

US00D640125S

(12) **United States Design Patent**
Rosenkranz et al.

(10) **Patent No.:** **US D640,125 S**

(45) **Date of Patent:** **** *Jun. 21, 2011**

(54) **WALL BRACKET**

(75) Inventors: **Mark E. Rosenkranz**, Parma, OH (US);
Nick E. Ciavarella, Seven Hills, OH
(US); **Richard A. Holmes**, Akron, OH
(US)

(73) Assignee: **Joseph S. Kanfer**, Richfield, OH (US)

(*) Notice: This patent is subject to a terminal disclaimer.

(**) Term: **14 Years**

(21) Appl. No.: **29/190,039**

(22) Filed: **Sep. 15, 2003**

(51) **LOC (9) Cl.** **08-05**

(52) **U.S. Cl.** **D8/373**

(58) **Field of Classification Search** D8/373,
D8/354, 363; 248/300, 309.1

See application file for complete search history.

(56) **References Cited**

U.S. PATENT DOCUMENTS

D321,885 S * 11/1991 Sheldrake D14/253

D372,189 S * 7/1996 Andis et al. D8/373

* cited by examiner

Primary Examiner — Holly Baynham

(74) *Attorney, Agent, or Firm* — Renner, Kenner, Greive,
Bobak, Taylor & Weber

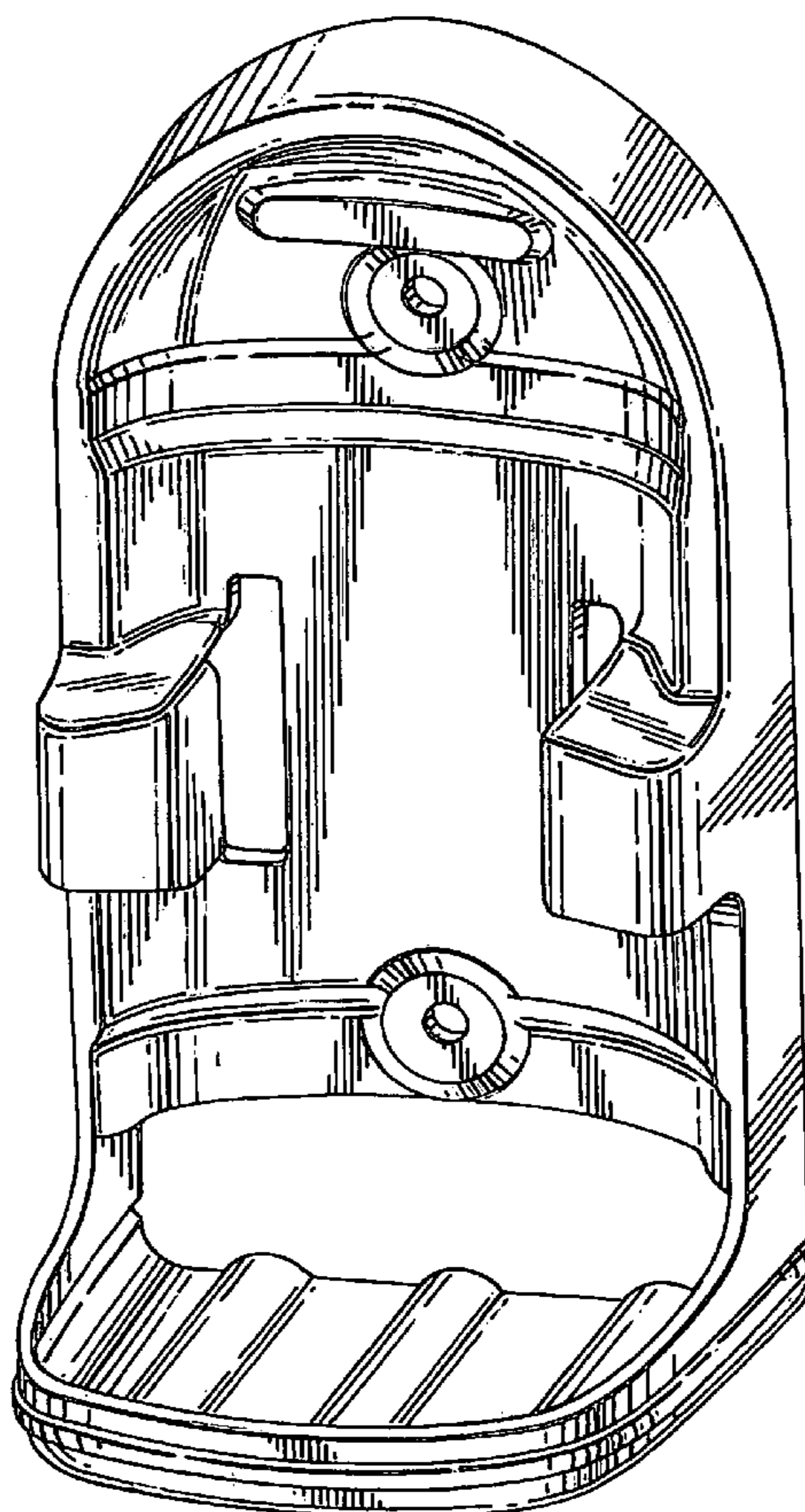
(57) **CLAIM**

We claim the ornamental design for a wall bracket, as shown and described.

DESCRIPTION

FIG. 1 is a perspective view of an ornamental design for a wall bracket according to the concepts of the present invention; FIG. 2 is a front elevational view thereof; FIG. 3 is a left side elevational view thereof with the right side elevational view being a mirror image of FIG. 2; FIG. 4 is a top plan view thereof; FIG. 5 is a bottom plan view thereof; FIG. 6 is a rear elevational view thereof; FIG. 7 is a sectional side elevational view cut along lines 7-7 of FIG. 2; and, FIG. 8 is a sectional top plan view cut along lines 8-8 of FIG. 2.

1 Claim, 7 Drawing Sheets



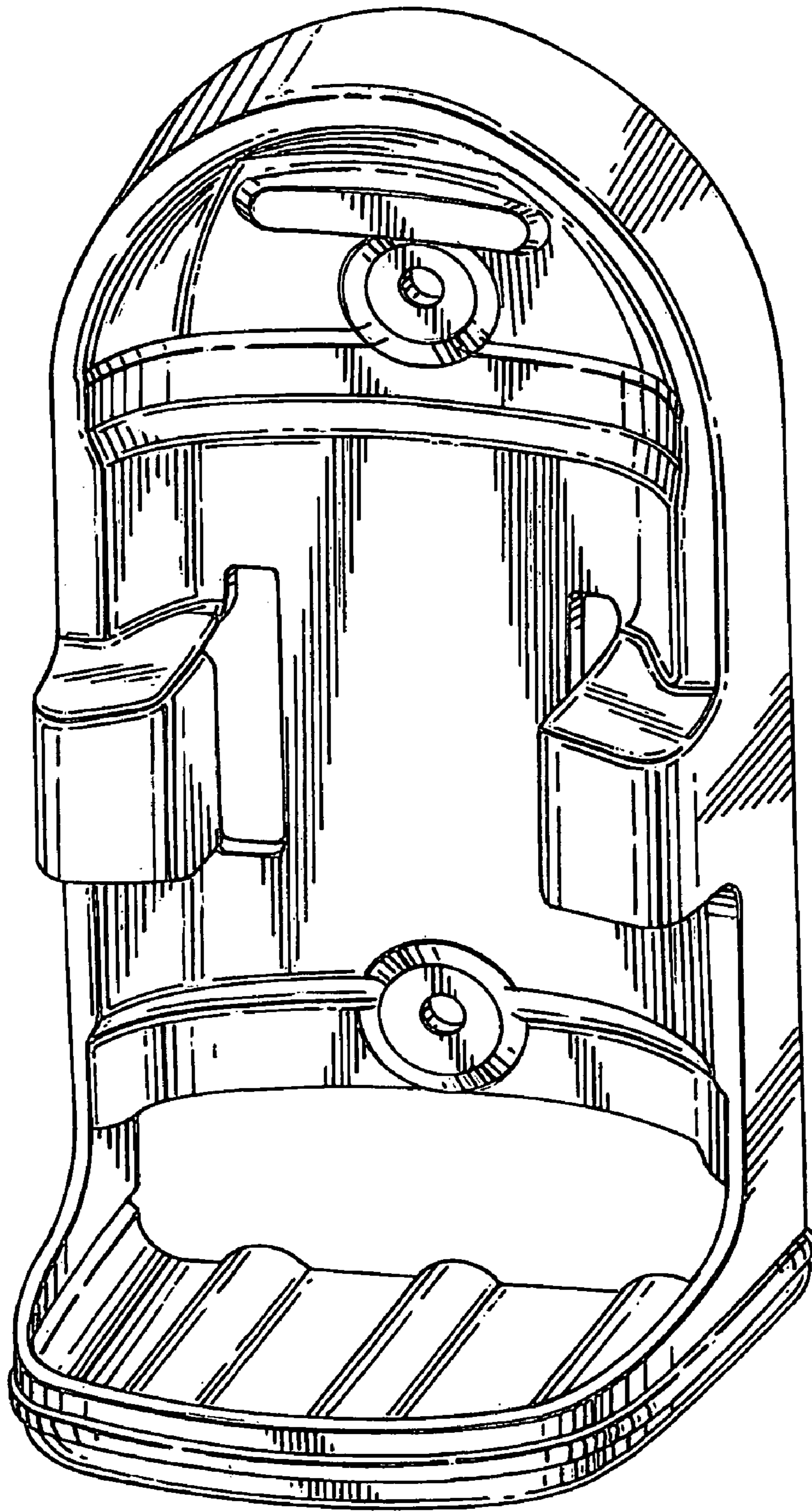


FIG. 1

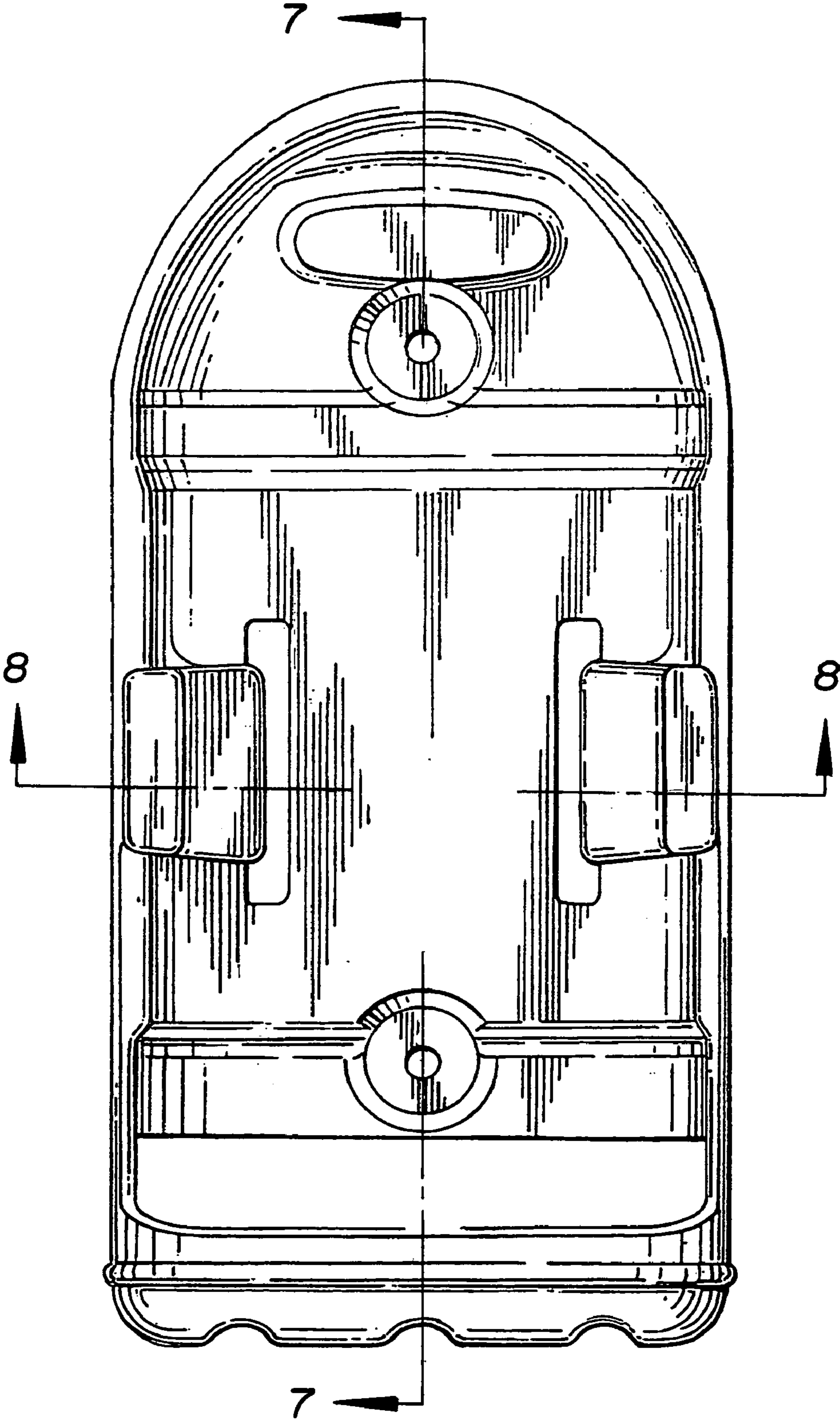


FIG. 2

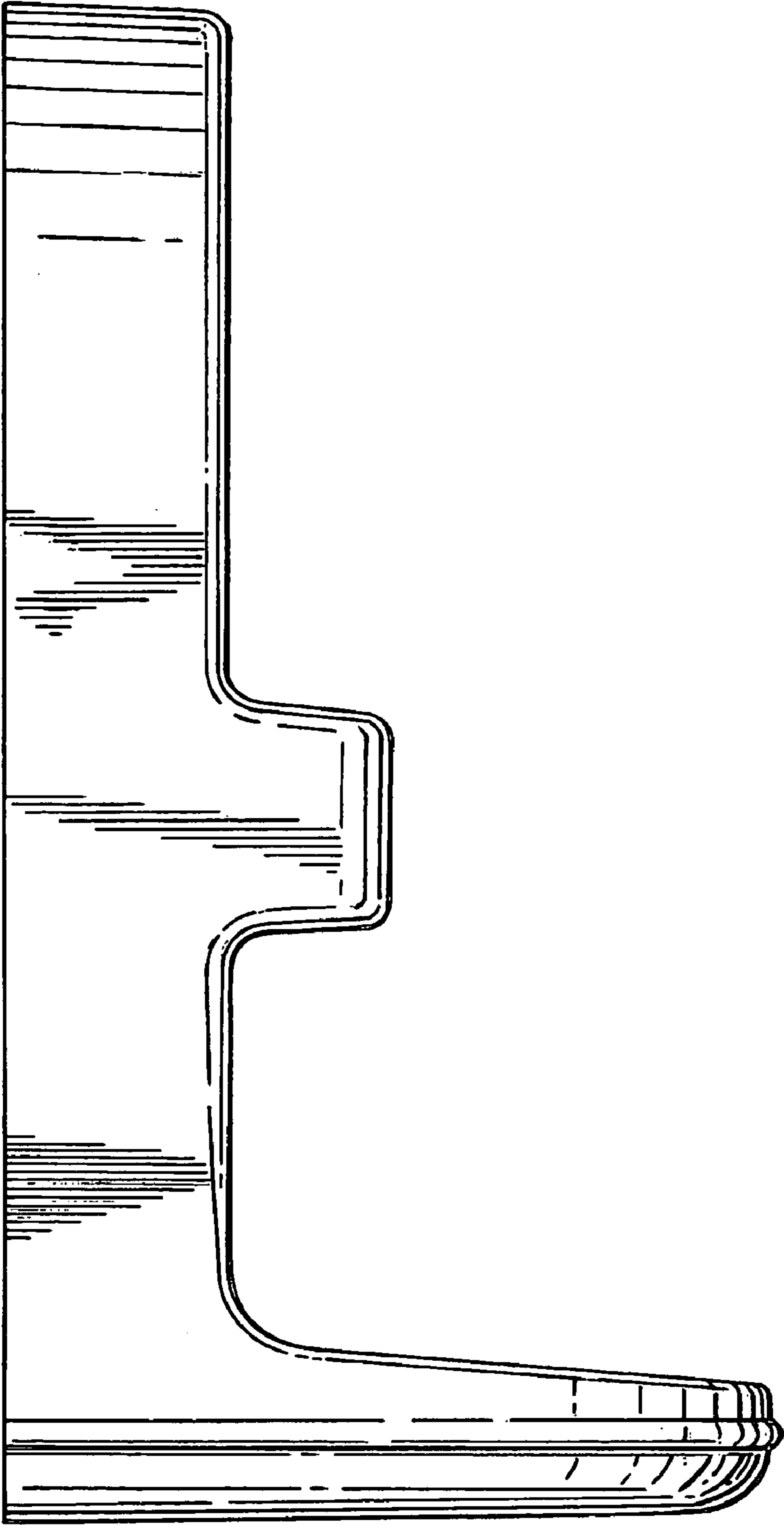


FIG. 3

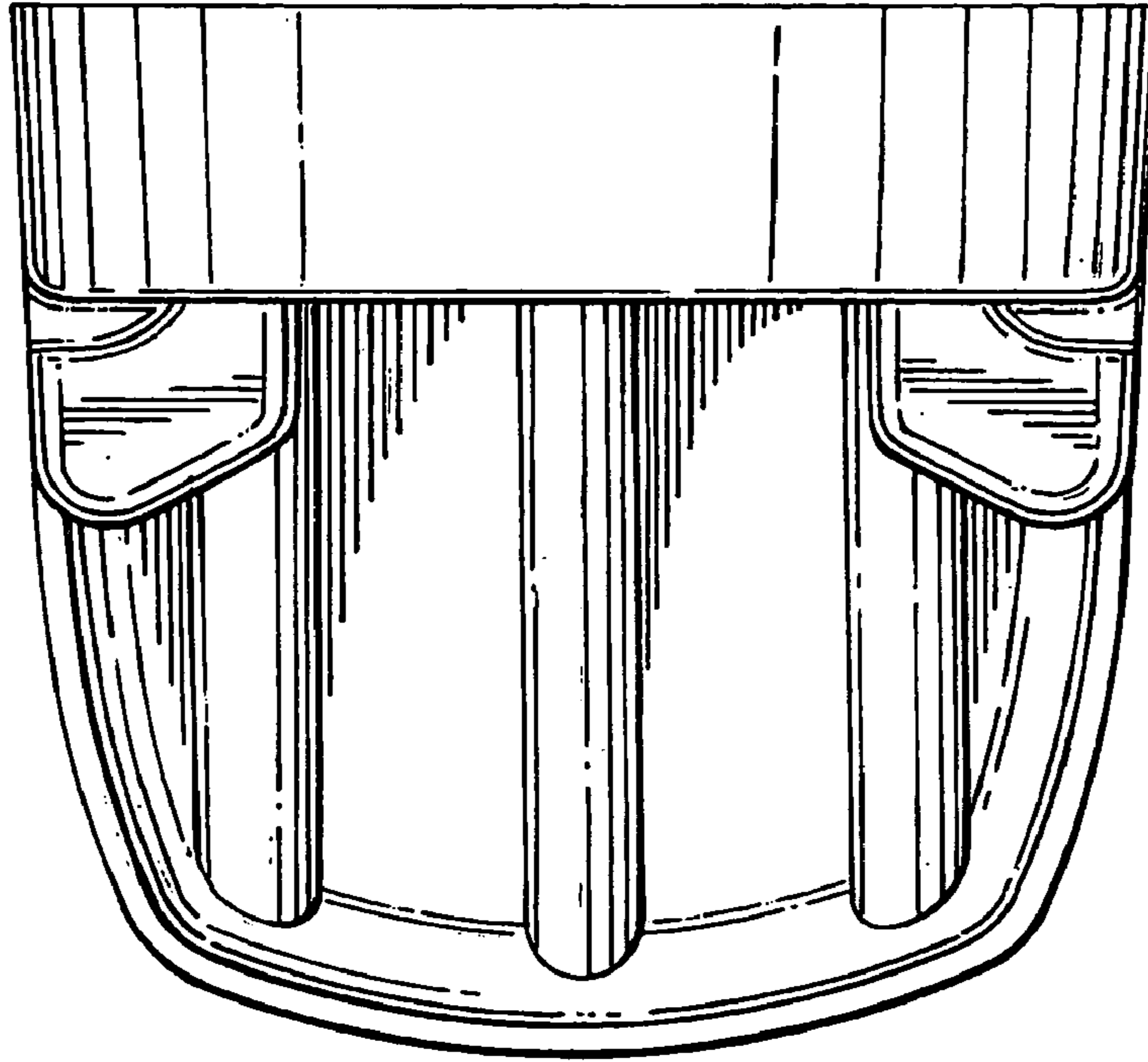


FIG. 4

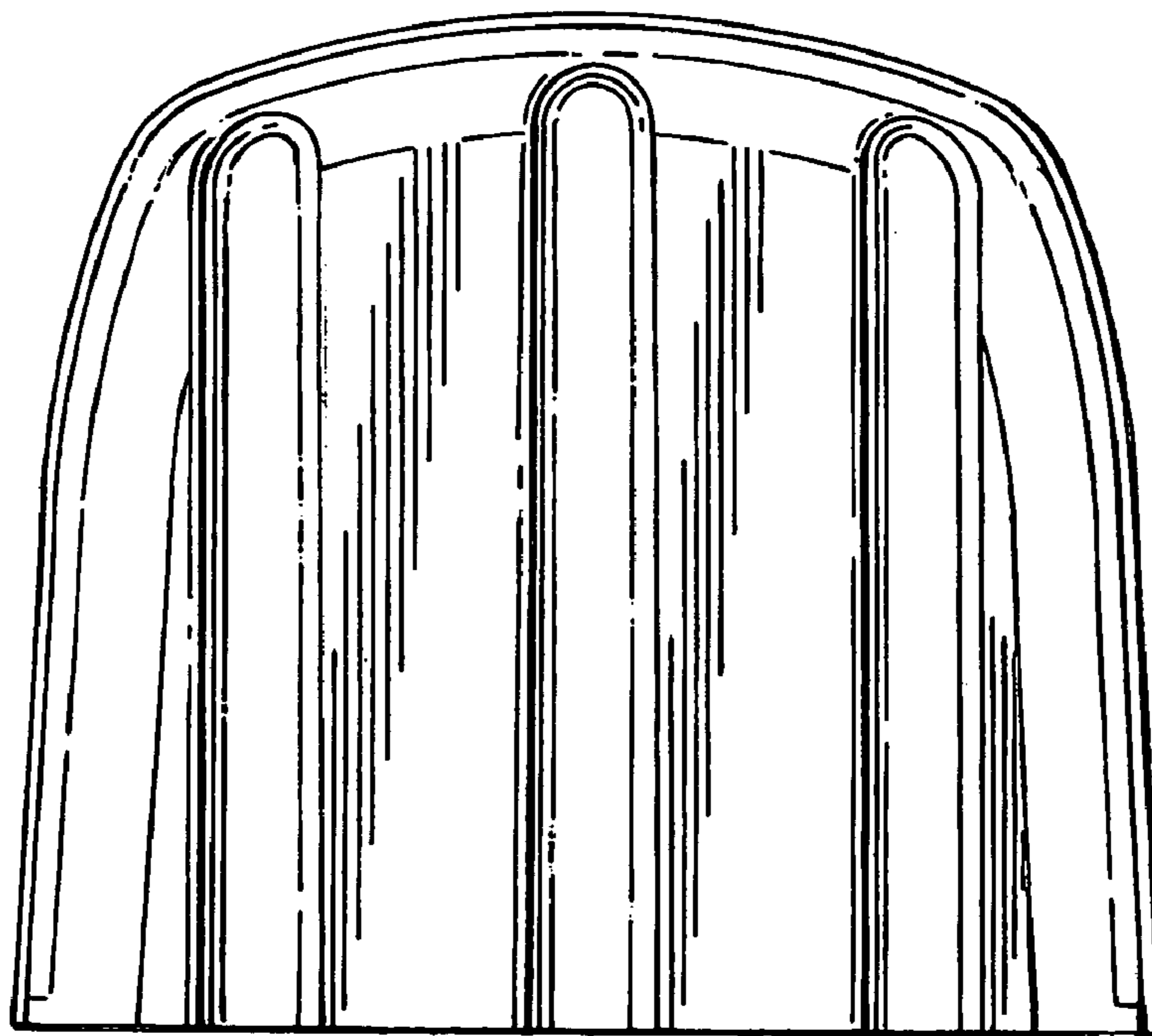


FIG. 5

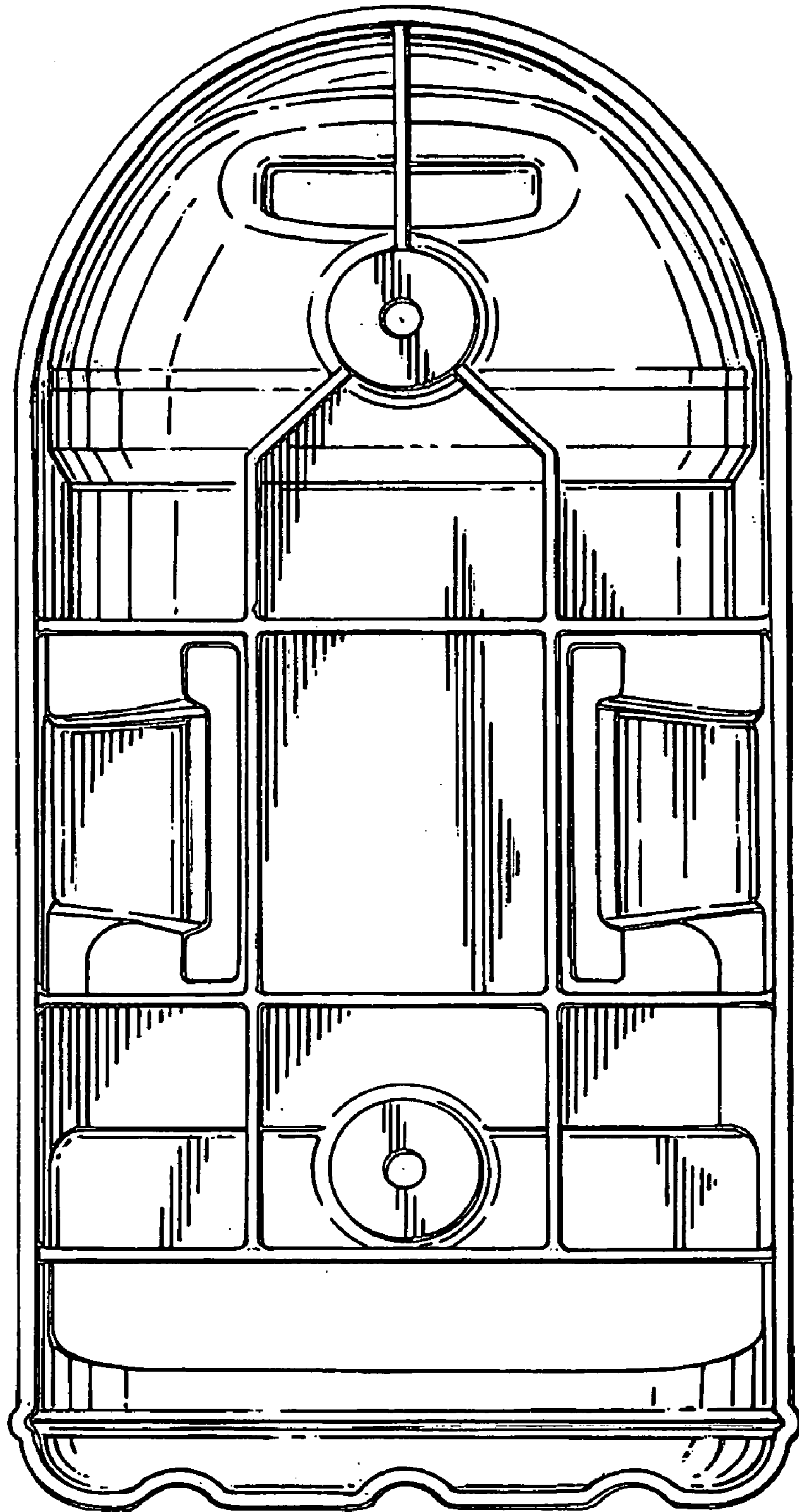


FIG. 6

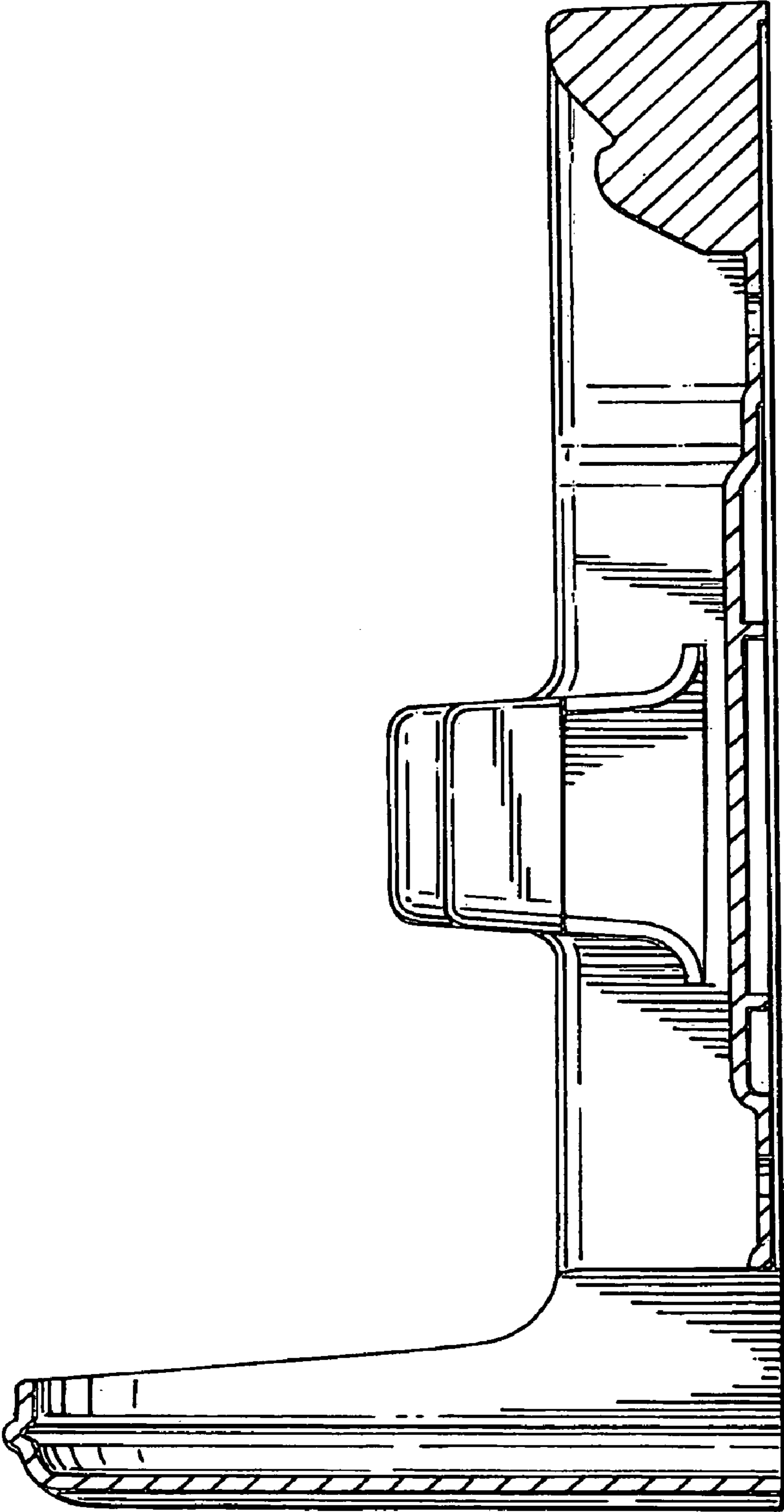


FIG. 7

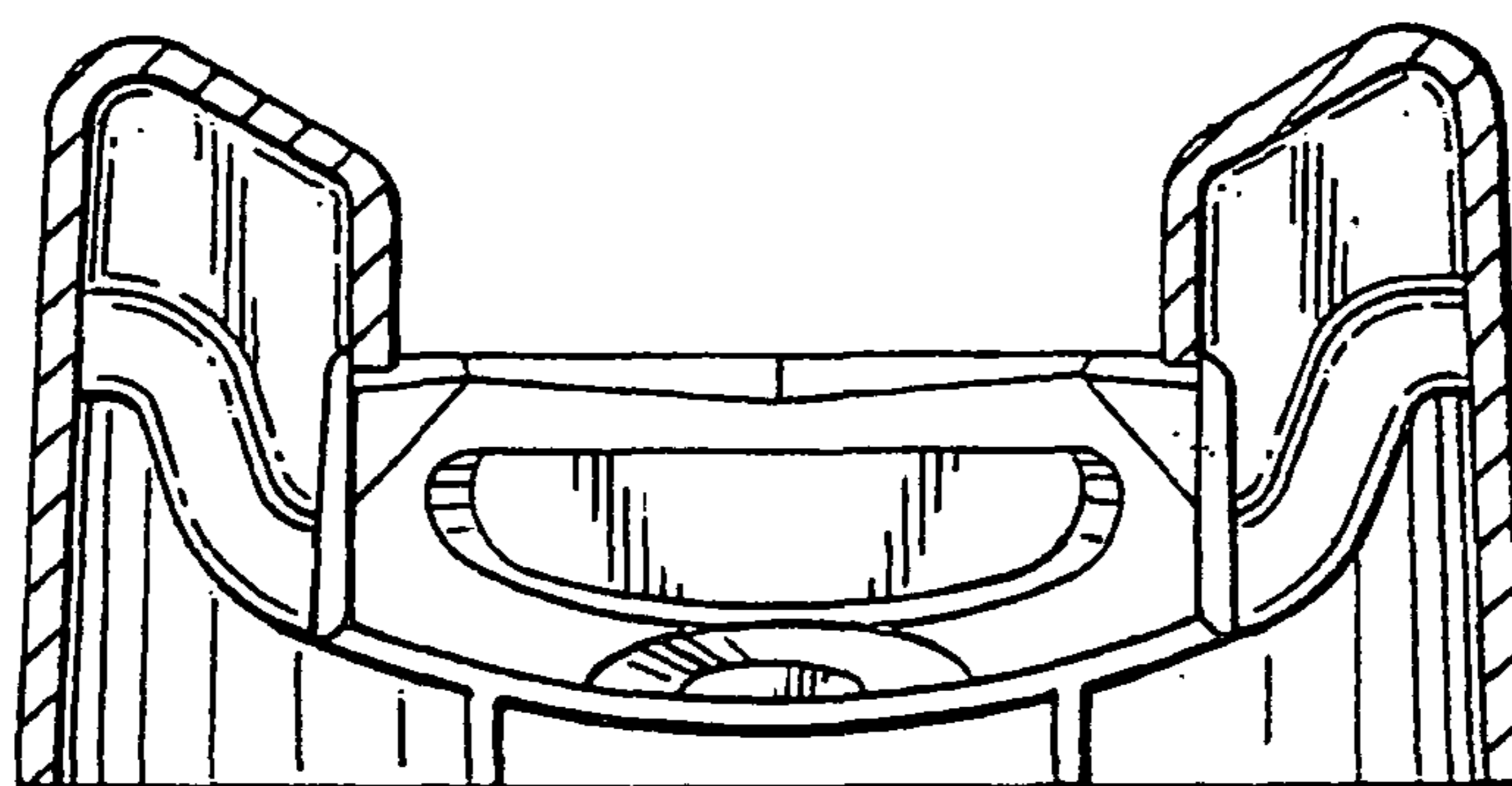


FIG. 8