



US00D640123S

(12) **United States Design Patent**
Stearns et al.

(10) **Patent No.:** **US D640,123 S**
(45) **Date of Patent:** **** Jun. 21, 2011**

(54) **ADJUSTABLE DISPLAY BRACKET**

(75) Inventors: **Jason E. Stearns**, Canaan, ME (US);
Derek Hewitt, Miami, FL (US); **Edith Wollin**, Miami, FL (US); **Elvis Peña**, Miami, FL (US)

(73) Assignee: **TracFone Wireless, Inc.**, Miami, FL (US)

(**) Term: **14 Years**

(21) Appl. No.: **29/372,726**

(22) Filed: **Jan. 3, 2011**

(51) **LOC (9) Cl.** **08-05**

(52) **U.S. Cl.** **D8/355; D8/377**

(58) **Field of Classification Search** **D8/355,**

D8/377; 211/94.01, 70.6; 312/333, 223.2
See application file for complete search history.

(56) **References Cited**

U.S. PATENT DOCUMENTS

580,655 A	4/1897	Thew
2,746,661 A	5/1956	Kaplan
2,987,195 A	3/1958	Smith
3,174,627 A	3/1965	Marschak
3,303,936 A	2/1967	Barnawell
3,468,426 A	9/1969	Loewy
3,765,344 A	10/1973	Ferdinand et al.
4,155,312 A	5/1979	Thorkildson
4,406,374 A	9/1983	Yedor
4,429,850 A	2/1984	Weber et al.
4,450,970 A	5/1984	Shepherd
4,523,722 A	6/1985	Cohen et al.
4,713,949 A	12/1987	Wilcox
4,723,747 A	2/1988	Karp et al.
4,752,010 A	6/1988	Holztrager
4,934,642 A	6/1990	Baron et al.
5,020,758 A	6/1991	Rawlyk
5,029,794 A	7/1991	Wolfe
5,185,971 A	2/1993	Johnson, Jr.
5,472,103 A	12/1995	Merl
5,509,541 A	4/1996	Merl

5,582,376 A	12/1996	Thompson
5,678,794 A	10/1997	Kump
5,758,959 A	6/1998	Sieczkowski
5,769,247 A	6/1998	Merl
5,833,337 A	11/1998	Kofstad
5,857,766 A	1/1999	Sieczkowski
6,076,788 A	6/2000	Akiyama
6,431,668 B1	8/2002	Reddicliffe
6,533,134 B1	3/2003	Menaged
6,575,100 B2	6/2003	Faucher et al.
6,601,933 B1	8/2003	Greenwald
6,615,992 B1*	9/2003	Lauchner et al. 211/26
6,622,875 B2	9/2003	Humphrey

(Continued)

FOREIGN PATENT DOCUMENTS

WO WO/99/42020 8/1999

Primary Examiner — Holly Baynham

(74) *Attorney, Agent, or Firm* — Greenberg Traurig, P.A.

(57) **CLAIM**

What is claimed is the ornamental design for an adjustable display bracket, as shown and described.

DESCRIPTION

FIG. 1 is a top front perspective view of the ornamental design;

FIG. 2 is a rear side perspective view thereof;

FIG. 3 is a bottom view thereof;

FIG. 4 is a front elevational view thereof;

FIG. 5 is a top view thereof;

FIG. 6 is a rear side elevational view thereof;

FIG. 7 is a left side view thereof;

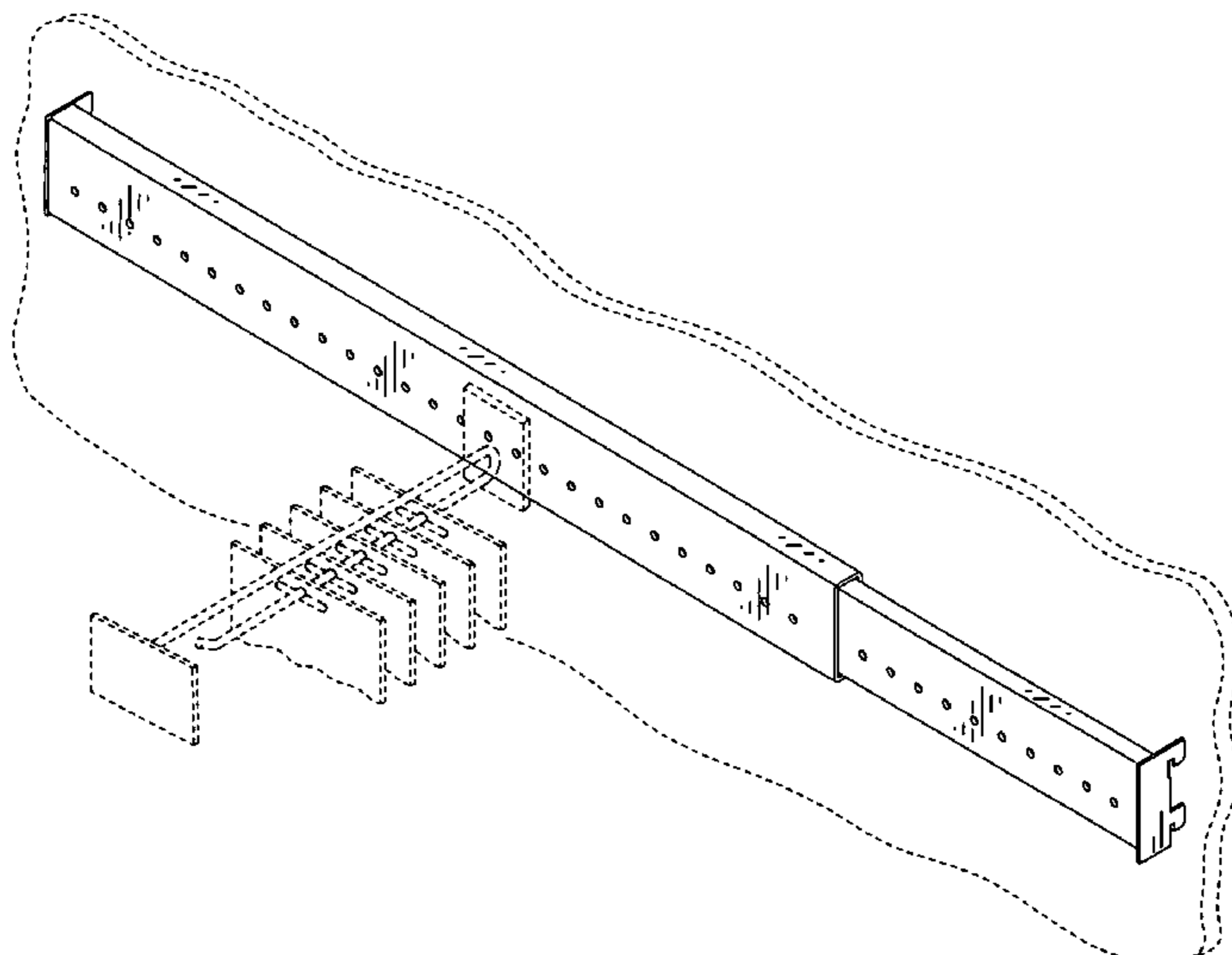
FIG. 8 is a right side view thereof;

FIG. 9 is a front perspective view showing the segments separated; and,

FIG. 10 is a rear perspective view showing the segments separated.

The broken lines shown in FIG. 1 are for the purpose of illustrating environment and do not form part of the claimed design.

1 Claim, 3 Drawing Sheets



US D640,123 S

Page 2

U.S. PATENT DOCUMENTS

6,644,480	B2 *	11/2003	Kaminski	211/26	7,780,254	B2 *	8/2010	Wang et al.	312/334.7
6,666,340	B2 *	12/2003	Basinger et al.	211/26	2003/0052580	A1 *	3/2003	Dobler et al.	312/334.44
6,736,277	B2 *	5/2004	Lauchner et al.	211/26	2006/0186065	A1	8/2006	Ciesik		
6,962,397	B2	11/2005	Dobler et al.			2007/0215773	A1	9/2007	Kerr, Jr.		
D554,485	S *	11/2007	Dubon	D8/374	2008/0203257	A1	8/2008	Bartholomew		
7,537,189	B2	5/2009	Jung et al.			2008/0308515	A1	12/2008	Lange et al.		
7,591,385	B2	9/2009	Brooks			2009/0266960	A1	10/2009	Moran-Grover et al.		
7,673,841	B2	3/2010	Wronski			2010/0133218	A1	6/2010	Yang et al.		

* cited by examiner

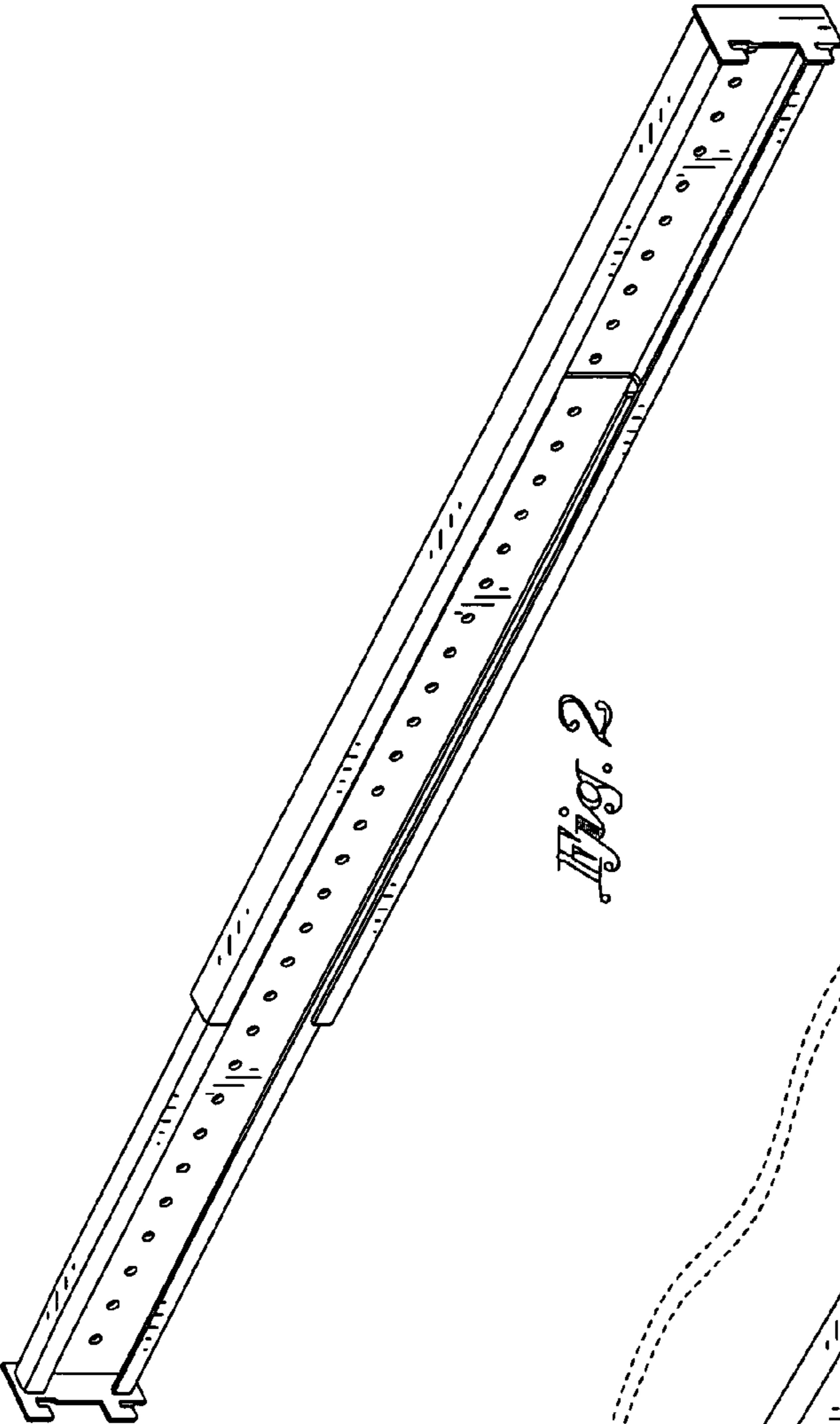


Fig. 2

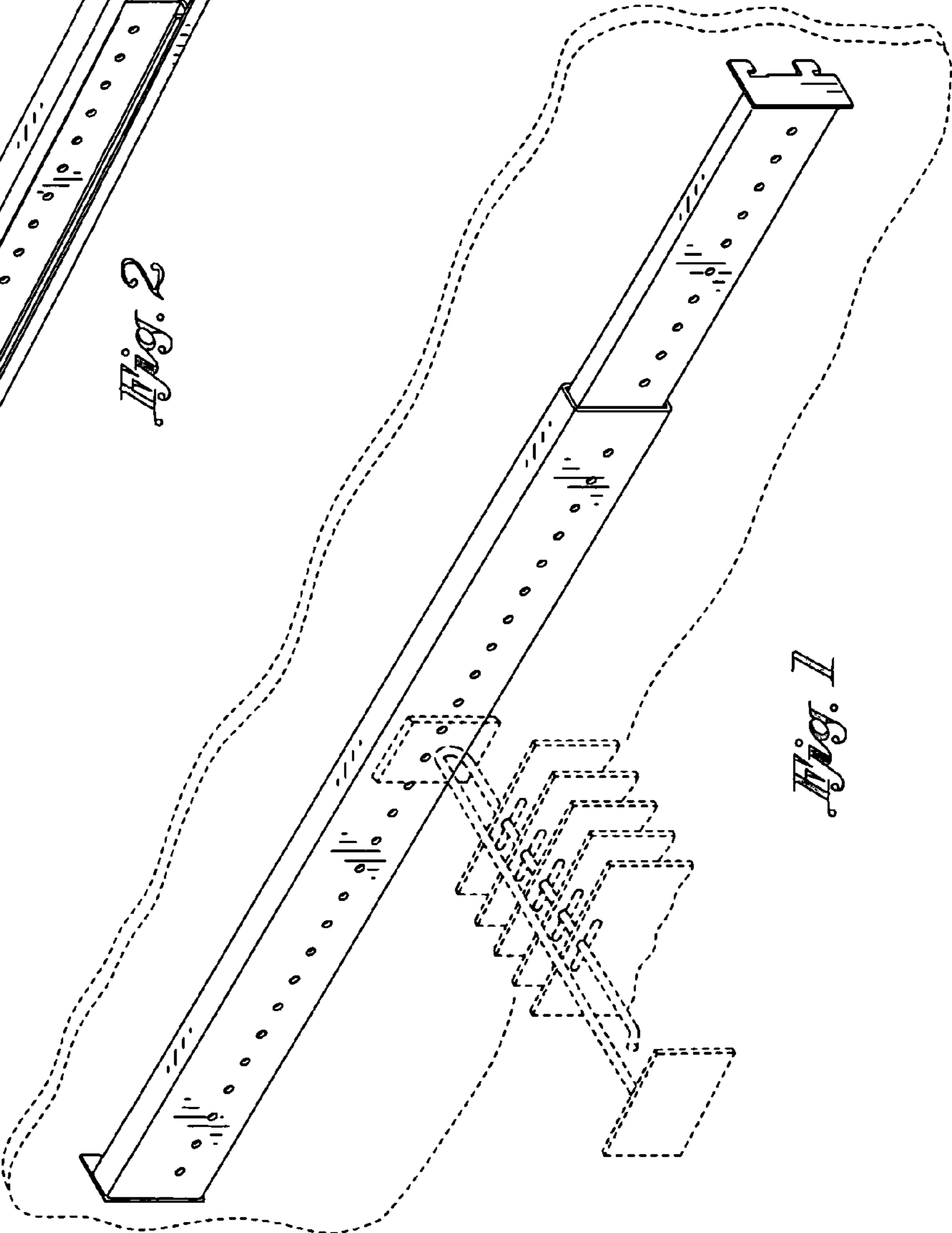


Fig. 1



Fig. 3

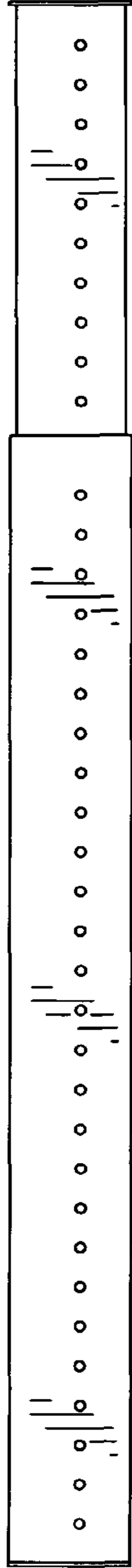


Fig. 4

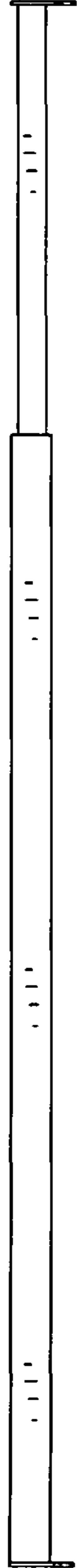


Fig. 5

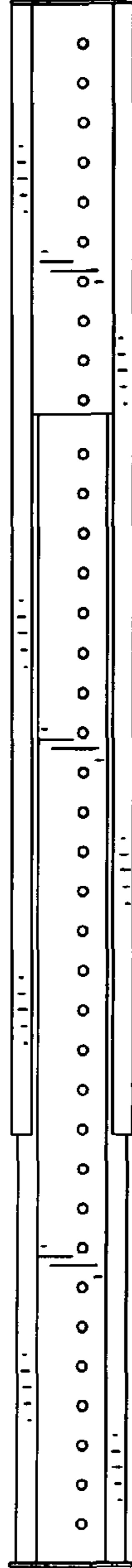


Fig. 6

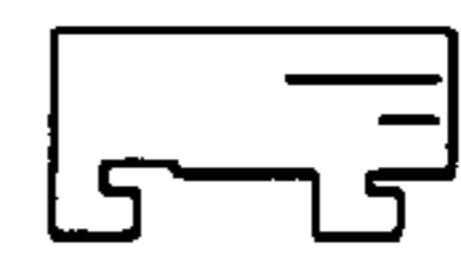


Fig. 7

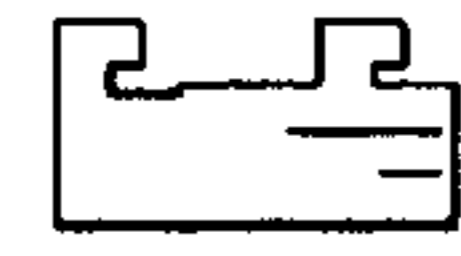


Fig. 8

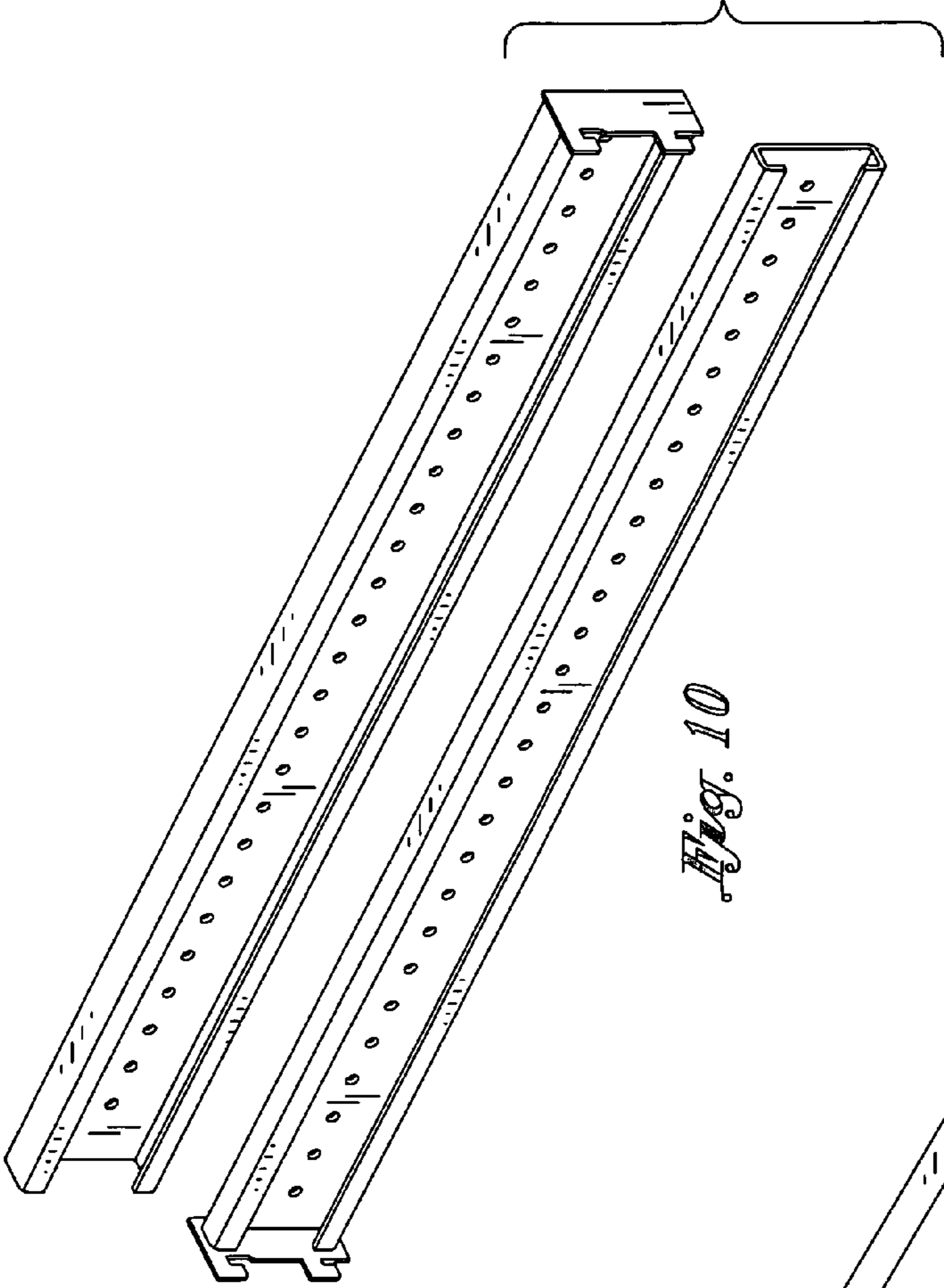


Fig. 10

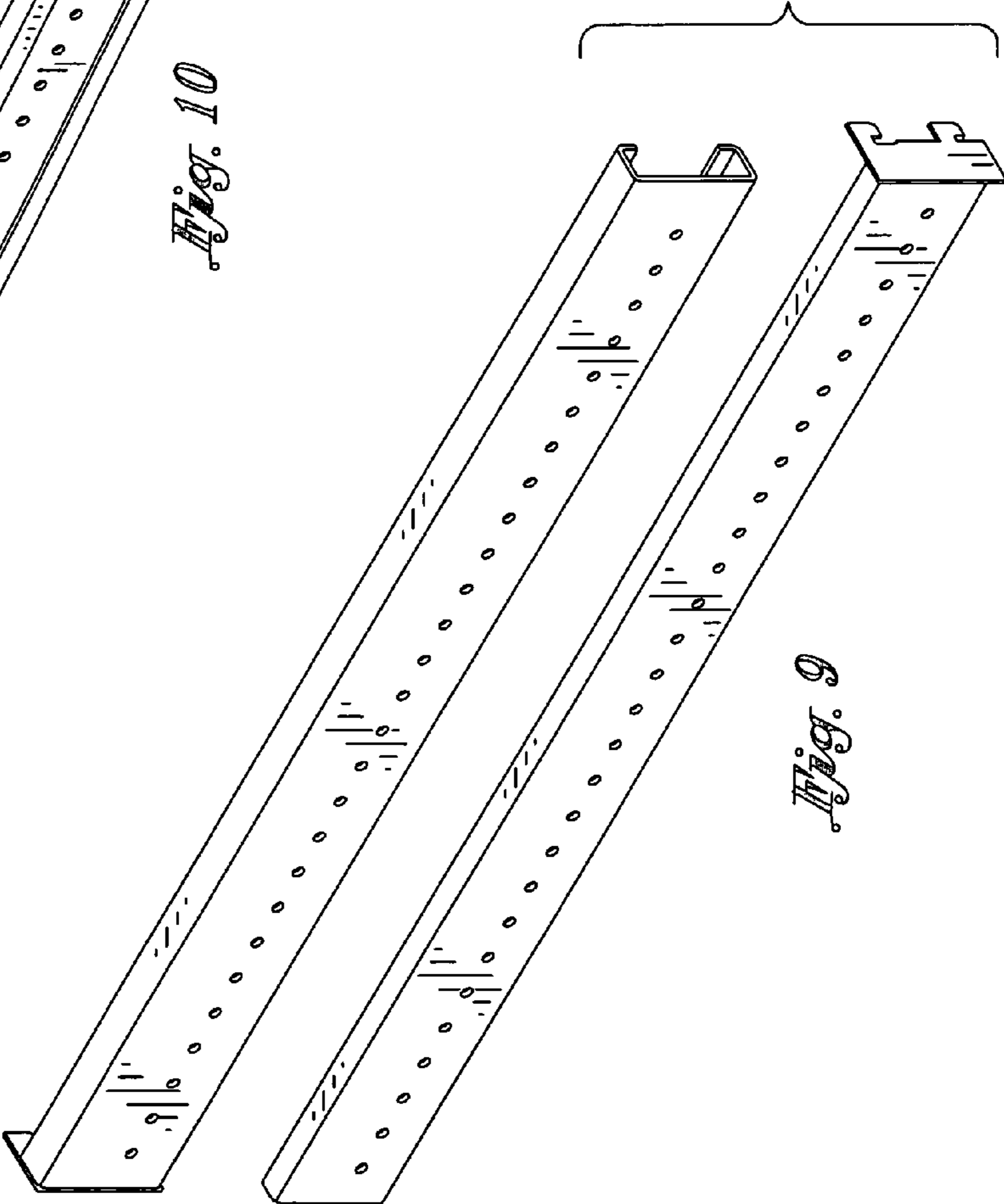


Fig. 9