



US00D640121S

(12) **United States Design Patent**
Owens

(10) **Patent No.:** **US D640,121 S**

(45) **Date of Patent:** **** Jun. 21, 2011**

(54) **CABINET HANDLE**

(75) **Inventor:** **Ashley Marie Owens**, Bossier City, LA (US)

(73) **Assignee:** **Hardware Resources, Inc.**, Bossier City, LA (US)

(**) **Term:** **14 Years**

(21) **Appl. No.:** **29/370,583**

(22) **Filed:** **Aug. 7, 2010**

(51) **LOC (9) Cl.** **08-06**

(52) **U.S. Cl.** **D8/317**

(58) **Field of Classification Search** D8/317, D8/300, 303, 305, 311, 312, 314, 315, 316, D8/318-321, DIG. 1, DIG. 2, DIG. 10; D5/53; D6/524, 533, 549; D7/393, 394; 16/110.1, 16/412, 415, 416, 419, 420, 443, 444, 445, 16/446; 211/16, 18, 182, 183

See application file for complete search history.

(56) **References Cited**

U.S. PATENT DOCUMENTS

D326,992 S *	6/1992	Clayton	D8/317
D373,067 S *	8/1996	De'Armond	D8/317
D411,794 S *	7/1999	O'Neil	D8/305
D422,878 S *	4/2000	Marshall et al.	D8/317

D471,074 S *	3/2003	Fields	D8/315
D563,193 S *	3/2008	Lowe	D8/307
D575,622 S *	8/2008	Krumpe	D8/315
D583,569 S *	12/2008	Claudat	D5/53

* cited by examiner

Primary Examiner — Stella M Reid

Assistant Examiner — Derrick Holland

(74) *Attorney, Agent, or Firm* — Schultz & Associates, P.C.

(57) **CLAIM**

The ornamental design for a cabinet handle, as shown and described.

DESCRIPTION

FIG. 1 is a top isometric view of a cabinet handle in accordance with the present invention.

FIG. 2 is a longitudinal side elevation view of the cabinet handle in accordance with the present invention.

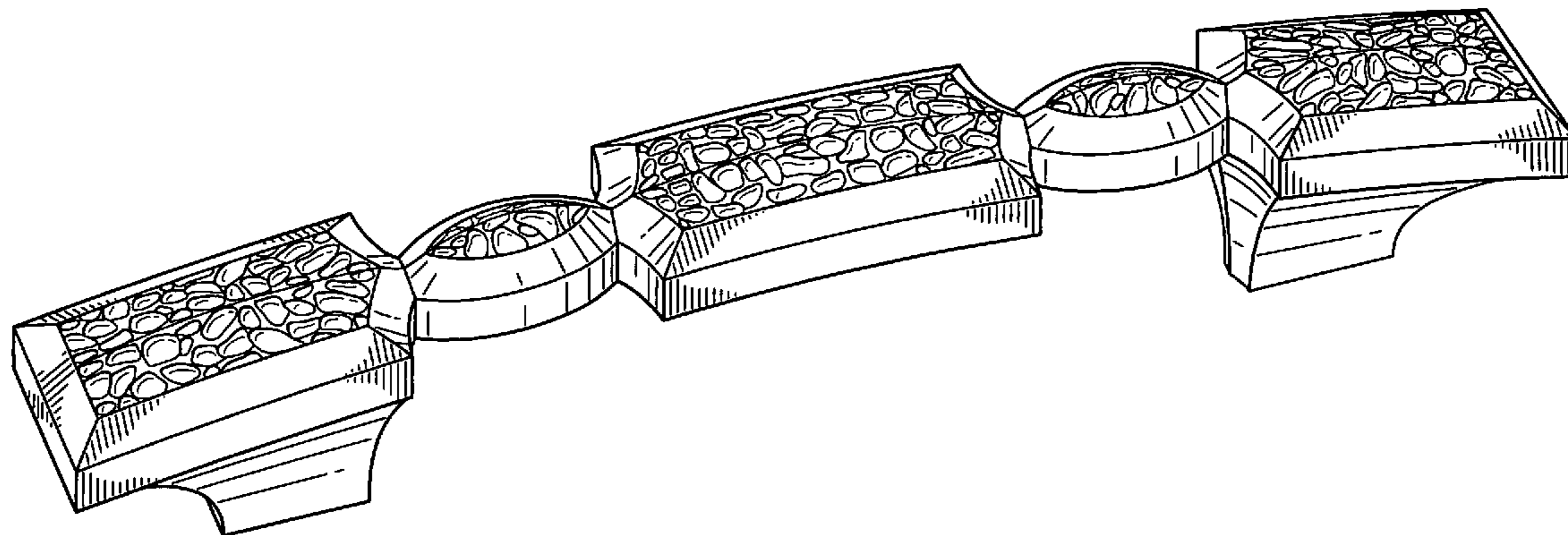
FIG. 3 is a top view of the cabinet handle in accordance with the present invention.

FIG. 4 is a lateral side elevation view of the cabinet handle in accordance with the present invention; and,

FIG. 5 is a bottom view of the cabinet handle in accordance with the present invention.

The broken lines shown represent unclaimed subject matter and form no part of the claimed design.

1 Claim, 2 Drawing Sheets



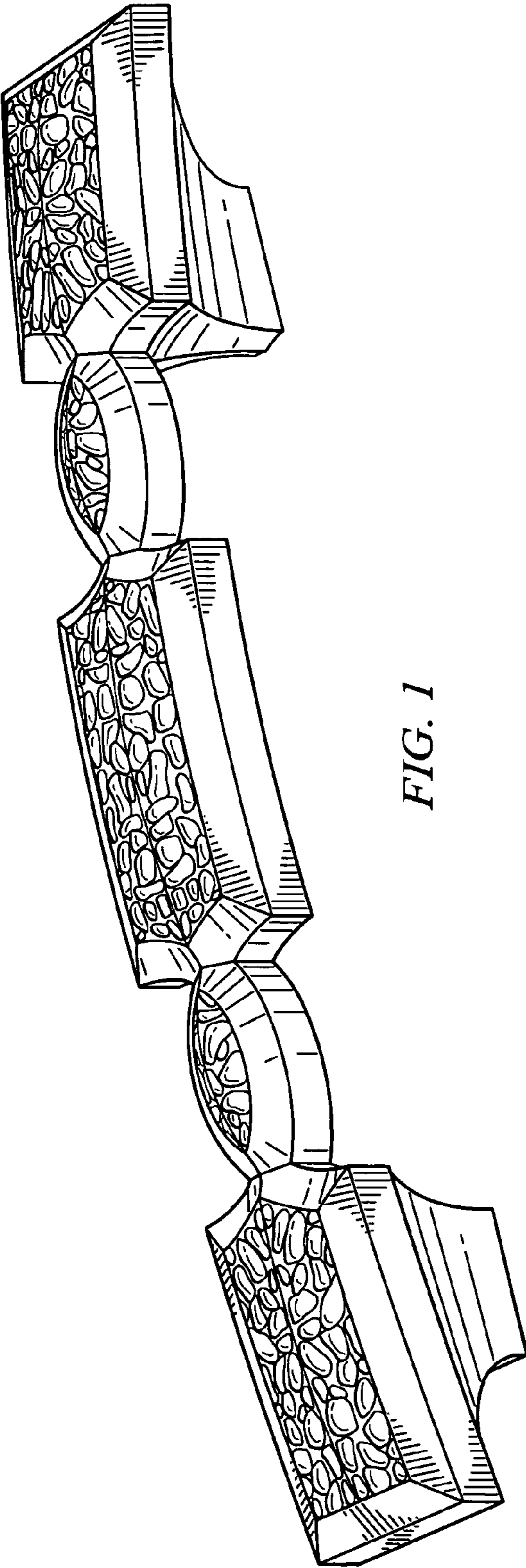


FIG. 1

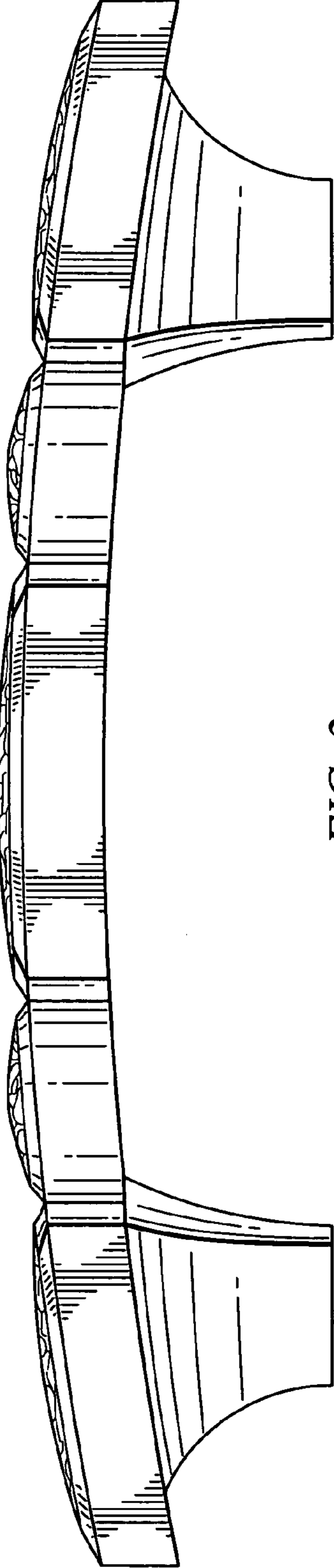


FIG. 2

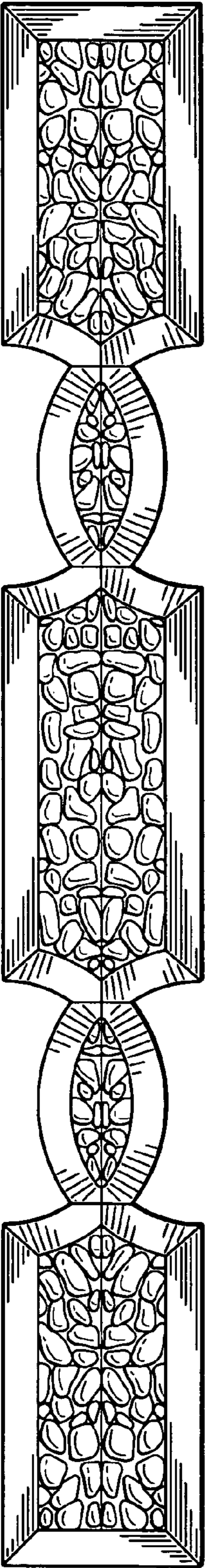


FIG. 3

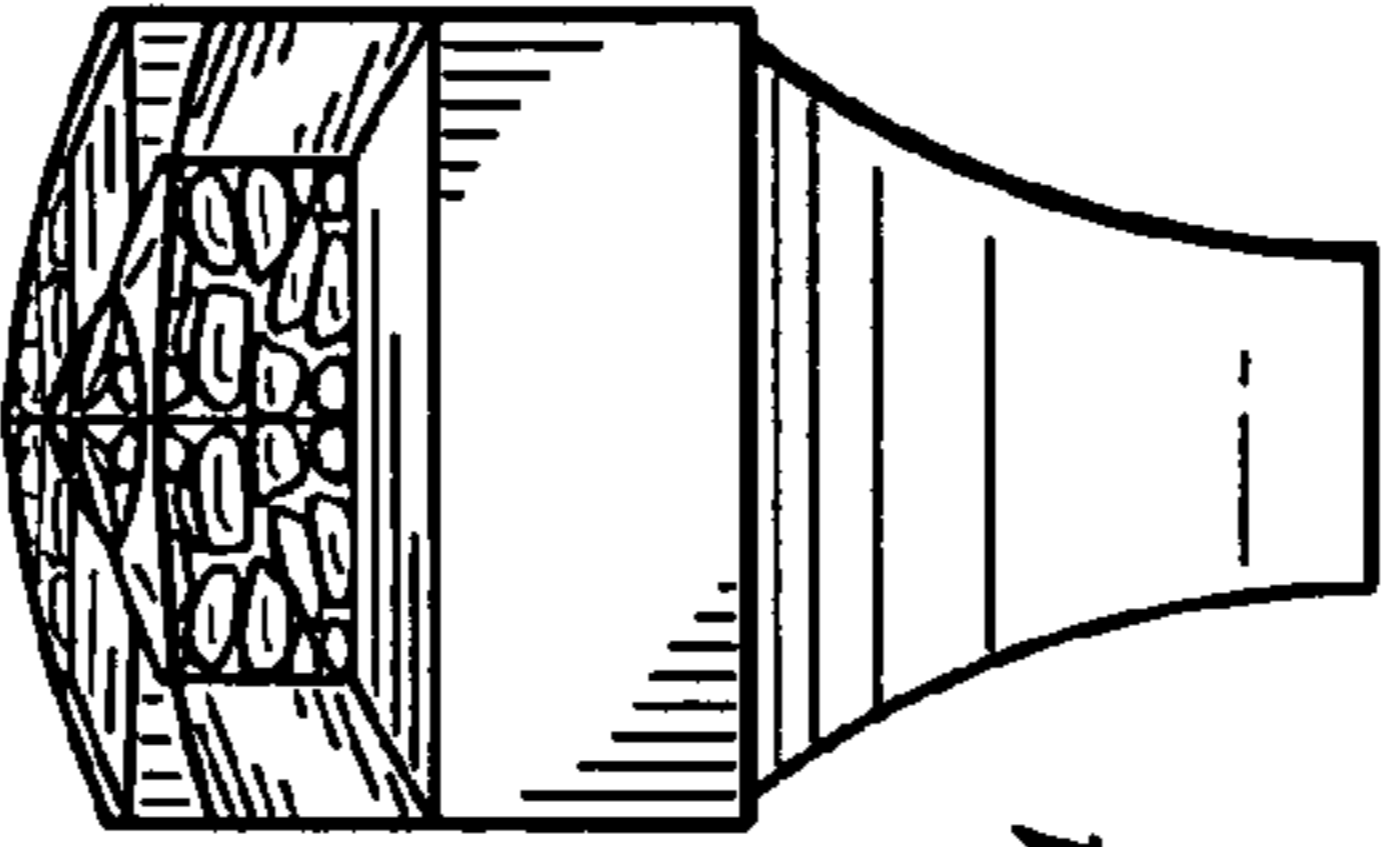


FIG. 4

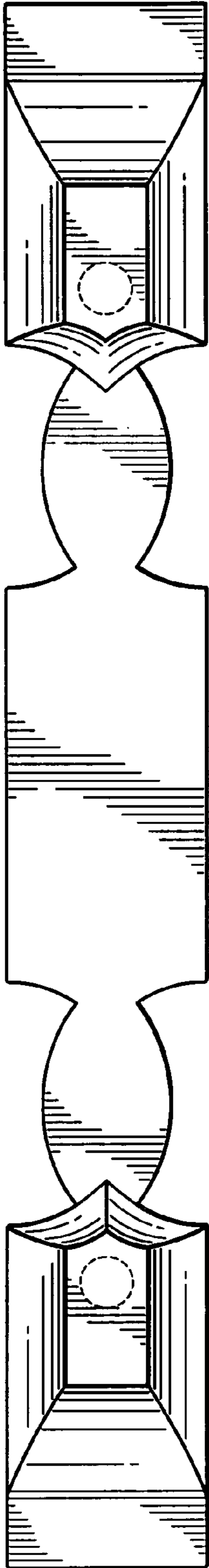


FIG. 5