



US00D640120S

(12) **United States Design Patent**
Zorovich et al.

(10) **Patent No.:** **US D640,120 S**
(45) **Date of Patent:** **** Jun. 21, 2011**

(54) **REMOVAL TOOL**

(75) Inventors: **Kenneth D. Zorovich**, Hoboken, NJ (US); **Yos Kumthampinij**, Edgewater, NJ (US); **John C. Earle**, Annapolis, MD (US)

(73) Assignee: **Propeller Inc.**, Hoboken, NJ (US)

(**) Term: **14 Years**

(21) Appl. No.: **29/361,010**

(22) Filed: **May 4, 2010**

(51) **LOC (9) Cl.** **08-05**

(52) **U.S. Cl.** **D8/107**

(58) **Field of Classification Search** D8/107, D8/14, 83, 300, 303, 310, 352, 499; D1/105, D1/199; D7/393, 672; D12/179; D15/90; D23/238, 242; 16/110.1, 111.1, 414, 415, 16/417, 433, 441; 62/356; 249/91, 92, 93; 425/117, 118, 124, 126.2, 436 R

See application file for complete search history.

(56) **References Cited**

U.S. PATENT DOCUMENTS

2,288,004	A	6/1942	Stemme	
2,946,207	A	7/1960	Hulterstrum	
4,239,175	A	12/1980	Straubinger	
4,352,830	A	10/1982	Billett et al.	
D269,578	S *	7/1983	Straubinger	D7/672
4,392,803	A	7/1983	Cross et al.	
D271,464	S *	11/1983	Carlson	D8/301
D334,828	S *	4/1993	Kiyokane	D1/105
D336,946	S *	6/1993	Levien	D23/242
D348,602	S *	7/1994	Carsello	D8/310

5,354,191	A	10/1994	Bobis	
D386,062	S *	11/1997	Quick	D8/107
D390,335	S *	2/1998	Carrick et al.	D1/102
D430,696	S *	9/2000	Borders	D26/113
6,190,226	B1	2/2001	Conconi	
D438,444	S *	3/2001	Tor	D8/107
D498,719	S *	11/2004	Yao	D12/179
D530,588	S *	10/2006	Wang	D8/107
D543,088	S *	5/2007	Ricereto	D8/310
D592,036	S *	5/2009	Domin	D8/307

OTHER PUBLICATIONS

U.S. Appl. No. 12/321,237, filed Jan. 16, 2009 titled Method and Apparatus for Making Frozen Comestibles.

* cited by examiner

Primary Examiner — Stella Reid

Assistant Examiner — Derrick Holland

(74) *Attorney, Agent, or Firm* — Greenberg Traurig, LLP

(57) **CLAIM**

The ornamental design for a removal tool, as shown and described.

DESCRIPTION

FIG. 1 is a perspective view of a removal tool showing our new design;

FIG. 2 is a top plan view thereof;

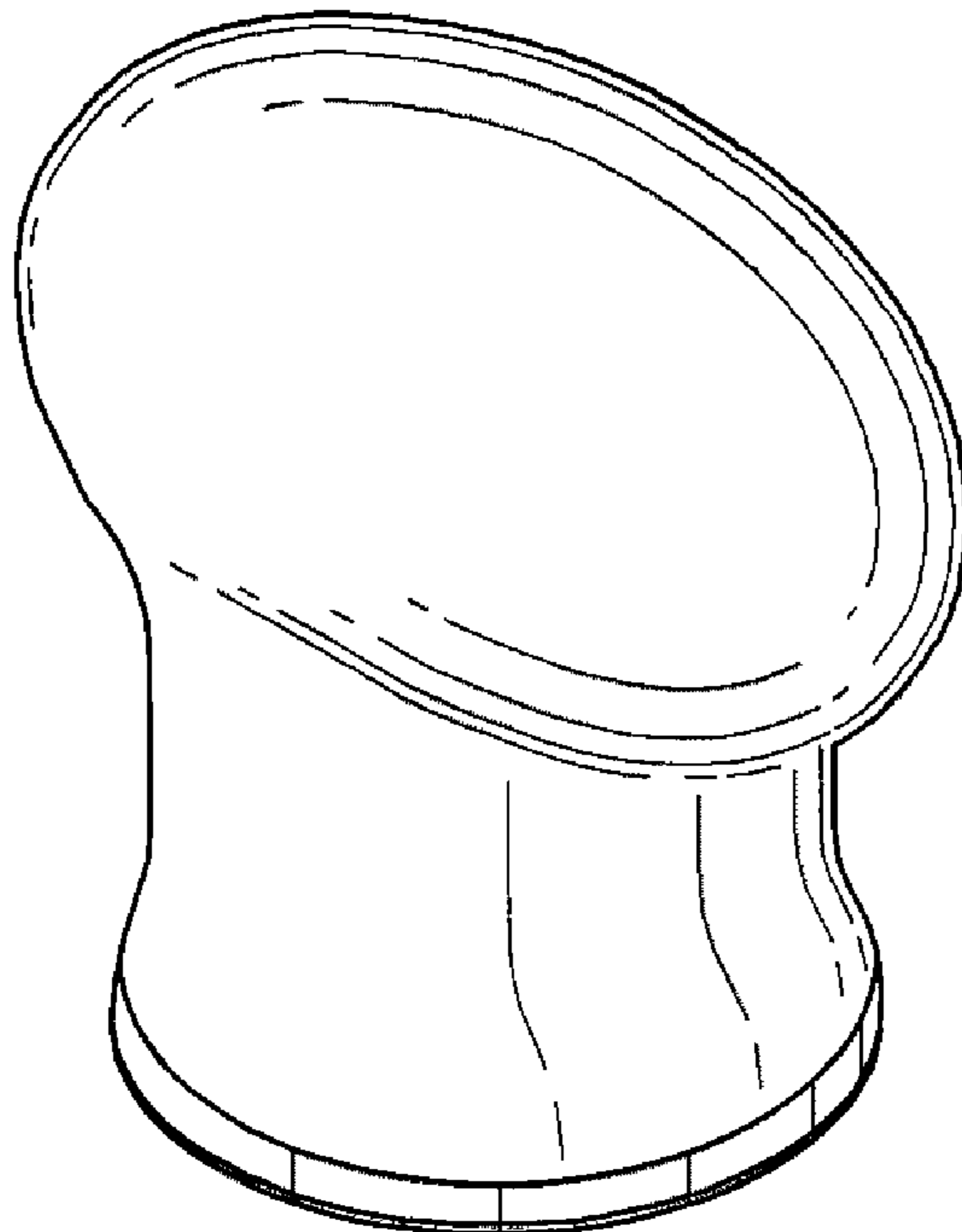
FIG. 3 is a left side elevational view thereof, the right side elevational view being identical to FIG. 3;

FIG. 4 is a front elevational view thereof, the rear elevational view being identical to FIG. 4; and,

FIG. 5 is a bottom plan view thereof.

The broken lines shown represent unclaimed subject matter and form no part of the claimed design.

1 Claim, 2 Drawing Sheets



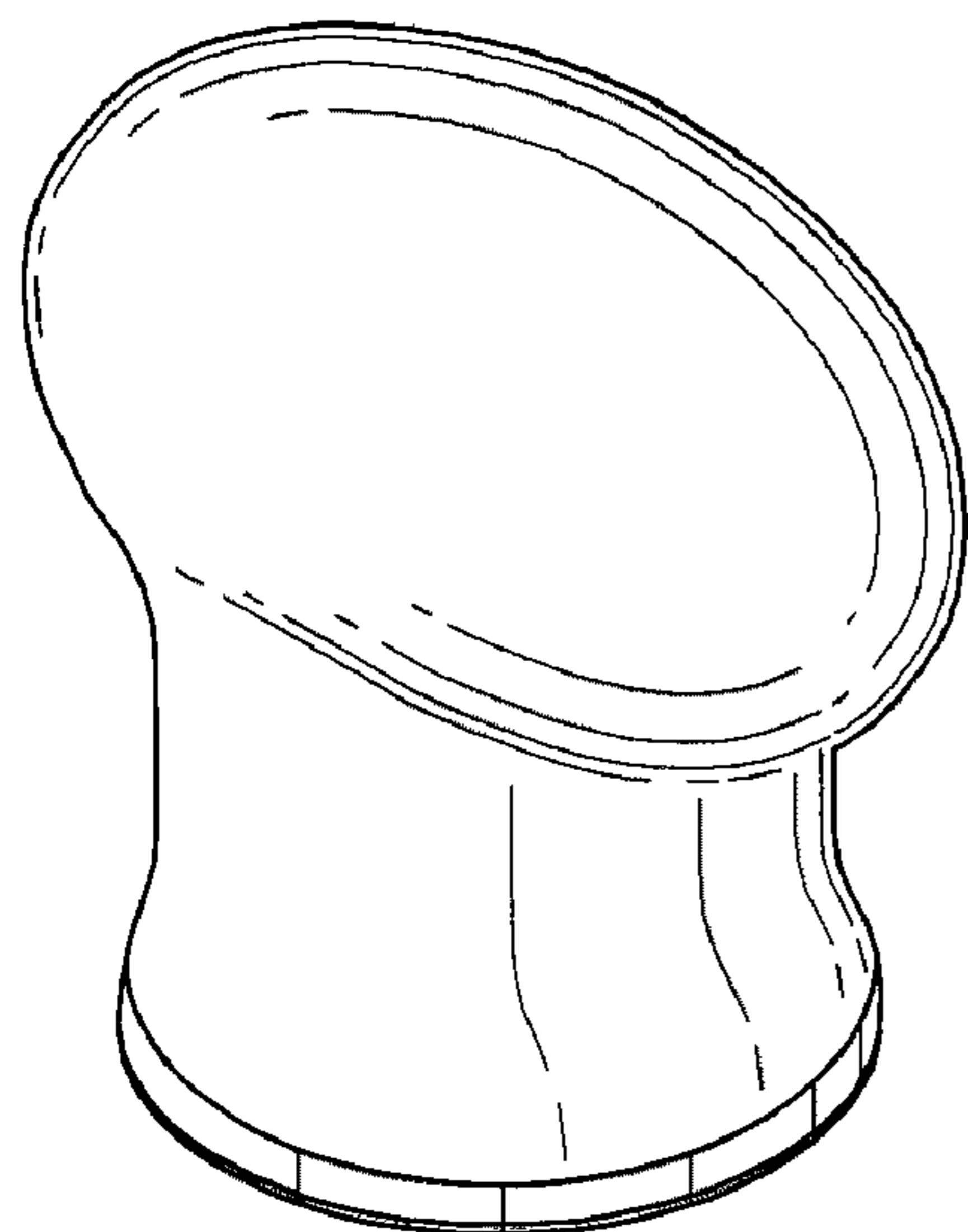


FIG. 1

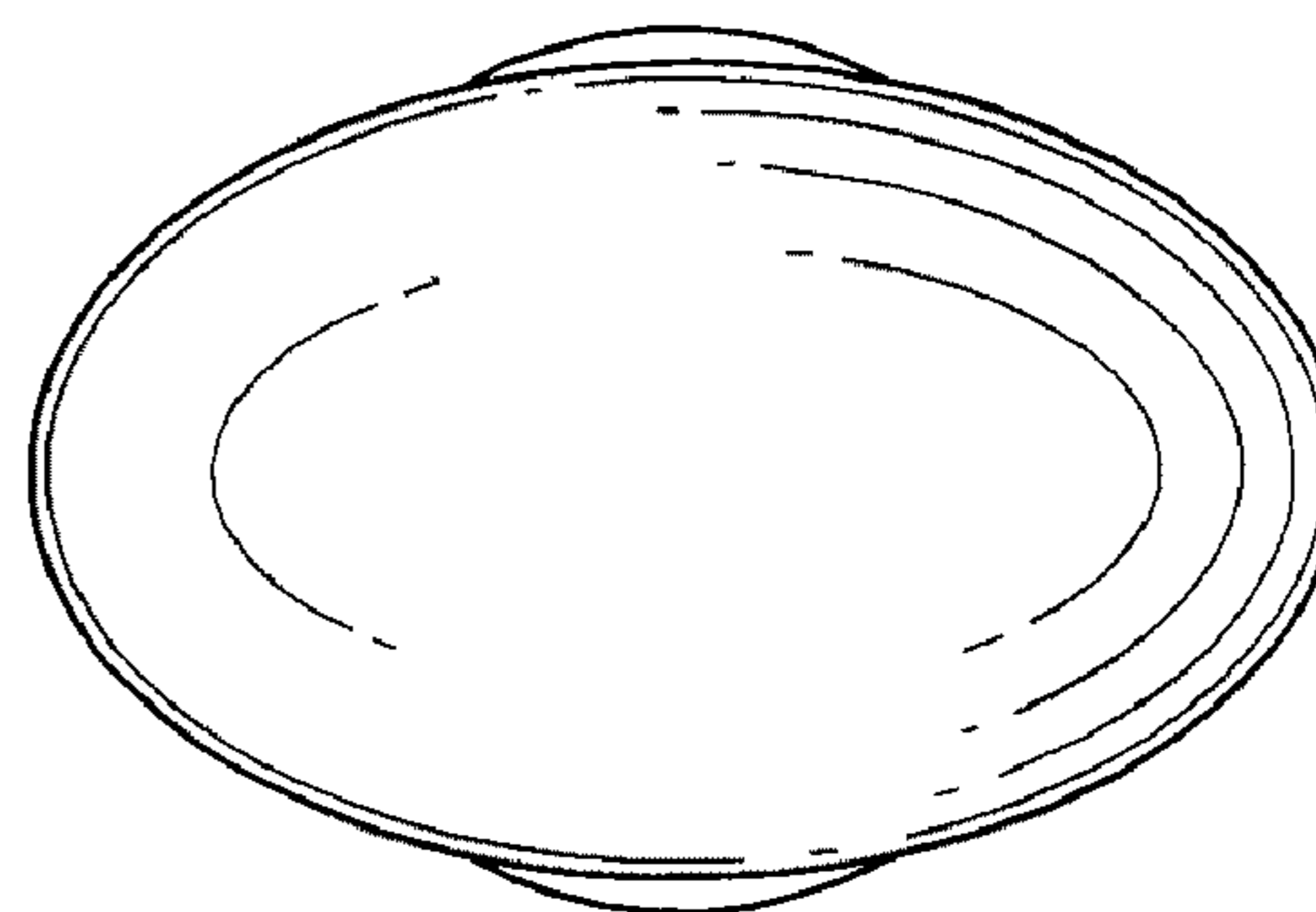


FIG. 2

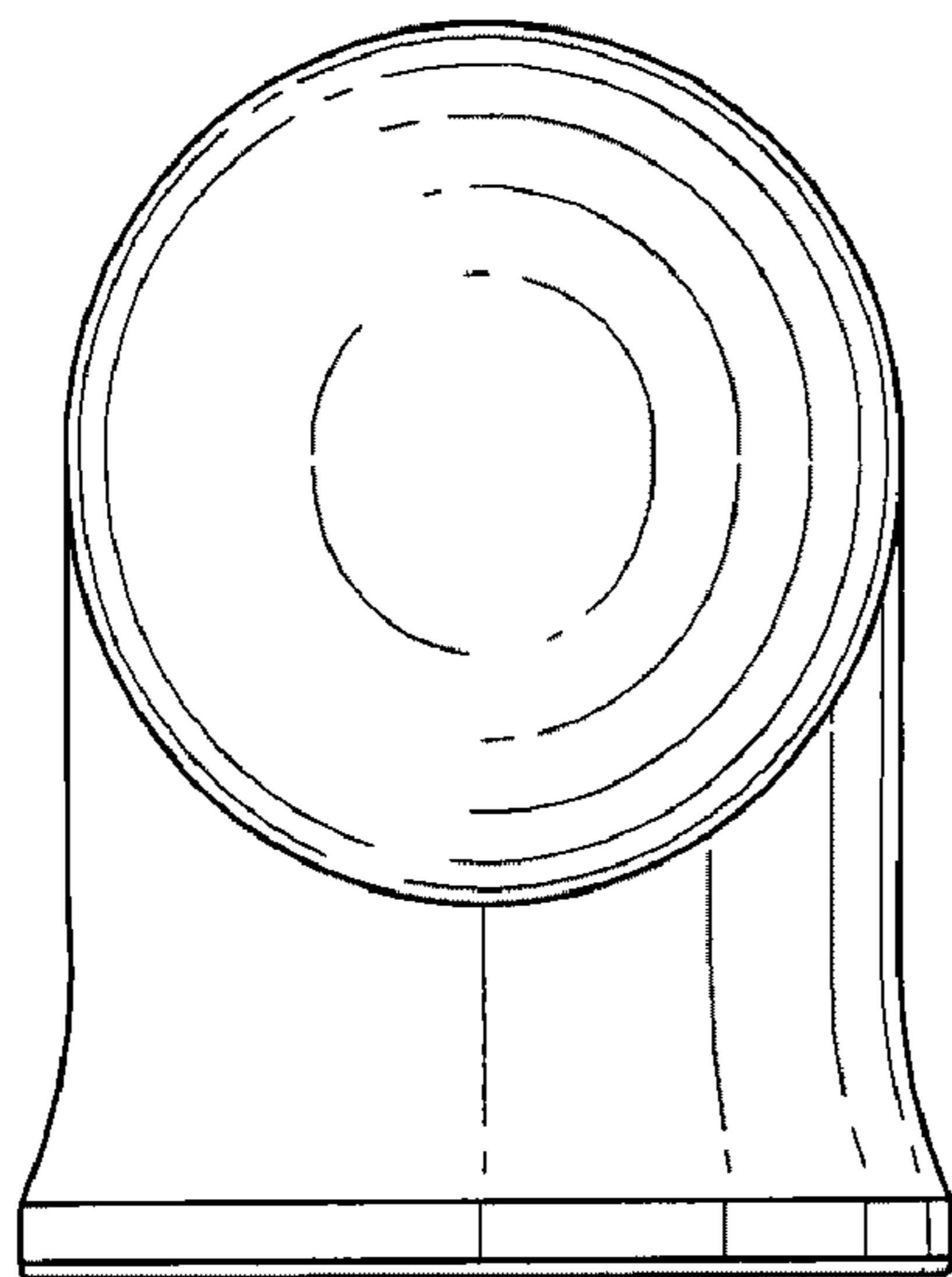


FIG. 3

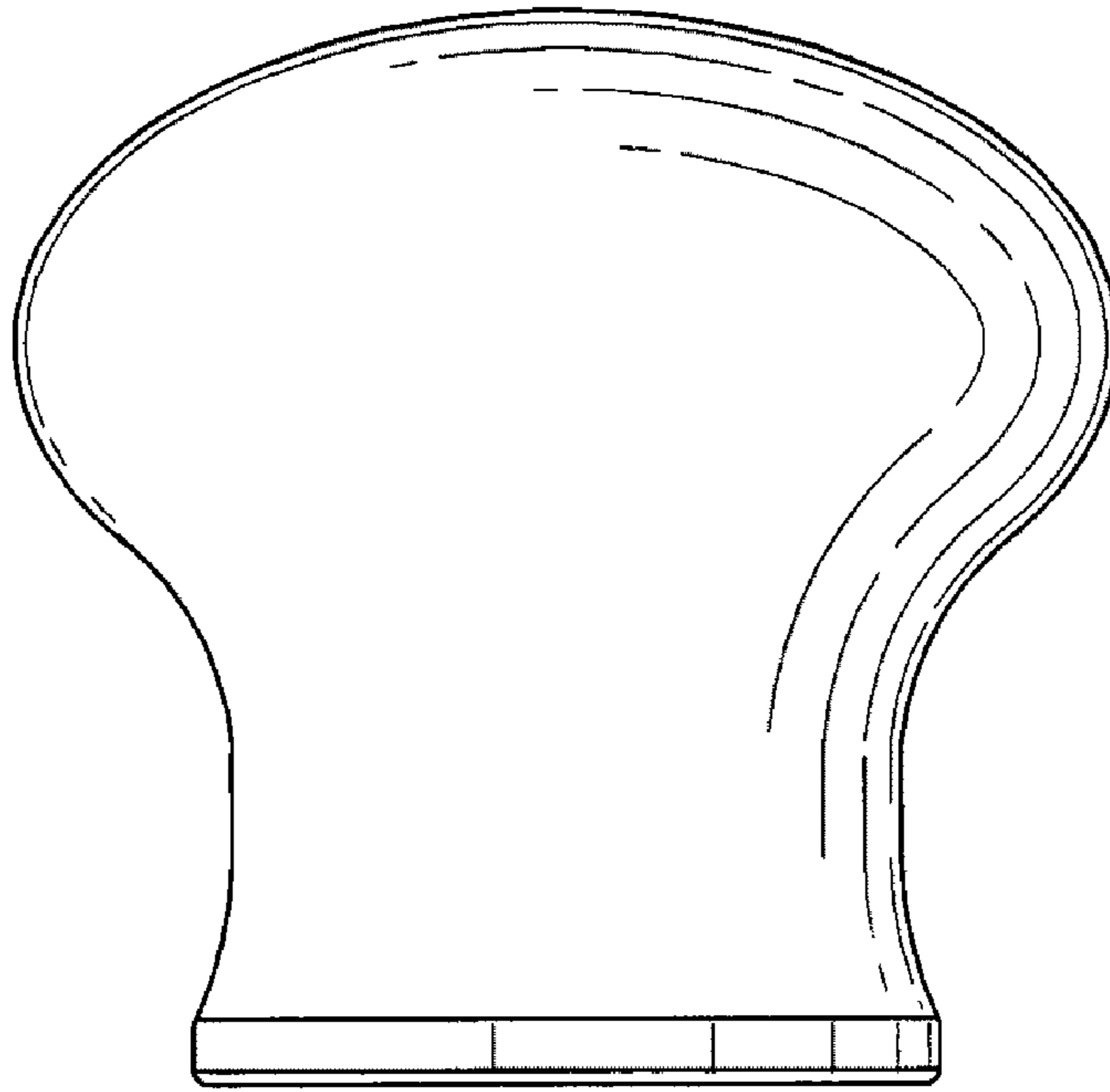


FIG. 4

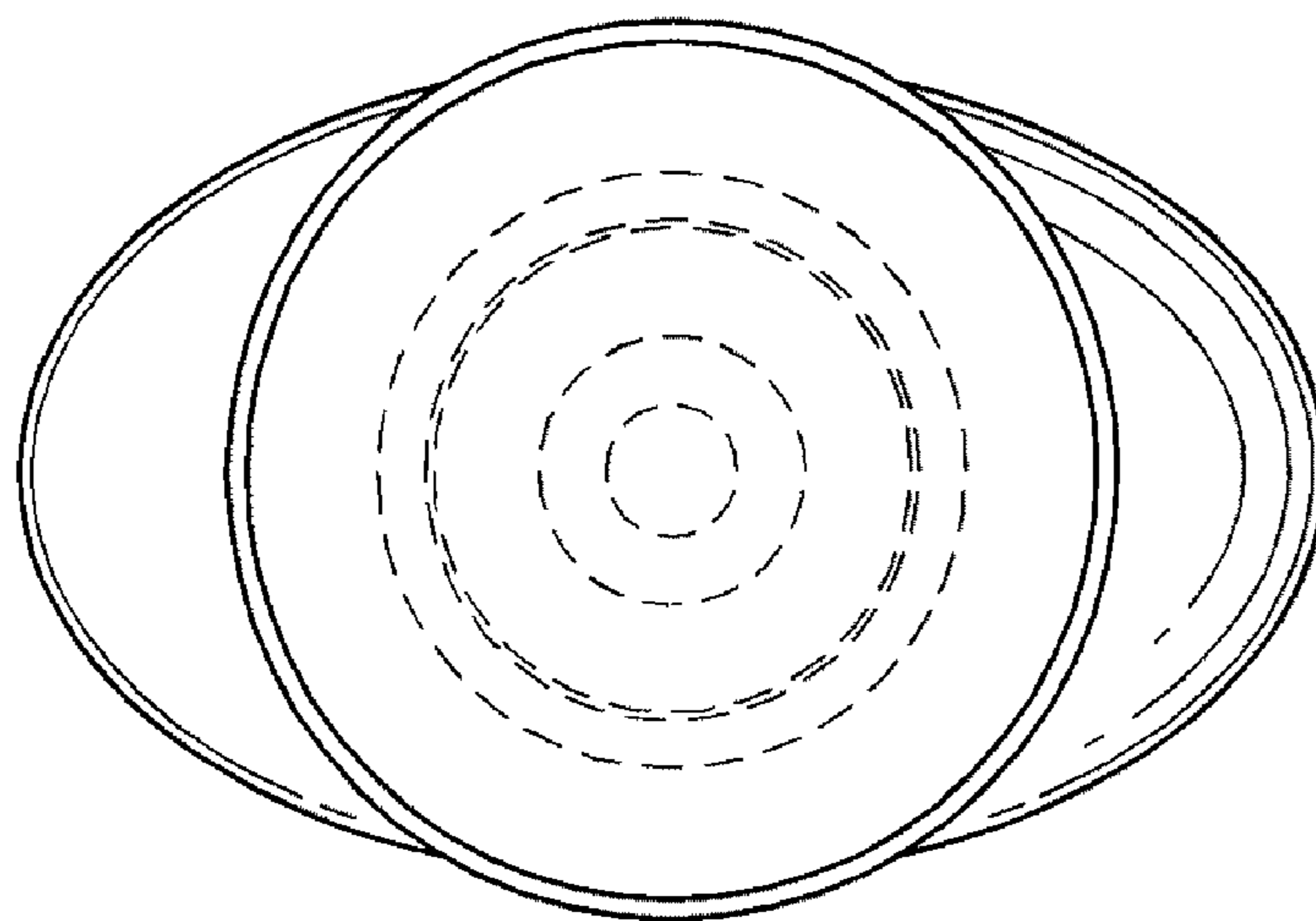


FIG. 5