



US00D640119S

(12) **United States Design Patent**
Kufner et al.

(10) **Patent No.:** **US D640,119 S**
(45) **Date of Patent:** **** Jun. 21, 2011**

(54) **TILE ALIGNMENT AND LEVELING DEVICE**

(75) Inventors: **Edward A Kufner**, Fairfield, IA (US);
Michele Volponi, Fairfield, IA (US)

(73) Assignee: **Davinci Italia/USA Group, LLC**,
Fairfield, IA (US)

(**) Term: **14 Years**

(21) Appl. No.: **29/375,338**

(22) Filed: **Sep. 21, 2010**

(51) **LOC (9) Cl.** **08-08**

(52) **U.S. Cl.** **D8/105**

(58) **Field of Classification Search** D8/105,
D8/14, 51, 52, 89, 81, 76, 356, 354, 26; D10/64,
D10/62; D34/35; D6/349; D25/199; 33/527,
33/526; 428/98, 64.1; 52/392, 389, 749.11
See application file for complete search history.

(56) **References Cited**

U.S. PATENT DOCUMENTS

4,796,330	A *	1/1989	Ziegler	16/251
4,802,259	A *	2/1989	Geslewitz	16/251
D334,133	S *	3/1993	Hartzheim	D8/354
5,198,031	A *	3/1993	Derstine	118/505
5,288,534	A *	2/1994	Tavshanjian	428/64.1
5,359,783	A *	11/1994	Smith	33/527
D361,021	S *	8/1995	Harper	D8/14
D372,415	S *	8/1996	Guidotti	D8/327

D382,180	S *	8/1997	Chuang	D8/26
D504,805	S *	5/2005	Sorkin	D8/356
D509,416	S *	9/2005	LeBeau et al.	D8/14
6,944,912	B1 *	9/2005	LeBeau et al.	16/250
D542,162	S *	5/2007	Skillings	D10/64
7,536,802	B1 *	5/2009	Tavy et al.	33/527
D594,737	S *	6/2009	Kelly et al.	D8/354
D595,117	S *	6/2009	Sorkin	D8/354
7,698,831	B2 *	4/2010	Higgs et al.	33/526
2004/0060184	A1 *	4/2004	Shilo et al.	33/526

* cited by examiner

Primary Examiner — Austin Murphy

(74) *Attorney, Agent, or Firm* — Ryan N. Carter

(57) **CLAIM**

The ornamental design for a tile alignment and leveling device, as shown and described.

DESCRIPTION

FIG. 1 is a front perspective view of the device;

FIG. 2 is a first side view;

FIG. 3 is a second side view;

FIG. 4 is a third side view;

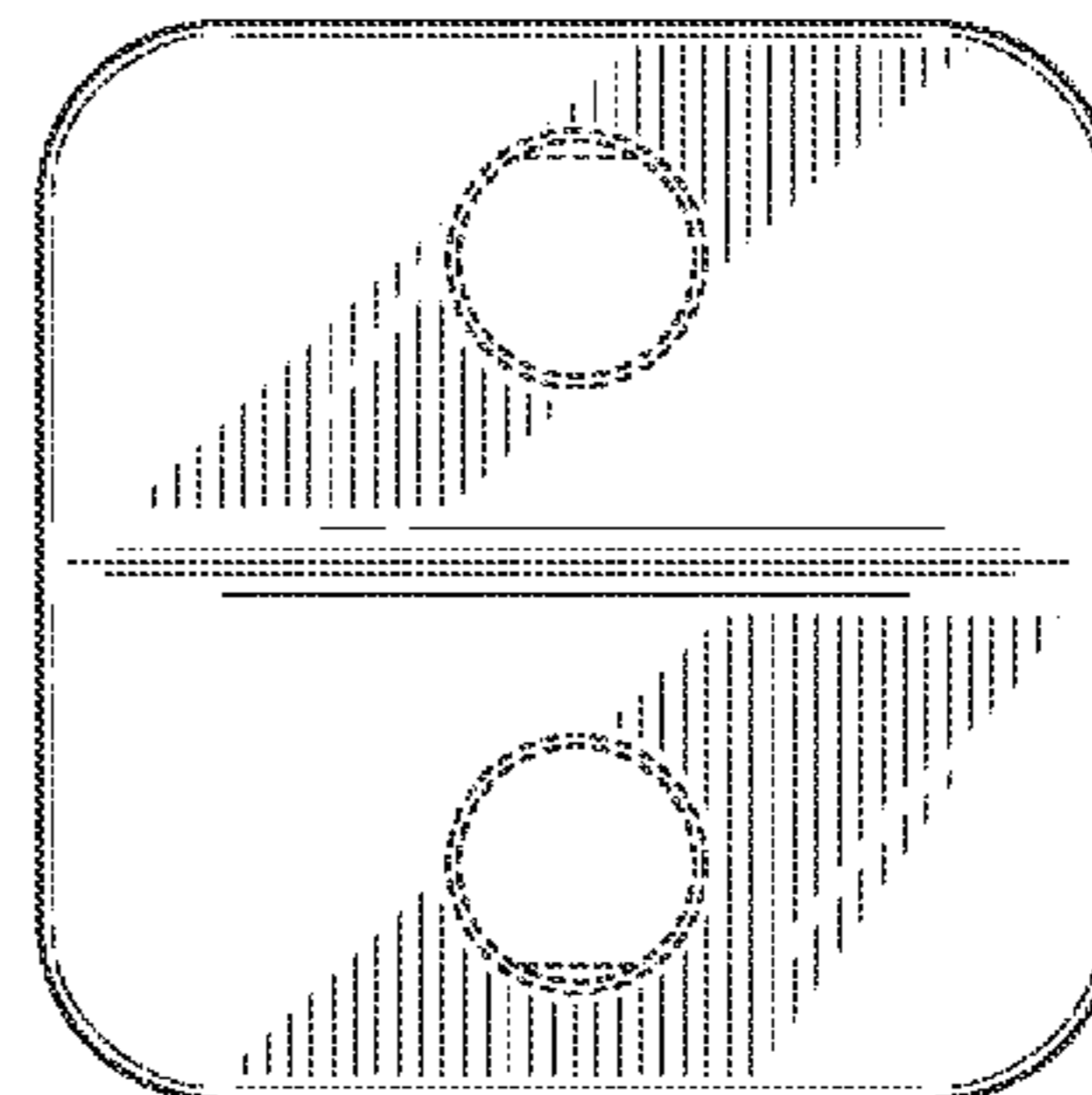
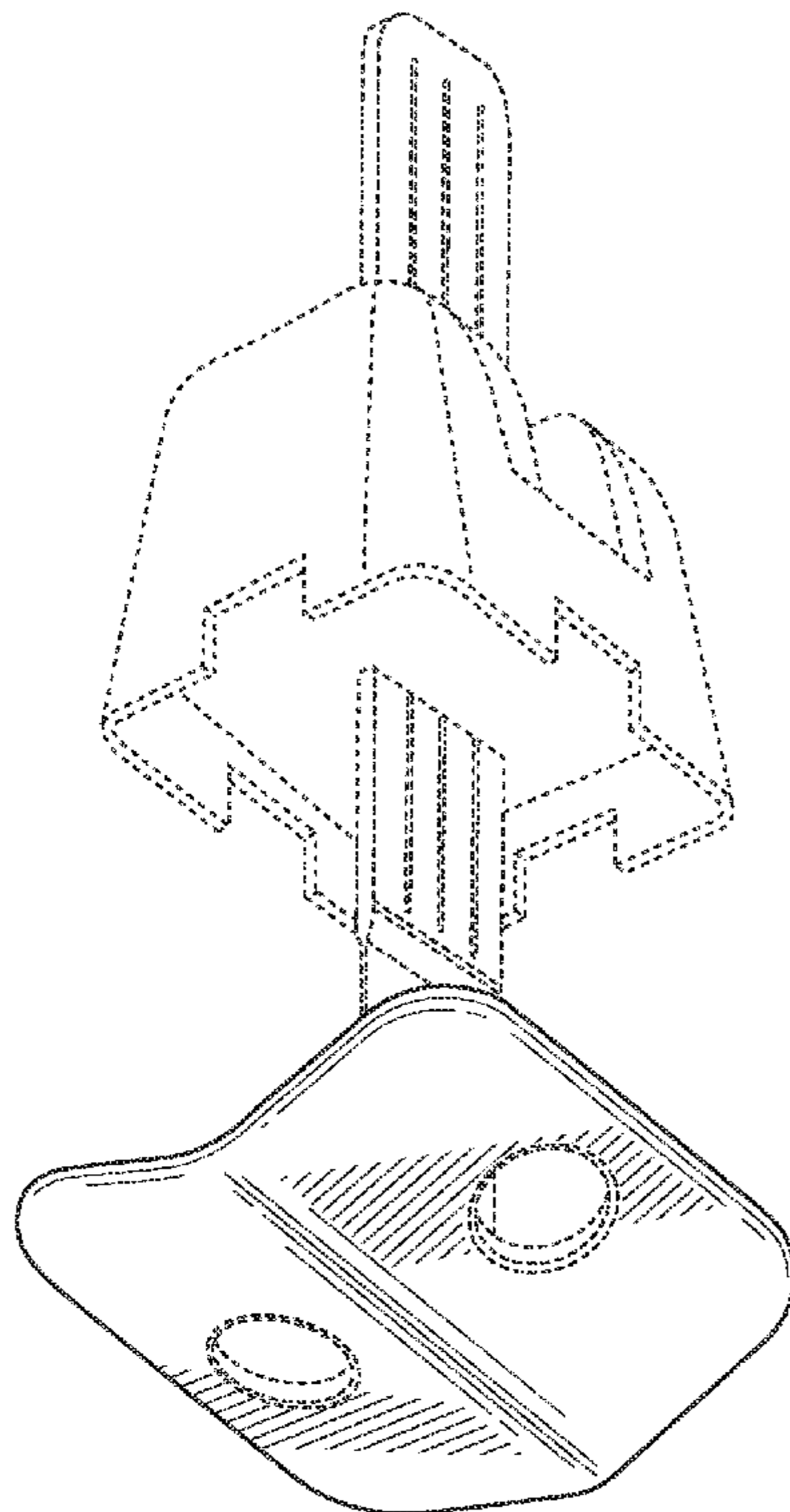
FIG. 5 is a fourth side view;

FIG. 6 is a bottom view; and,

FIG. 7 is a top view.

The broken lines shown in the drawings show portions of the tile alignment and leveling device that form no part of the claimed design.

1 Claim, 7 Drawing Sheets



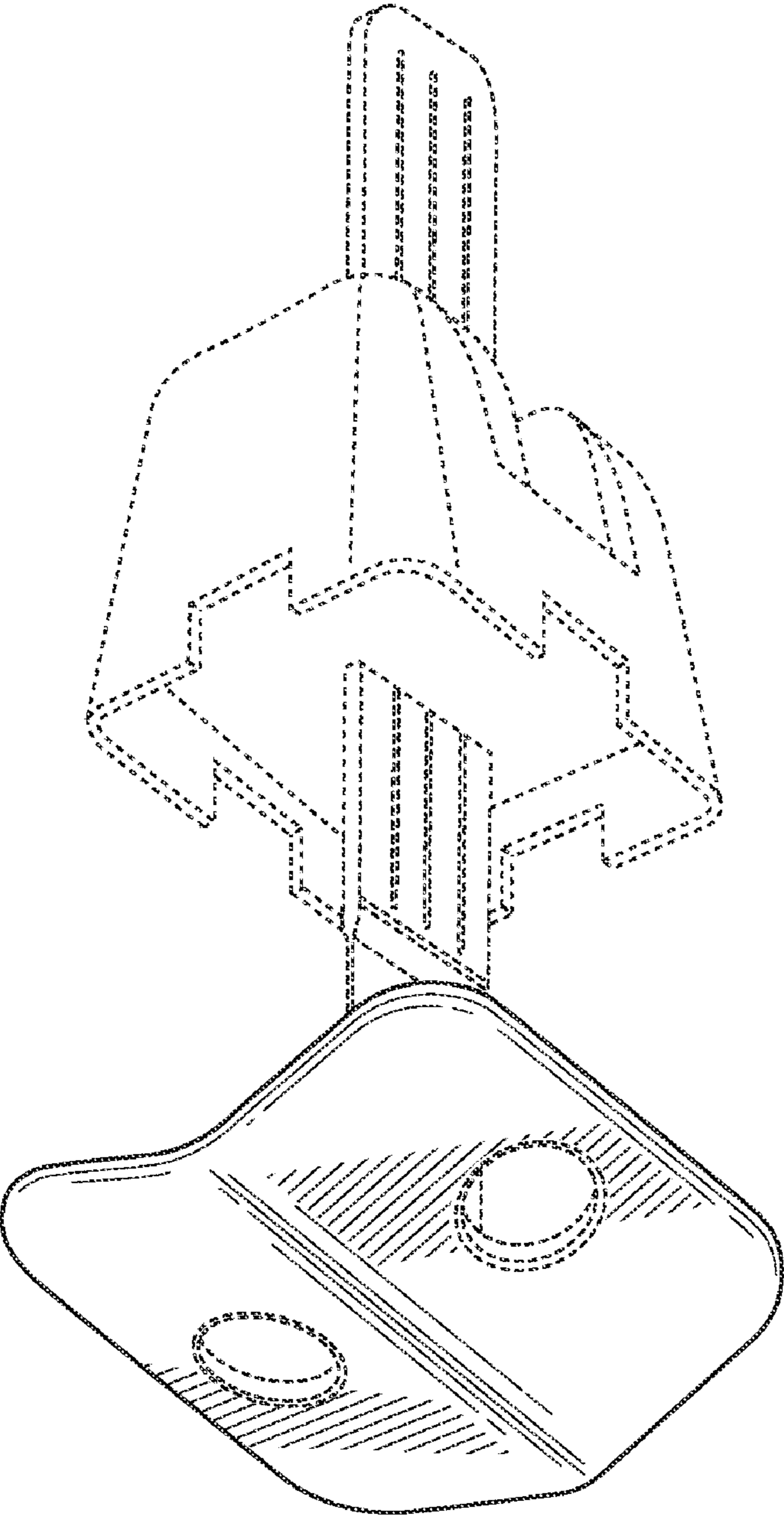


FIG. 1

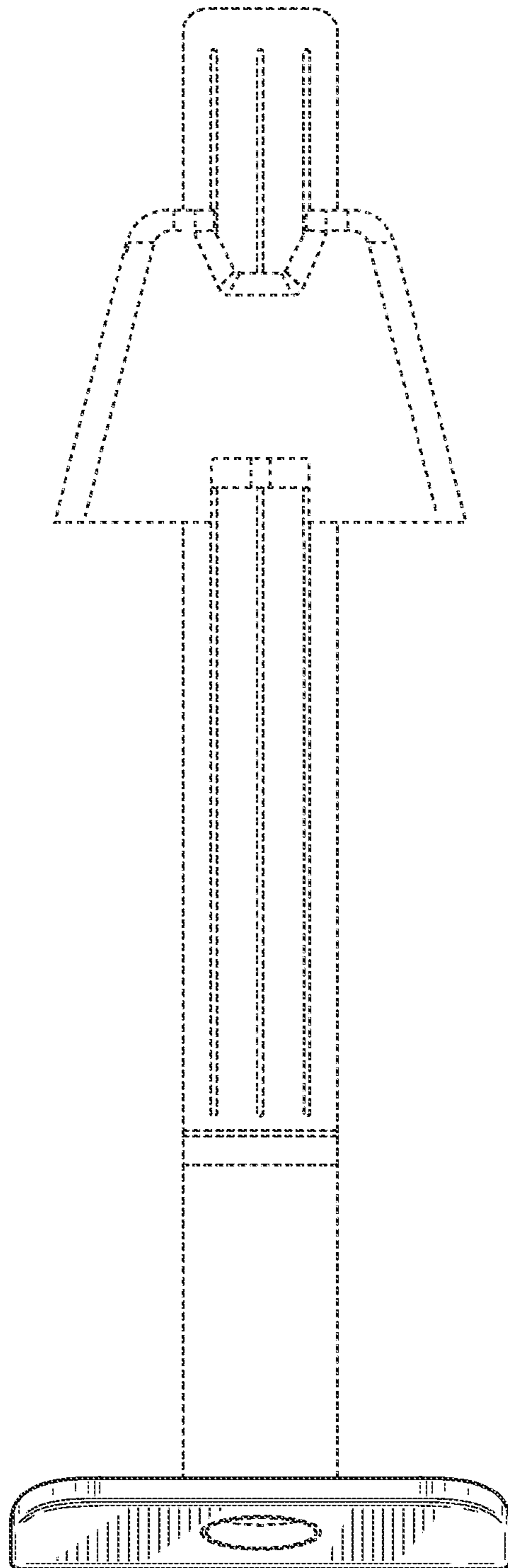


FIG. 2

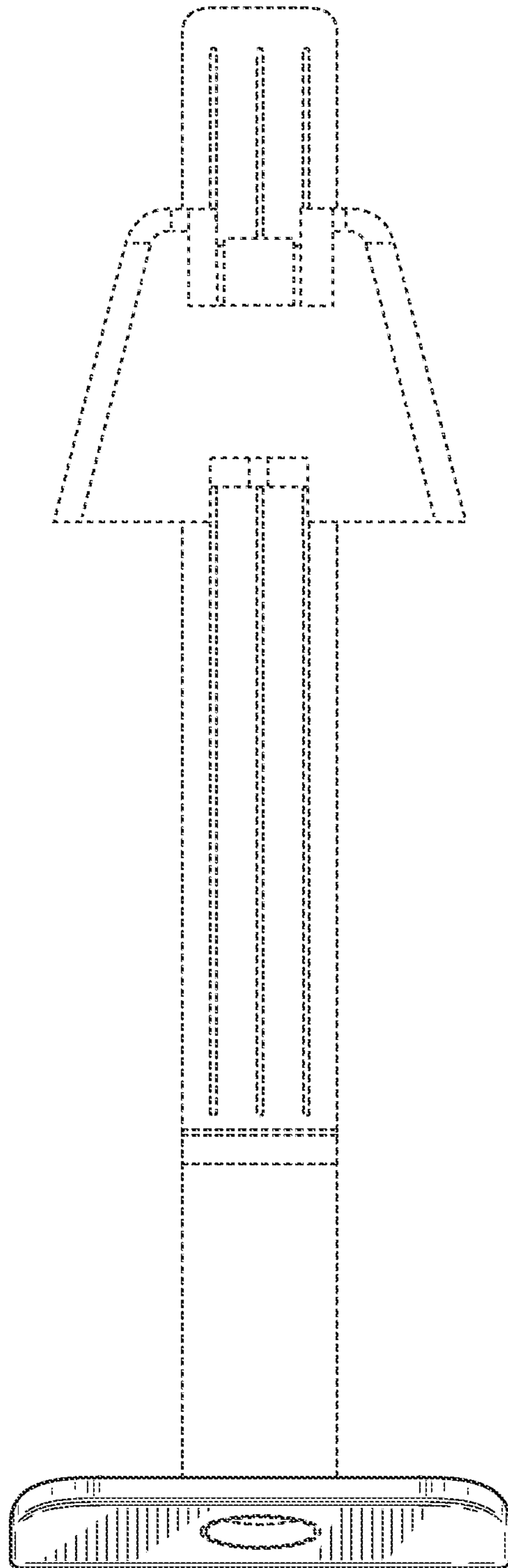


FIG. 3

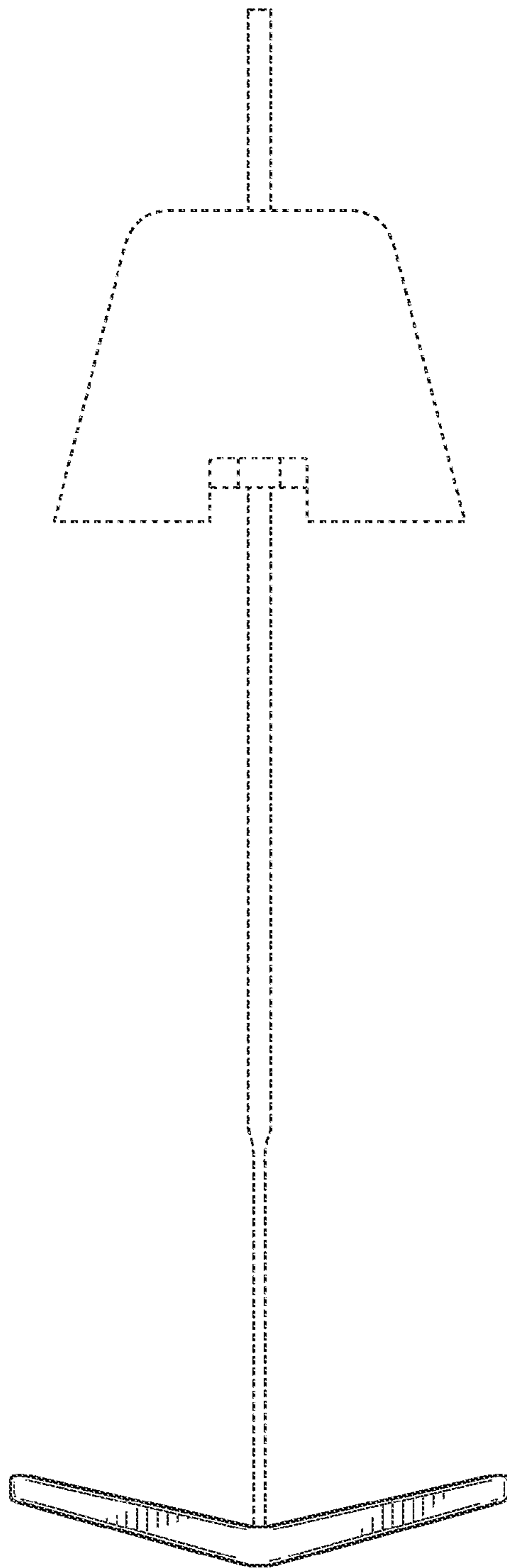


FIG. 4

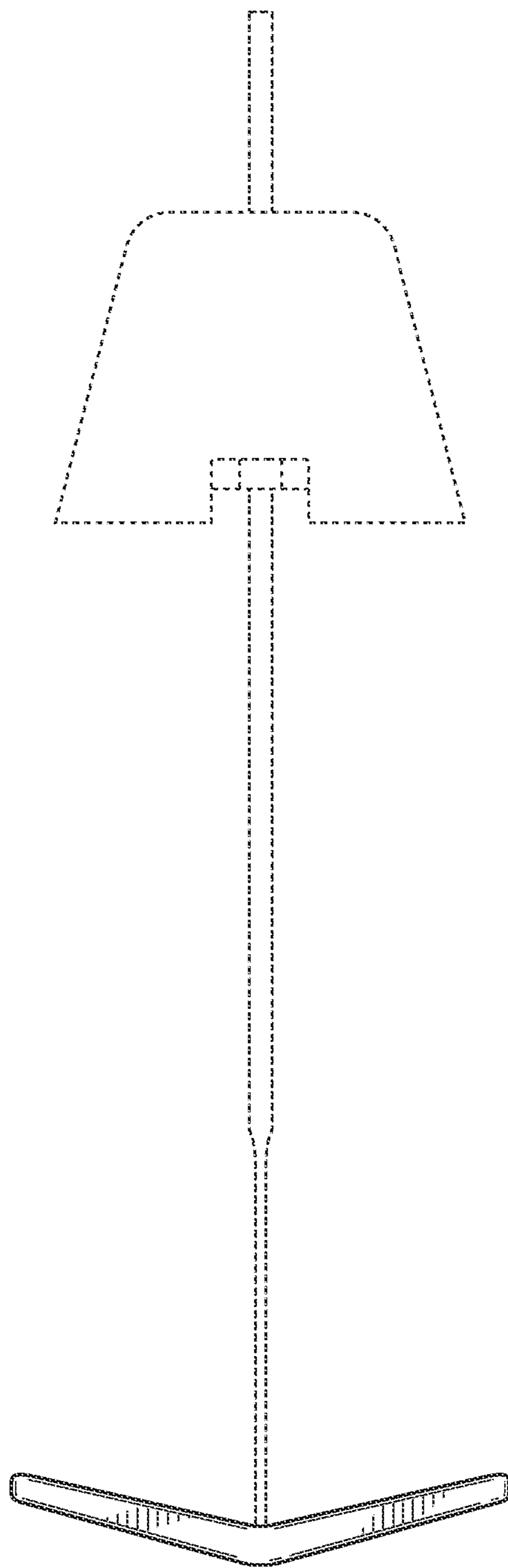


FIG. 5

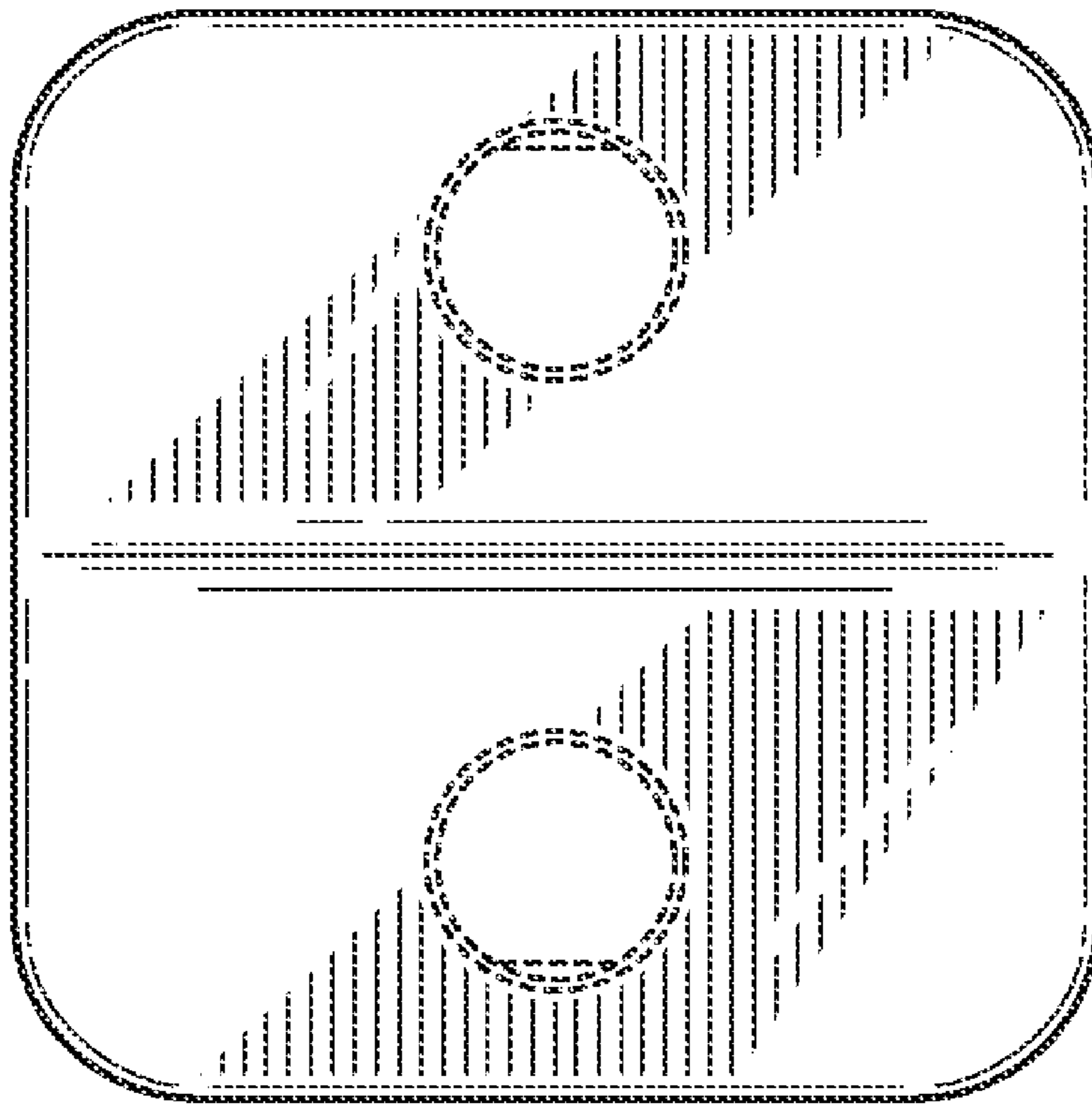


FIG. 6

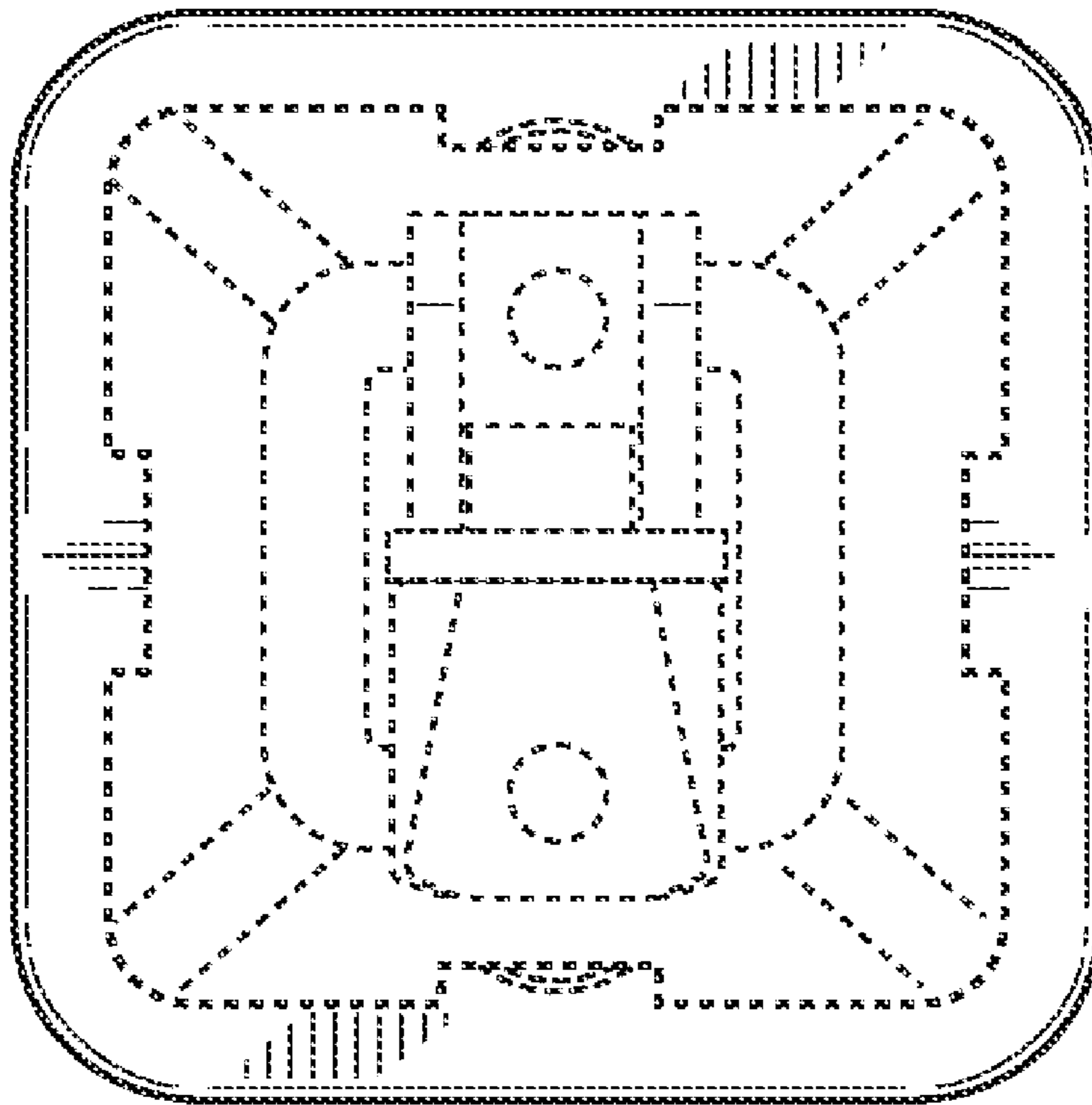


FIG. 7