



US00D640118S

(12) **United States Design Patent**  
**Rivera et al.**

(10) **Patent No.:** **US D640,118 S**

(45) **Date of Patent:** **\*\* Jun. 21, 2011**

(54) **PORTION OF A HAND TOOL**

(75) Inventors: **Benjamin C. Rivera**, Lake Oswego, OR (US); **Jeffrey L. Caniparoli**, Milwaukie, OR (US); **Jeffrey B. Castro**, Portland, OR (US); **Blair Scott Barnes**, Portland, OR (US)

(73) Assignee: **Leatherman Tool Group, Inc.**, Portland, OR (US)

(\*\*) Term: **14 Years**

(21) Appl. No.: **29/352,325**

(22) Filed: **Dec. 18, 2009**

(51) **LOC (9) Cl.** ..... **08-05**

(52) **U.S. Cl.** ..... **D8/105**

(58) **Field of Classification Search** ..... D8/105,  
D8/99, 394, 356, 344, 343, 342, 331, 98,  
D8/20; 30/161, 164, 153, 152, 294; 7/118,  
7/125-135, 138, 143, 164; 81/177.1, 177.2,  
81/177.6; D11/216; D22/118

See application file for complete search history.

(56) **References Cited**

**U.S. PATENT DOCUMENTS**

D266,395	S	*	10/1982	Miller	.....	D8/343
D283,672	S	*	5/1986	Greco	.....	D8/331
5,212,844	A		5/1993	Sessions et al.		
D371,498	S		7/1996	Lai		
5,564,318	A		10/1996	Pail		
5,664,274	A		9/1997	Collins		
5,689,886	A		11/1997	Yeh		
D392,519	S		3/1998	Hung		
D406,508	S		3/1999	Rivera		
D414,092	S		9/1999	Chang		
D414,387	S		9/1999	Hung		
6,003,180	A		12/1999	Frazer		
6,009,582	A		1/2000	Harrison et al.		
6,038,735	A	*	3/2000	Chang	.....	16/110.1
D426,446	S		6/2000	Chau		
D427,501	S	*	7/2000	Berg et al.	.....	D8/105
D429,621	S	*	8/2000	Rivera	.....	D8/343
6,223,374	B1		5/2001	Lin		

(Continued)

**OTHER PUBLICATIONS**

Multi tools 14-in-1 Hammer Tool [online] [retrieved Jan. 25, 2010]. Retrieved from the internet: <URL: [http://greatnecksaw.com/product\\_info.php?pName=14in1-hammer-tool&cName=all-purpo...](http://greatnecksaw.com/product_info.php?pName=14in1-hammer-tool&cName=all-purpo...)>. 2 pages.

(Continued)

*Primary Examiner* — Austin Murphy

(74) *Attorney, Agent, or Firm* — Alston & Bird LLP

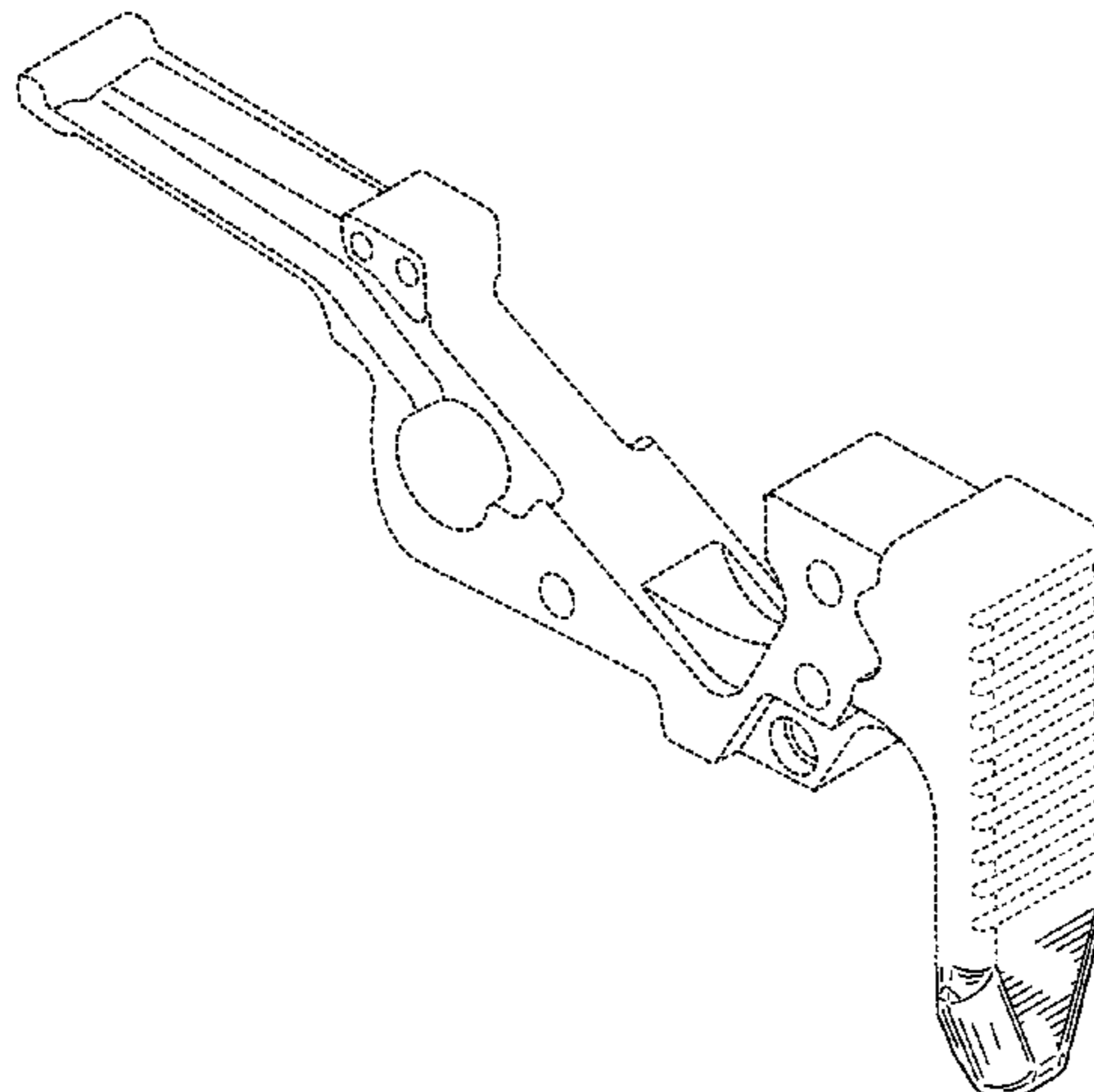
(57) **CLAIM**

The ornamental design for a portion of a hand tool, as shown and described.

**DESCRIPTION**

FIG. 1 is a perspective view of a portion of a hand tool according to our new design;  
FIG. 2 is a left side elevation view thereof;  
FIG. 3 is a right side elevation view thereof;  
FIG. 4 is a top plan view thereof;  
FIG. 5 is a bottom plan view thereto;  
FIG. 6 is a front elevation view thereof;  
FIG. 7 is a perspective view thereof, shown in the environment of a complete hand tool, shown in an open configuration;  
FIG. 8 is a right side elevation view thereof;  
FIG. 9 is a left side elevation view thereof;  
FIG. 10 is a rear elevation view thereof;  
FIG. 11 is a front elevation view thereof;  
FIG. 12 is a bottom plan view thereof;  
FIG. 13 is a top plan view thereof; and,  
FIG. 14 is a right side elevation view thereof, shown in the environment of a complete hand tool, shown in a closed configuration.  
The broken lines shown in the drawings represent unclaimed portions of the hand tool that form no part of the claimed design.

**1 Claim, 11 Drawing Sheets**



# US D640,118 S

Page 2

## U.S. PATENT DOCUMENTS

D444,371	S *	7/2001	Leonowich .....	D8/331	7,353,736	B2	4/2008	Poehlmann	
D445,326	S	7/2001	Alfaro		7,363,669	B2	4/2008	Berg et al.	
6,282,997	B1	9/2001	Frazer		D573,009	S *	7/2008	Nenadic .....	D8/356
6,289,768	B1	9/2001	Anderson et al.		7,406,896	B2	8/2008	Rivera	
6,293,018	B1	9/2001	Rivera		D592,931	S	5/2009	Nenadic	
D455,629	S	4/2002	Ping		7,568,408	B2	8/2009	Tsuda	
6,389,626	B1	5/2002	Hung		7,596,870	B2	10/2009	Klecker et al.	
D468,993	S *	1/2003	Votruba et al. ....	D8/343	7,607,231	B2	10/2009	Klecker et al.	
D469,328	S	1/2003	Ping		7,730,811	B2	6/2010	Robinson et al.	
D488,700	S *	4/2004	Montague .....	D8/331	2001/0014986	A1	8/2001	Harrison	
D494,840	S *	8/2004	Senn .....	D8/344					
D503,328	S *	3/2005	Catlett .....	D8/342					
7,028,591	B2	4/2006	Dallas et al.						
7,051,627	B2	5/2006	Rivera						
D528,396	S *	9/2006	Knight .....	D8/99					
D541,618	S	5/2007	Klecker						
7,347,128	B2	3/2008	Rivera et al.						

## OTHER PUBLICATIONS

eFECT™, Speciality Tools, 2010 Gerber Military Product Catalog, Jun. 1, 2009, p. 16.

The Pocket Toolbox™, G10 MaxGrip, Multitasker Ultralight, Multitasker Tools LLC, Brochure (2010), 2 pages.

\* cited by examiner

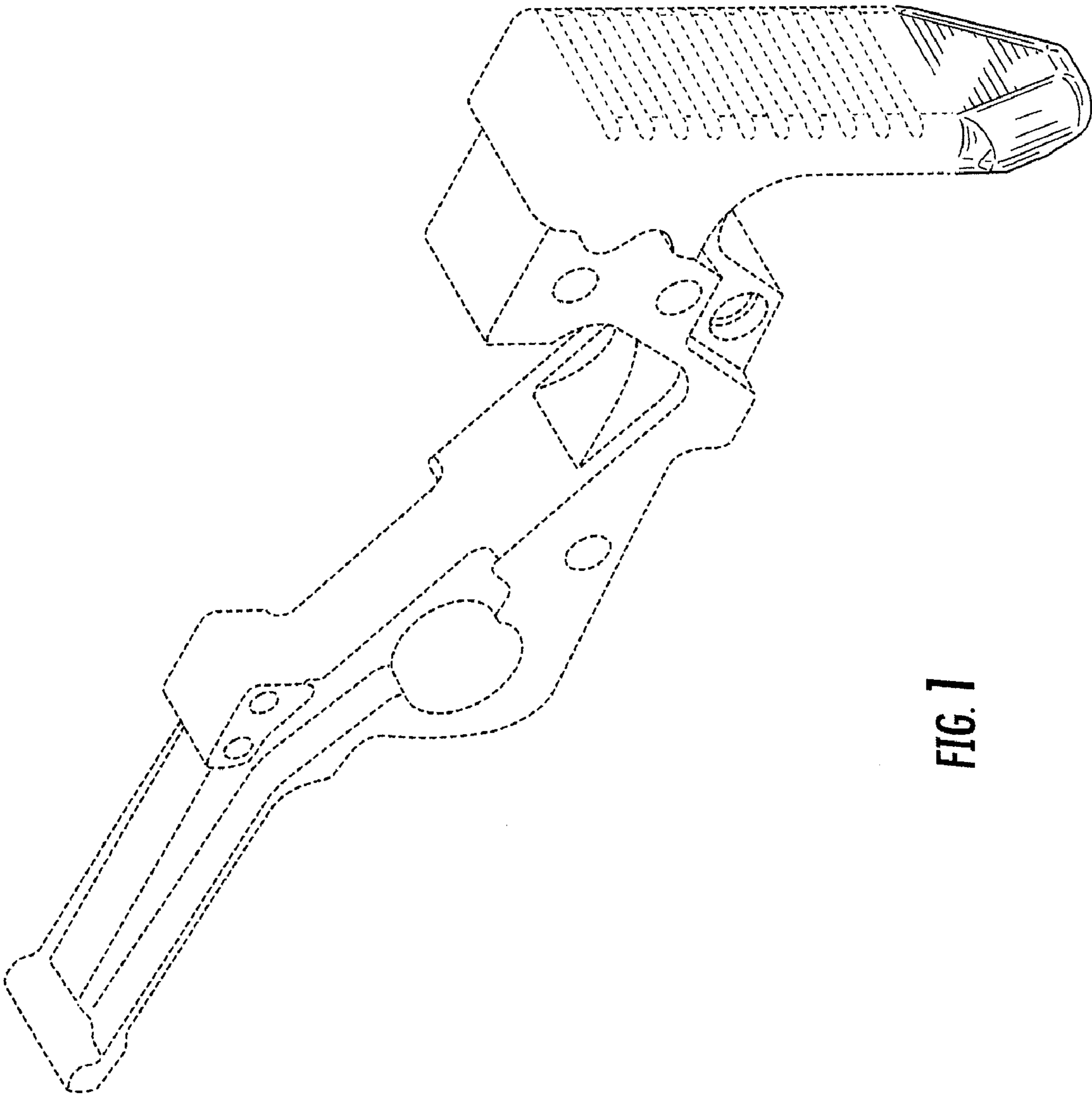


FIG. 1

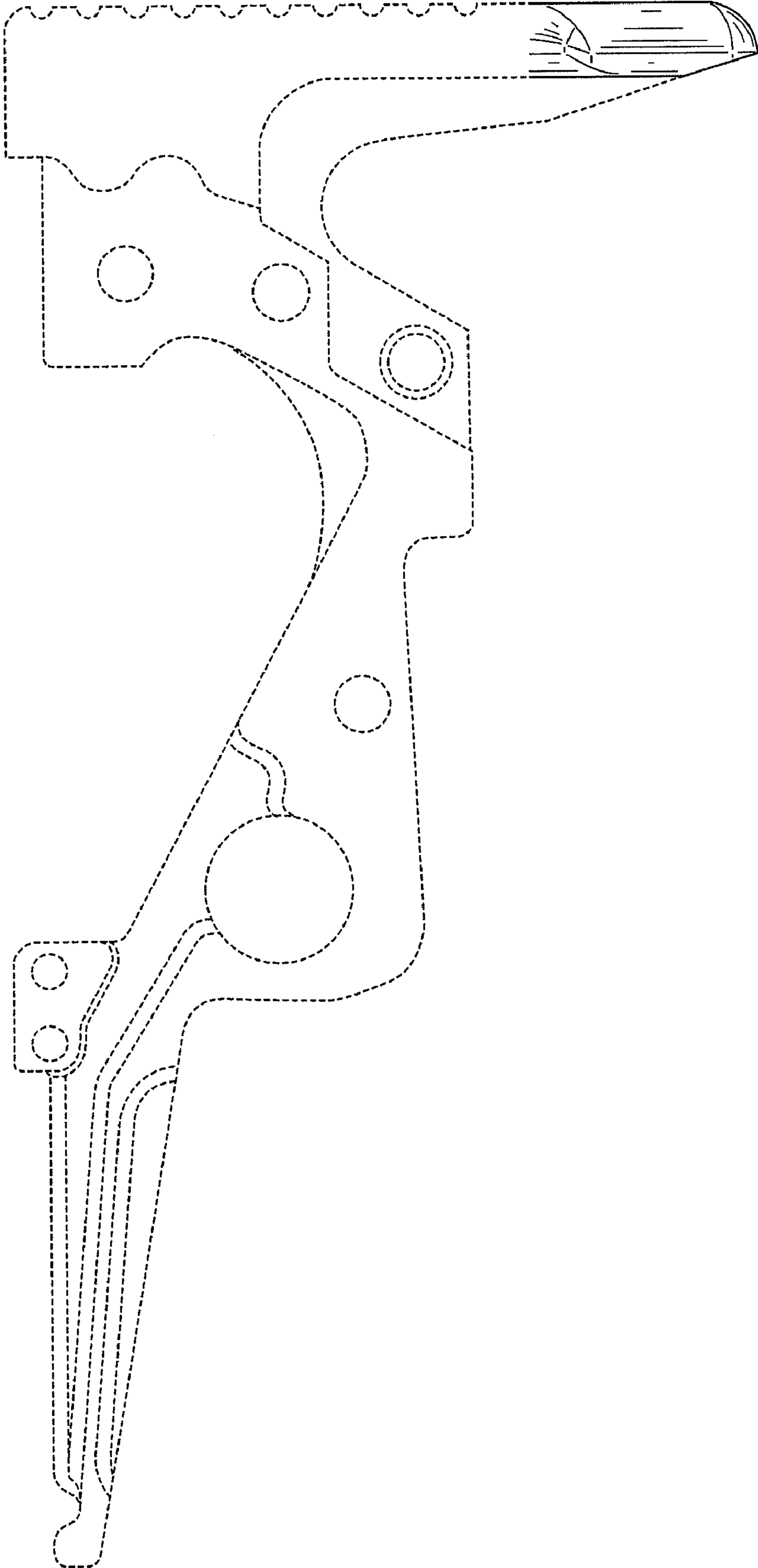


FIG. 2

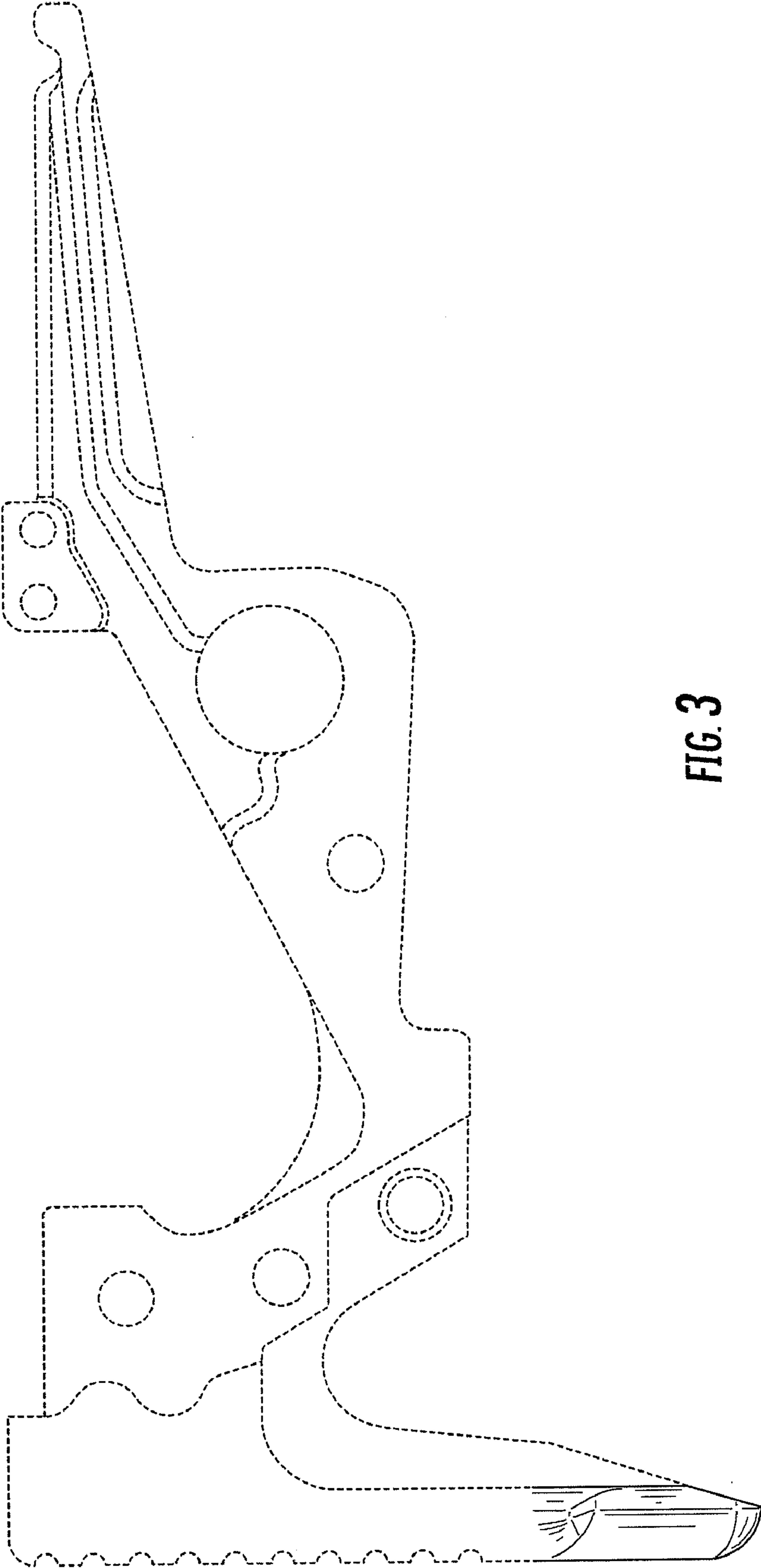
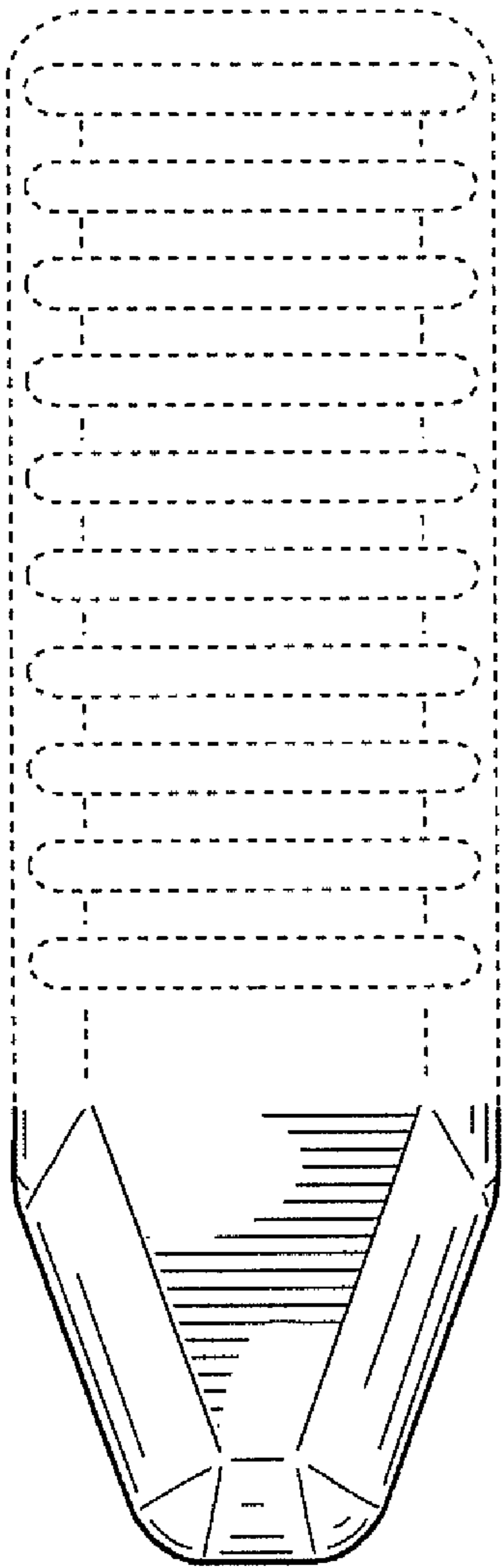
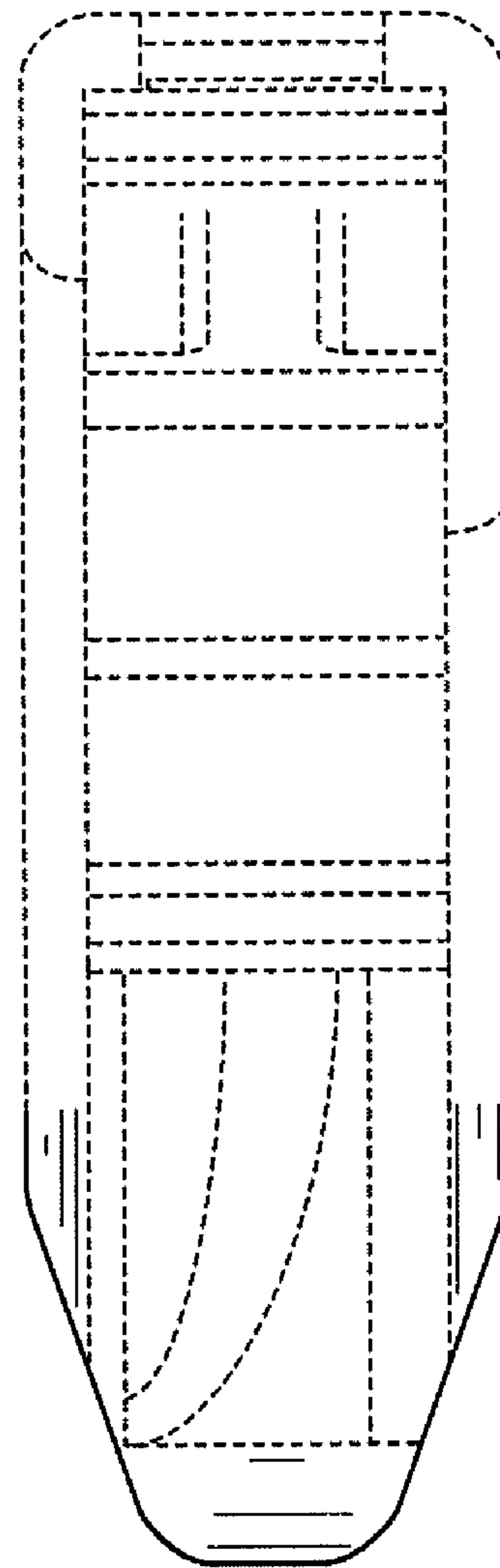


FIG. 3

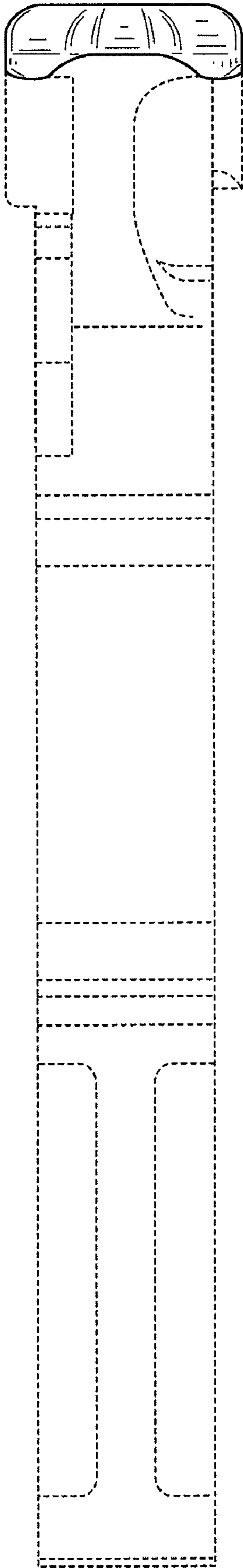


**FIG. 4**

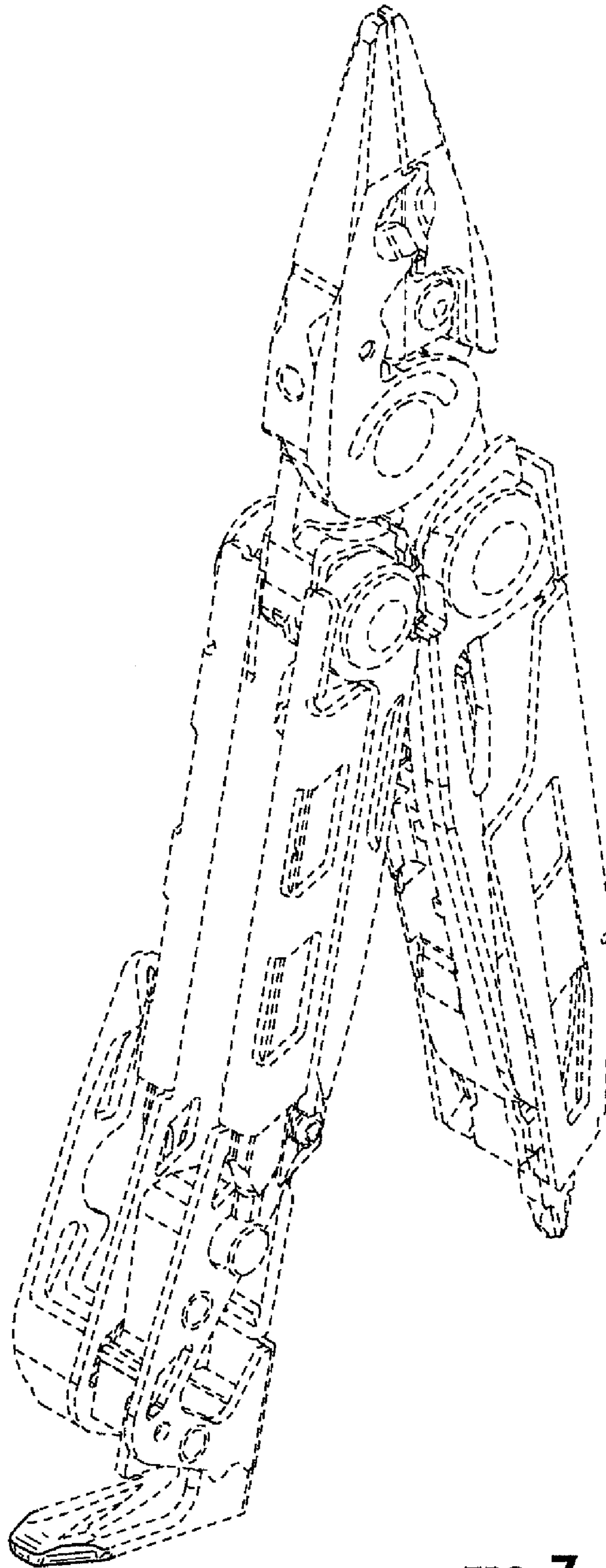


**FIG. 5**



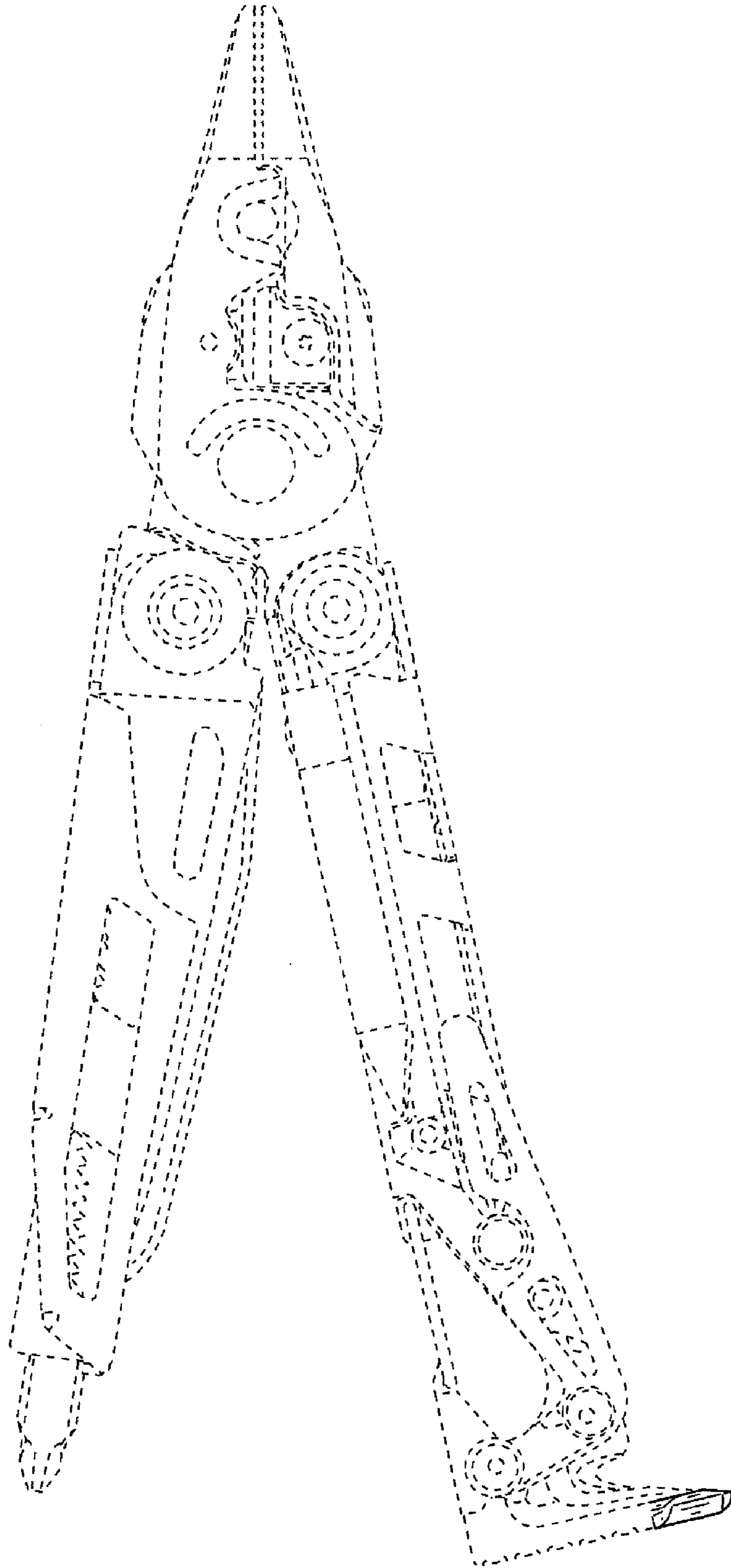


**FIG. 6**

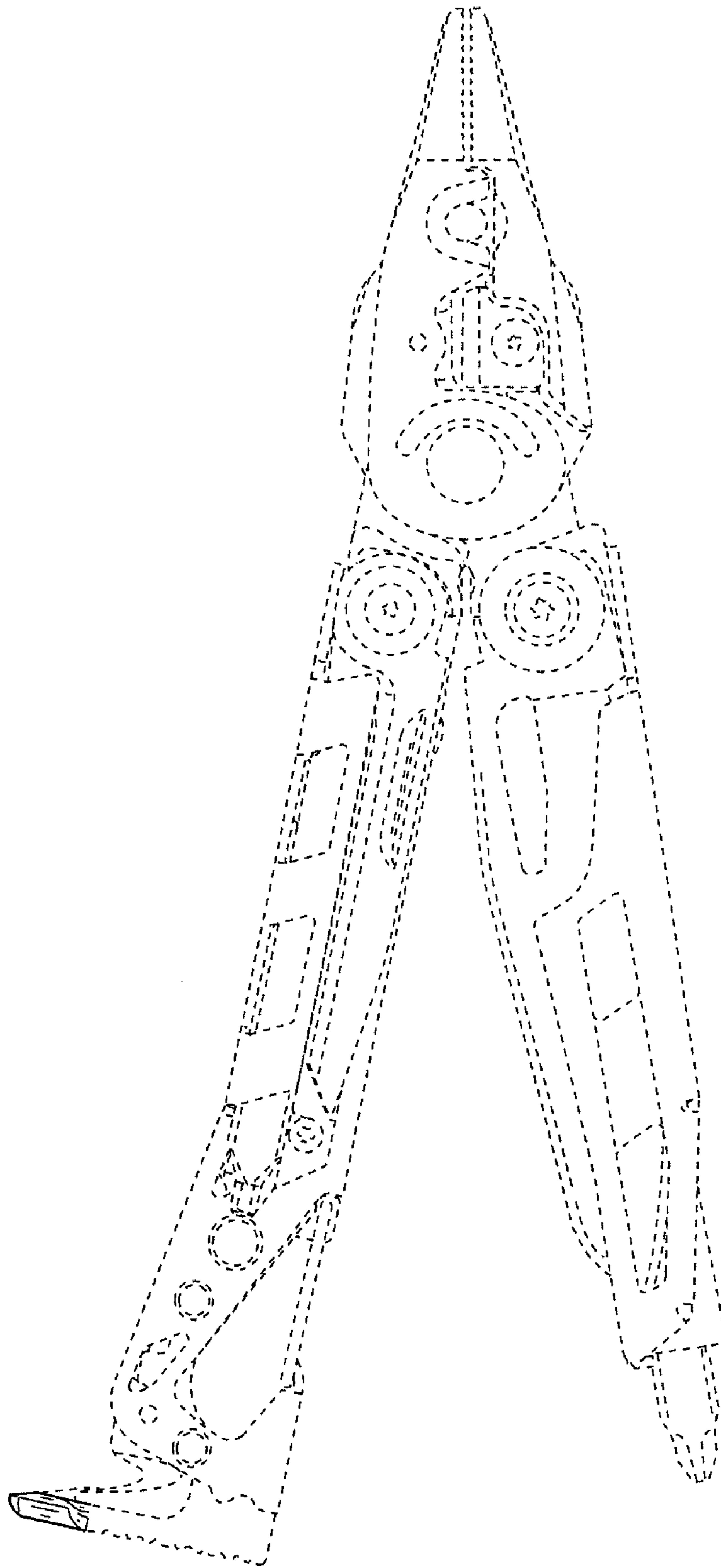


**FIG. 7**

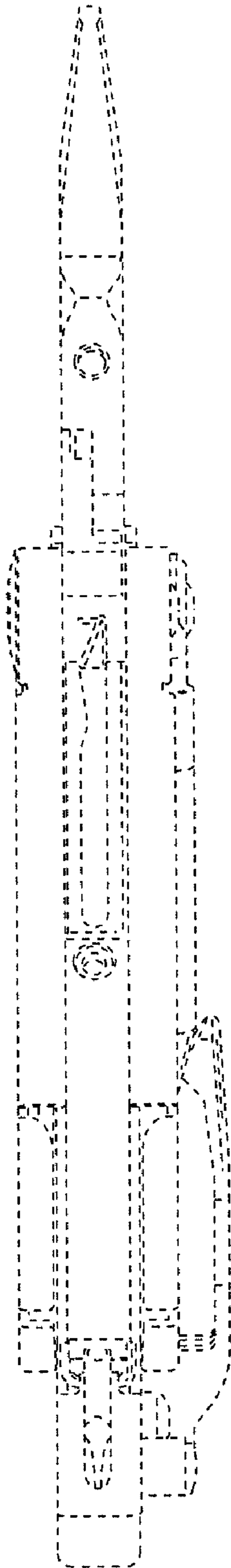




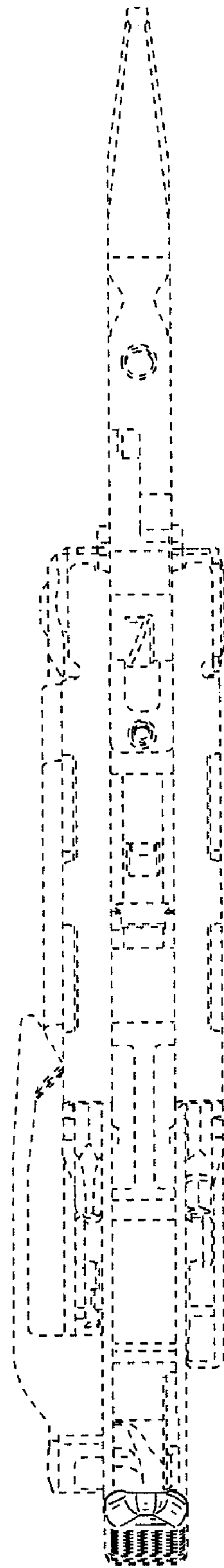
**FIG. 8**



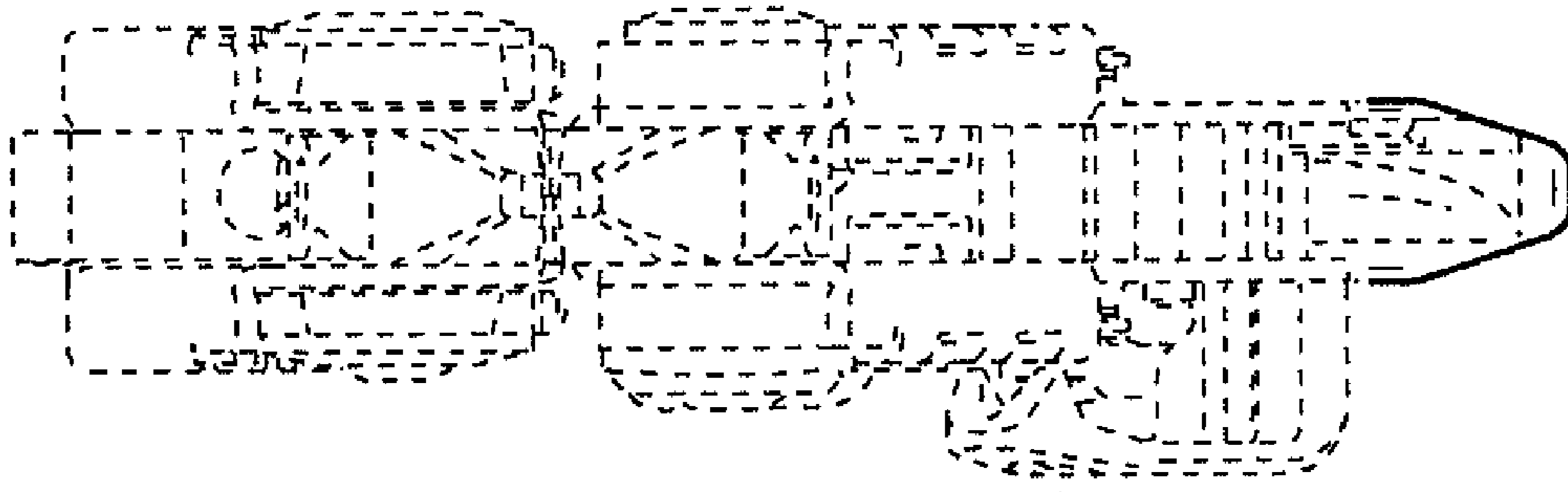
**FIG. 9**



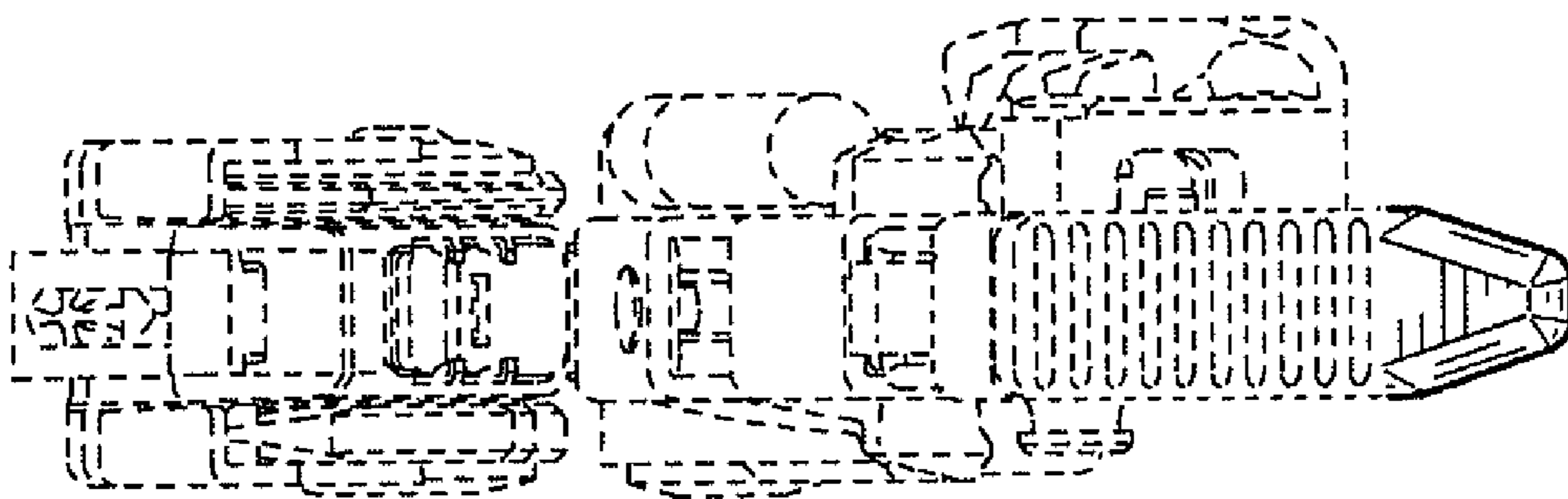
**FIG. 10**



**FIG. 11**



**FIG. 12**



**FIG. 13**

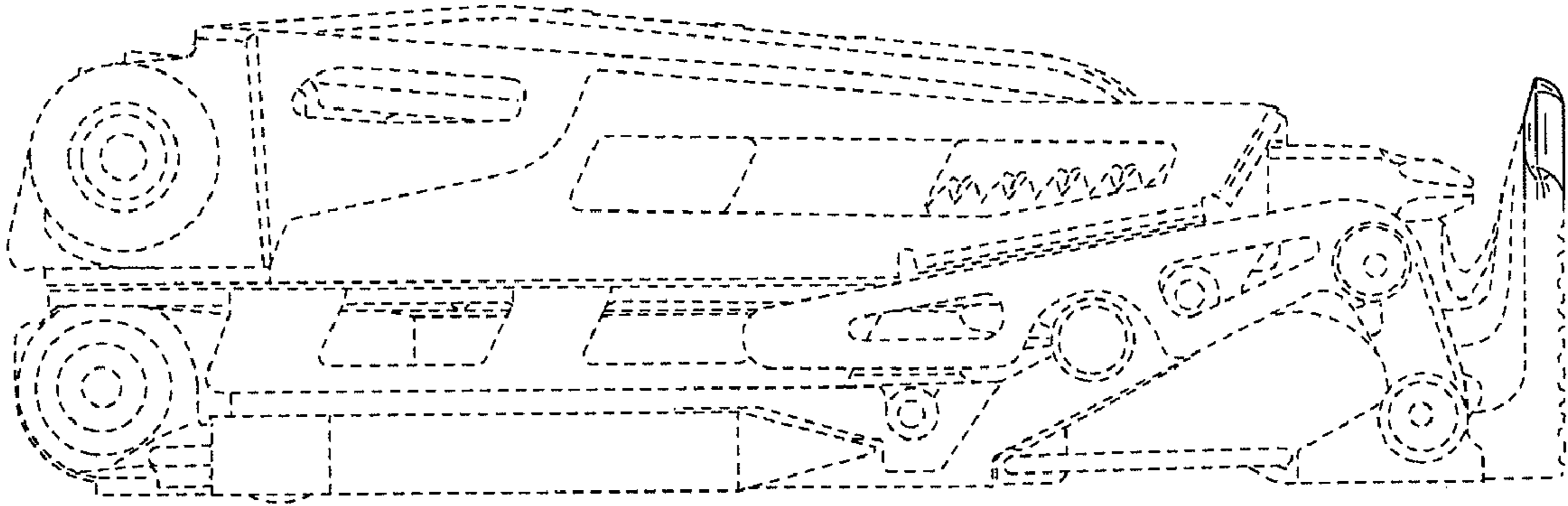


FIG. 14