



US00D640116S

(12) **United States Design Patent**
Smith et al.

(10) **Patent No.:** **US D640,116 S**
(45) **Date of Patent:** **** Jun. 21, 2011**

(54) **ABRASIVE SHARPENER**

(75) Inventors: **Richard S. Smith**, Hot Springs, AR
(US); **Louis Chalfant**, Hot Springs, AR
(US)

(73) Assignee: **Smith Abrasives, Inc**, Hot Springs, AR
(US)

(**) Term: **14 Years**

(21) Appl. No.: **29/370,291**

(22) Filed: **Jun. 28, 2010**

(51) **LOC (9) Cl.** **08-05**

(52) **U.S. Cl.** **D8/93**

(58) **Field of Classification Search** D8/63,
D8/90-94; 76/82, 84, 86-89; 451/552, 555-558
See application file for complete search history.

(56) **References Cited**

U.S. PATENT DOCUMENTS

1,810,727	A	*	6/1931	Polson	76/87
D145,803	S	*	10/1946	Jones	D8/93
D173,204	S	*	10/1954	Hussar	D8/93
D183,530	S	*	9/1958	Lamb	D8/93
D269,940	S	*	8/1983	Hirosawa	D8/93
D274,497	S	*	7/1984	Zabel et al.	D8/93
D276,886	S	*	12/1984	Carter	D8/93
D299,308	S	*	1/1989	Prindle	D8/93
D315,663	S	*	3/1991	Dolbosco	D8/93
D323,450	S	*	1/1992	Shimizu	D8/93
D332,210	S	*	1/1993	Linden	D8/93
5,390,431	A	*	2/1995	Friel	451/45
D357,395	S	*	4/1995	Friel	D8/93
D368,217	S	*	3/1996	Friel	D8/93
D372,181	S	*	7/1996	Kelley	D8/93
D392,869	S	*	3/1998	Rieser	D8/93
D402,523	S	*	12/1998	Thomas	D8/93
D473,777	S	*	4/2003	Thompson et al.	D8/93
D500,439	S	*	1/2005	Rosenthal	D8/93

D519,815	S	*	5/2006	Friel et al.	D8/91
D526,876	S	*	8/2006	Smith	D8/93
D582,238	S	*	12/2008	Mullen	D8/91
D587,088	S	*	2/2009	Smith	D8/93
D587,551	S	*	3/2009	Friel et al.	D8/93
D603,679	S	*	11/2009	Smith	D8/93
D604,134	S	*	11/2009	Smith et al.	D8/63
D604,135	S	*	11/2009	Smith et al.	D8/63
D626,397	S	*	11/2010	Smith et al.	D8/93
D629,273	S	*	12/2010	Friel et al.	D8/93

* cited by examiner

Primary Examiner — Phillip S Hyder

Assistant Examiner — Roselynn Cody

(74) *Attorney, Agent, or Firm* — Edward D. Gilhooly

(57) **CLAIM**

The ornamental design for an abrasive sharpener, as shown and described.

DESCRIPTION

FIG. 1 is a front perspective view of the design for an abrasive sharpener of the invention;

FIG. 2 is a front elevational view of the abrasive sharpener of FIG. 1;

FIG. 3 is a right side elevational view, viewing FIG. 2, of the abrasive sharpener of FIG. 1;

FIG. 4 is a rear elevational view of the abrasive sharpener of FIG. 1;

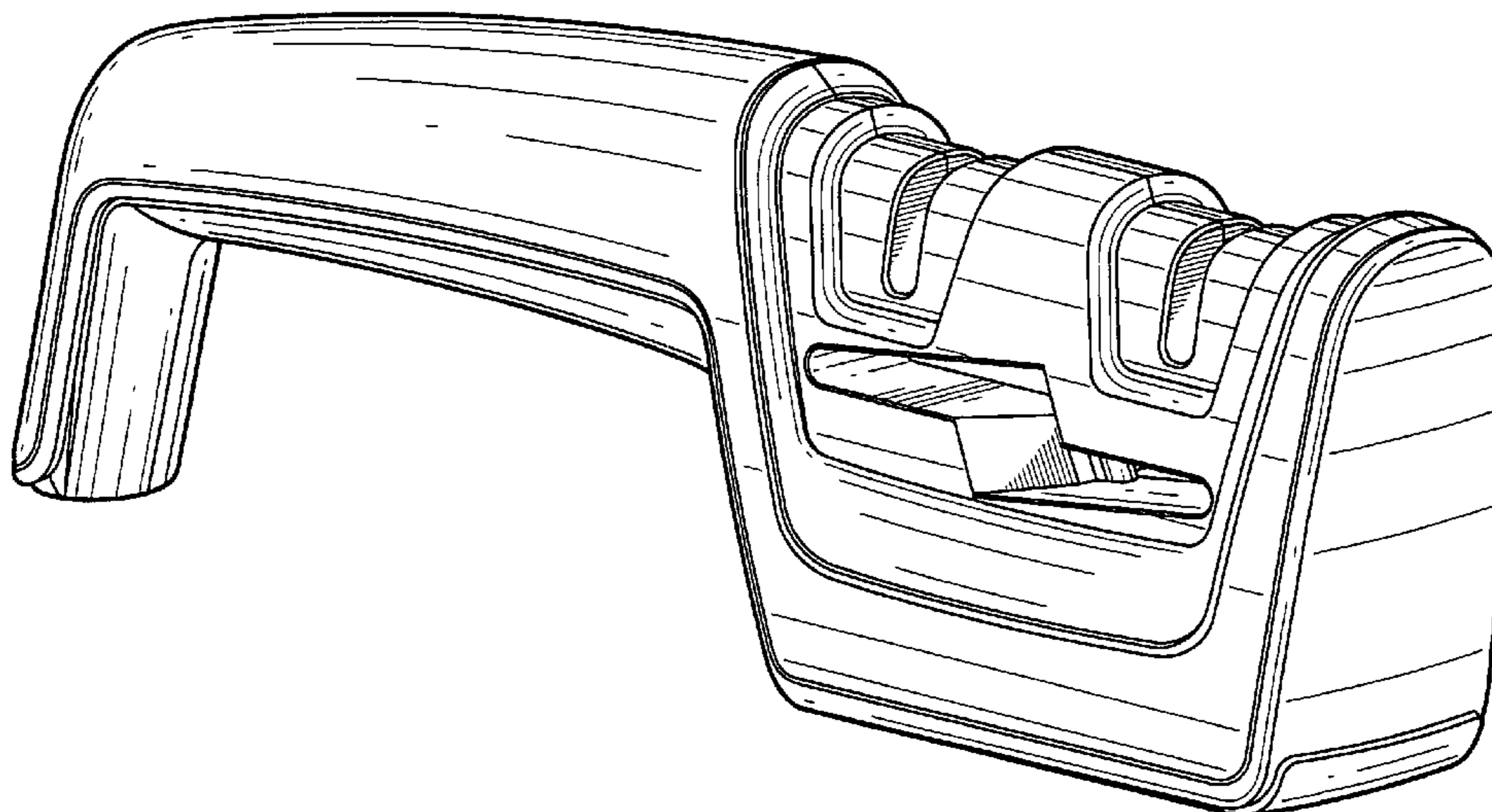
FIG. 5 is a left side elevational view, viewing FIG. 2, of the abrasive sharpener of FIG. 1;

FIG. 6 is a top plan view of the abrasive sharpener of FIG. 1; and,

FIG. 7 is a bottom plan view of the abrasive sharpener of FIG. 1.

The broken lines in FIGS. 4, 6, and 7 illustrate features that form no part of the claimed design.

1 Claim, 4 Drawing Sheets



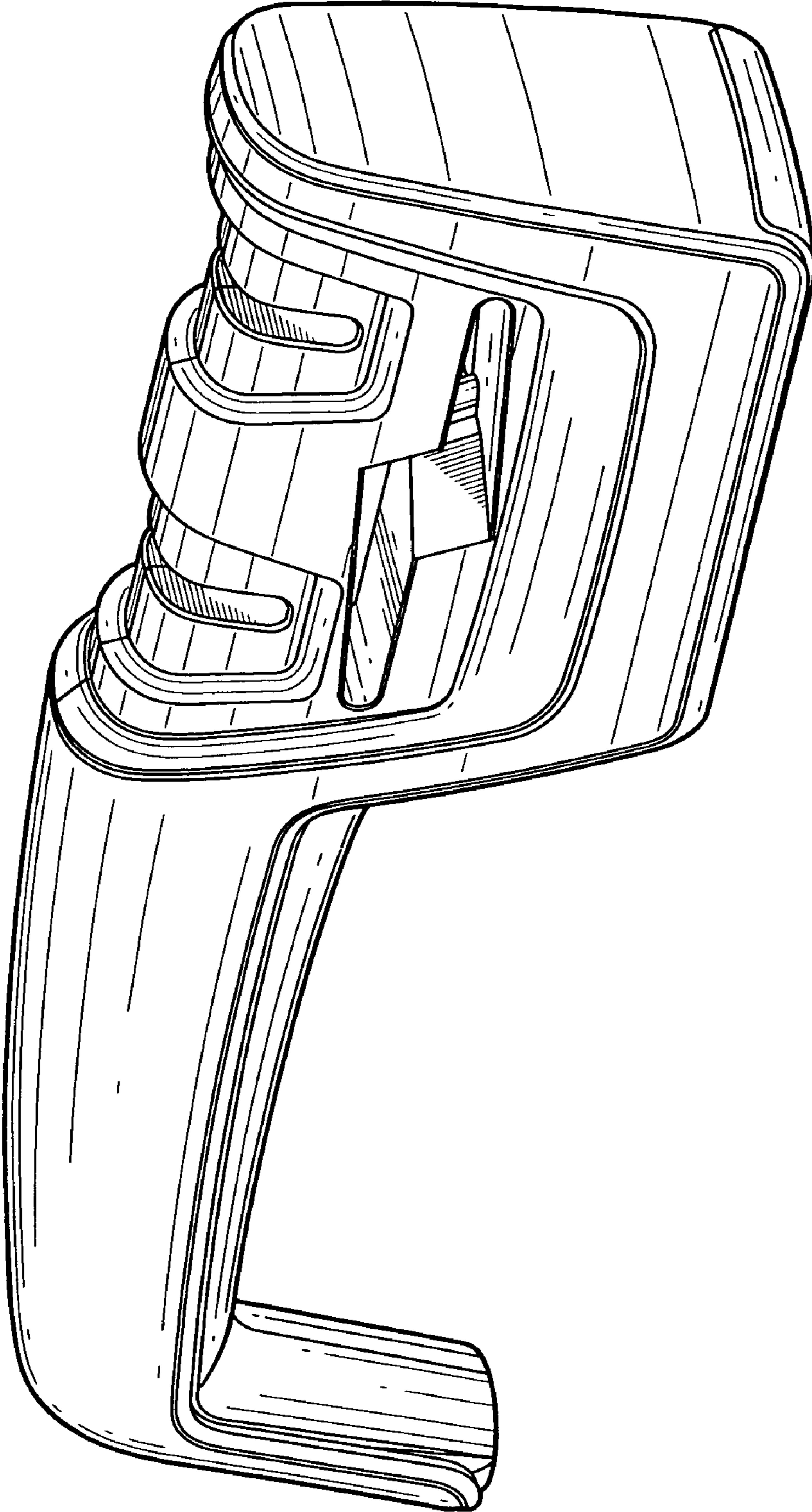


FIG.1

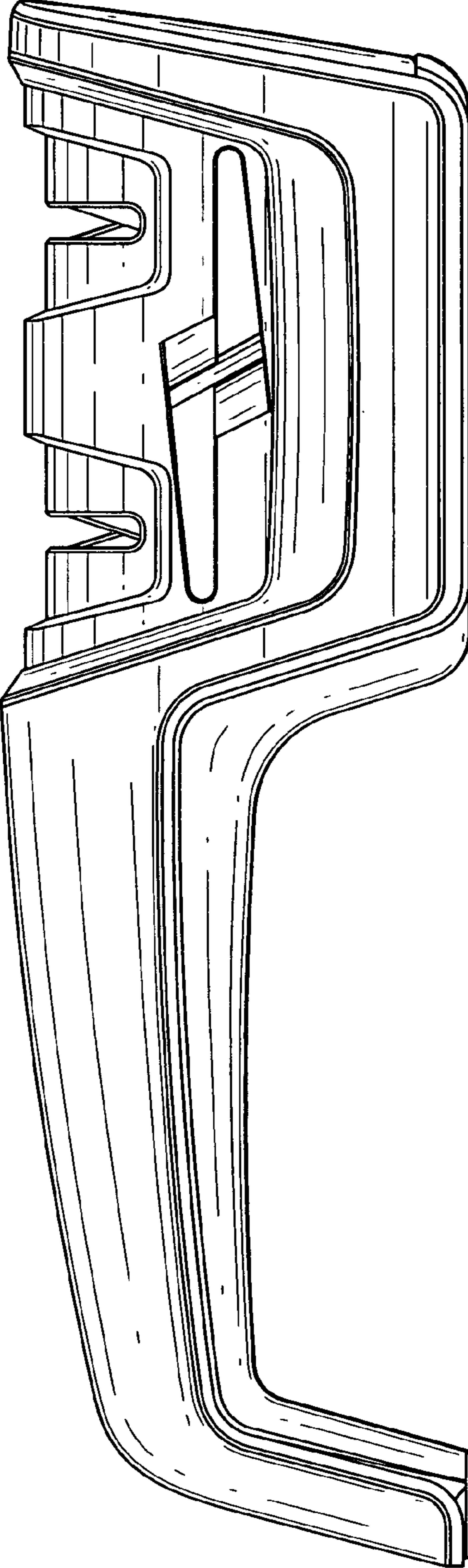


FIG. 2

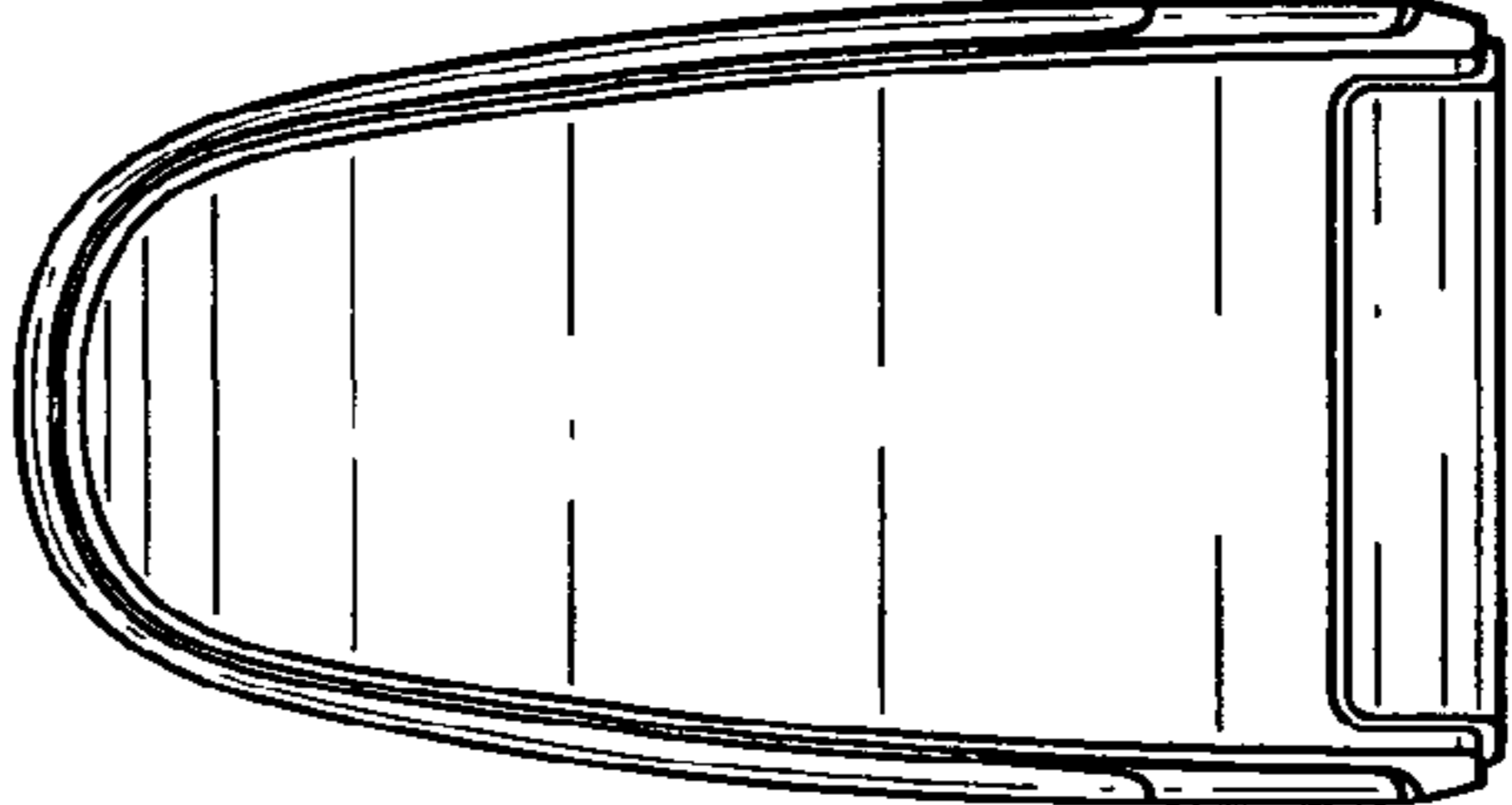


FIG. 3

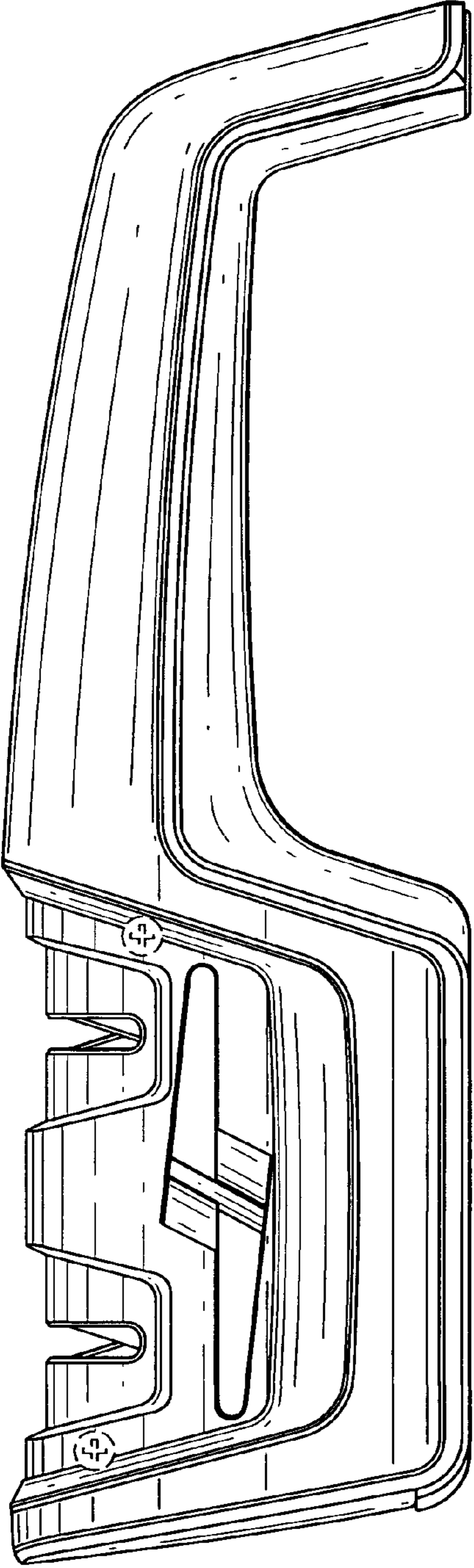


FIG. 4

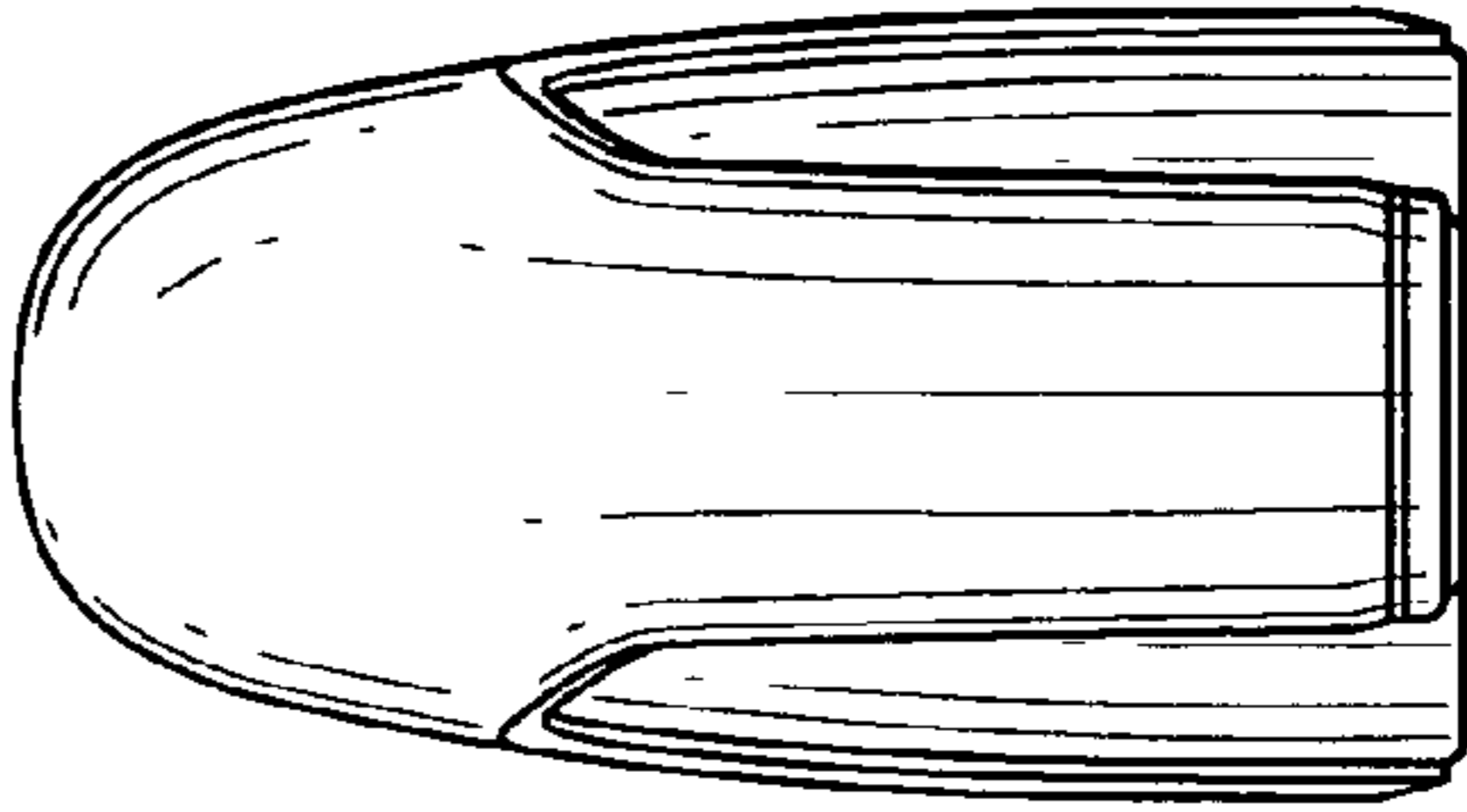


FIG. 5

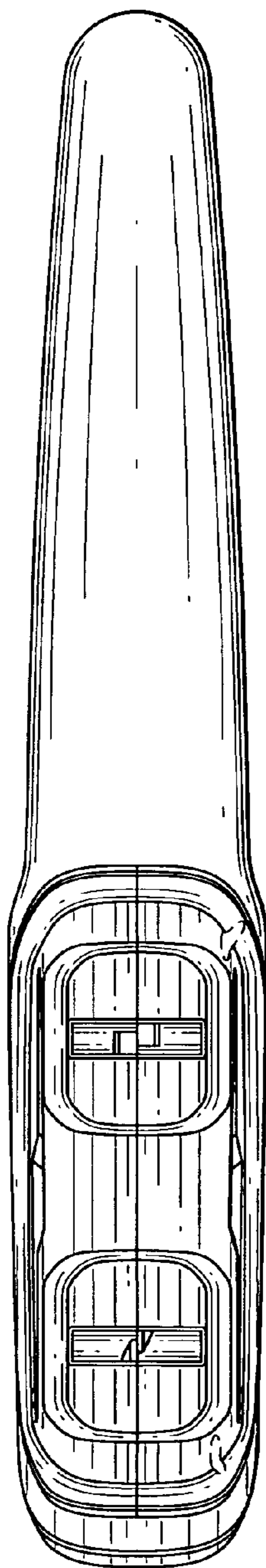


FIG. 6

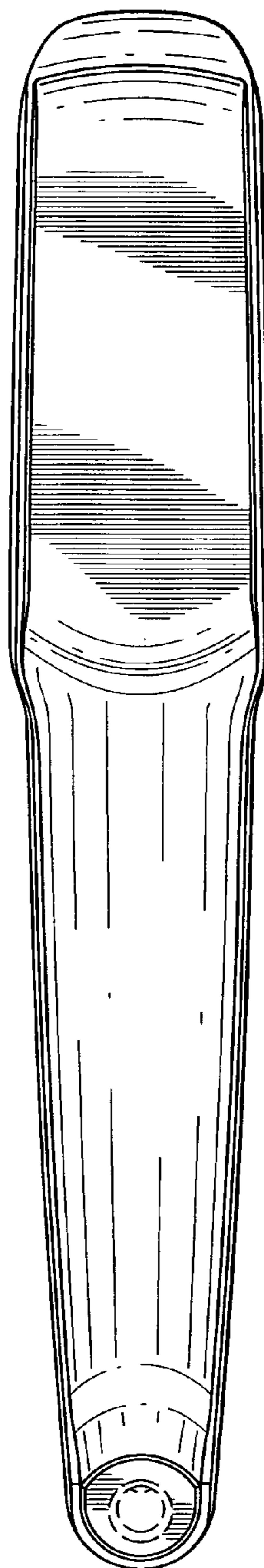


FIG. 7