



US00D640115S

(12) **United States Design Patent**
Huff et al.

(10) **Patent No.:** **US D640,115 S**

(45) **Date of Patent:** **** Jun. 21, 2011**

(54) **MANUAL KNIFE DRESSING TOOL**

(75) Inventors: **Bernard G. Huff**, Belton, MO (US);
Clark A. Levsen, Shawnee, KS (US)

(73) Assignee: **Hantover, Inc.**, Kansas City, MO (US)

(**) Term: **14 Years**

(21) Appl. No.: **29/327,000**

(22) Filed: **Oct. 28, 2008**

(51) **LOC (9) Cl.** **08-05**

(52) **U.S. Cl.** **D8/93**

(58) **Field of Classification Search** D8/63,
D8/90-94; 76/82, 84, 86-89; 451/192-194,
451/552, 555-558

See application file for complete search history.

(56) **References Cited**

U.S. PATENT DOCUMENTS

572,190	A *	12/1896	Brinkman	76/86
578,440	A *	3/1897	Beaudin	76/86
611,369	A *	9/1898	Shaffer	76/88
D470,382	S *	2/2003	Kurz	D8/93
D622,573	S *	8/2010	Friesen et al.	D8/93
2009/0056503	A1 *	3/2009	Friesen et al.	76/82

OTHER PUBLICATIONS

Product Brochure Depicting Prior Art Knife Dressing Tool.

* cited by examiner

Primary Examiner — Philip S Hyder

Assistant Examiner — Roselynn Cody

(74) *Attorney, Agent, or Firm* — Hovey Williams LLP

(57) **CLAIM**

The ornamental design for a manual knife dressing tool, as shown and described.

DESCRIPTION

FIG. 1 is a top perspective view of a manual knife dressing tool embodying our design;

FIG. 2 is a bottom perspective view of the manual knife dressing tool depicted in FIG. 1;

FIG. 3 is a side elevation view of the manual knife dressing tool depicted in FIGS. 1 and 2, with the opposite side elevation being a mirror image thereof;

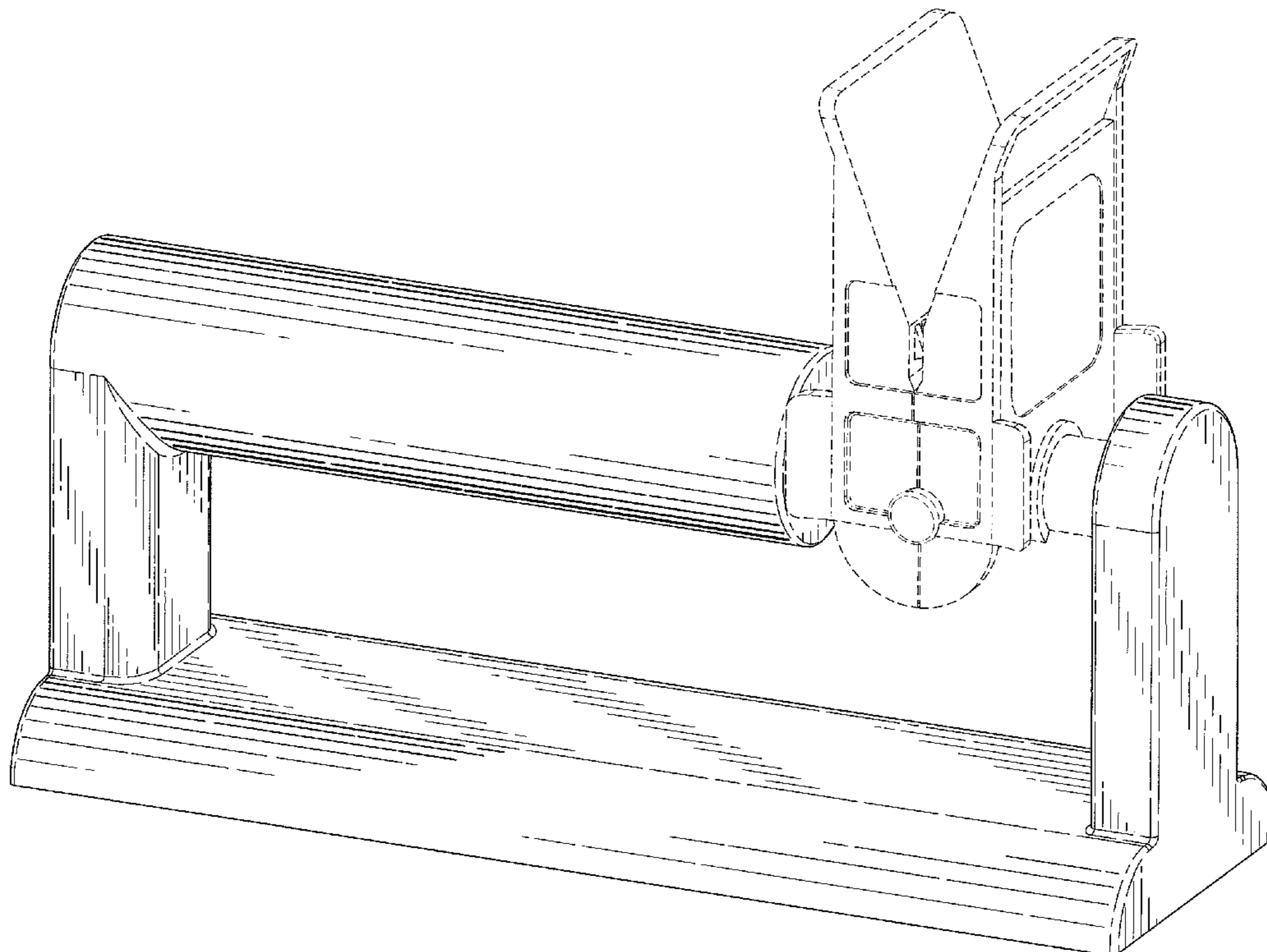
FIG. 4 is a top elevation view of the manual knife dressing tool depicted in FIGS. 1-3;

FIG. 5 is an end elevation view of the manual knife dressing tool depicted in FIGS. 1-4; and,

FIG. 6 is an end elevation view of the manual knife dressing tool opposite that depicted in FIG. 5.

The broken lines in the drawings illustrate knife dressing elements which form no part of the claimed design.

1 Claim, 5 Drawing Sheets



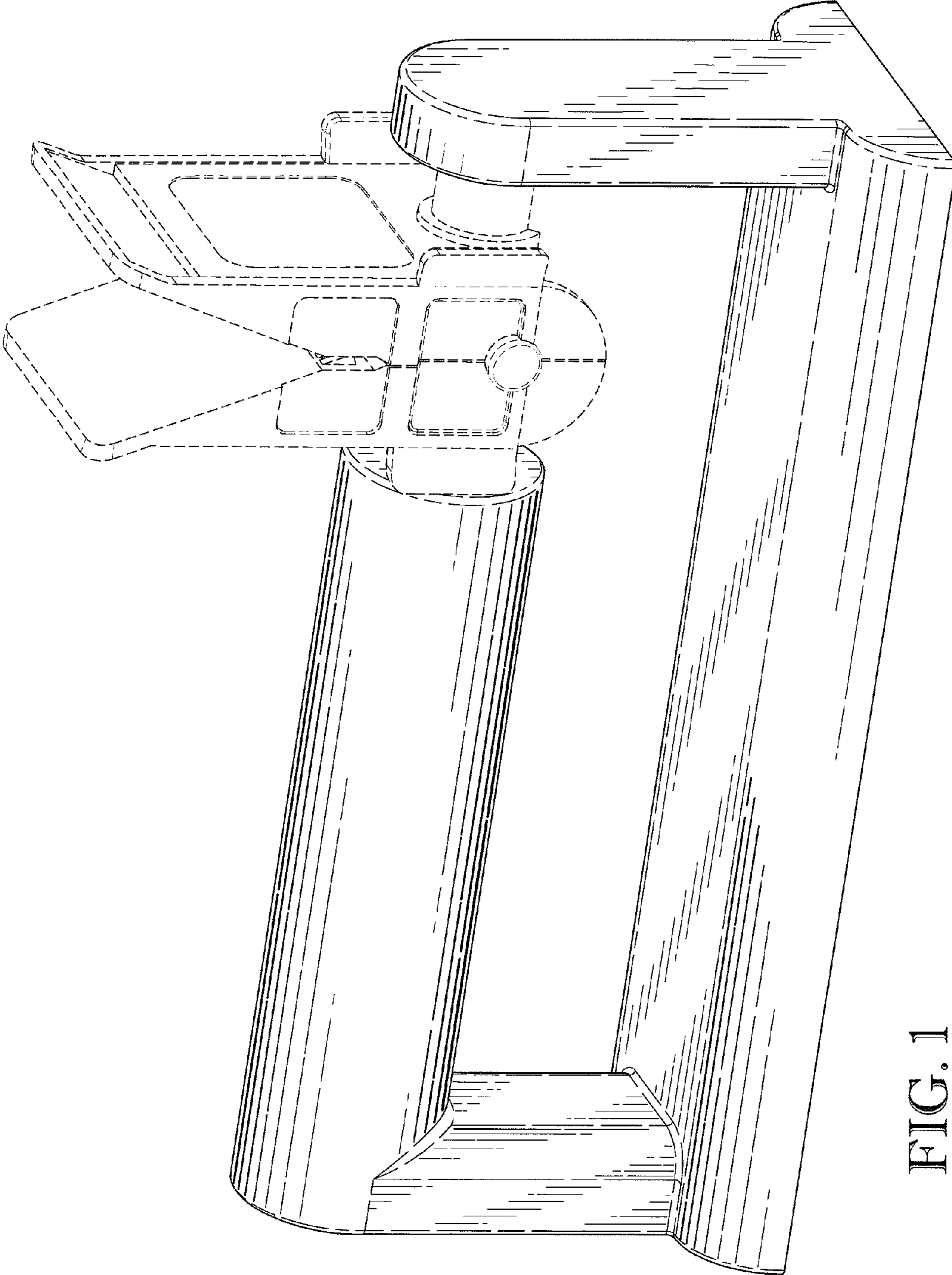


FIG. 1

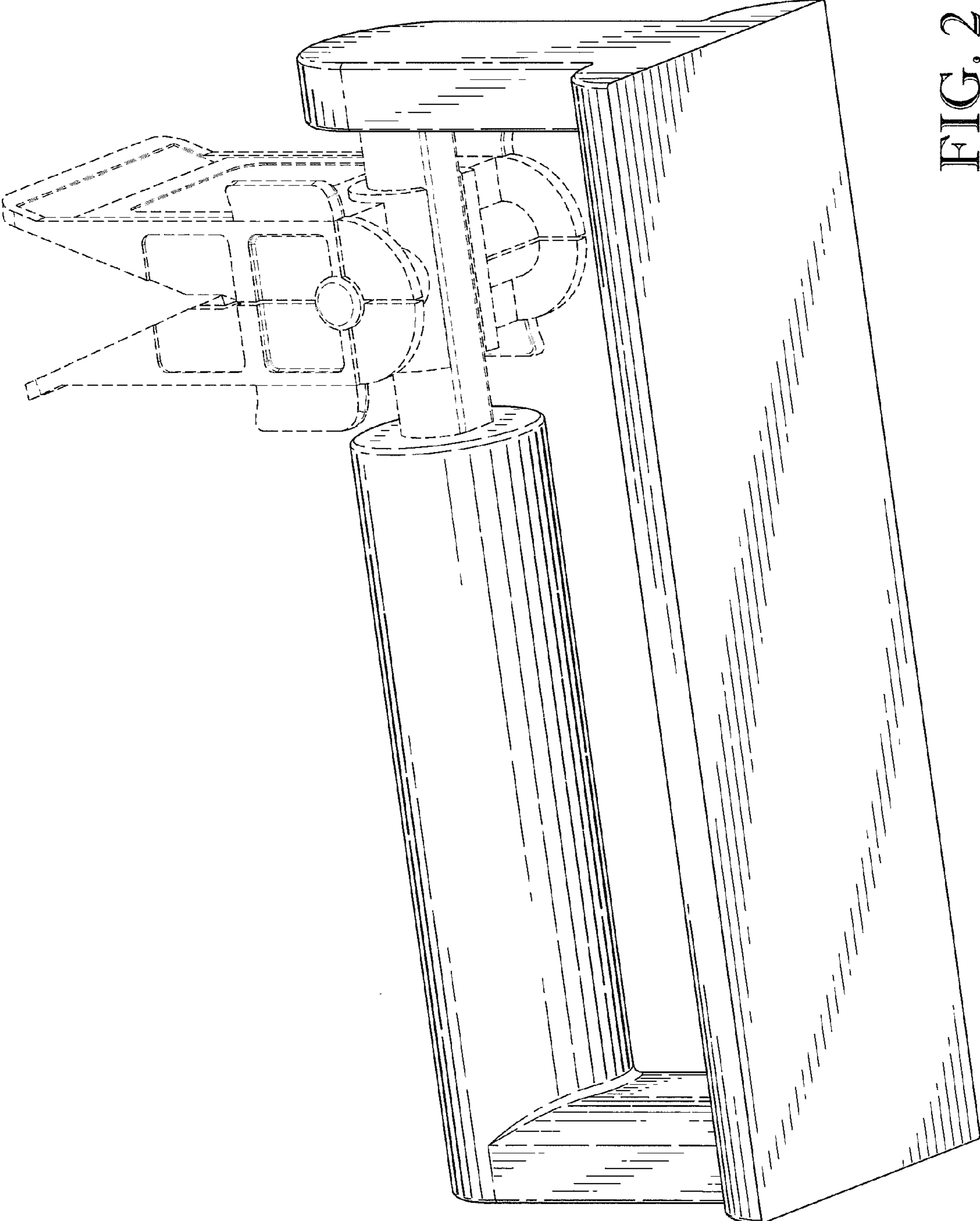


FIG. 2

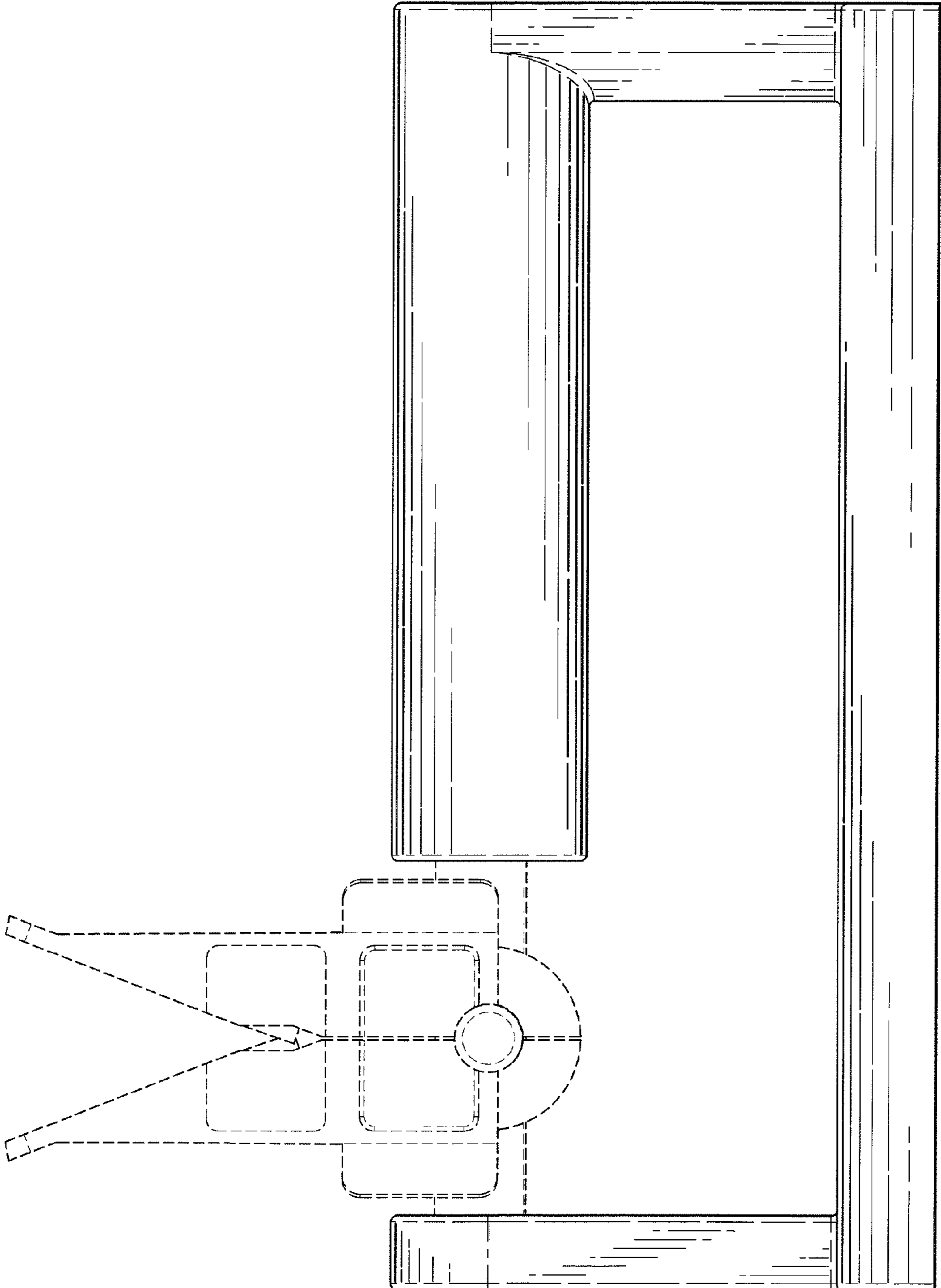


FIG. 3

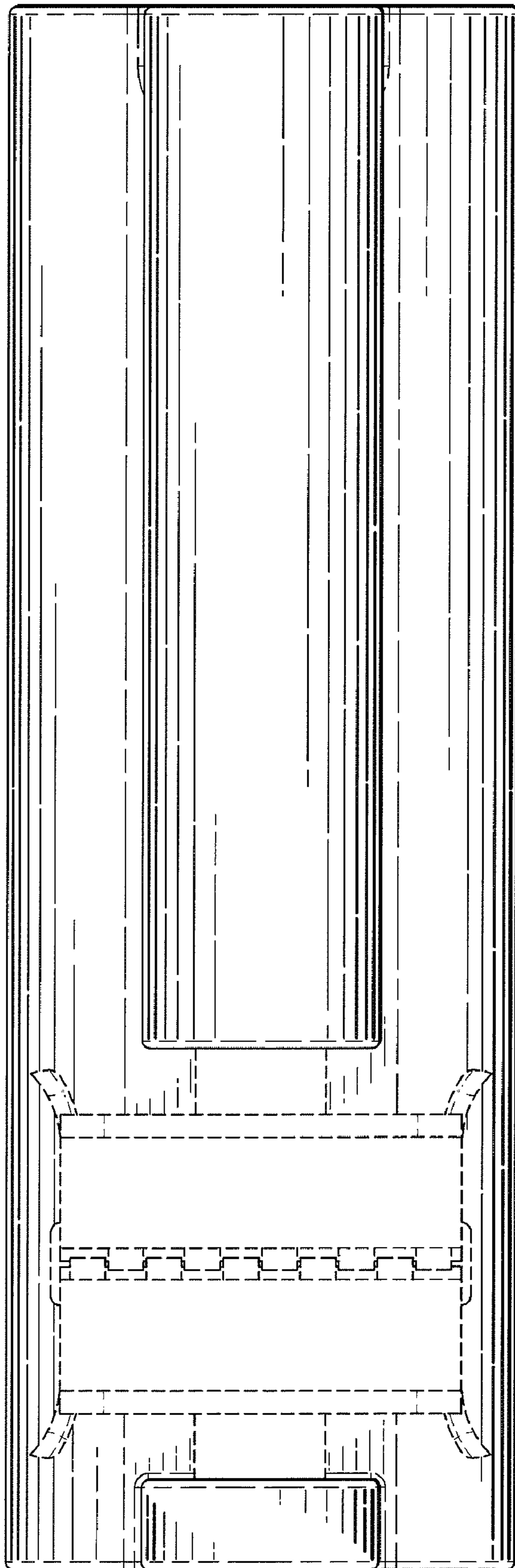


FIG. 4

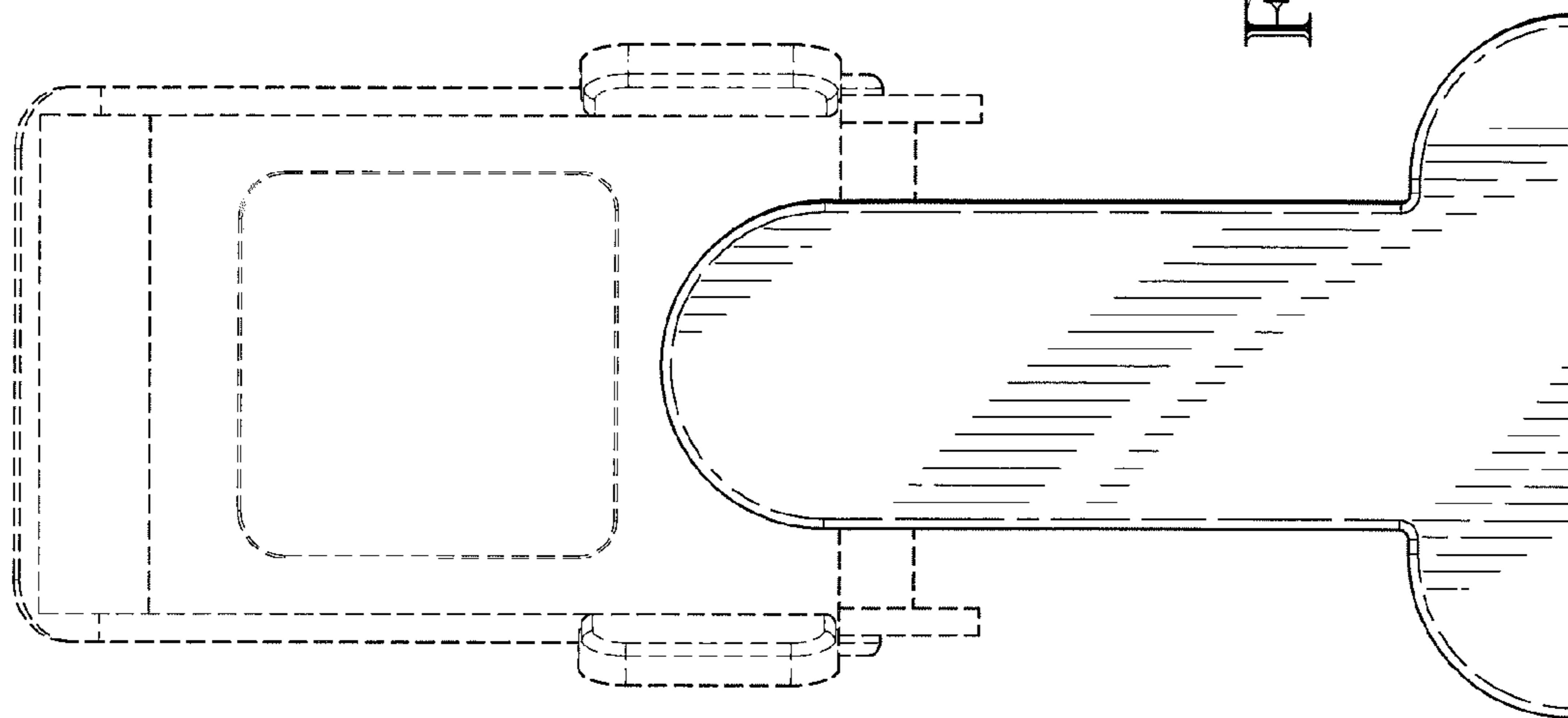


FIG. 5

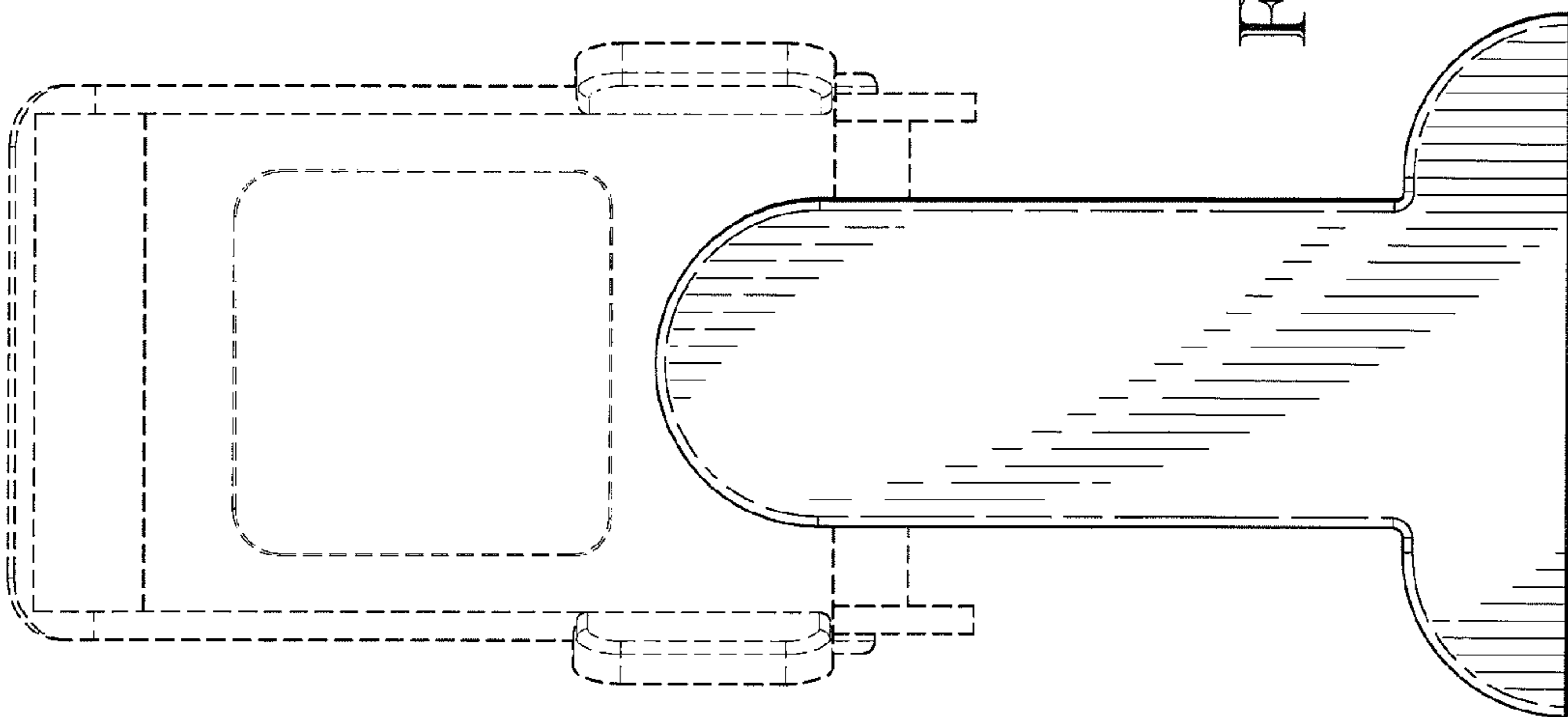


FIG. 6