



US00D640113S

(12) **United States Design Patent**
Krohmer et al.

(10) **Patent No.:** **US D640,113 S**
(45) **Date of Patent:** **** Jun. 21, 2011**

(54) **CROWN MOLDING SUPPORT TOOL**

(74) *Attorney, Agent, or Firm* — Altera Law Group, LLC

(75) Inventors: **Steven Krohmer**, Coon Rapids, MN (US); **James J. Frey**, Edina, MN (US); **Daniel L. Wenning**, Minneapolis, MN (US); **Daniel P. Banasik**, Eagan, MN (US)

(57) **CLAIM**

The ornamental design for a crown molding support tool, as shown and described.

(73) Assignee: **Rockler Companies, Inc.**, Medina, MN (US)

DESCRIPTION

(**) Term: **14 Years**

FIG. 1 is an isometric view thereof;
FIG. 2 is a left side view thereof;
FIG. 3 is a right side view thereof;
FIG. 4 is a front view thereof;
FIG. 5 is a rear view thereof;
FIG. 6 is a top view thereof;
FIG. 7 is a bottom view thereof;
FIG. 8 is an isometric view of a second embodiment thereof;
FIG. 9 is a right side view thereof;
FIG. 10 is a left side view thereof;
FIG. 11 is a rear view thereof;
FIG. 12 is a front view thereof;
FIG. 13 is a top view thereof;
FIG. 14 is a bottom view thereof;
FIG. 15 is an isometric view of a third embodiment thereof;
FIG. 16 is a right side view thereof;
FIG. 17 is a left side view thereof;
FIG. 18 is a front view thereof;
FIG. 19 is a rear view thereof;
FIG. 20 is a top view thereof;
FIG. 21 is a bottom view thereof;
FIG. 22 is an isometric view of a fourth embodiment thereof;
FIG. 23 is a left side view thereof;
FIG. 24 is a right side view thereof;
FIG. 25 is a front side view thereof;
FIG. 26 is a rear view thereof;
FIG. 27 is a top view thereof; and,
FIG. 28 is a bottom view thereof.

(21) Appl. No.: **29/358,982**

(22) Filed: **Apr. 2, 2010**

(51) **LOC (9) Cl.** **08-05**

(52) **U.S. Cl.** **D8/71**

(58) **Field of Classification Search** D8/71;
248/911-913, 354.1, 354.3, 654.5, 354.6,
248/357, 405, 407, 188.5, 205.1, 207; 52/127.2;
182/129

See application file for complete search history.

(56) **References Cited**

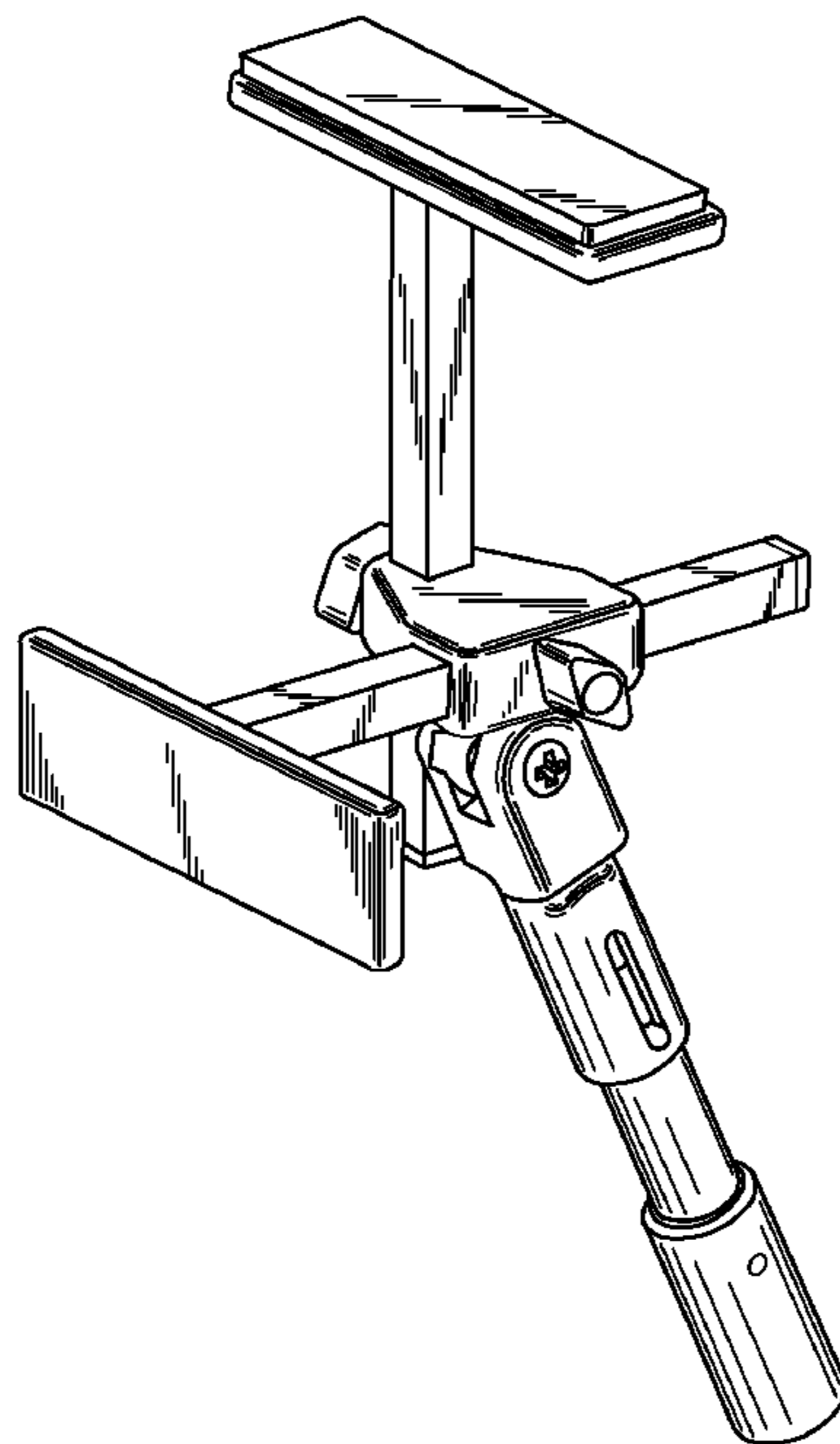
U.S. PATENT DOCUMENTS

5,590,863 A * 1/1997 Sasaki 248/354.3
2006/0218868 A1 * 10/2006 Lewis 52/127.2
2010/0059642 A1 * 3/2010 McLeod 248/207
2010/0288584 A1 * 11/2010 Zinsmeyer 182/129

* cited by examiner

Primary Examiner — Antoine D Davis

1 Claim, 12 Drawing Sheets



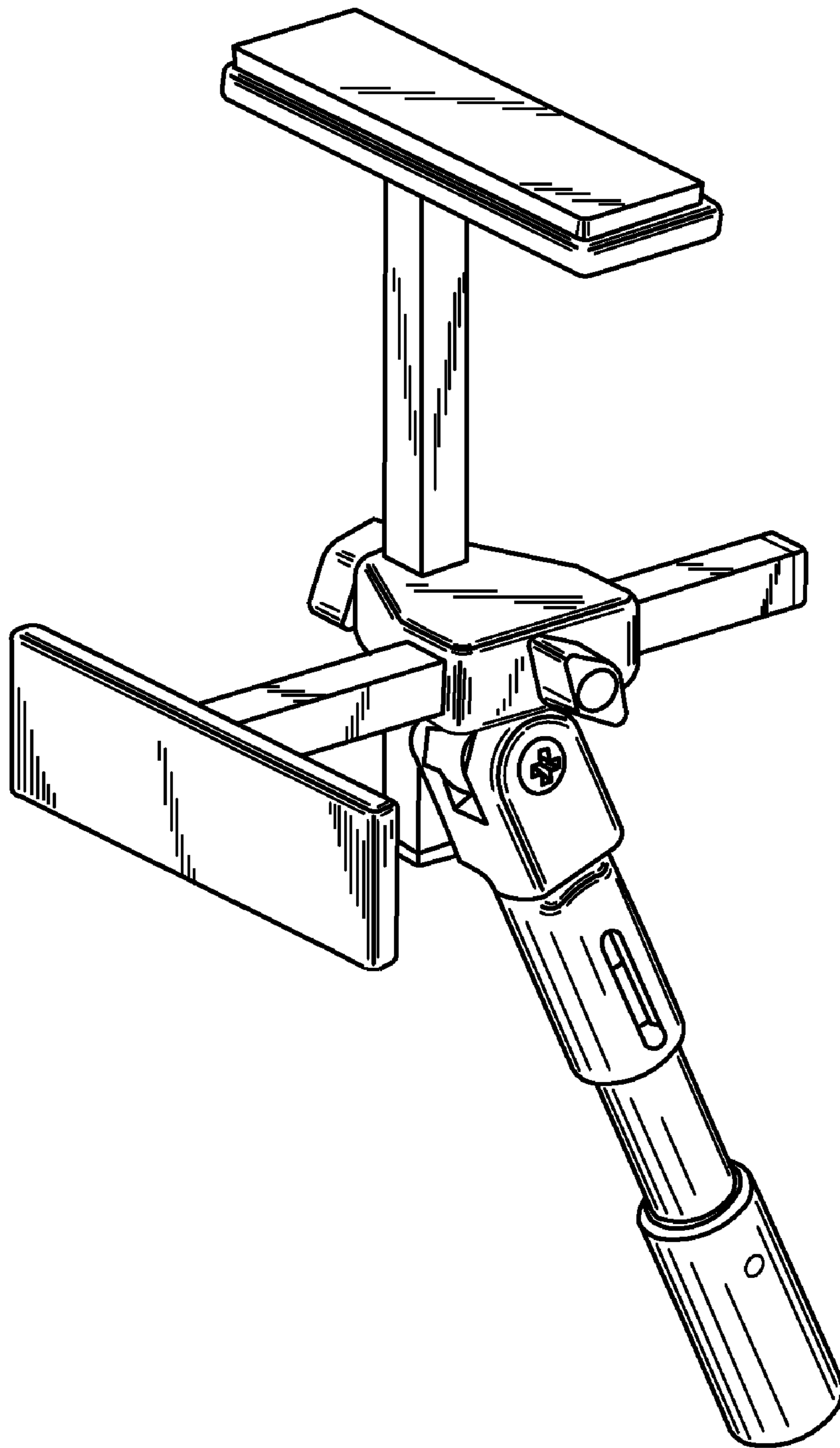


Fig. 1

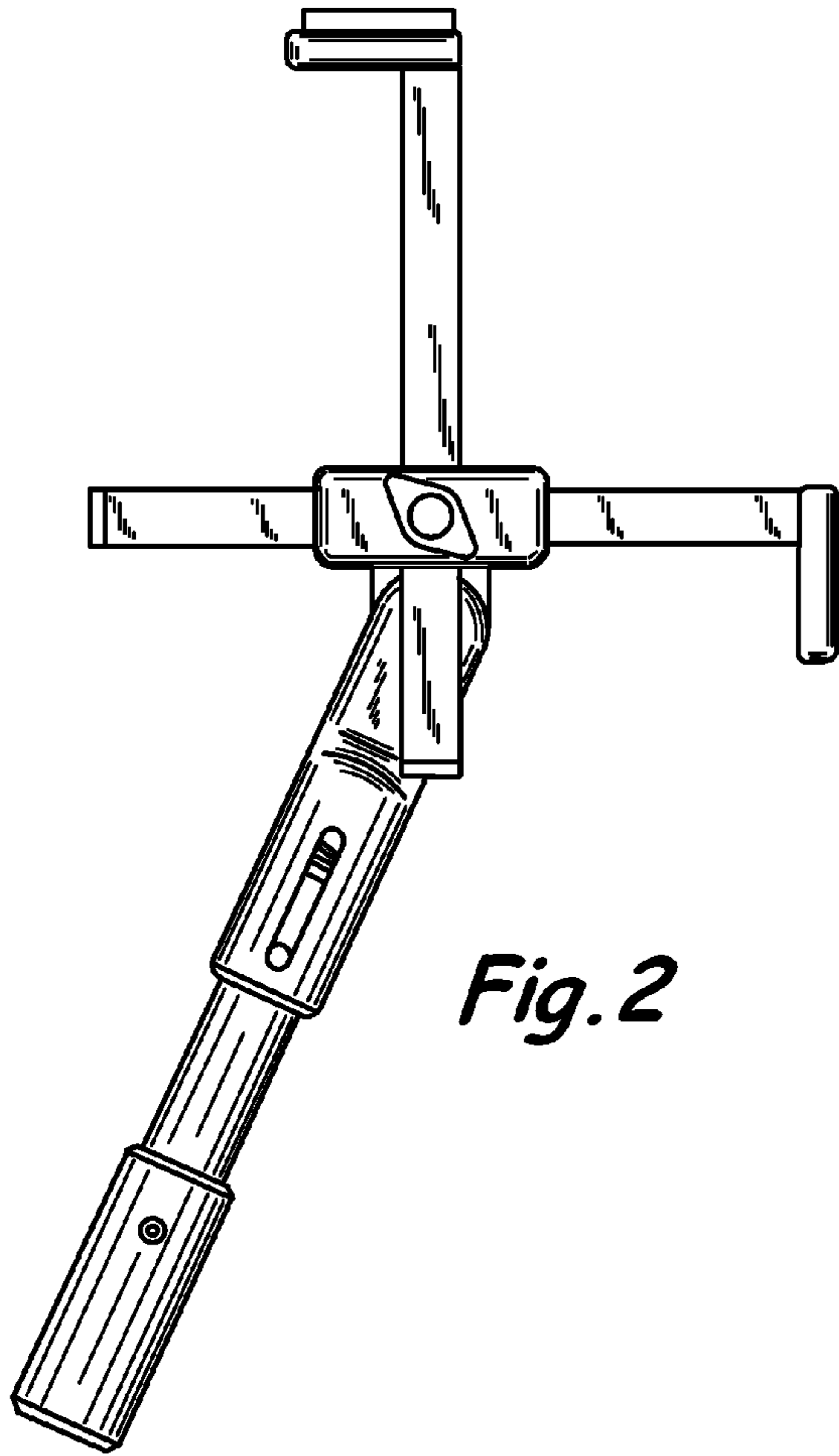


Fig. 2

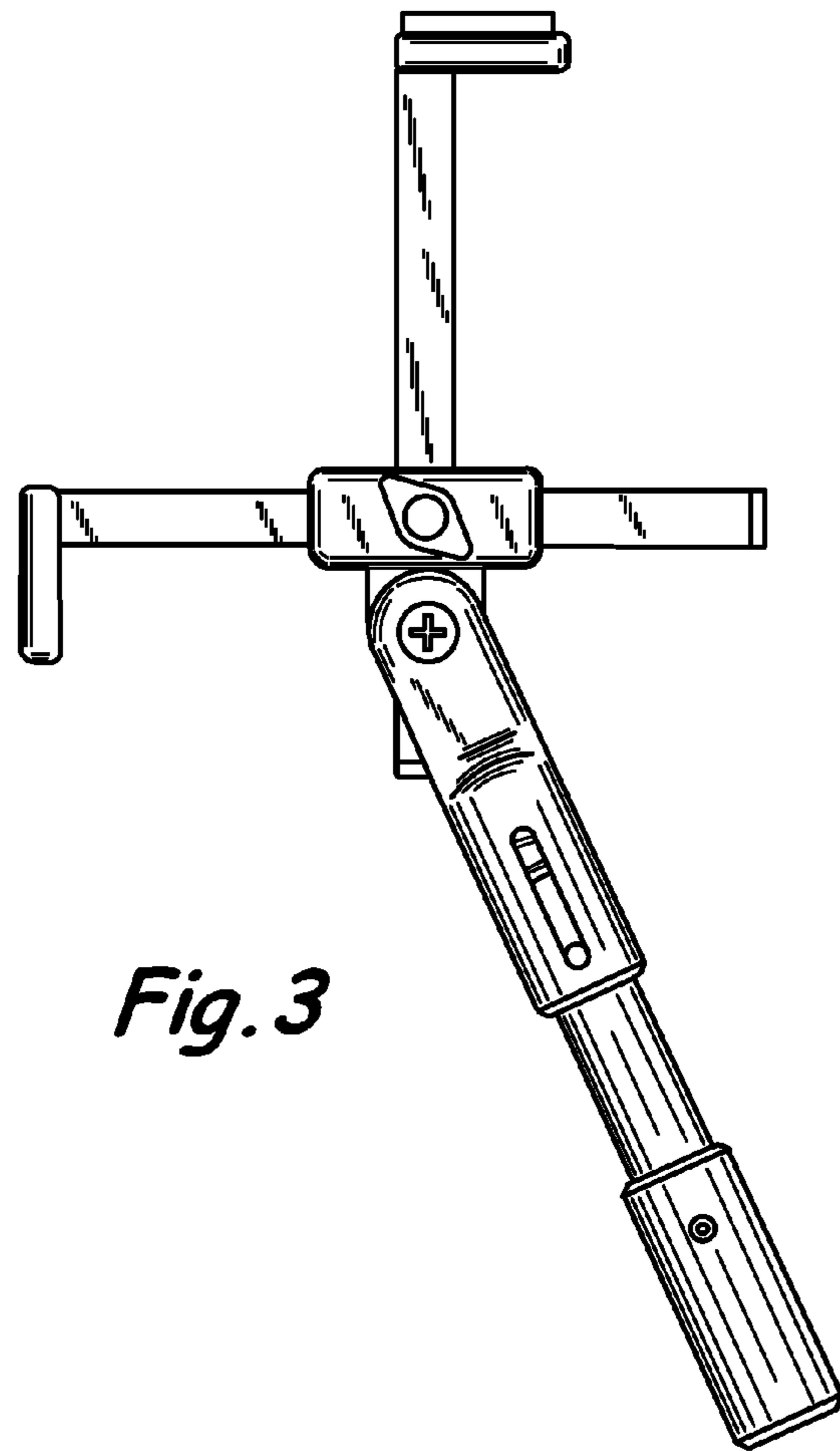


Fig. 3

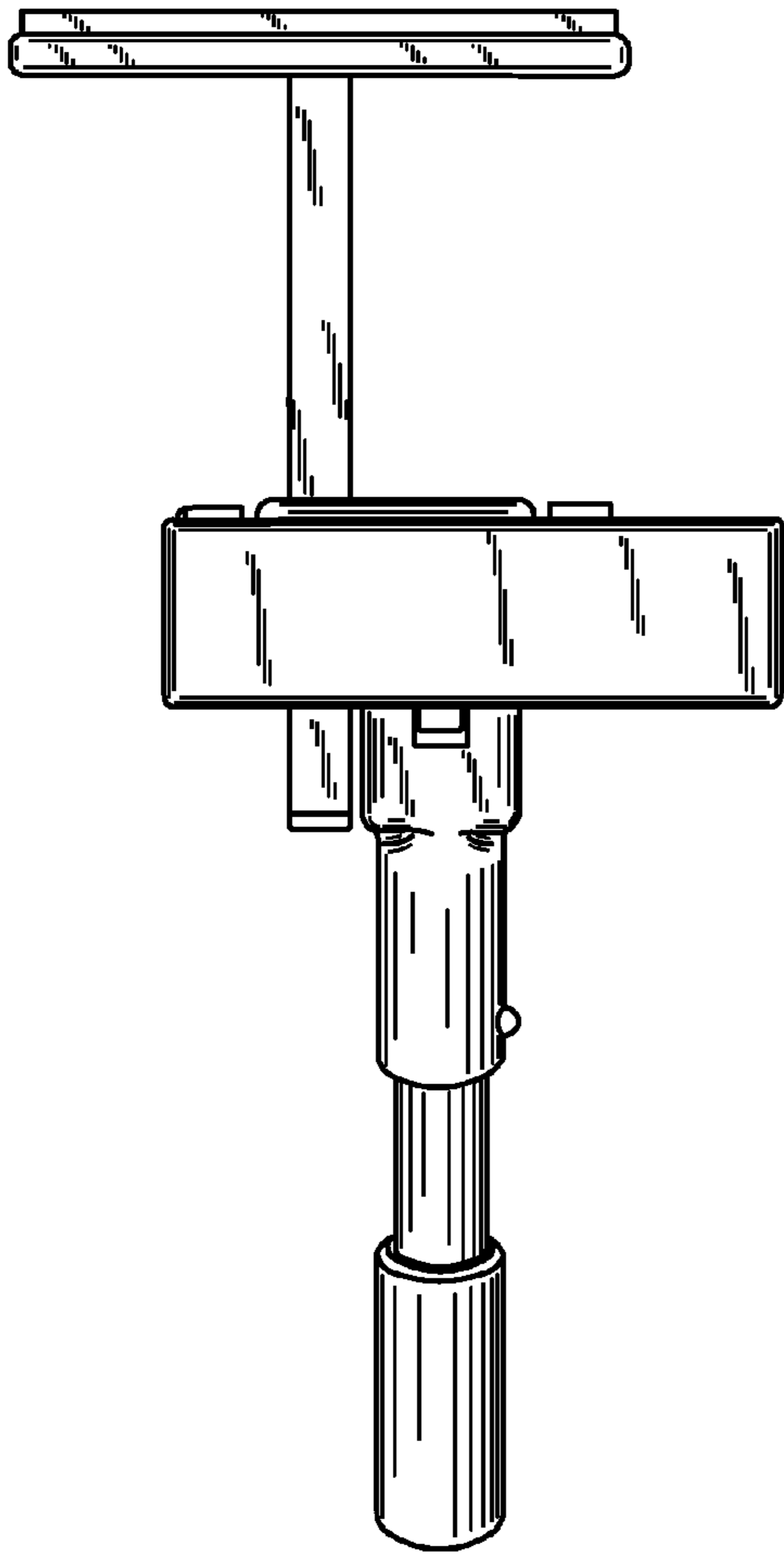


Fig. 4

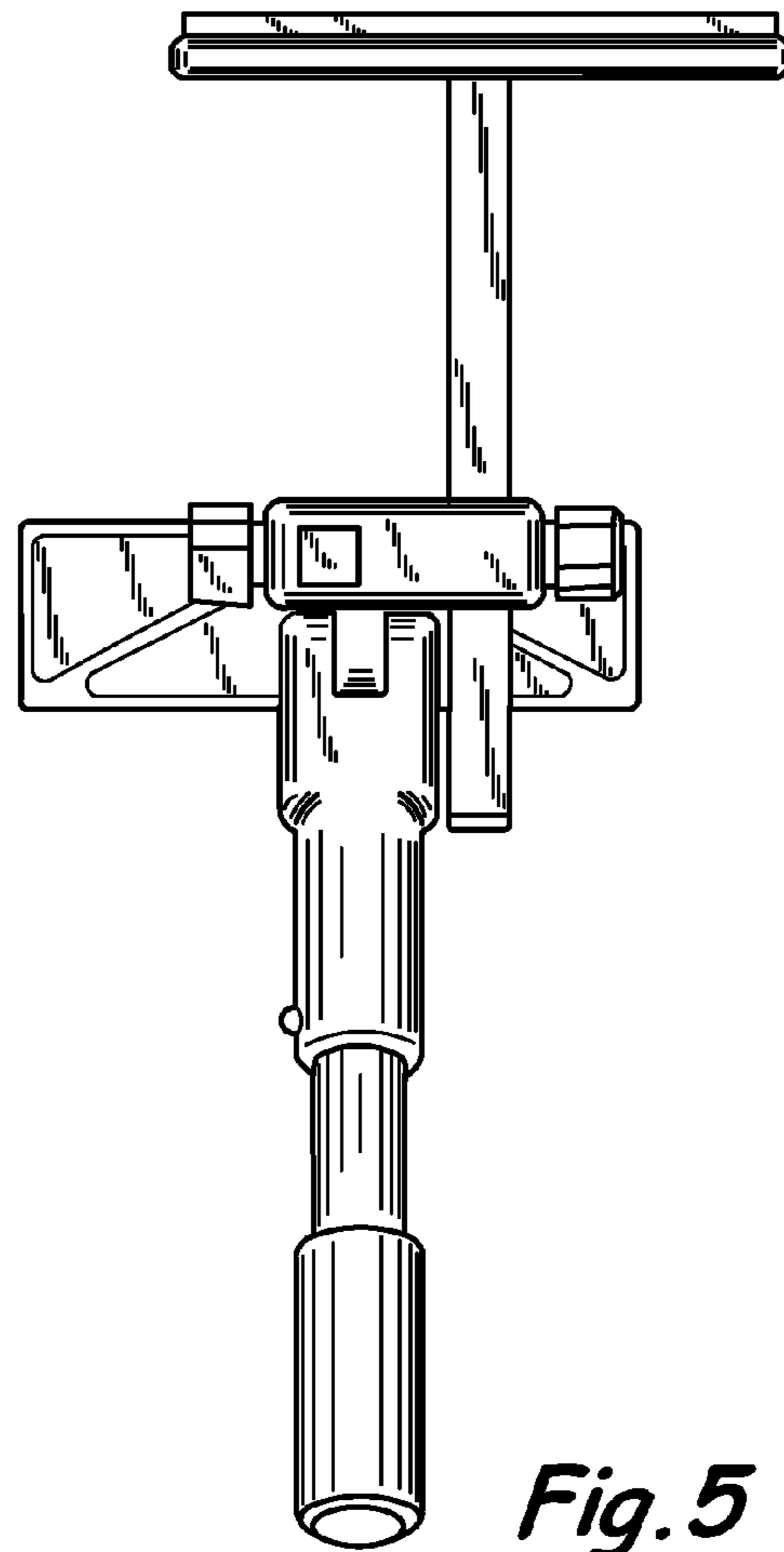


Fig. 5

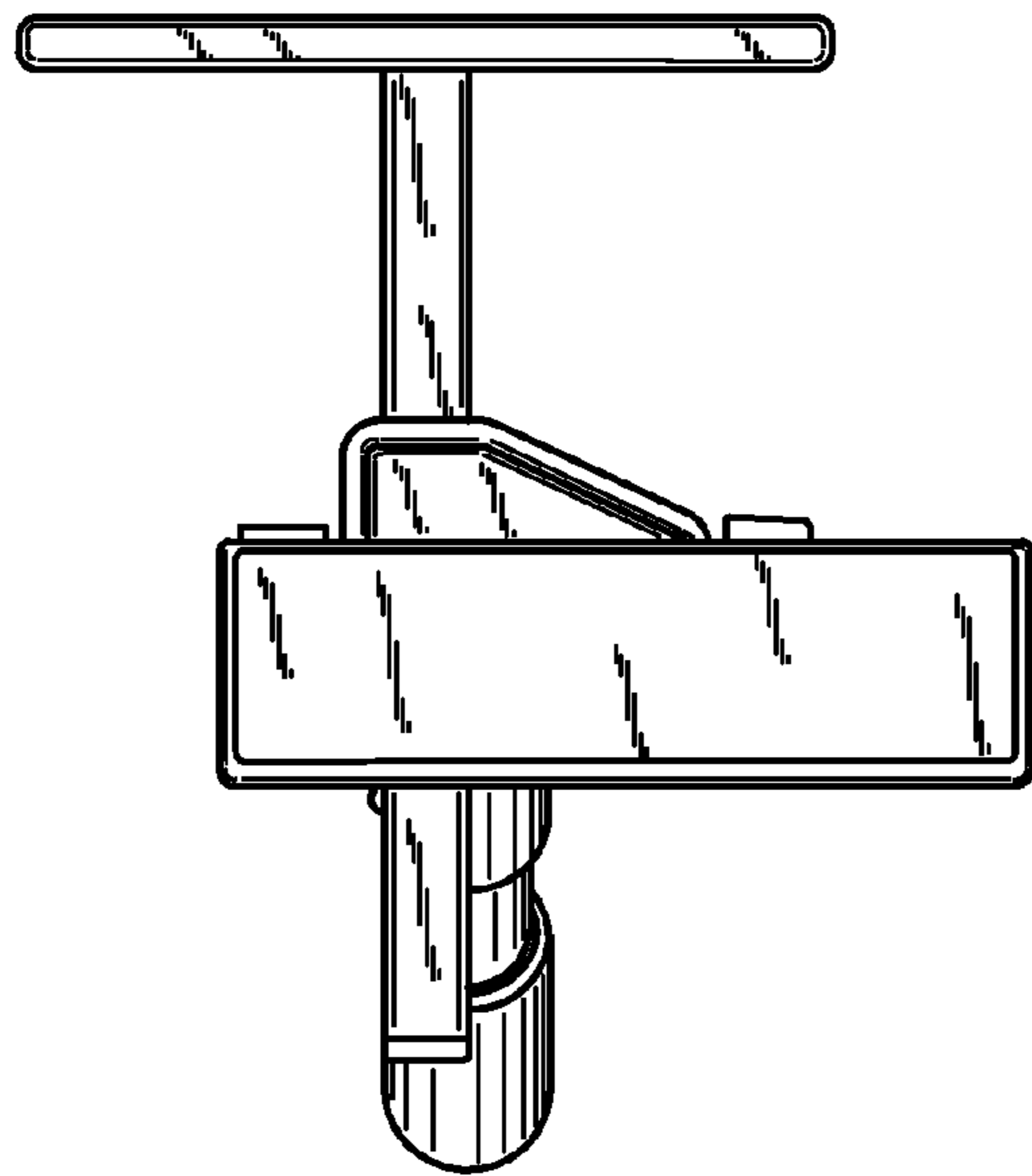


Fig. 6

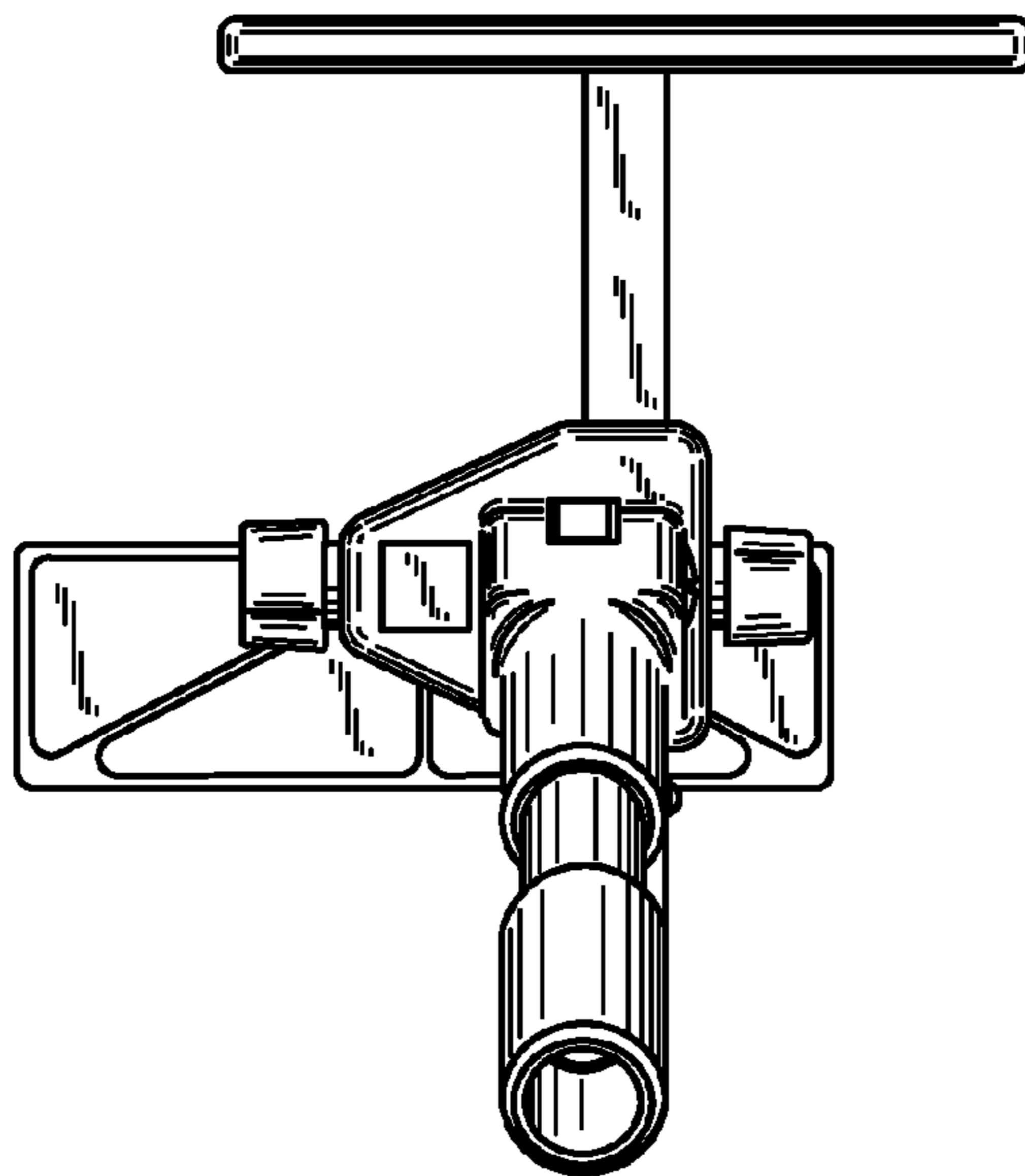


Fig. 7

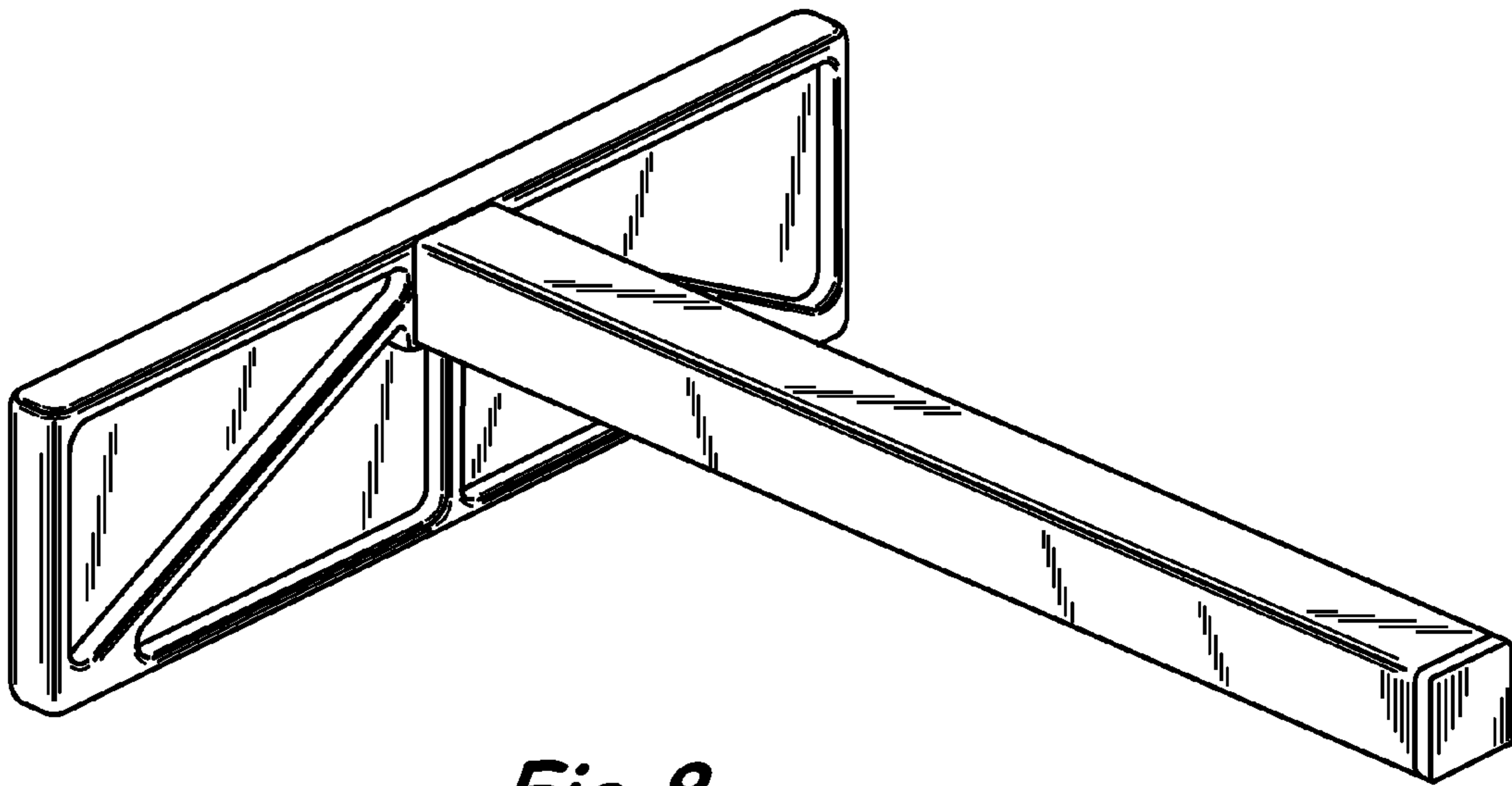


Fig. 8



Fig. 9

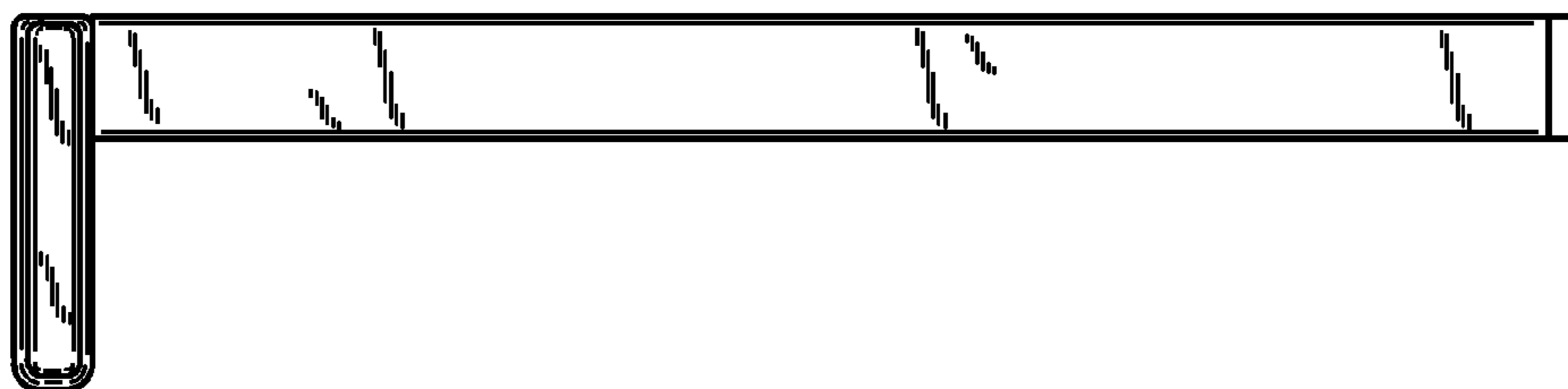


Fig. 10

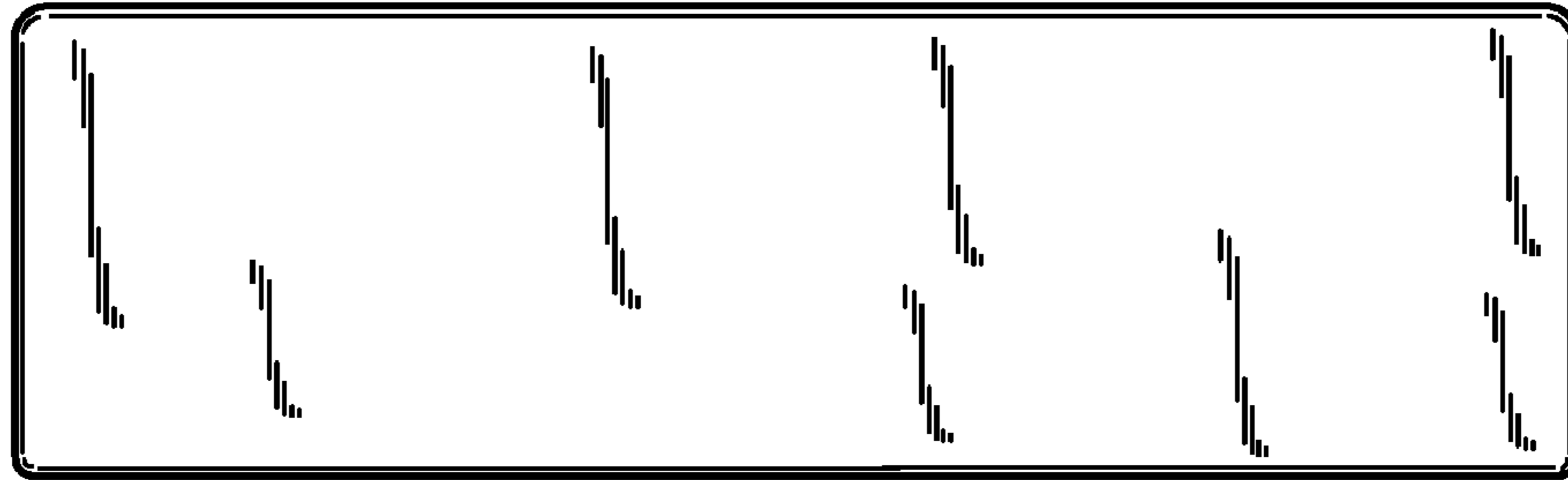


Fig. 11

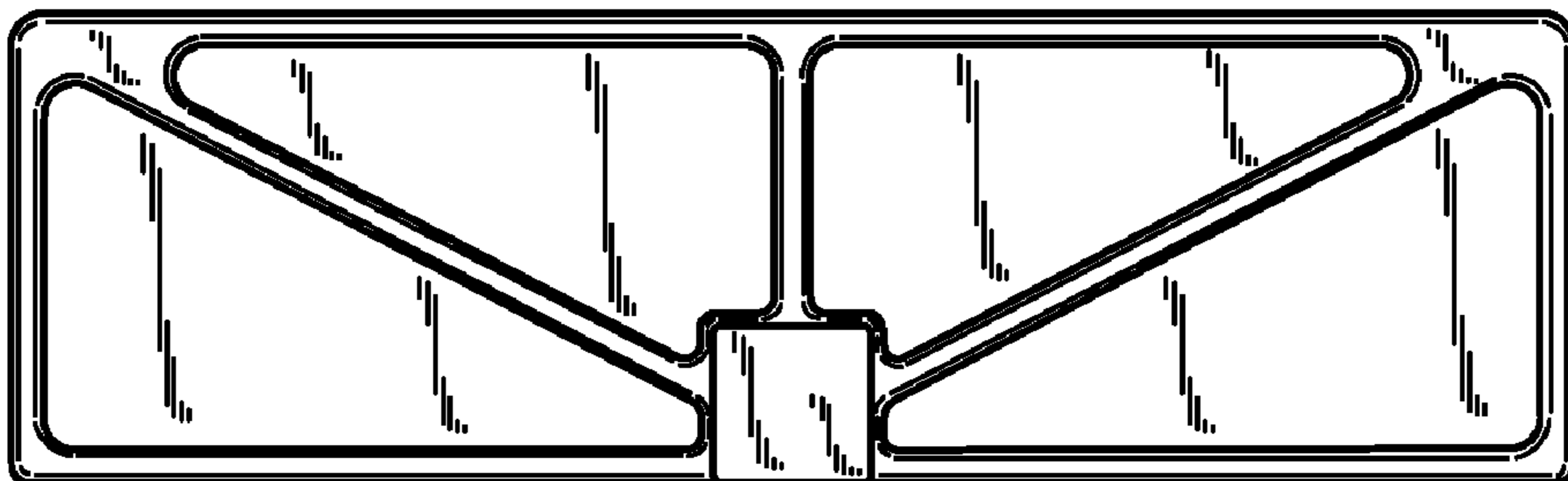


Fig. 12

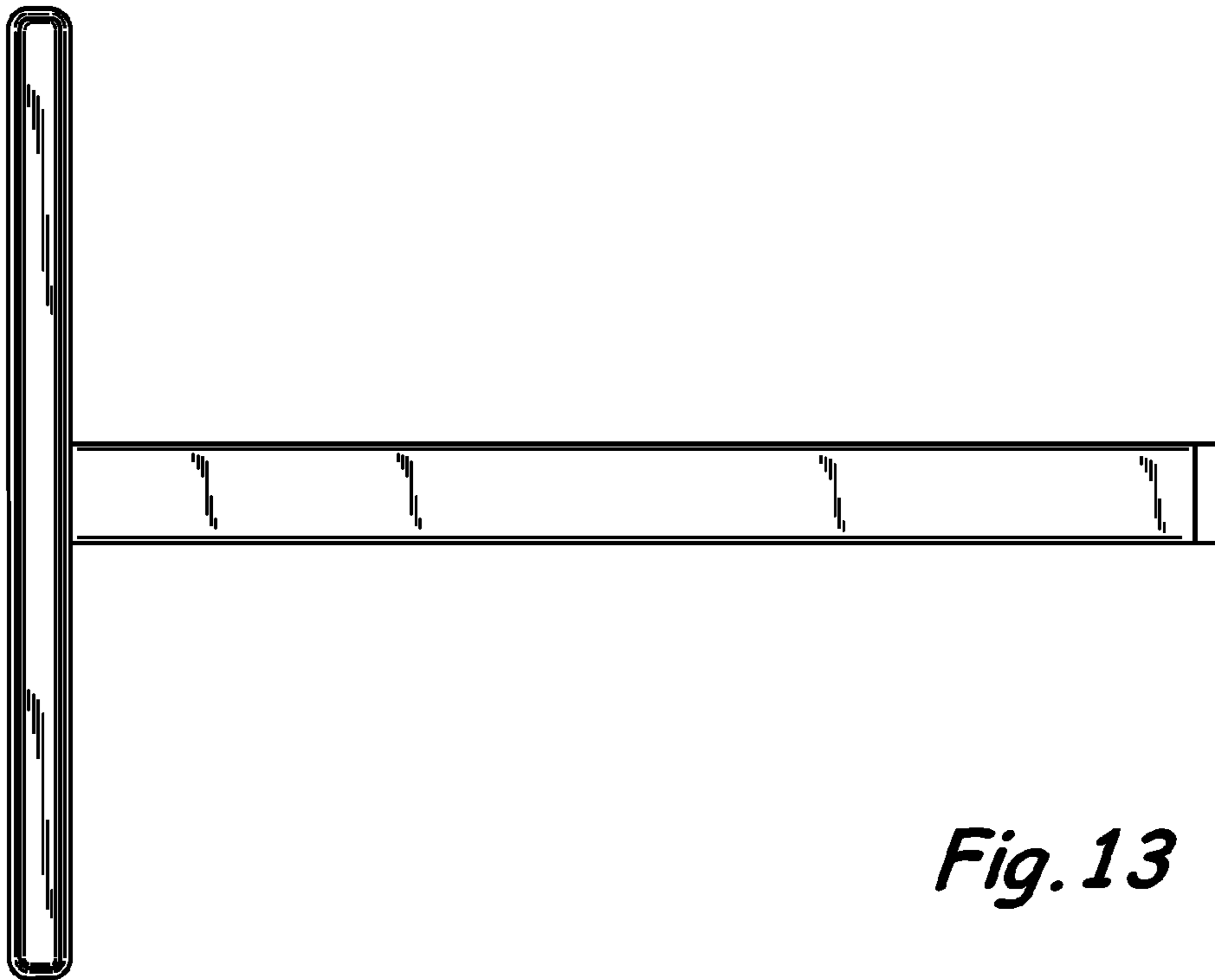


Fig. 13

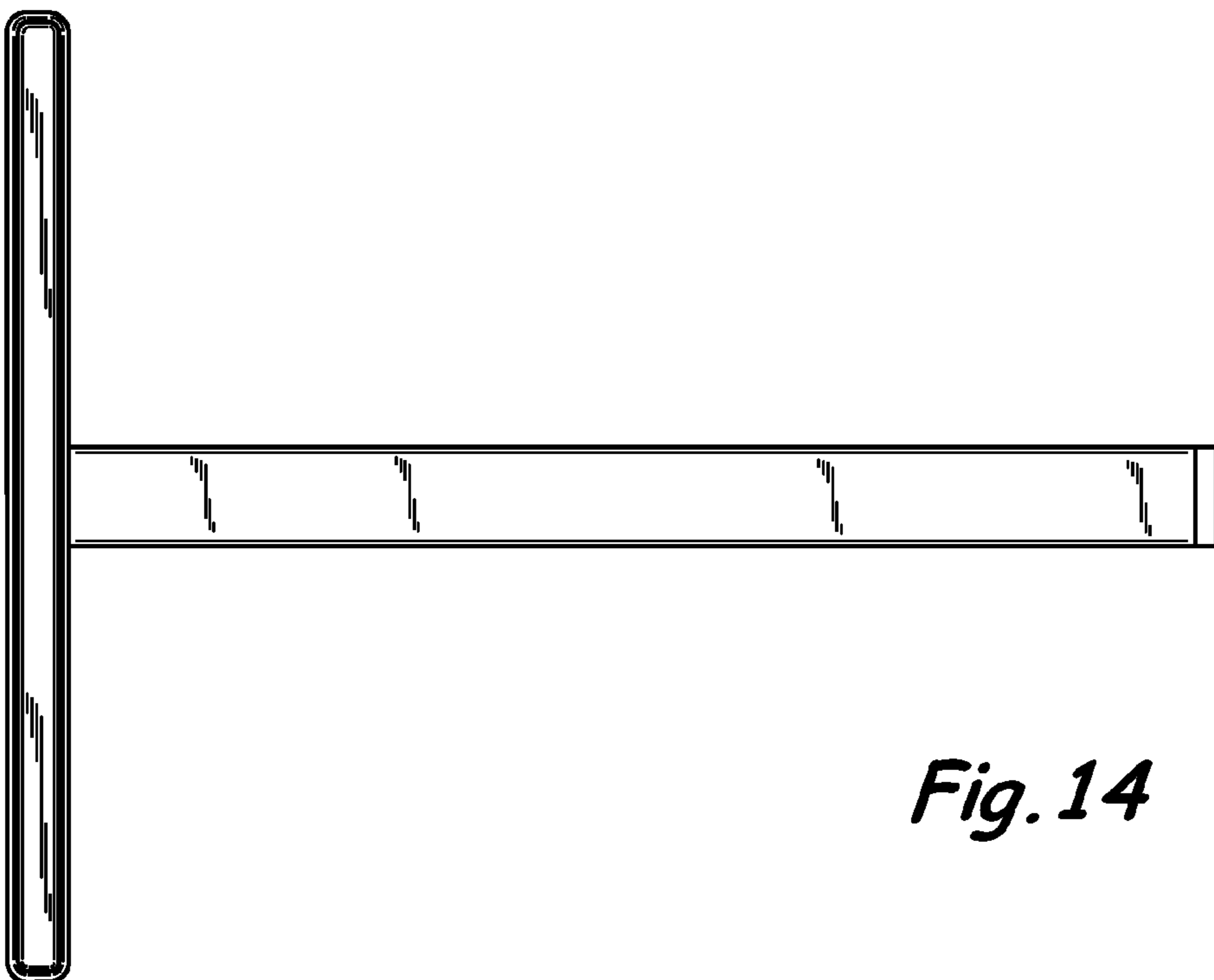


Fig. 14

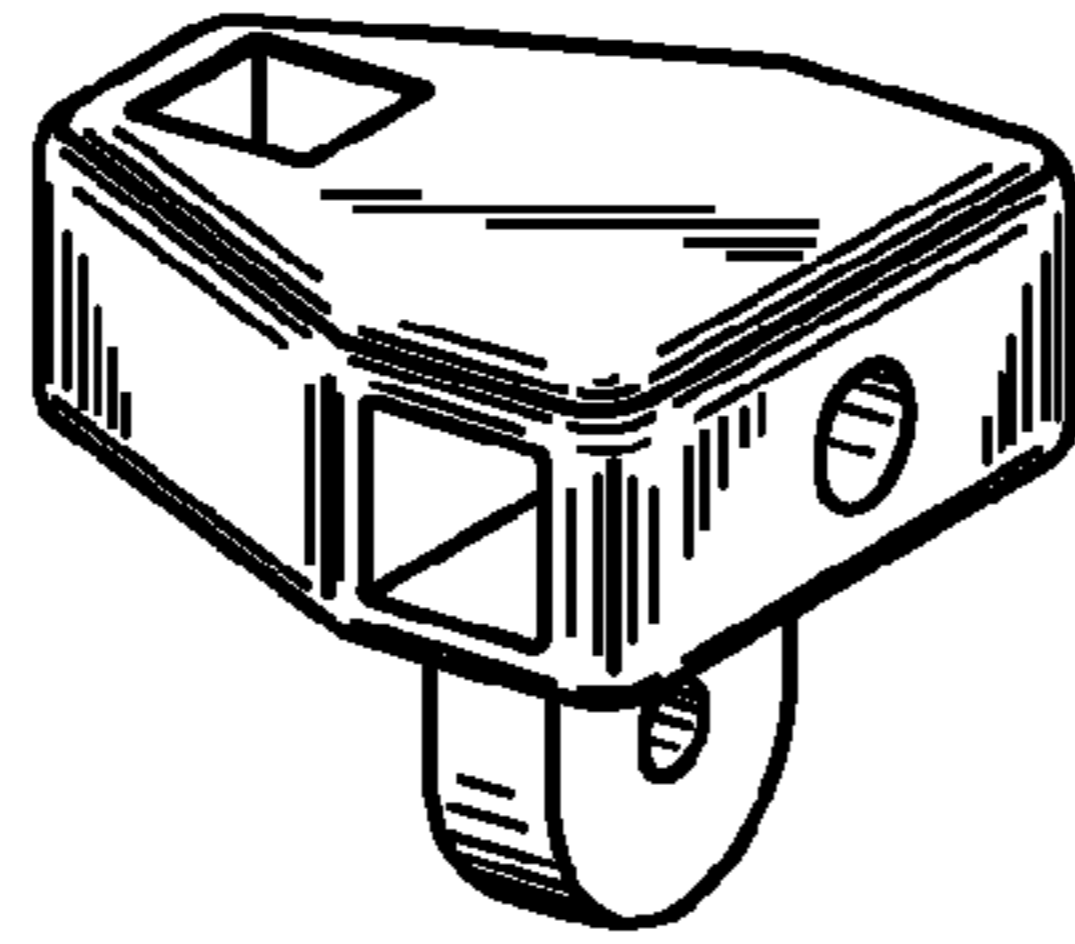


Fig. 15

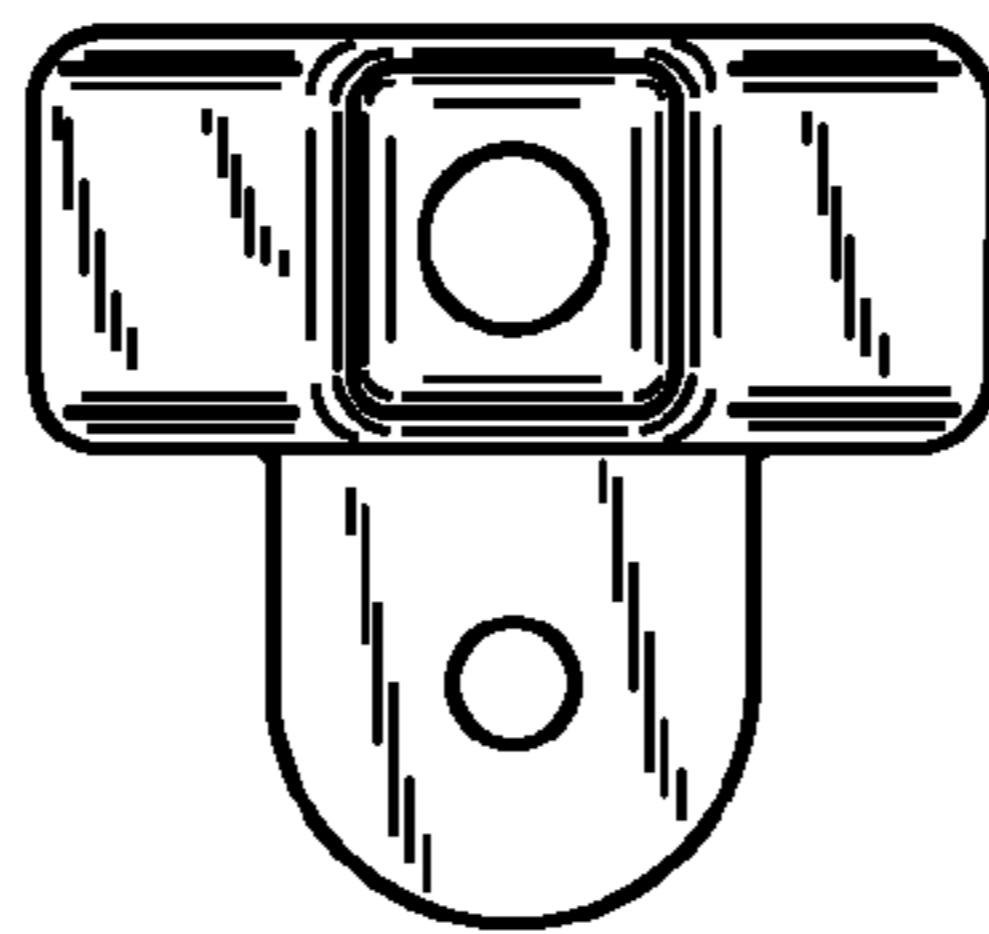


Fig. 16

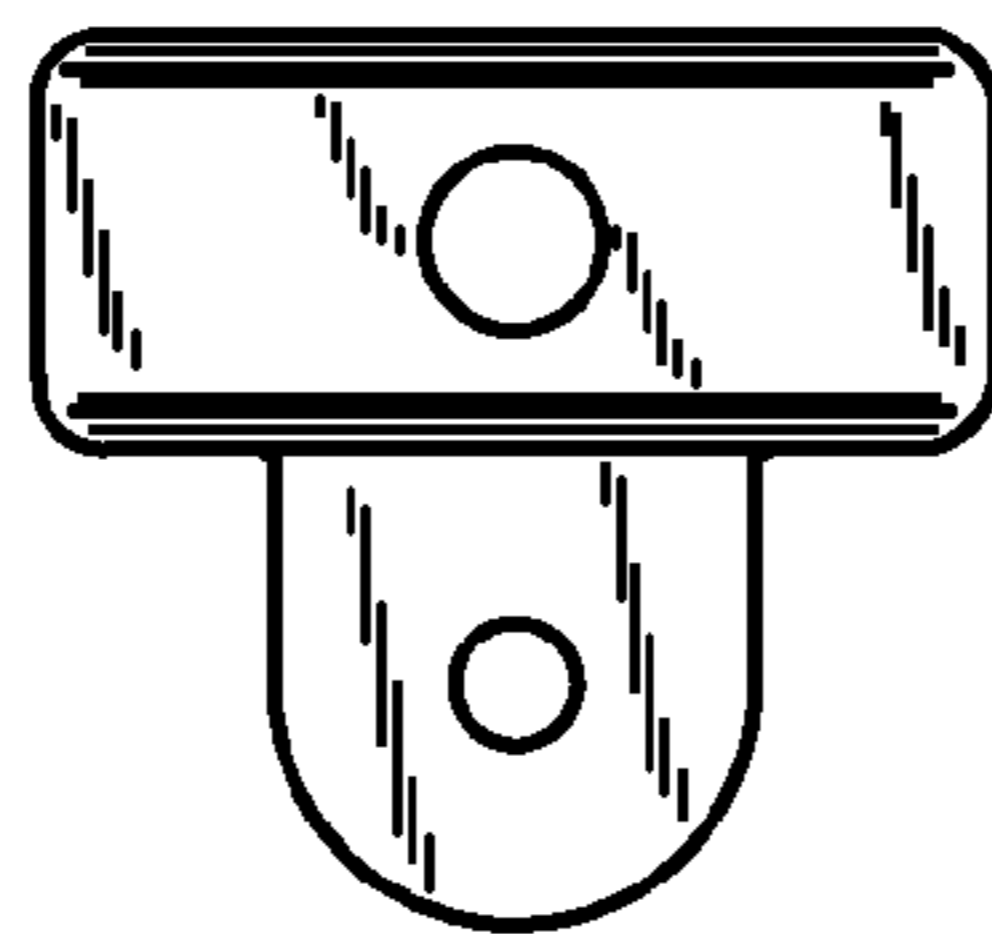


Fig. 17

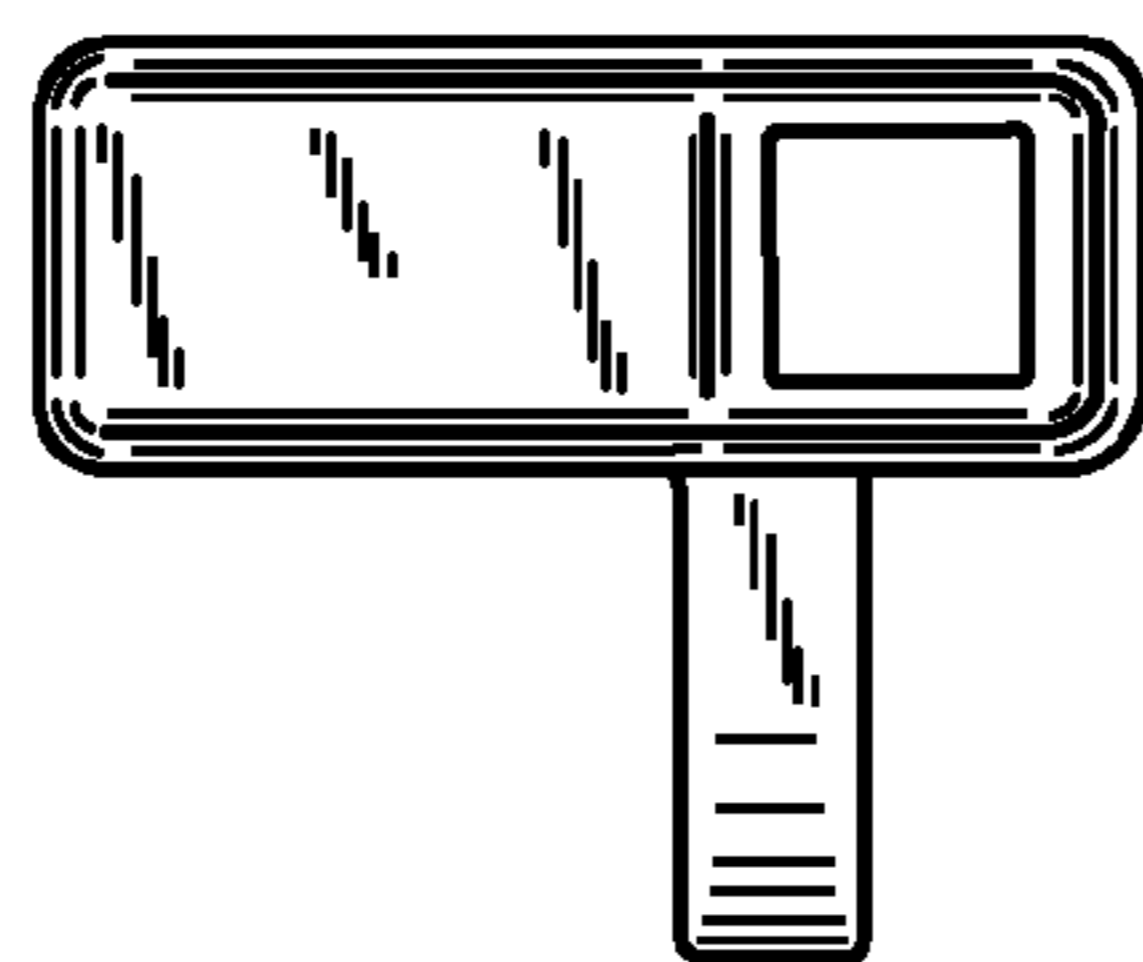


Fig. 18

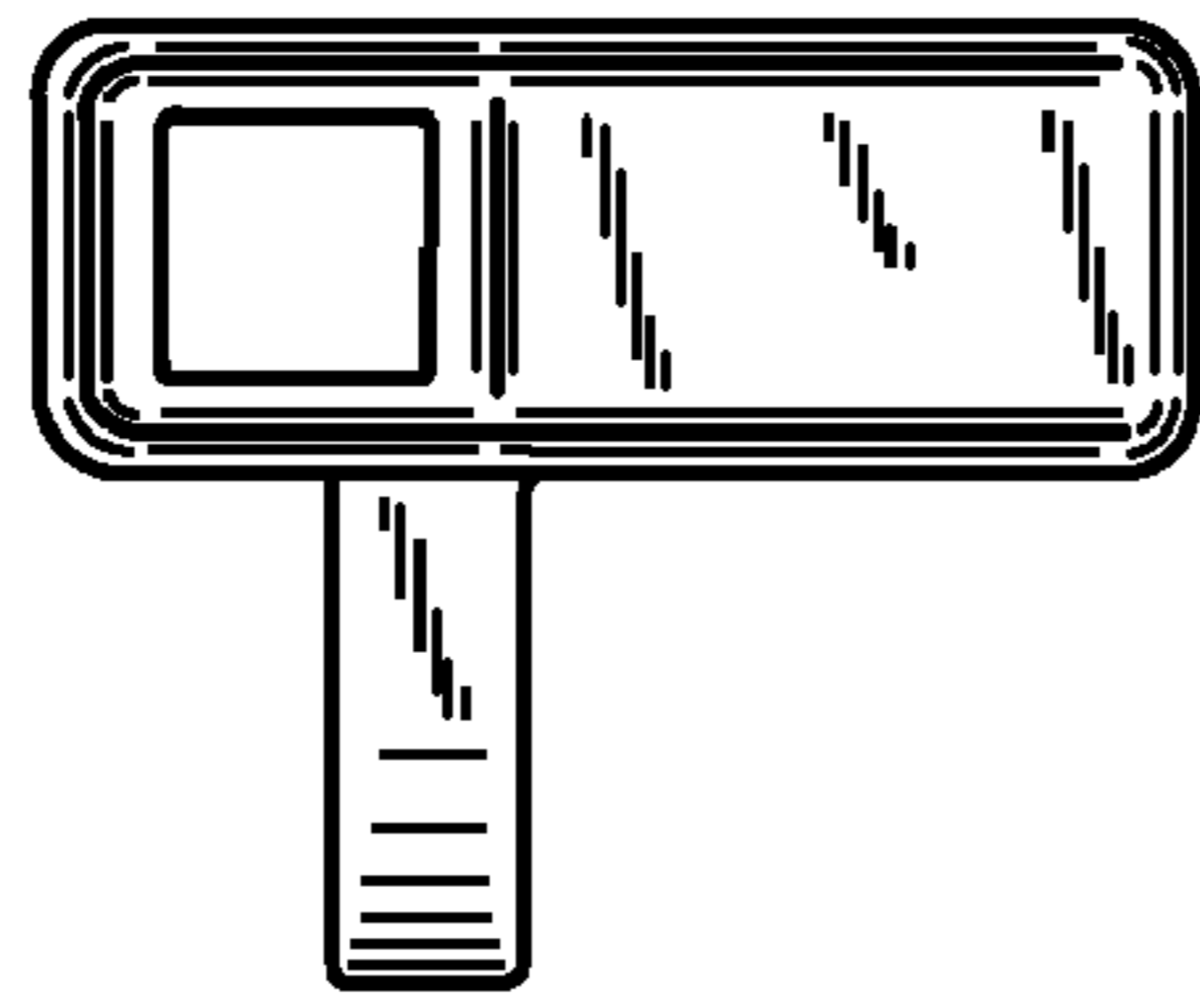


Fig. 19

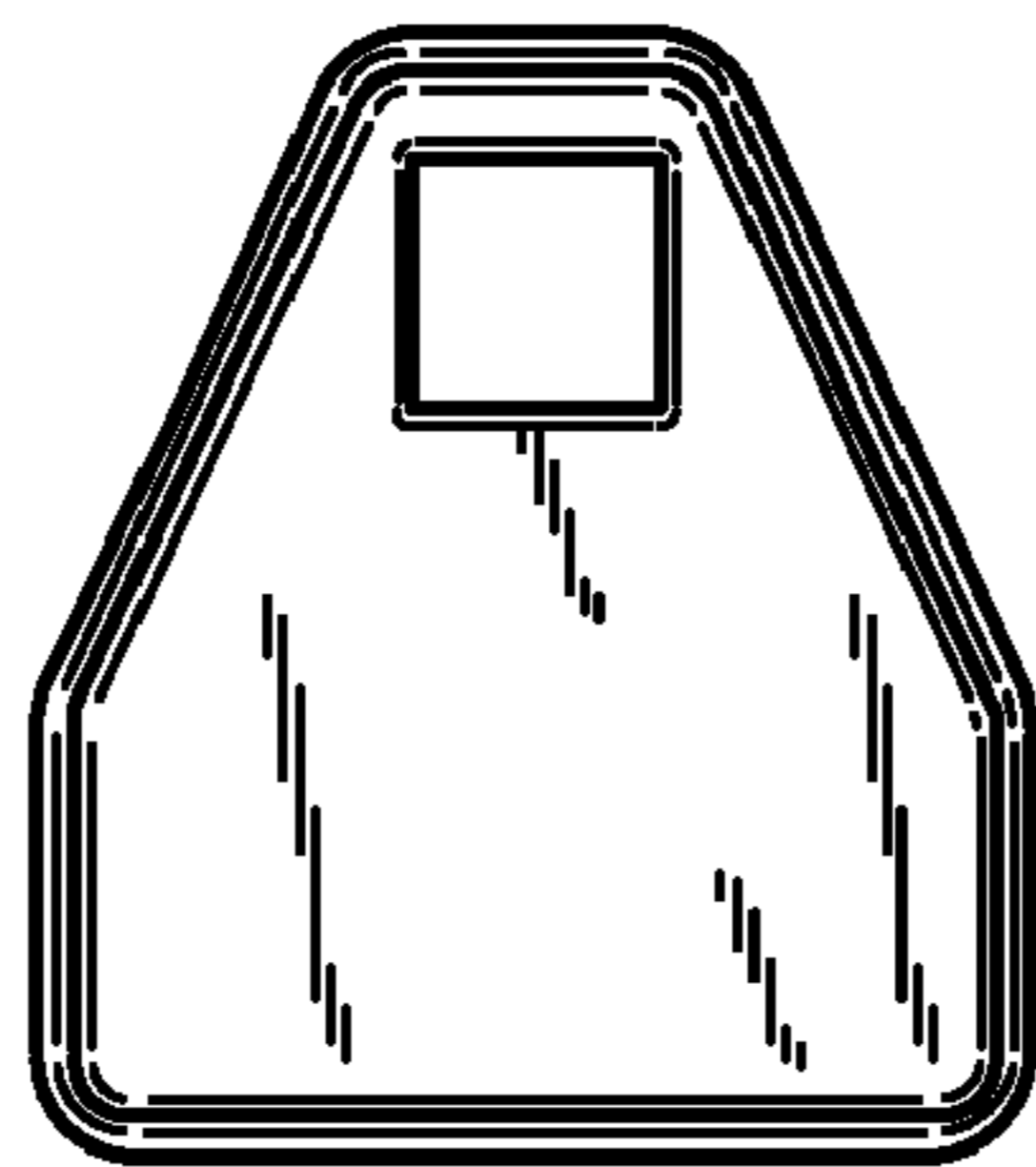


Fig. 20

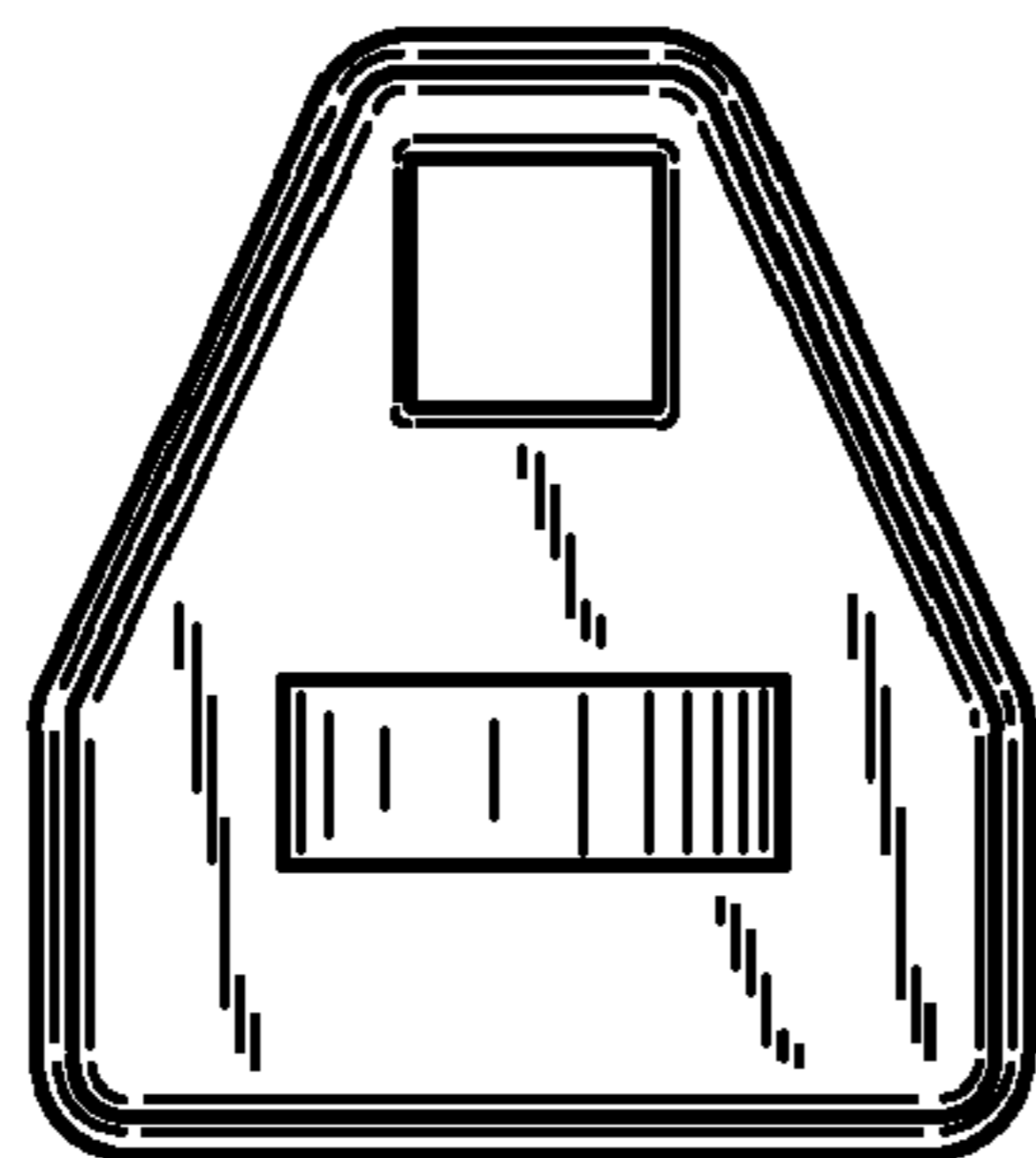


Fig. 21

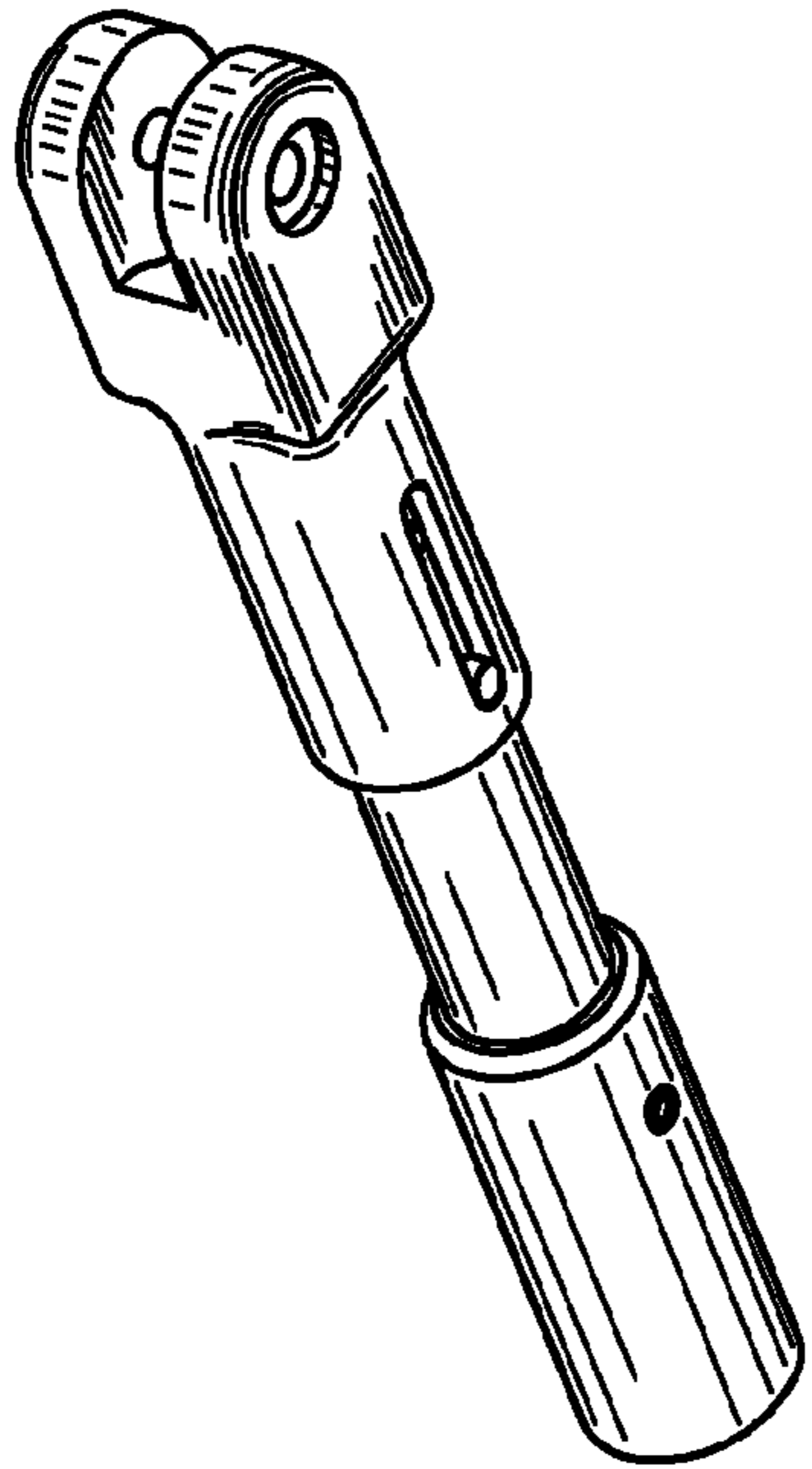


Fig. 22

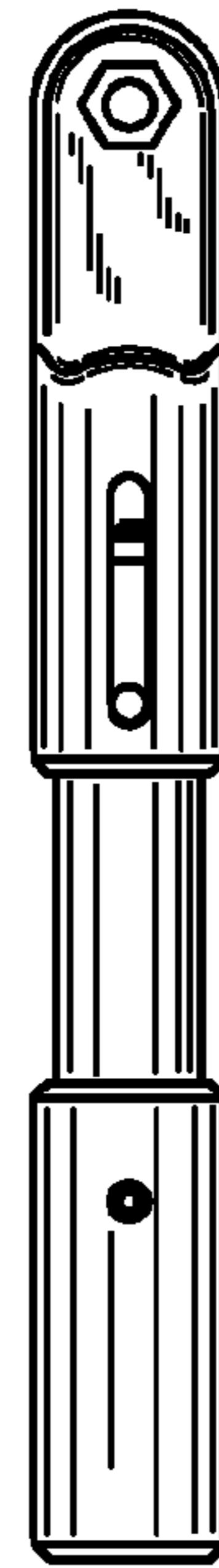


Fig. 23

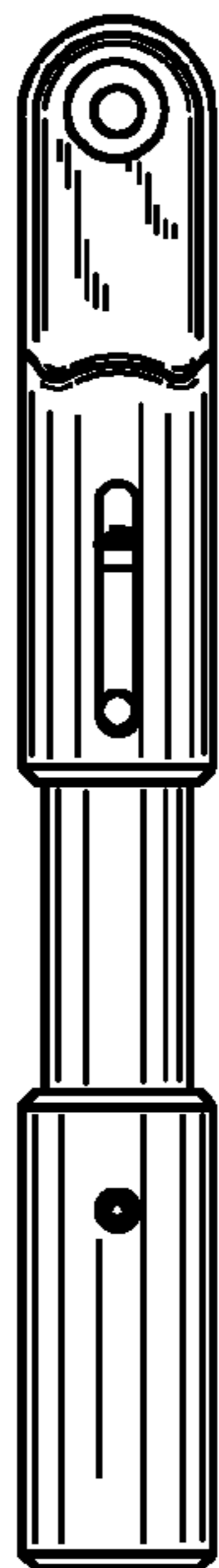


Fig. 24

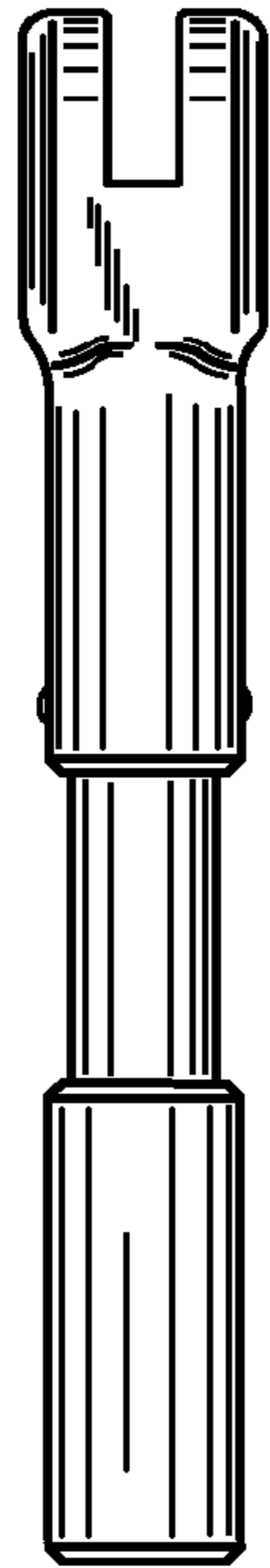


Fig. 25

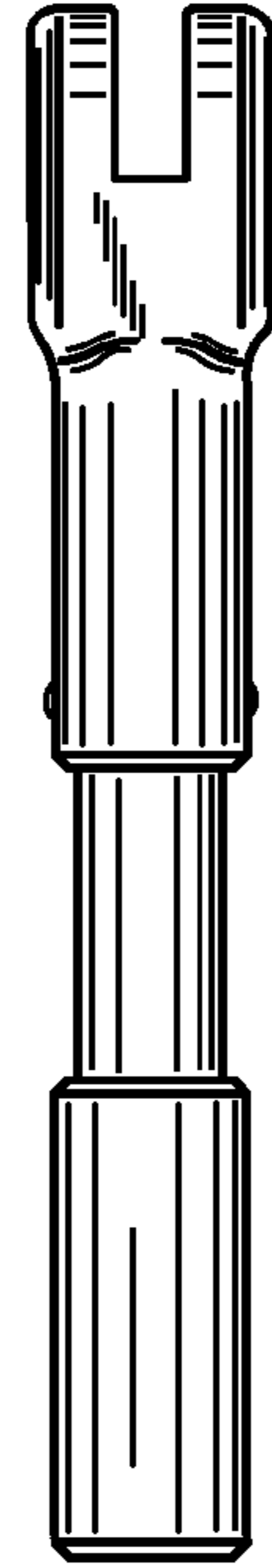


Fig. 26



Fig. 27

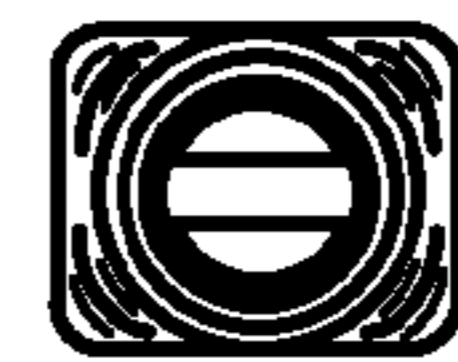


Fig. 28