



US00D640110S

(12) **United States Design Patent**
Tinius

(10) **Patent No.:** **US D640,110 S**

(45) **Date of Patent:** **** Jun. 21, 2011**

(54) **CUT-OFF MACHINE**

(75) Inventor: **Michael Tinius**, Ulm (DE)

(73) Assignee: **Andreas Stihl AG & Co. KG**,
Waiblingen (DE)

(**) Term: **14 Years**

(21) Appl. No.: **29/364,191**

(22) Filed: **Jun. 21, 2010**

(30) **Foreign Application Priority Data**

Dec. 23, 2009 (EM) 001185763-0002

(51) **LOC (9) Cl.** **08-03**

(52) **U.S. Cl.** **D8/65**

(58) **Field of Classification Search** D8/69,
D8/68, 67, 66, 64, 61, 70; 83/698.41, 747,
83/166.3, 374, 373, 375, 376, 391, 377, 390,
83/388, 389; 30/122, 124, 329; 144/218;
D21/532

See application file for complete search history.

(56) **References Cited**

U.S. PATENT DOCUMENTS

5,826,478 A * 10/1998 Zerrer 83/169
5,855,067 A * 1/1999 Taomo et al. 30/122
6,546,631 B2 * 4/2003 Iida et al. 30/124

D530,175 S * 10/2006 Arvidsson et al. D8/66
7,137,877 B2 * 11/2006 Uhl et al. 451/358
D533,039 S * 12/2006 Arvidsson et al. D8/66
D533,757 S * 12/2006 Arvidsson et al. D8/66
D561,551 S * 2/2008 Tinius D8/66
D579,742 S * 11/2008 Arvidsson et al. D8/66
D596,912 S * 7/2009 Arvidsson et al. D8/66
D609,070 S * 2/2010 Tinius D8/62
2008/0196687 A1 * 8/2008 Kohler et al. 123/198 E
2009/0007435 A1 * 1/2009 Droste 30/329

* cited by examiner

Primary Examiner — Austin Murphy

(74) *Attorney, Agent, or Firm* — McGuireWoods LLP

(57) **CLAIM**

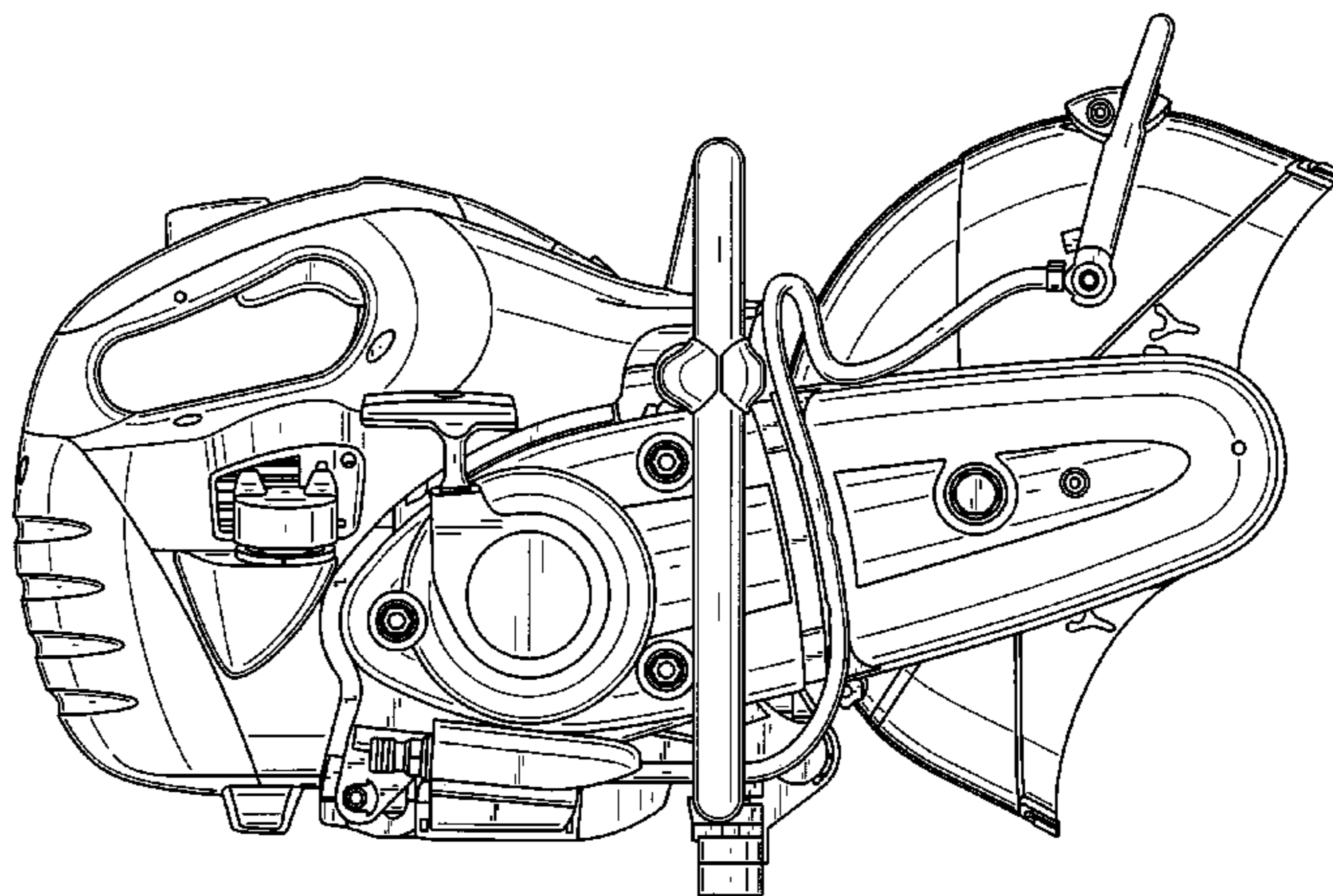
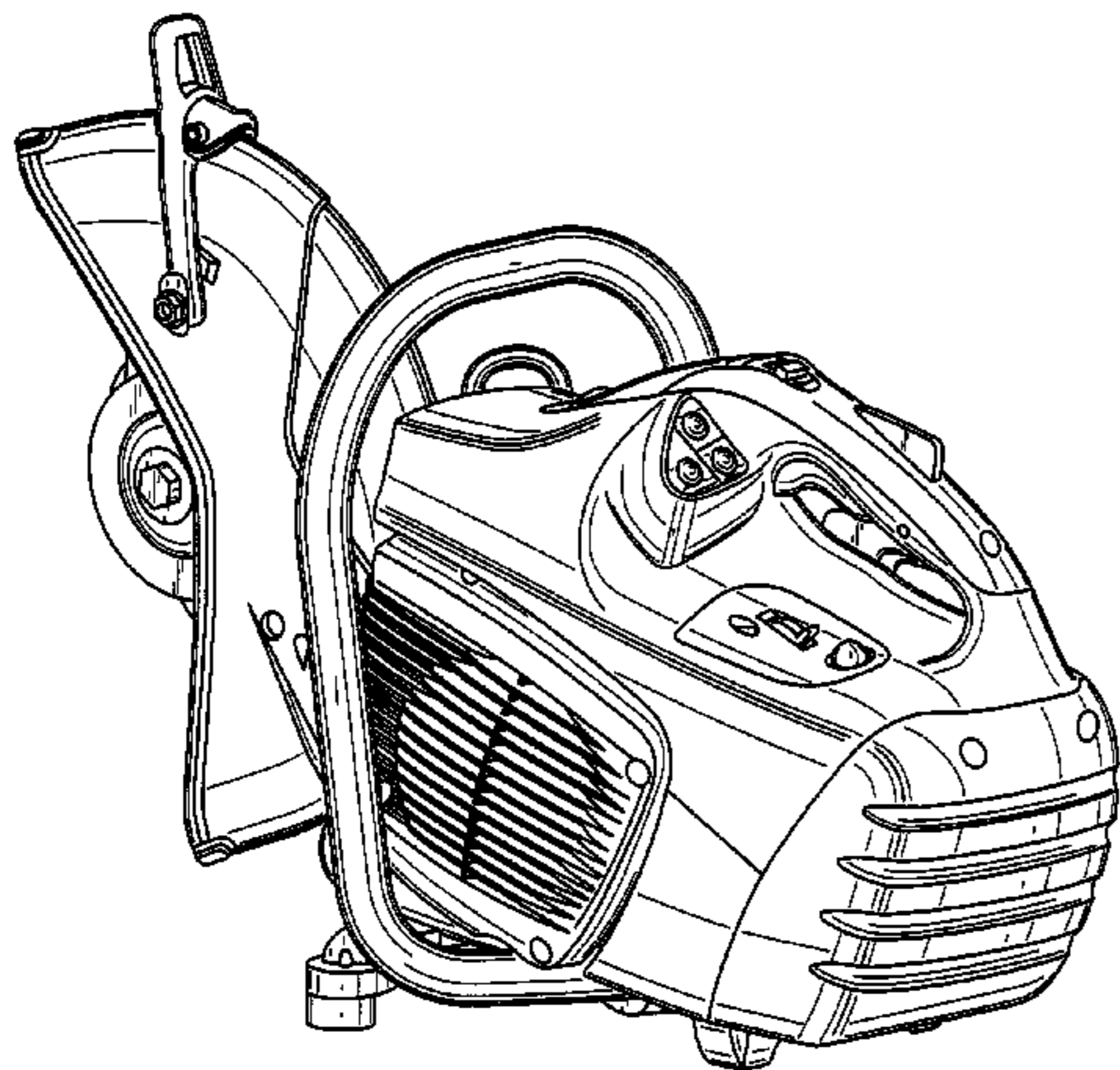
I claim the ornamental design for a cut-off machine, as shown and described.

DESCRIPTION

FIG. 1 is a rear perspective view of the cut-off machine; FIG. 2 is a back side view of the design shown in FIG. 1; FIG. 3 is a right side view of the design shown in FIG. 1; FIG. 4 is a top view of the design shown in FIG. 1; FIG. 5 is a bottom view of the design shown in FIG. 1; FIG. 6 is a partial perspective top view of the design shown in FIG. 1; and, FIG. 7 is a partial right side perspective view of the design shown in FIG. 1.

The broken lines shown in the drawings represent unclaimed portions of the cut-off machine and form no part of the claimed design.

1 Claim, 7 Drawing Sheets



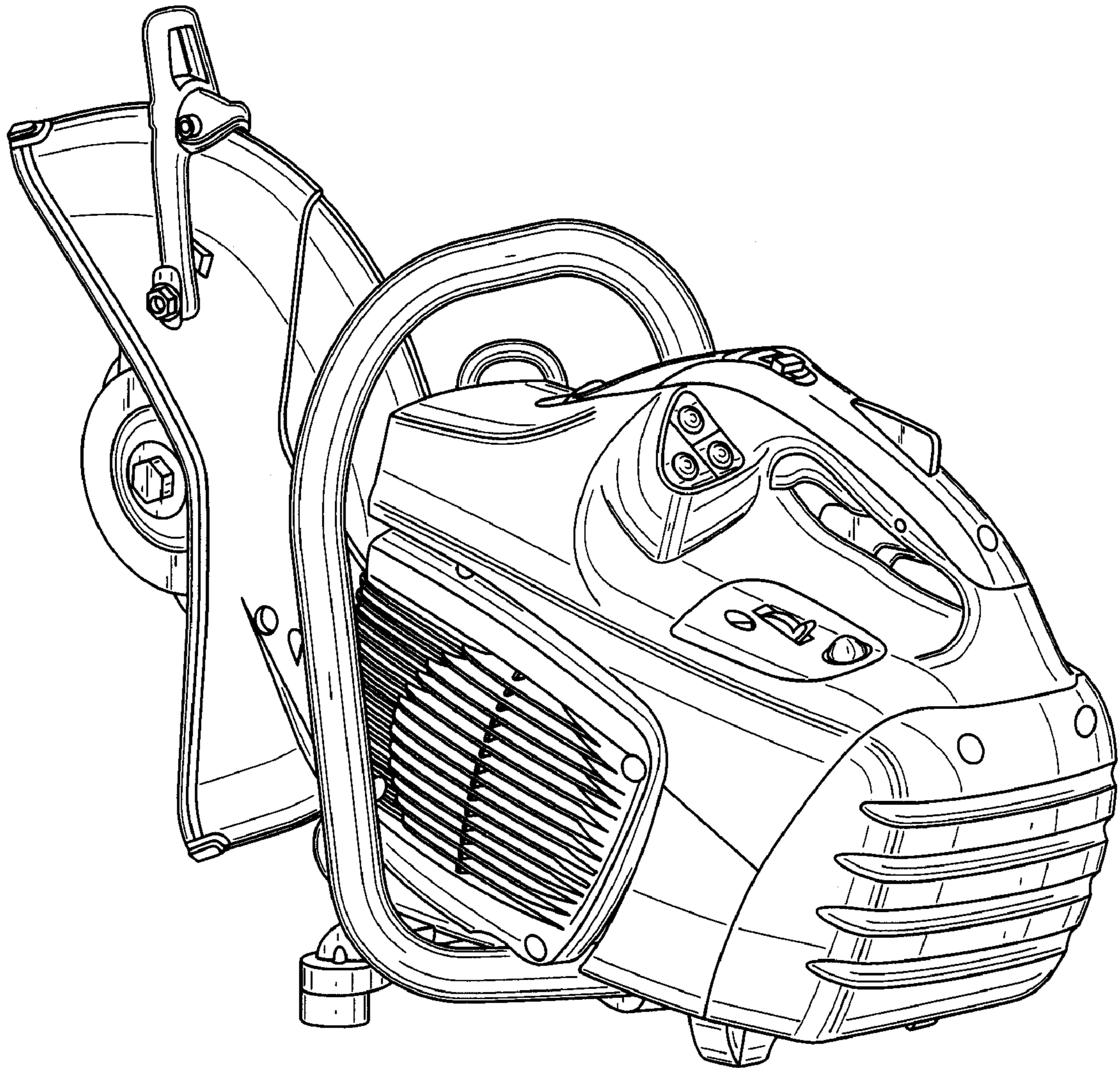


FIG. 1

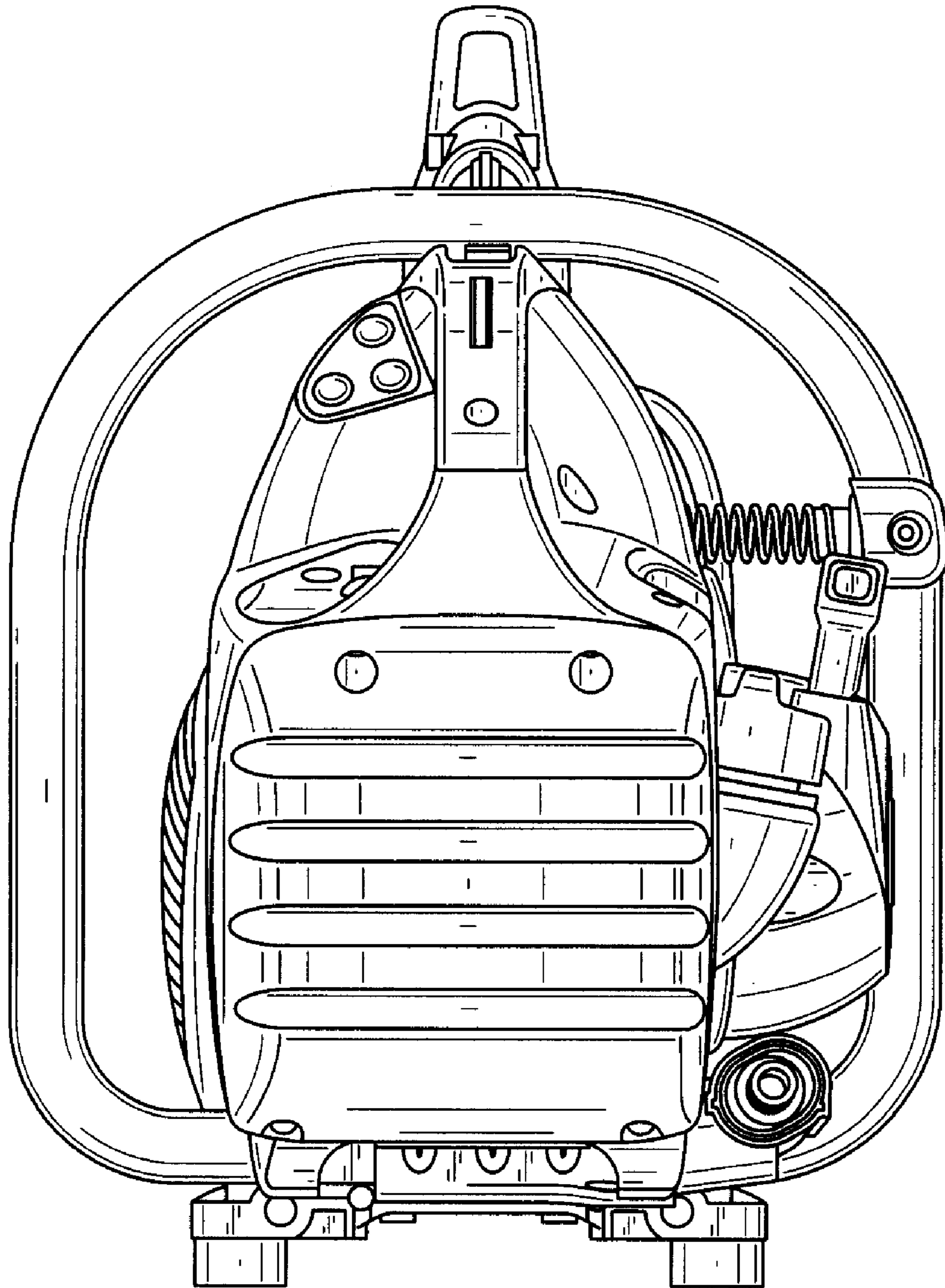


FIG. 2

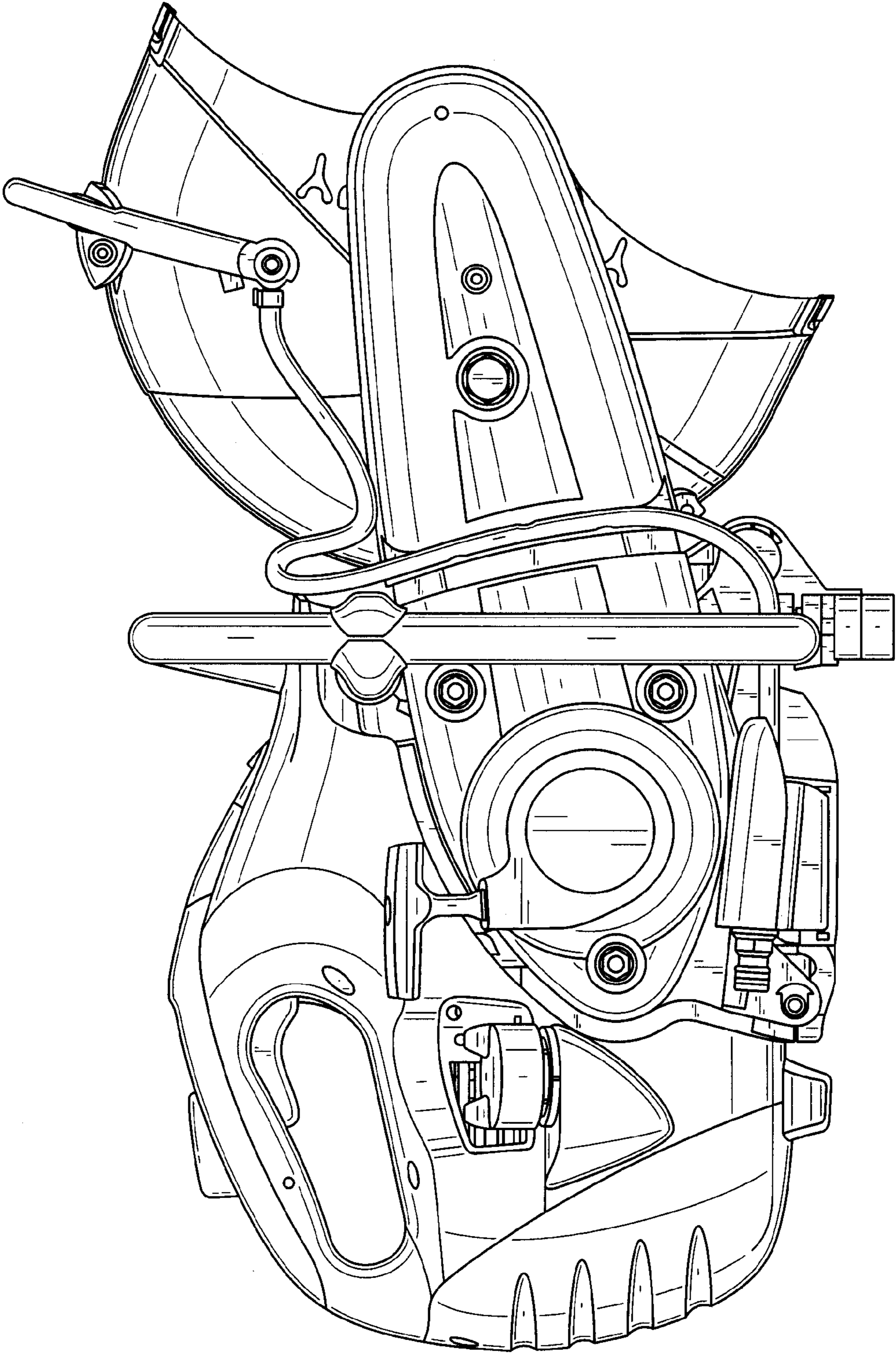


FIG. 3

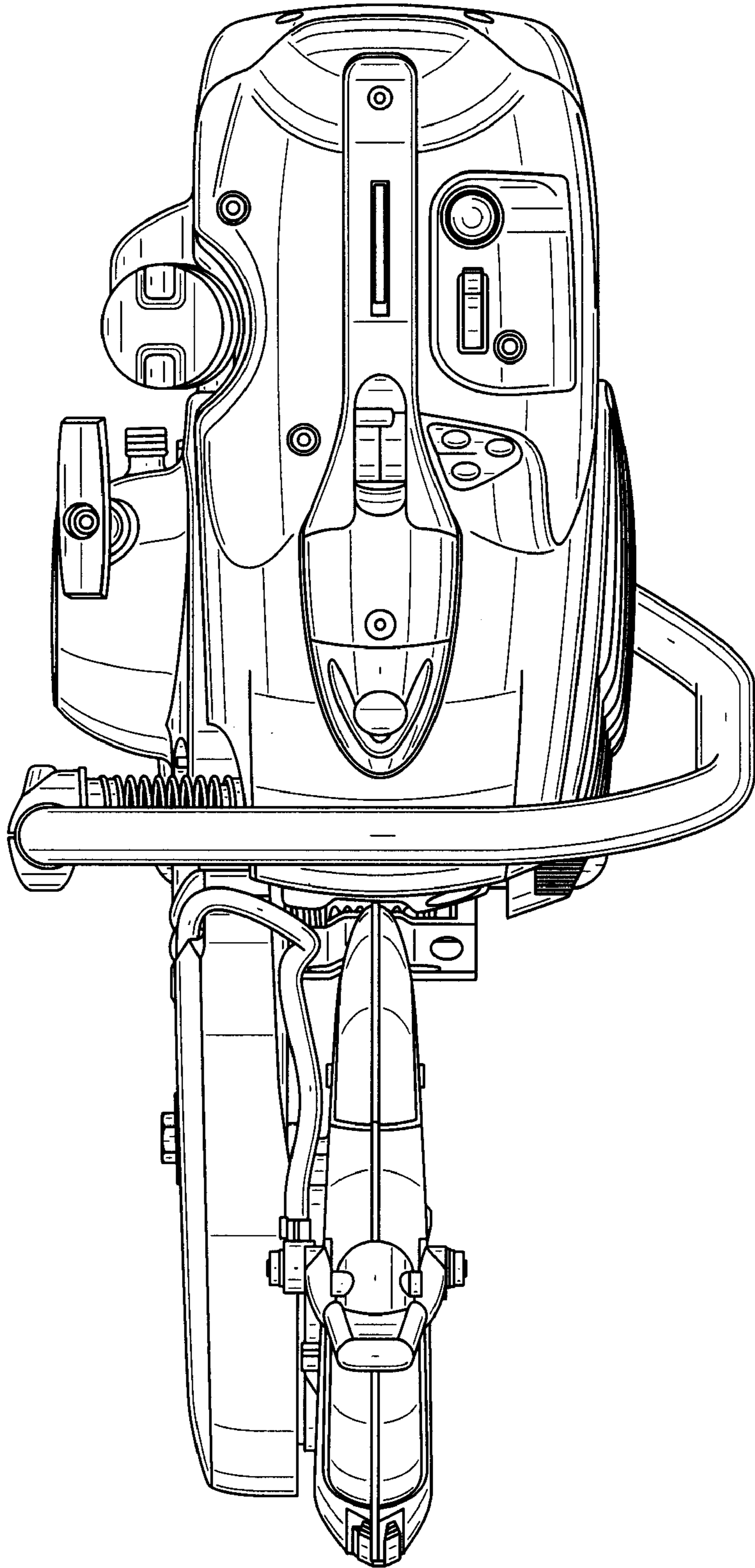


FIG. 4

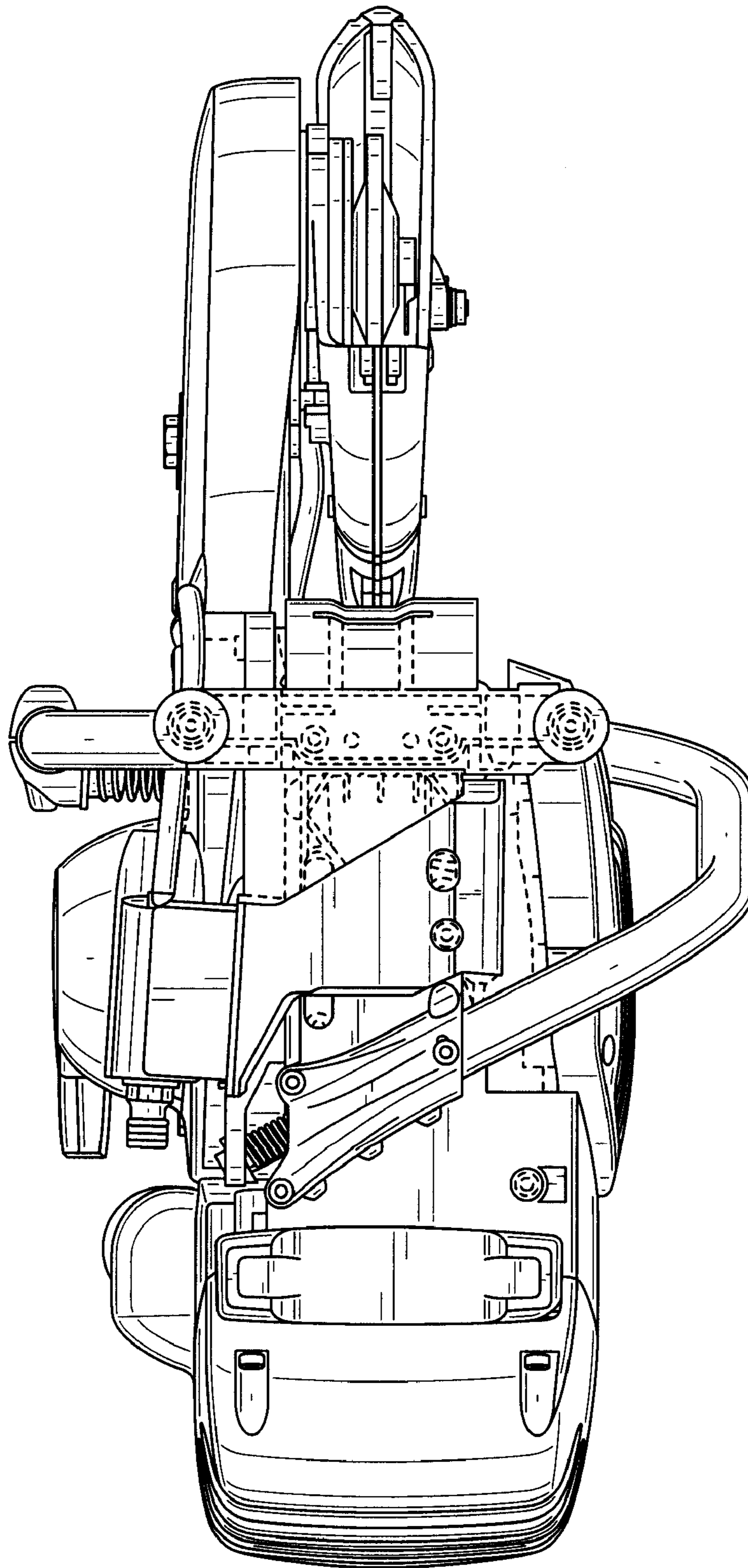


FIG. 5

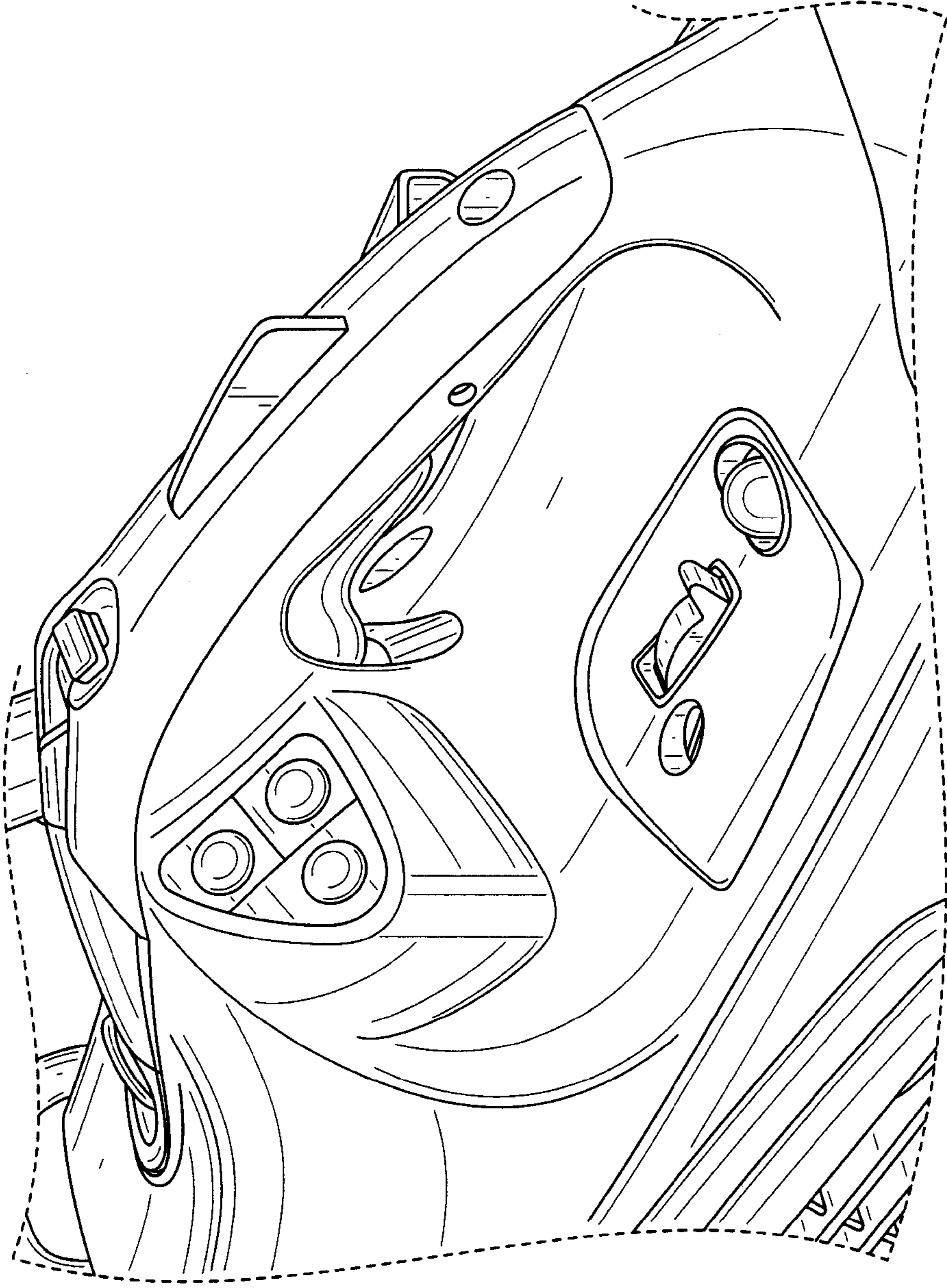


FIG. 6

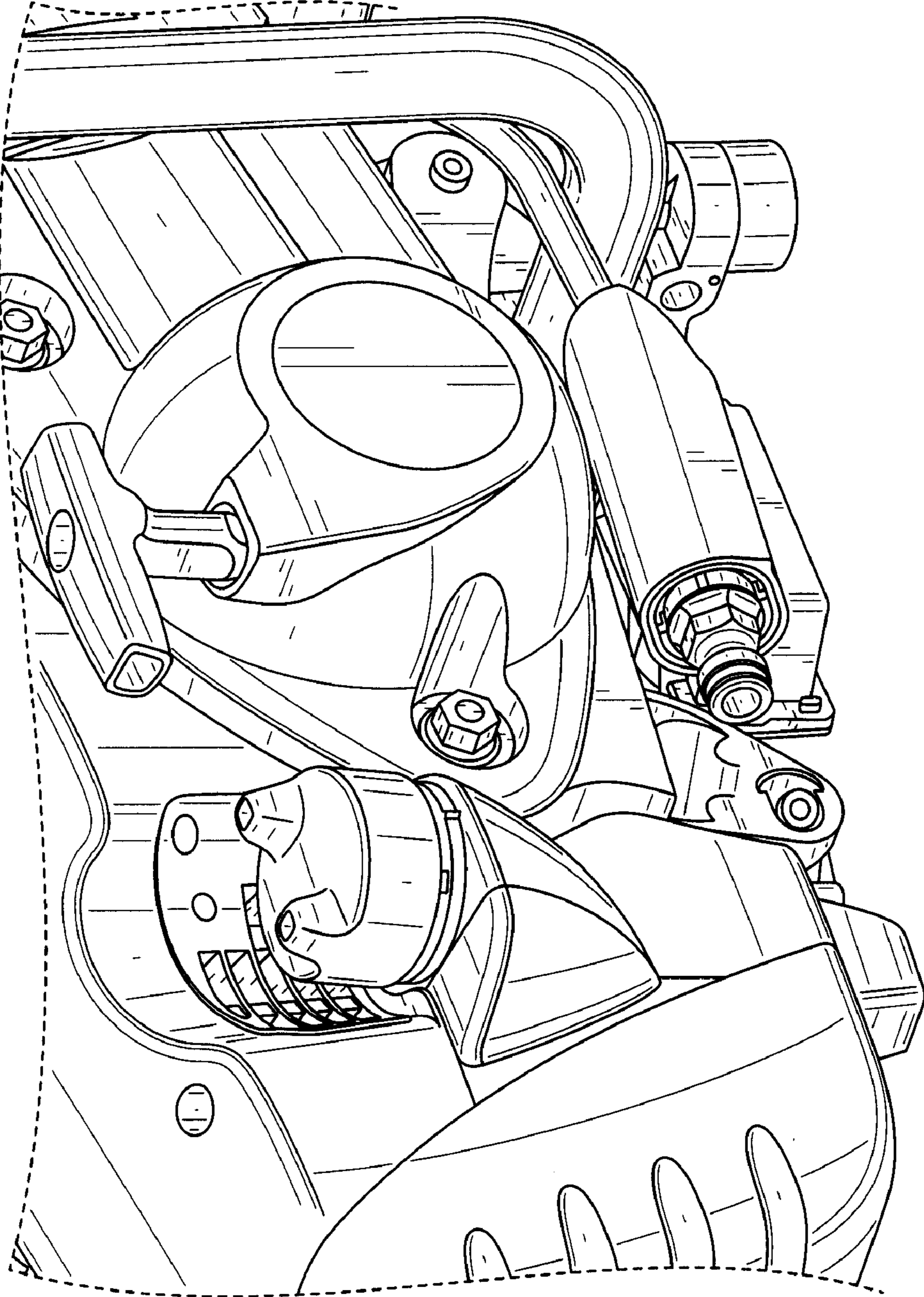


FIG. 7