



US00D640109S

(12) **United States Design Patent**
Lung NG

(10) **Patent No.:** **US D640,109 S**

(45) **Date of Patent:** **** Jun. 21, 2011**

(54) **SANDER**

(75) Inventor: **Vincent Mun Lung NG**, Kowloon (HK)

(73) Assignee: **Techtronic Power Tools Technology Limited**, Tortola (VG)

(**) Term: **14 Years**

(21) Appl. No.: **29/383,108**

(22) Filed: **Jan. 12, 2011**

(30) **Foreign Application Priority Data**

Jul. 13, 2010 (EM) 001730706

(51) **LOC (9) Cl.** **08-01**

(52) **U.S. Cl.** **D8/62**

(58) **Field of Classification Search** D8/67,
D8/62, 61, 70; D32/15, 17, 19; D4/102;
451/456, 451, 359, 358, 357, 356, 355, 364,
451/344

See application file for complete search history.

(56) **References Cited**

U.S. PATENT DOCUMENTS

D435,768 S * 1/2001 Duffy D8/62
D504,602 S * 5/2005 Aglassinger et al. D8/62
D509,720 S * 9/2005 Robson D8/62

D526,868 S * 8/2006 Robson D8/62
D528,386 S * 9/2006 Wu D8/62
D528,387 S * 9/2006 Robson D8/62
7,201,643 B2 * 4/2007 Dineen et al. 451/356
D573,857 S * 7/2008 Stratford et al. D8/62
D585,257 S * 1/2009 Stratford et al. D8/62
7,553,217 B2 * 6/2009 Reich et al. 451/344
2006/0003680 A1 * 1/2006 Robson 451/357

* cited by examiner

Primary Examiner — Austin Murphy

(74) *Attorney, Agent, or Firm* — Michael Best & Friedrich LLP

(57) **CLAIM**

We claim the ornamental design for a sander, as shown and described.

DESCRIPTION

FIG. 1 is a perspective view of a sander embodying the invention;

FIG. 2 is a left side of the sander of FIG. 1;

FIG. 3 is a right side view of the sander of FIG. 1;

FIG. 4 is a front view of the sander of FIG. 1;

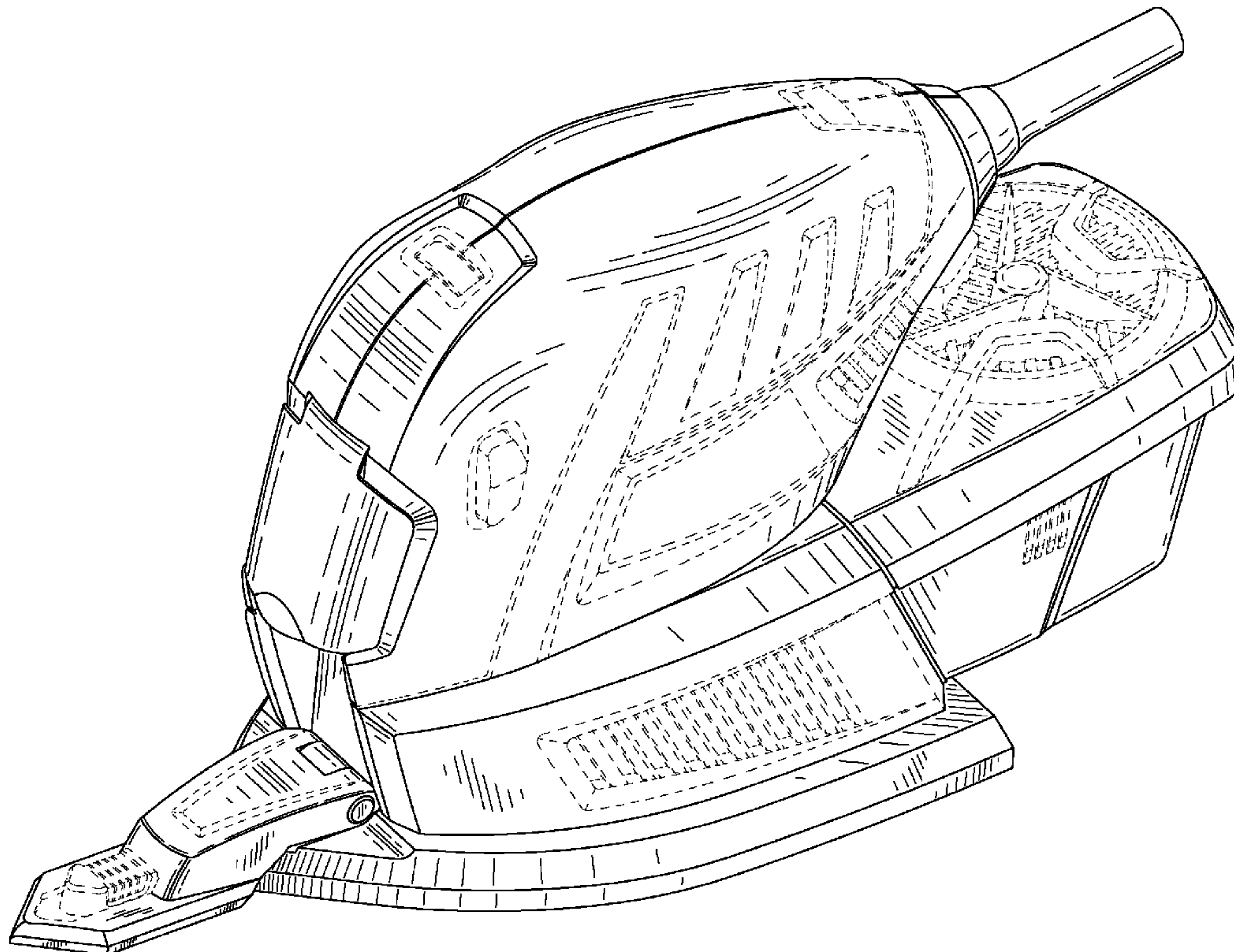
FIG. 5 is a rear view of the sander of FIG. 1;

FIG. 6 is a top view of the sander of FIG. 1; and,

FIG. 7 is a bottom view thereof.

The broken lines shown in the drawings represent unclaimed portions of the sander, and form no part of the claimed design.

1 Claim, 7 Drawing Sheets



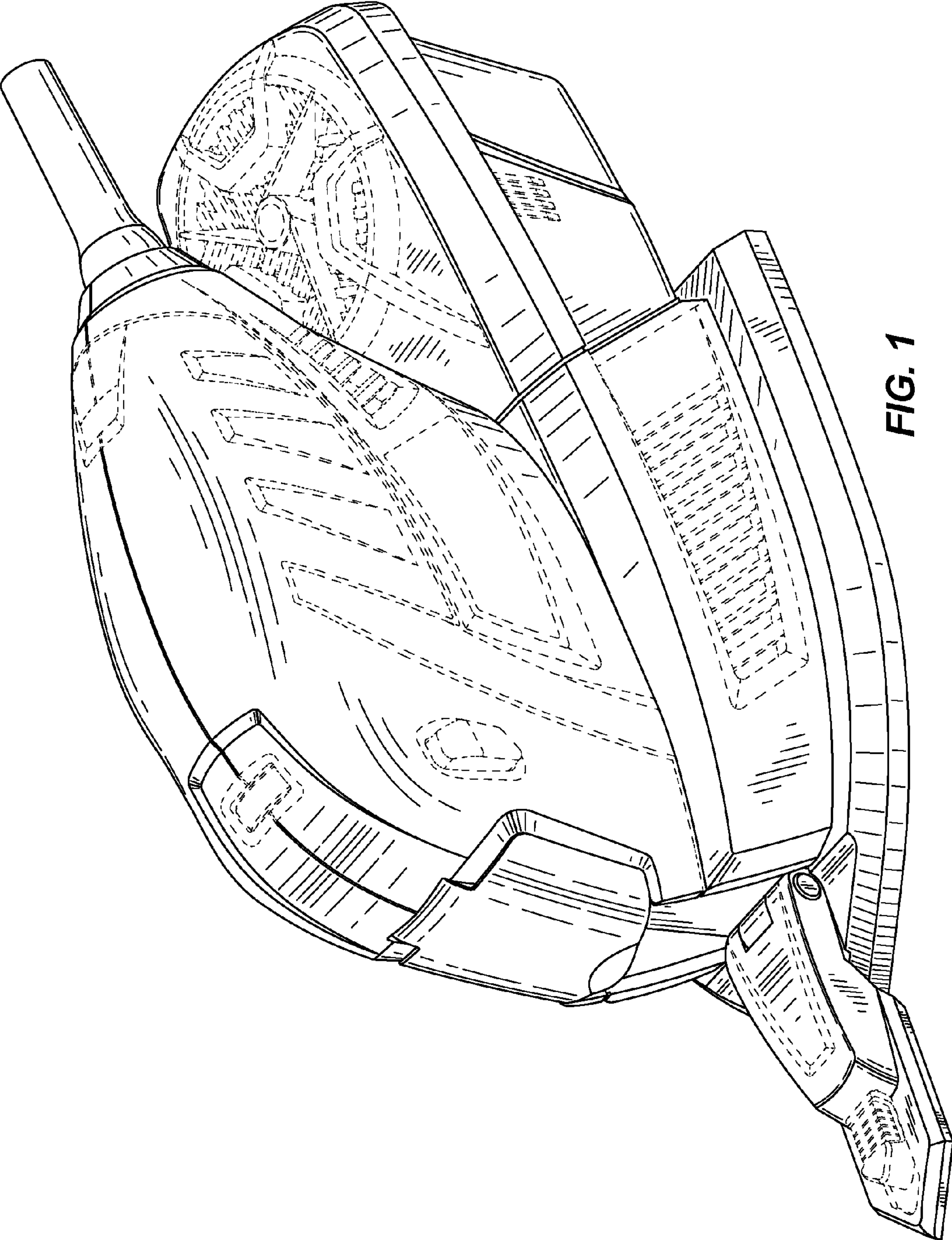


FIG. 1

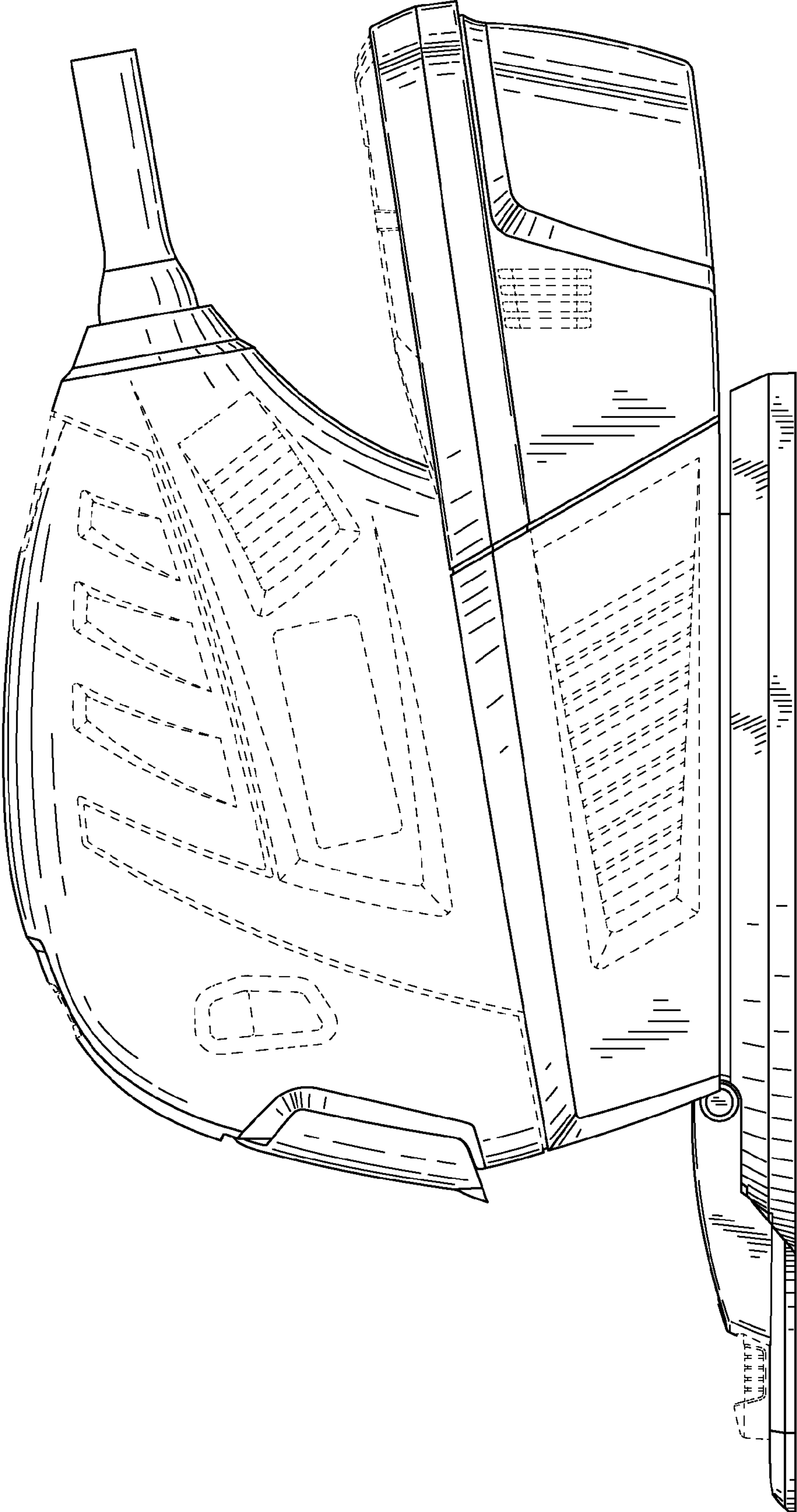


FIG. 2

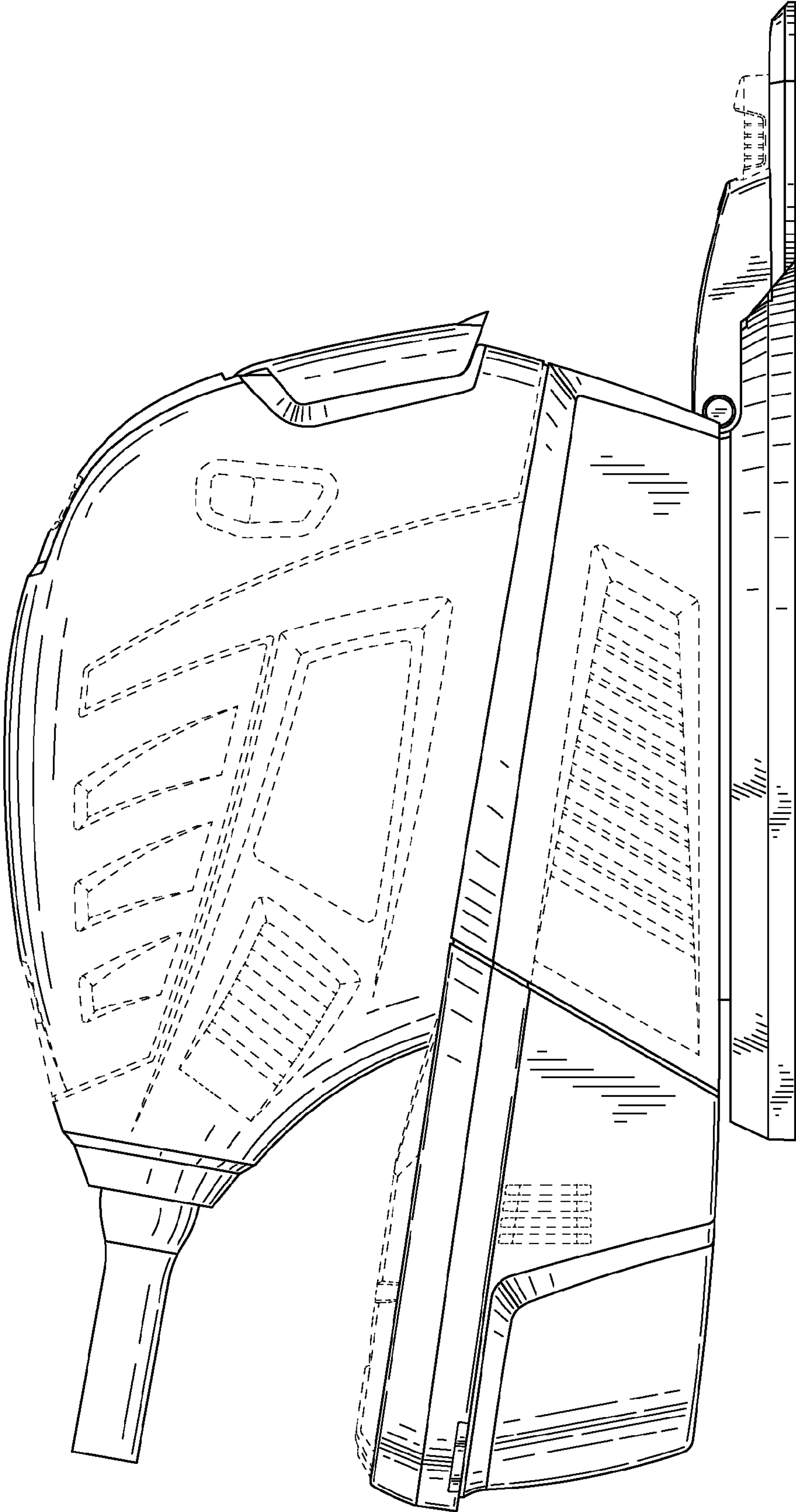


FIG. 3

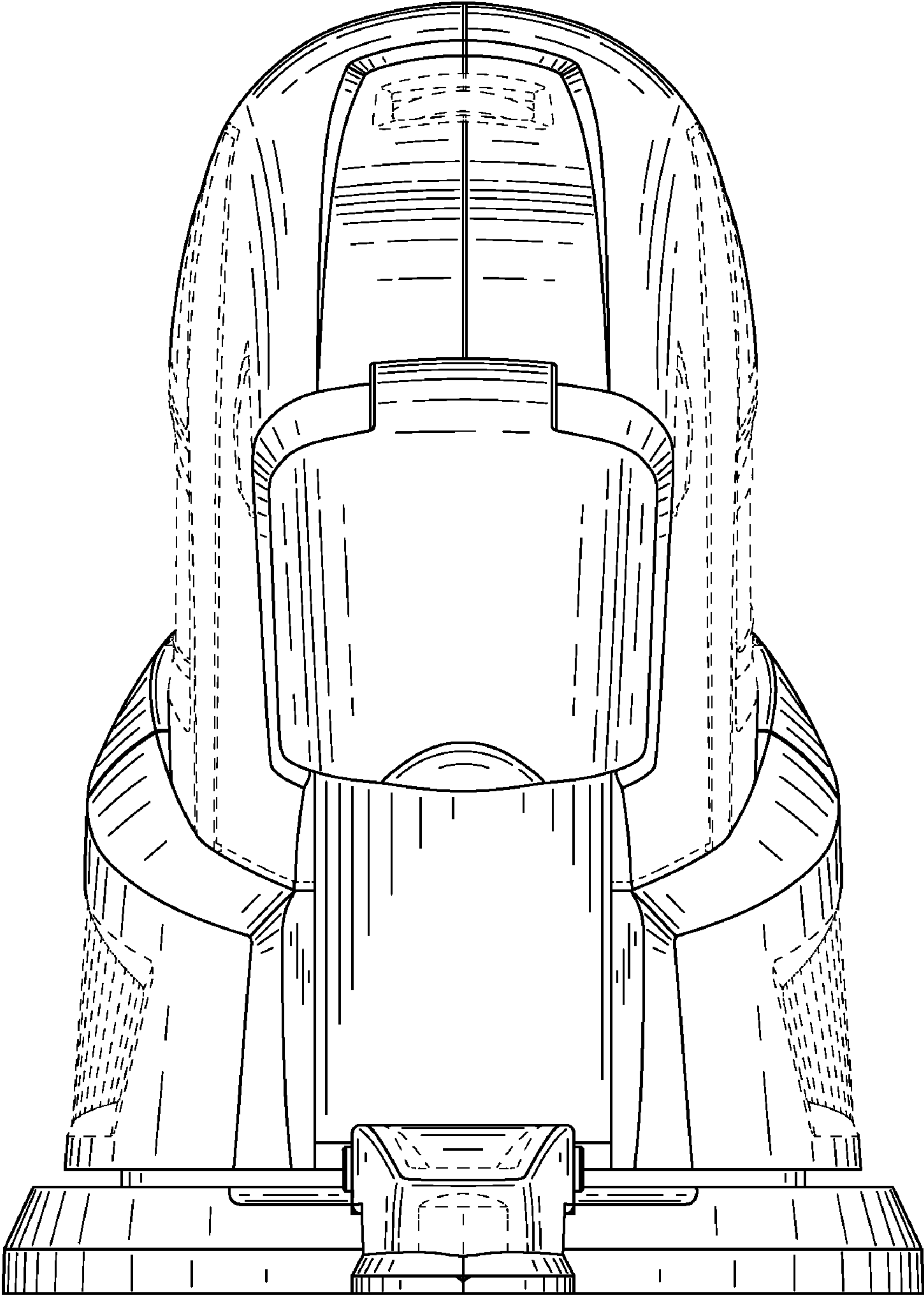


FIG. 4

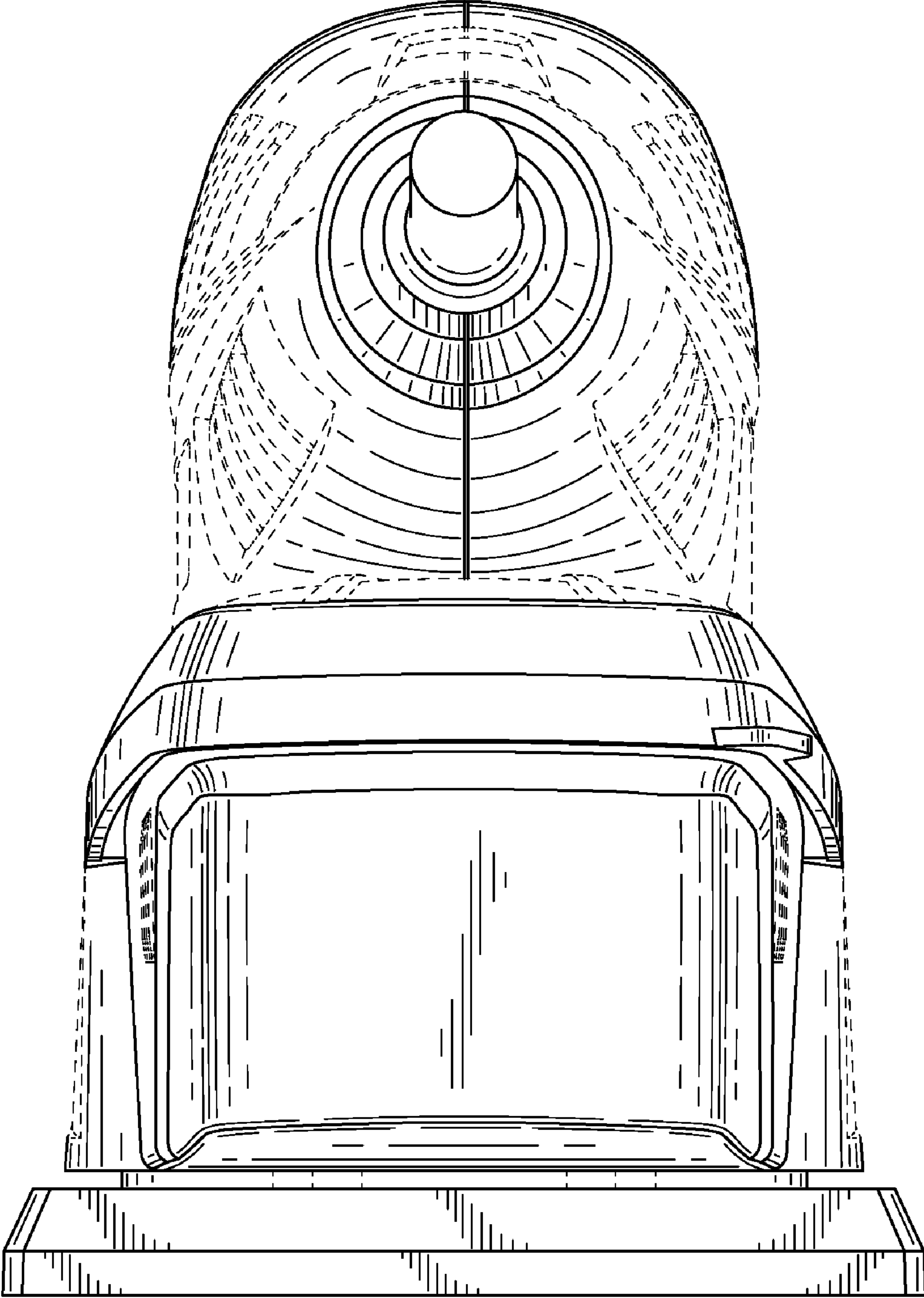


FIG. 5

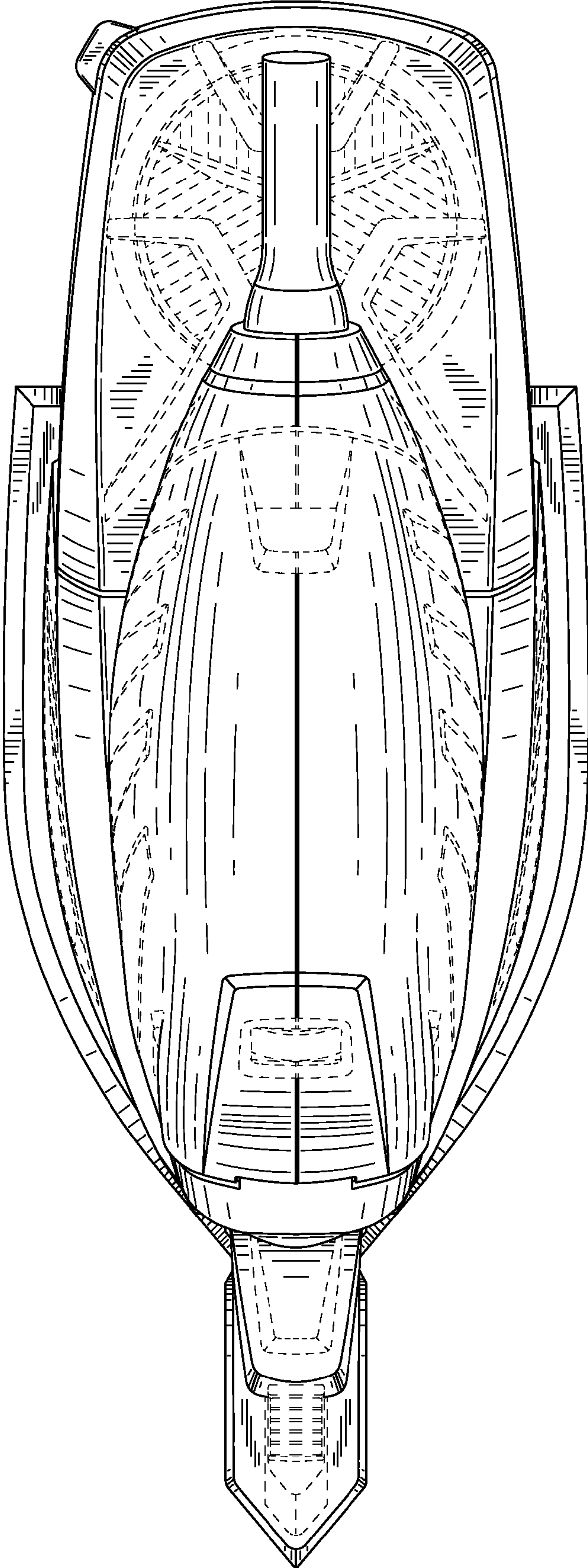


FIG. 6

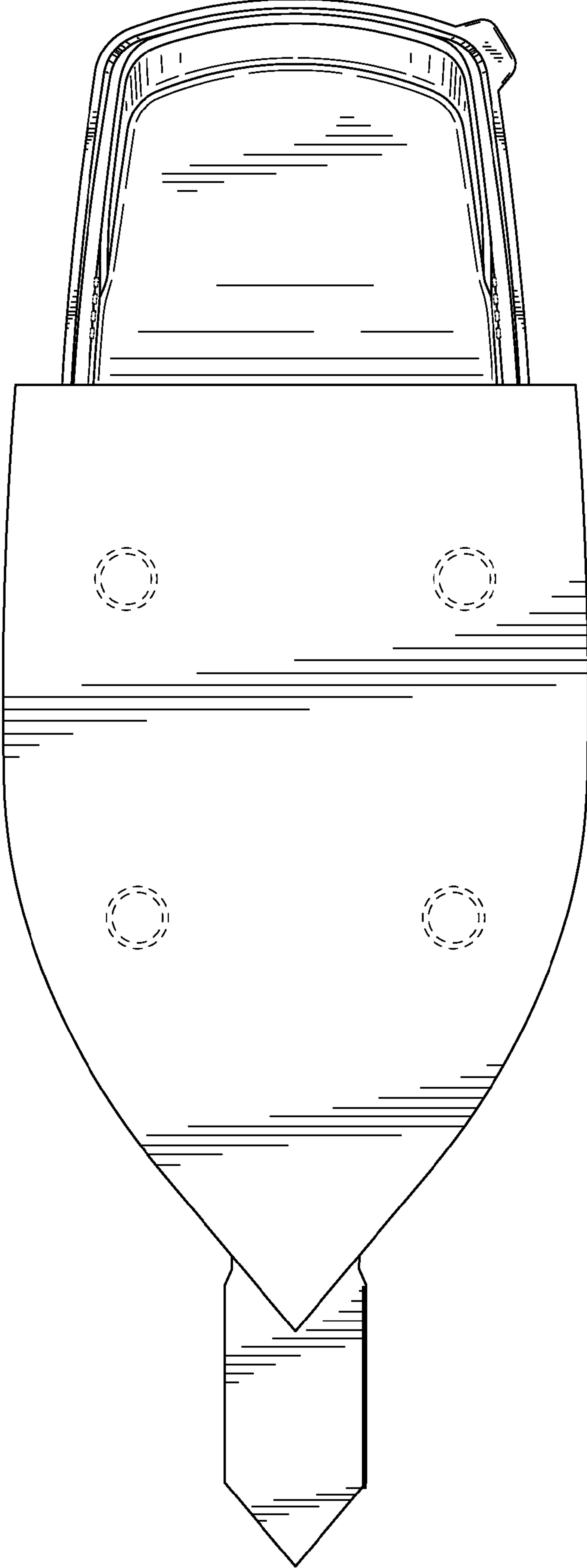


FIG. 7