

US00D640108S

(12) **United States Design Patent**  
**Lung Ng**

(10) **Patent No.:** **US D640,108 S**

(45) **Date of Patent:** **\*\* Jun. 21, 2011**

(54) **SANDER**

(75) Inventor: **Vincent Mun Lung Ng**, Kowloon (HK)

(73) Assignee: **Techtronic Power Tools Technology Limited**, Tortola (VG)

(\*\*) Term: **14 Years**

(21) Appl. No.: **29/383,106**

(22) Filed: **Jan. 12, 2011**

(30) **Foreign Application Priority Data**

Jul. 13, 2010 (EM) ..... 001730706

(51) **LOC (9) Cl.** ..... **08-01**

(52) **U.S. Cl.** ..... **D8/62**

(58) **Field of Classification Search** ..... D8/67,  
D8/62, 61, 70; D32/15, 17, 19; D4/102;  
451/456, 451, 359, 358, 357, 356, 355, 364,  
451/344

See application file for complete search history.

(56) **References Cited**

**U.S. PATENT DOCUMENTS**

D435,768 S \* 1/2001 Duffy ..... D8/62  
D504,602 S \* 5/2005 Aglassinger et al. .... D8/62  
D509,720 S \* 9/2005 Robson ..... D8/62

D526,868 S \* 8/2006 Robson ..... D8/62  
D528,386 S \* 9/2006 Wu ..... D8/62  
D528,387 S \* 9/2006 Robson ..... D8/62  
7,201,643 B2 \* 4/2007 Dineen et al. .... 451/356  
D573,857 S \* 7/2008 Stratford et al. .... D8/62  
D585,257 S \* 1/2009 Stratford et al. .... D8/62  
7,553,217 B2 \* 6/2009 Reich et al. .... 451/344  
2006/0003680 A1 \* 1/2006 Robson ..... 451/357

\* cited by examiner

*Primary Examiner* — Austin Murphy

(74) *Attorney, Agent, or Firm* — Michael Best & Friedrich LLP

(57) **CLAIM**

We claim the ornamental design for a sander, as shown and described.

**DESCRIPTION**

FIG. 1 is a perspective view of a sander embodying the invention;

FIG. 2 is a left side of the sander of FIG. 1;

FIG. 3 is a right side view of the sander of FIG. 1;

FIG. 4 is a front view of the sander of FIG. 1;

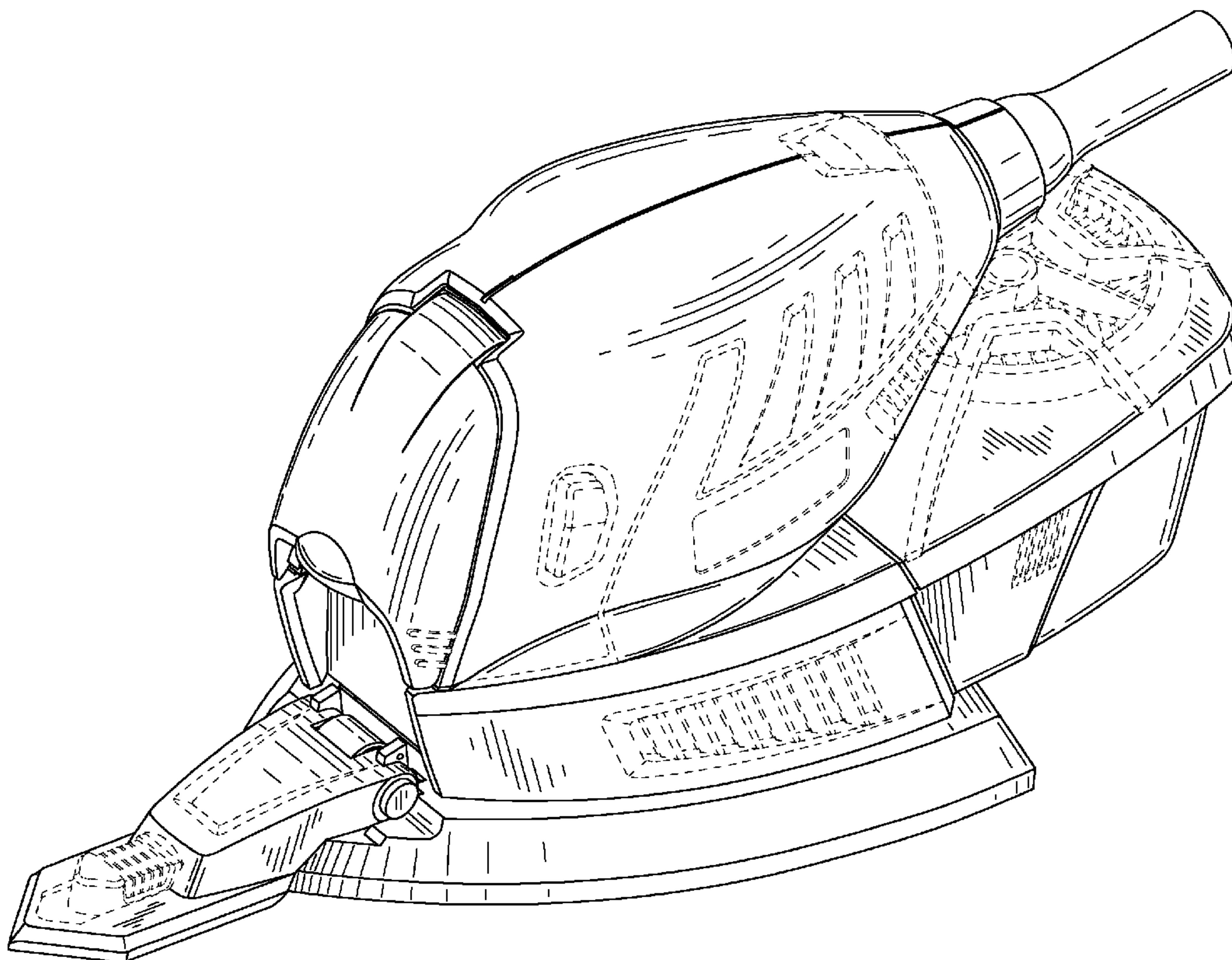
FIG. 5 is a rear view of the sander of FIG. 1;

FIG. 6 is a top view of the sander of FIG. 1; and,

FIG. 7 is a bottom view thereof.

The broken lines shown in the drawings represent unclaimed portions of the sander and form no part of the claimed design.

**1 Claim, 7 Drawing Sheets**



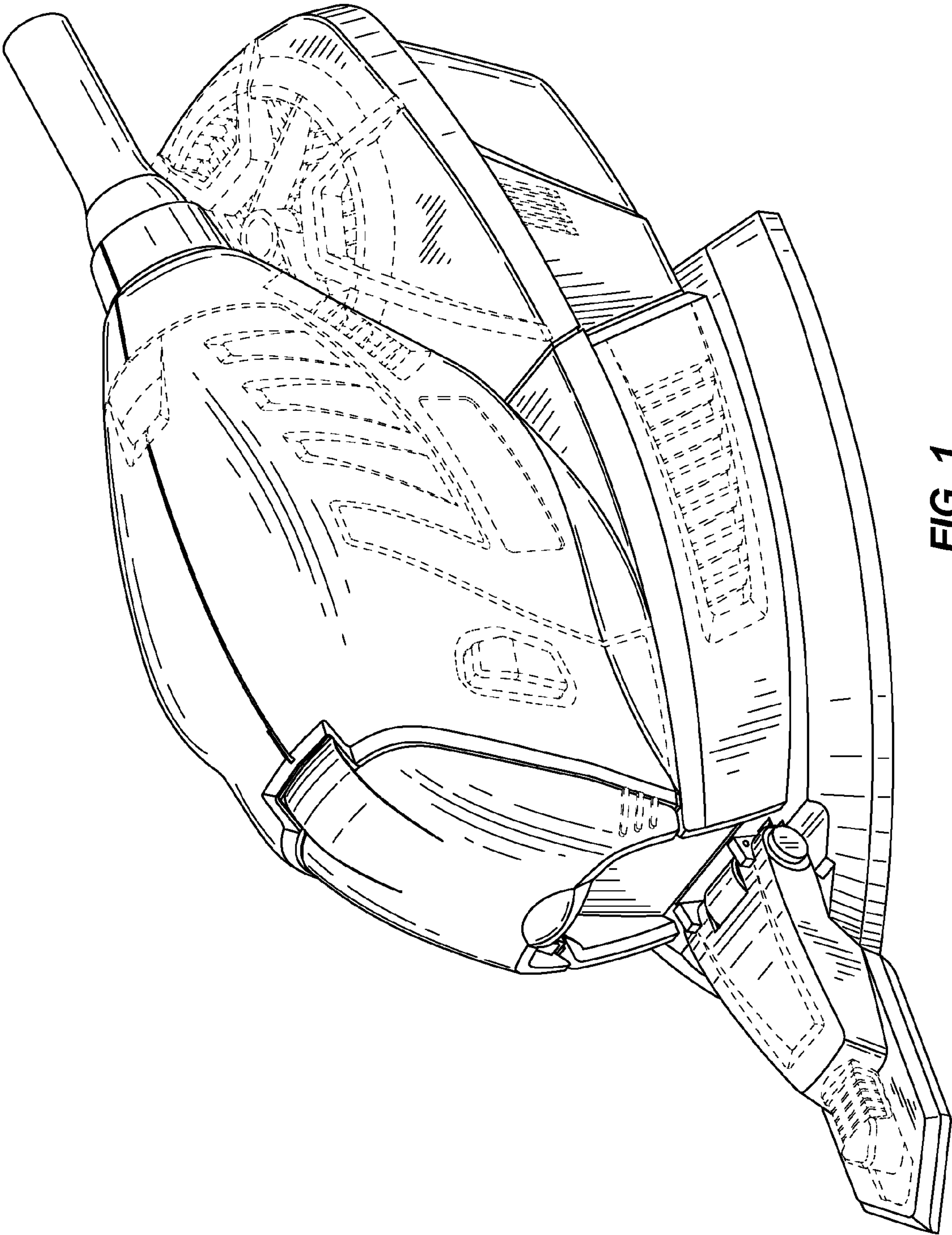


FIG. 1

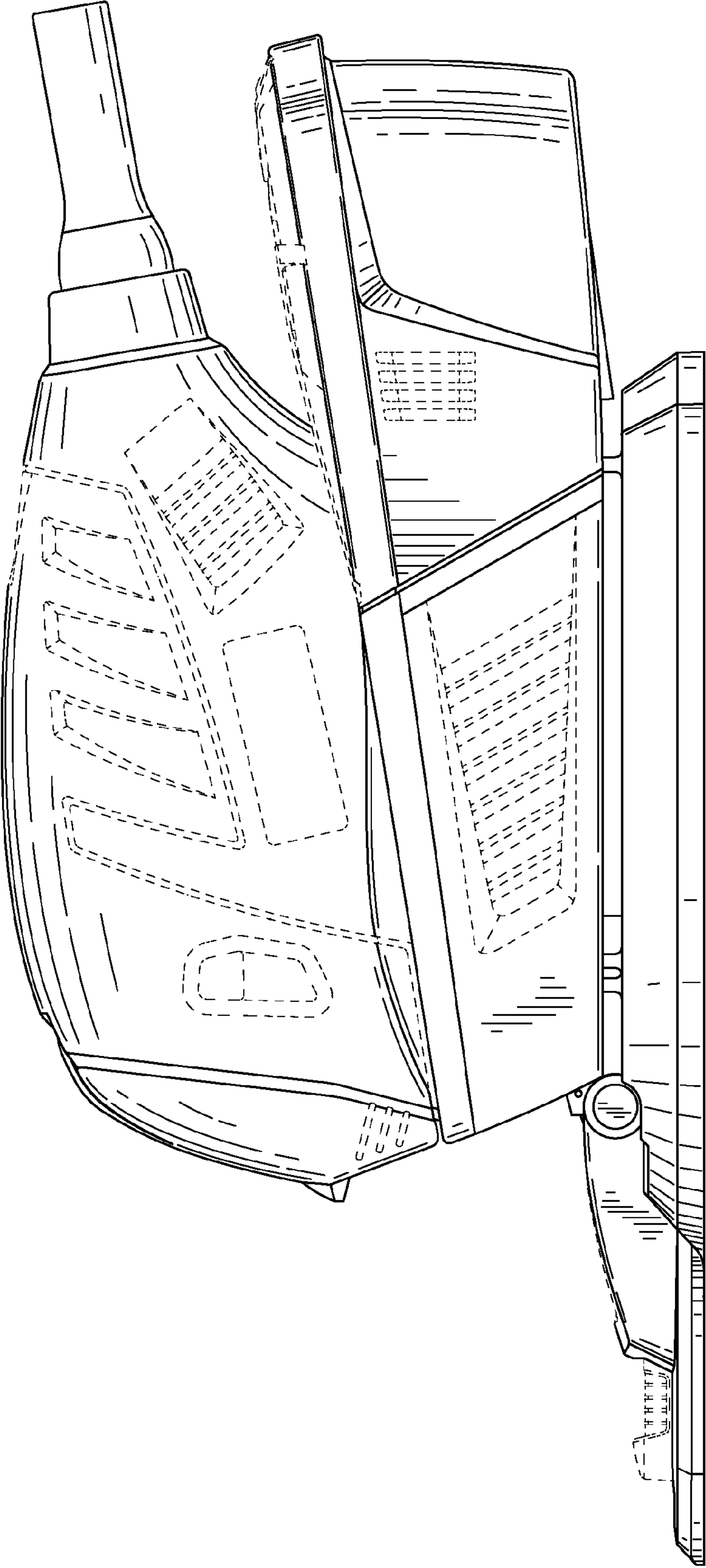


FIG. 2



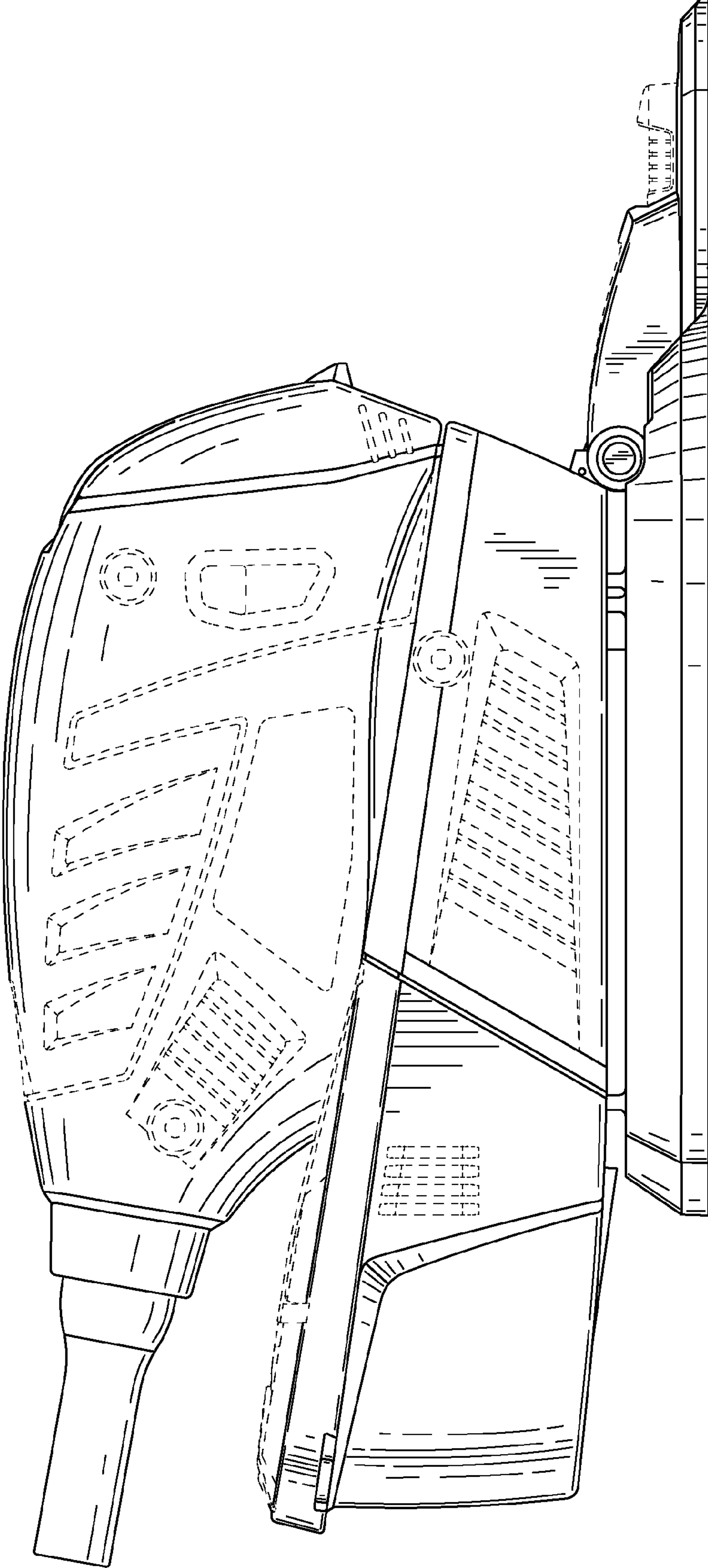
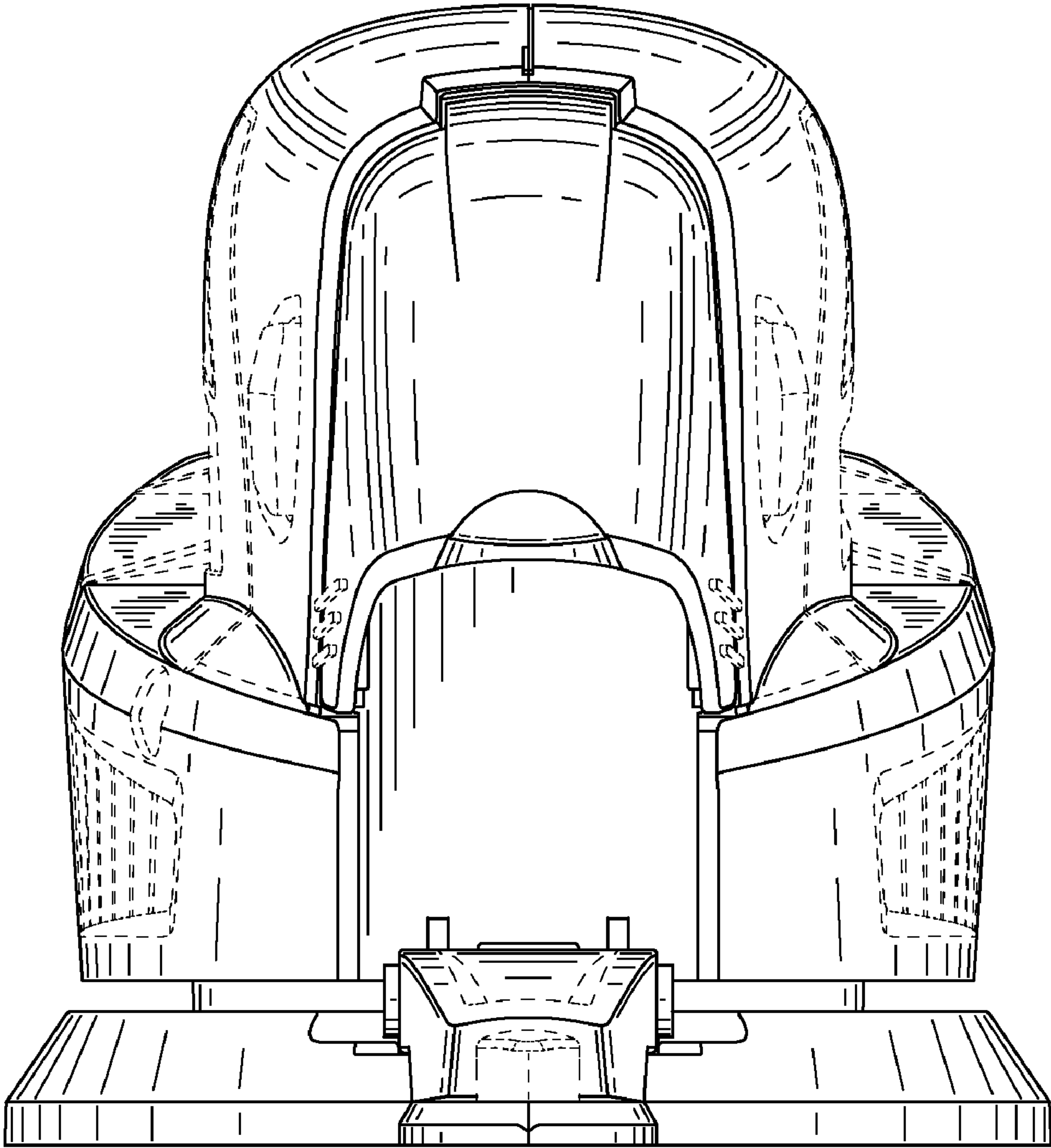
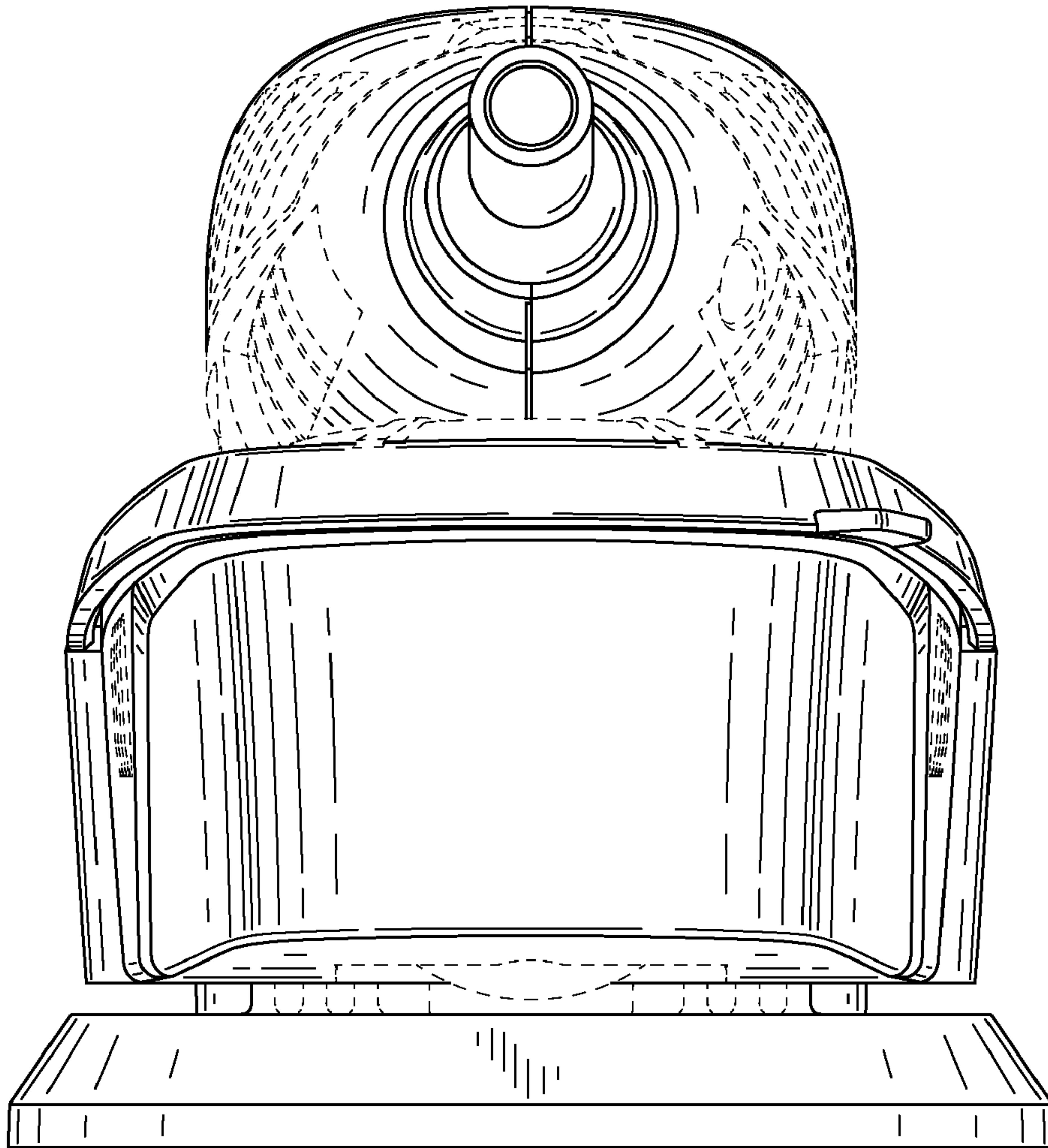


FIG. 3



**FIG. 4**



**FIG. 5**

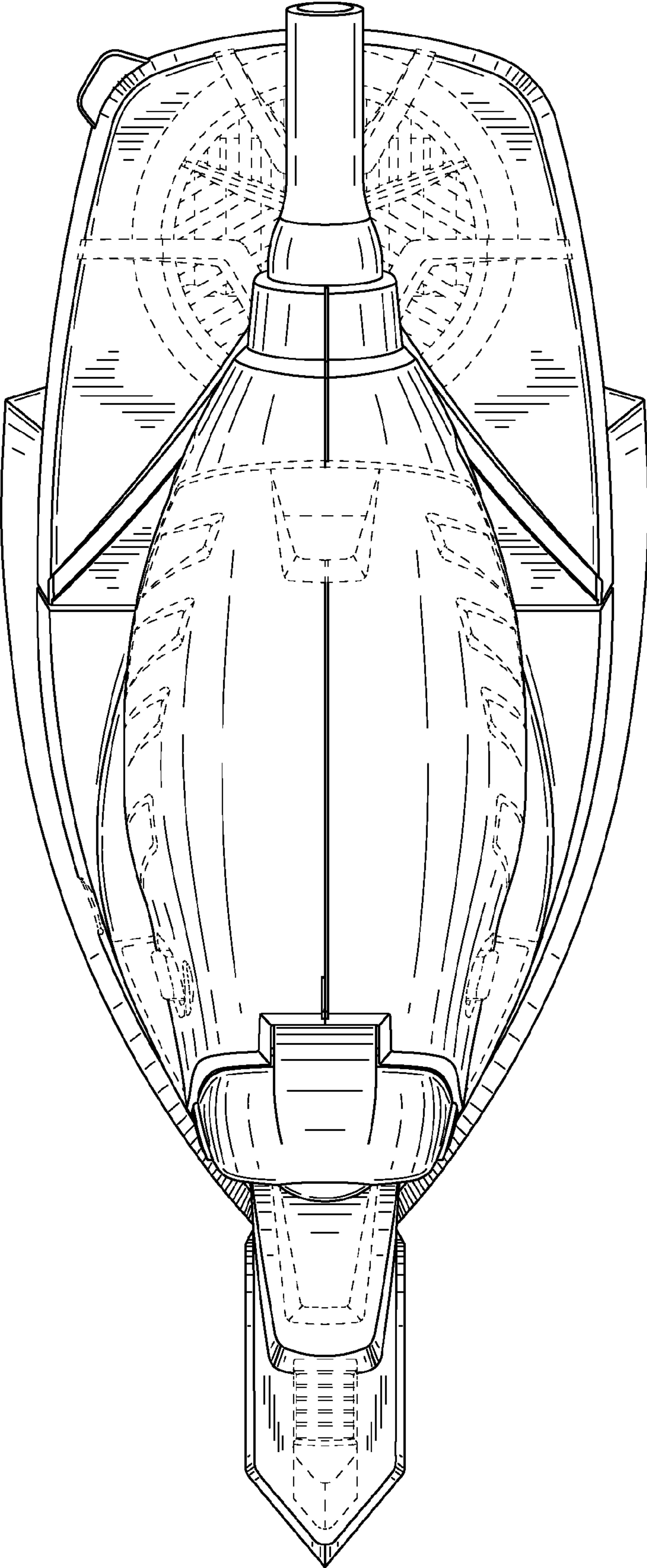


FIG. 6

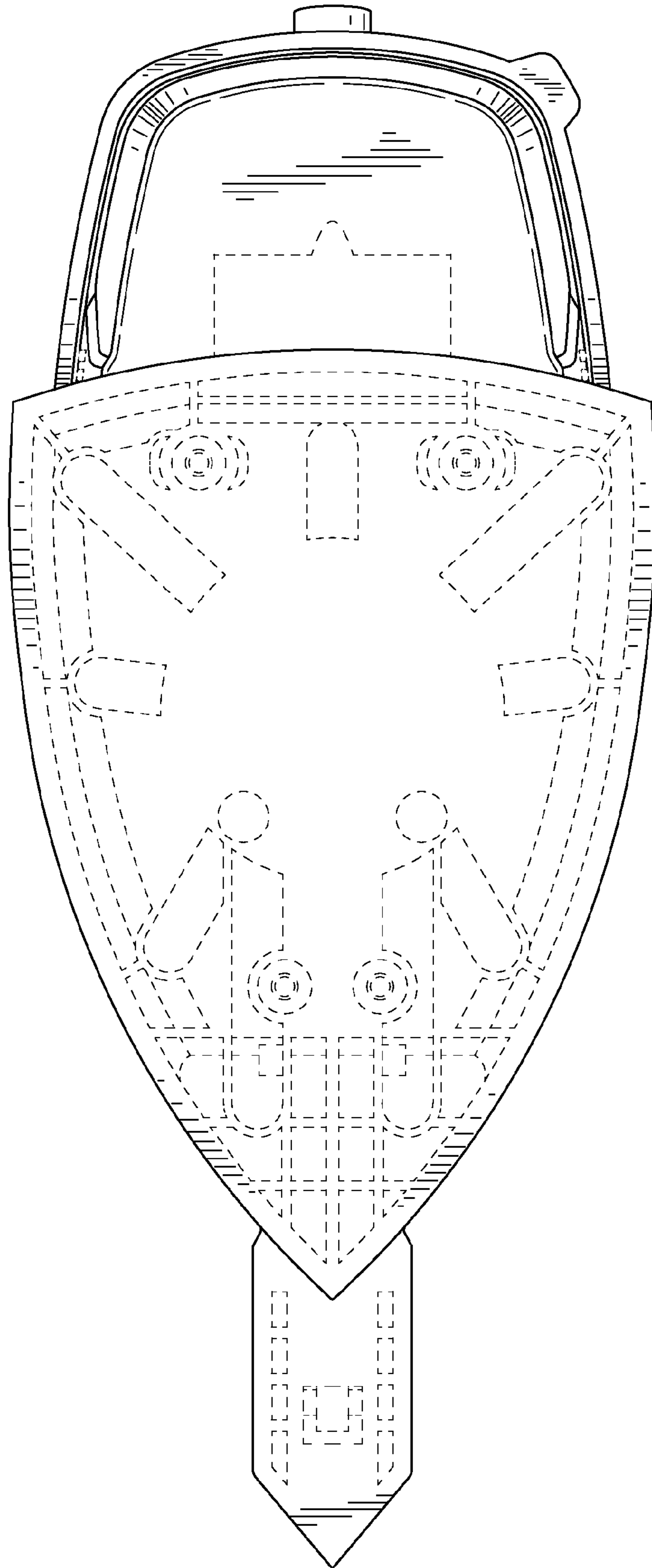


FIG. 7