



US00D640107S

(12) **United States Design Patent**
Okuda

(10) **Patent No.:** **US D640,107 S**
(45) **Date of Patent:** **** Jun. 21, 2011**

(54) **PORTABLE ELECTRONIC ROUTER**

(75) Inventor: **Shinsuke Okuda**, Anjo (JP)

(73) Assignee: **Makita Corporation**, Anjo (JP)

(**) Term: **14 Years**

(21) Appl. No.: **29/378,421**

(22) Filed: **Nov. 4, 2010**

(30) **Foreign Application Priority Data**

May 6, 2010 (JP) 2010-011016

(51) **LOC (9) Cl.** **08-03**

(52) **U.S. Cl.** **D8/61**

(58) **Field of Classification Search** D8/61,
D8/67, 70, 107; 409/182, 180, 134, 132,
409/131; 144/48.6, 252.1, 154.5, 136.95

See application file for complete search history.

(56) **References Cited**

U.S. PATENT DOCUMENTS

5,829,931	A *	11/1998	Doumani	409/182
D446,100	S *	8/2001	Heun	D8/61
D470,375	S *	2/2003	Lopano	D8/61
D470,735	S *	2/2003	Heun	D8/61
D473,119	S *	4/2003	Evans	D8/61
D477,203	S *	7/2003	Heun	D8/61
D478,259	S *	8/2003	Heun	D8/61
D484,763	S *	1/2004	Sham et al.	D8/64
D495,226	S *	8/2004	Grant et al.	D8/61
6,886,643	B2 *	5/2005	Riley et al.	173/29

D527,964	S *	9/2006	Riley et al.	D8/61
D528,099	S *	9/2006	Riley et al.	D14/155
D538,614	S *	3/2007	Aglassinger	D8/61
D570,172	S *	6/2008	Heun	D8/61
D588,892	S *	3/2009	Van Wambeke	D8/64
D619,436	S *	7/2010	Baker et al.	D8/61
D630,074	S *	1/2011	Wasielewski et al.	D8/61
2004/0222600	A1 *	11/2004	Jacobs et al.	279/48

FOREIGN PATENT DOCUMENTS

JP	S-D1067831	4/2000
JP	S-D1158190	11/2002

* cited by examiner

Primary Examiner — Austin Murphy

(74) *Attorney, Agent, or Firm* — Oliff & Berridge, PLC

(57) **CLAIM**

The ornamental design for a portable electronic router, as shown and described.

DESCRIPTION

FIG. 1 is a perspective view of a portable electronic router;

FIG. 2 is a front view thereof;

FIG. 3 is a top view thereof;

FIG. 4 is a right-side view thereof;

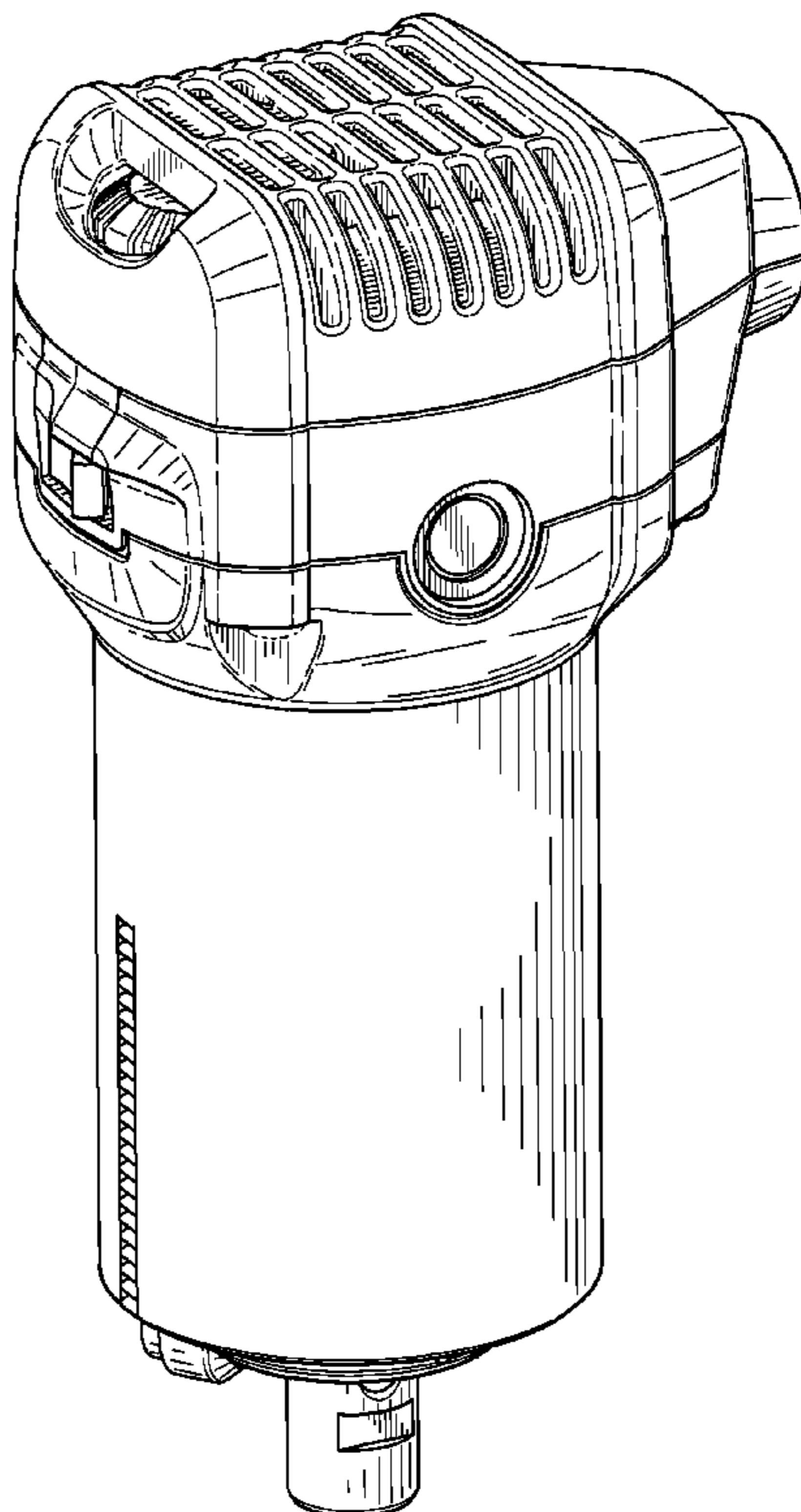
FIG. 5 is a left-side view thereof;

FIG. 6 is a rear view thereof; and,

FIG. 7 is a bottom view thereof.

The broken lines depict unclaimed subject matter of the portable electronic router only and form no part of the claimed design.

1 Claim, 7 Drawing Sheets



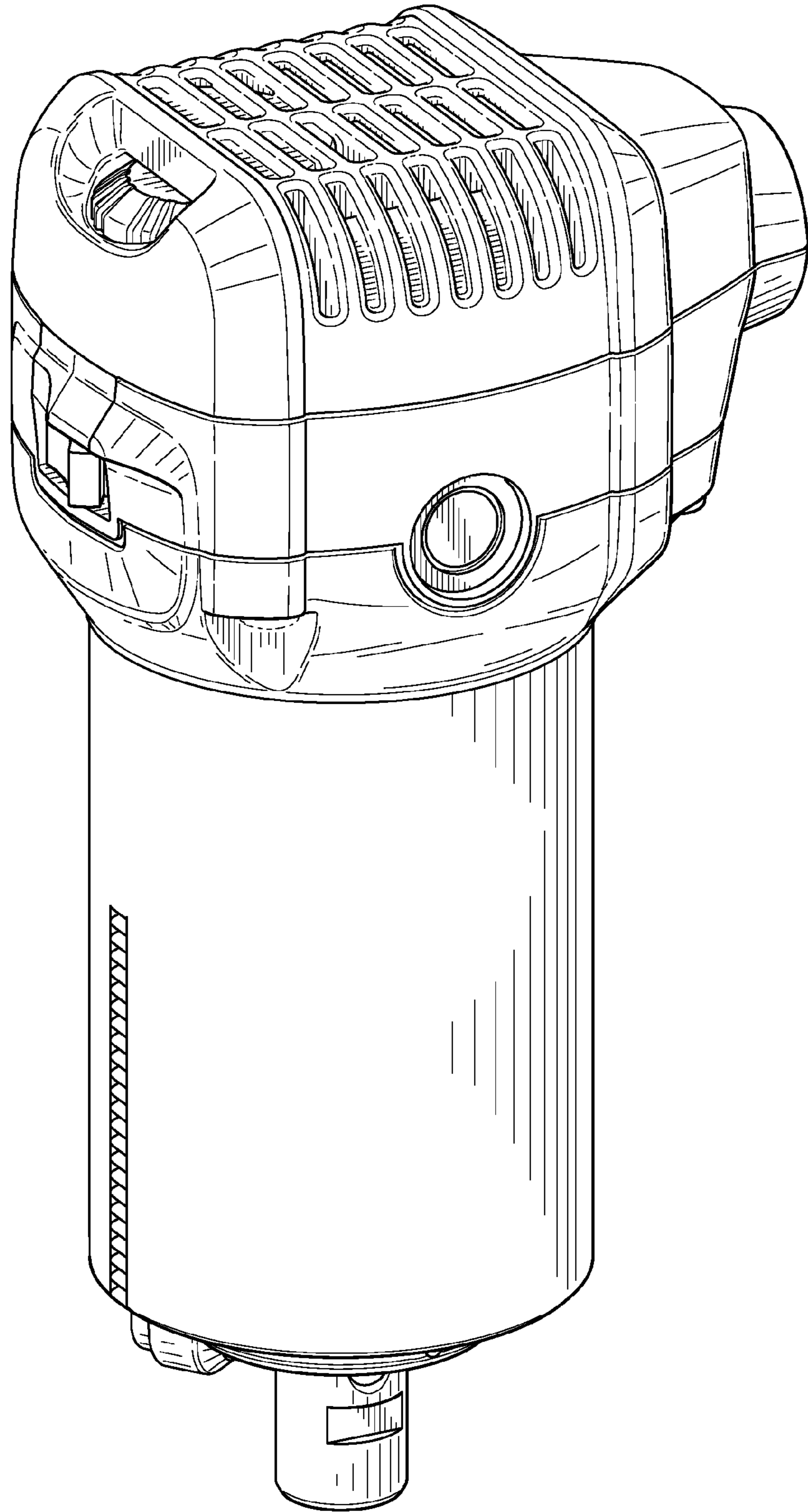


FIG. 1

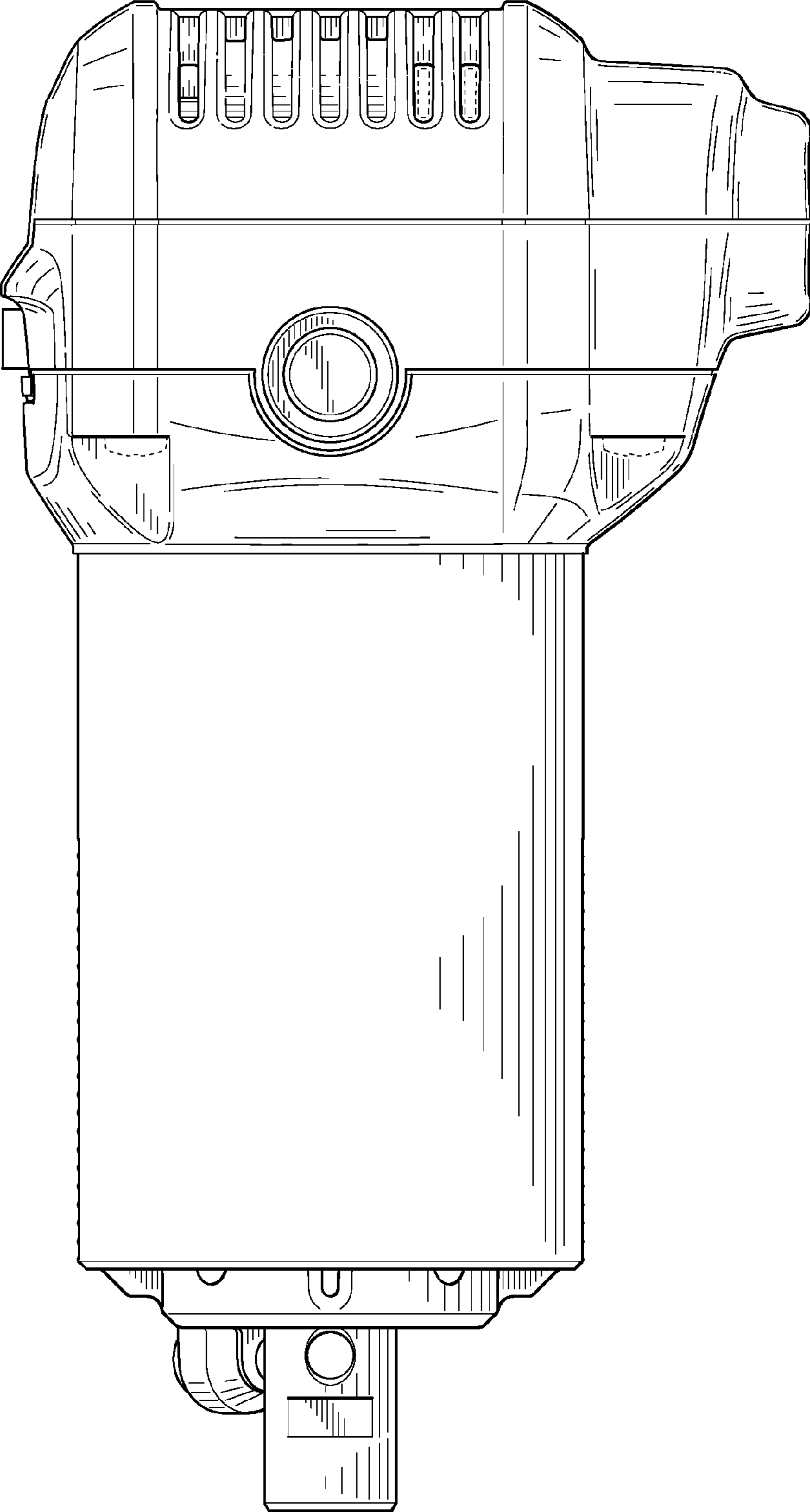


FIG. 2

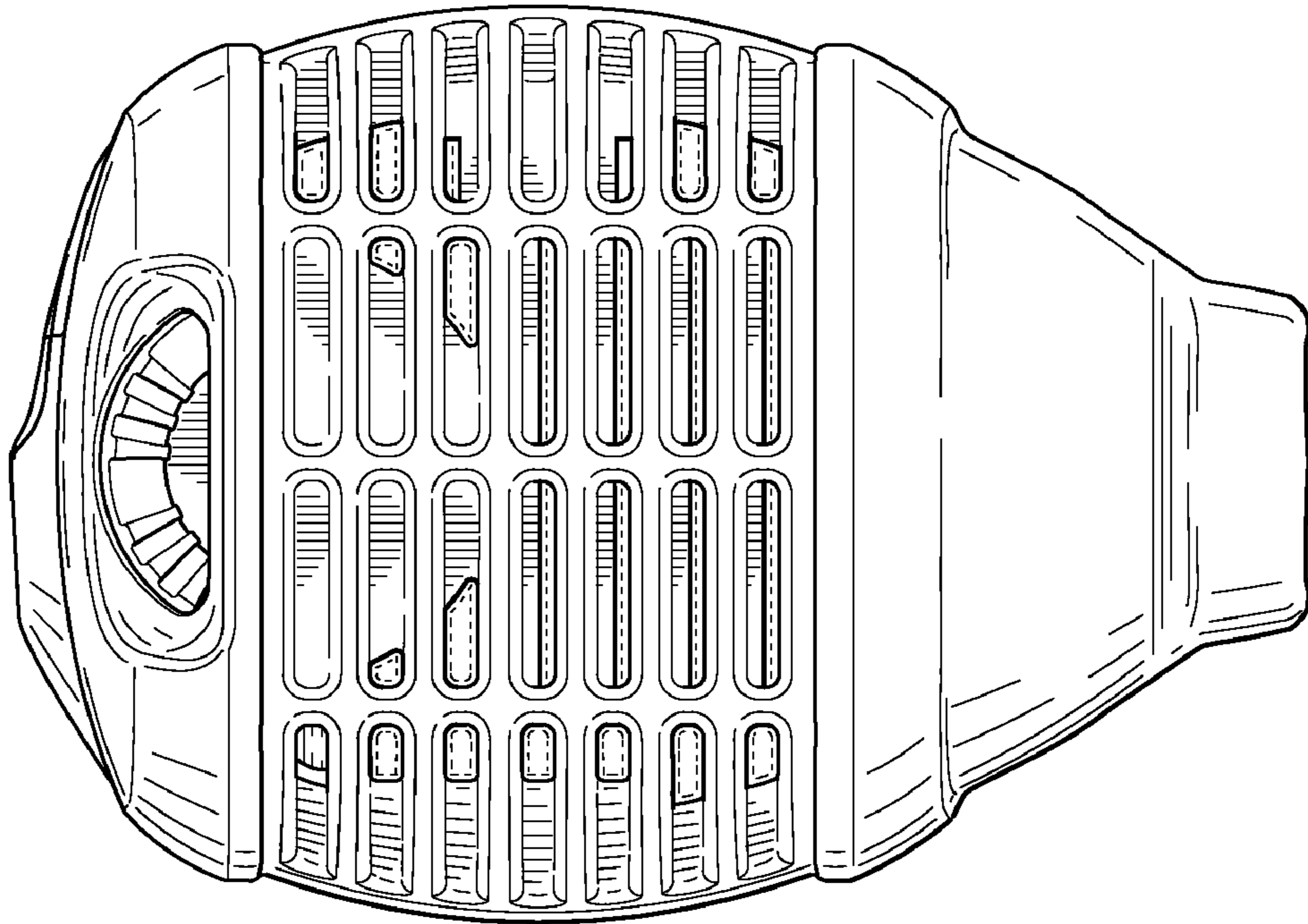


FIG. 3

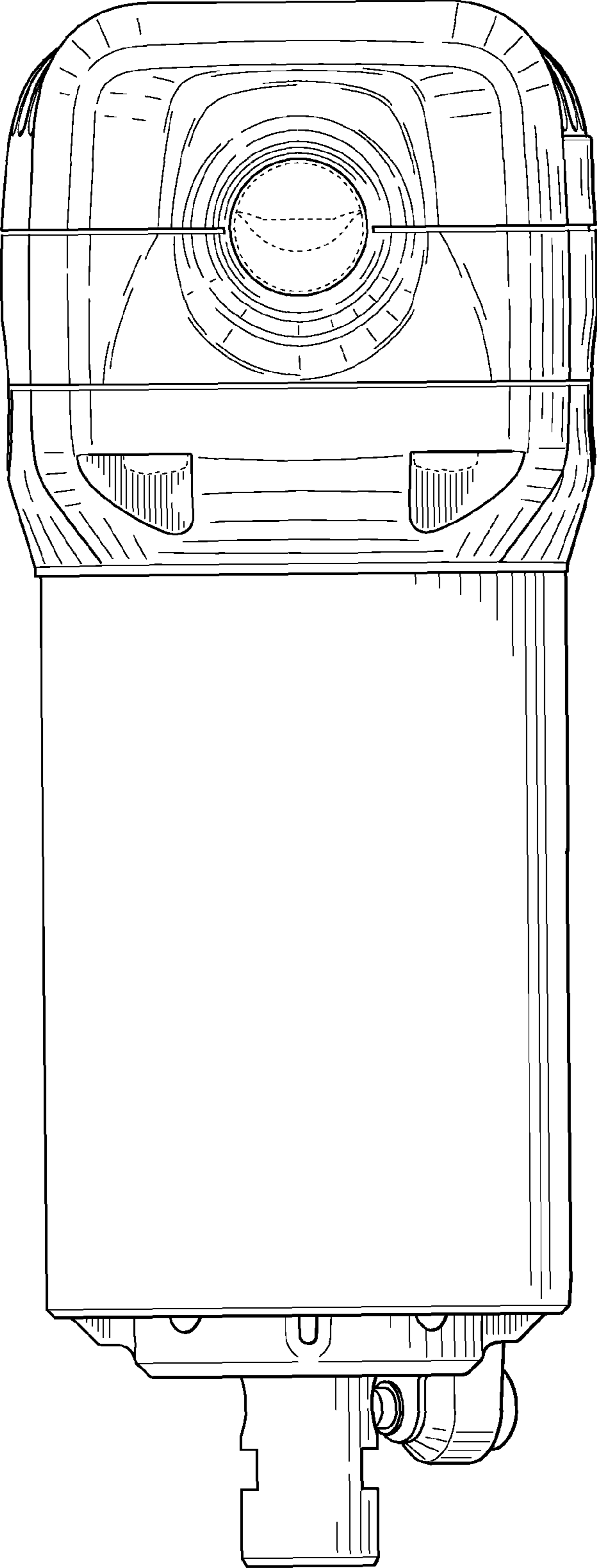


FIG. 4

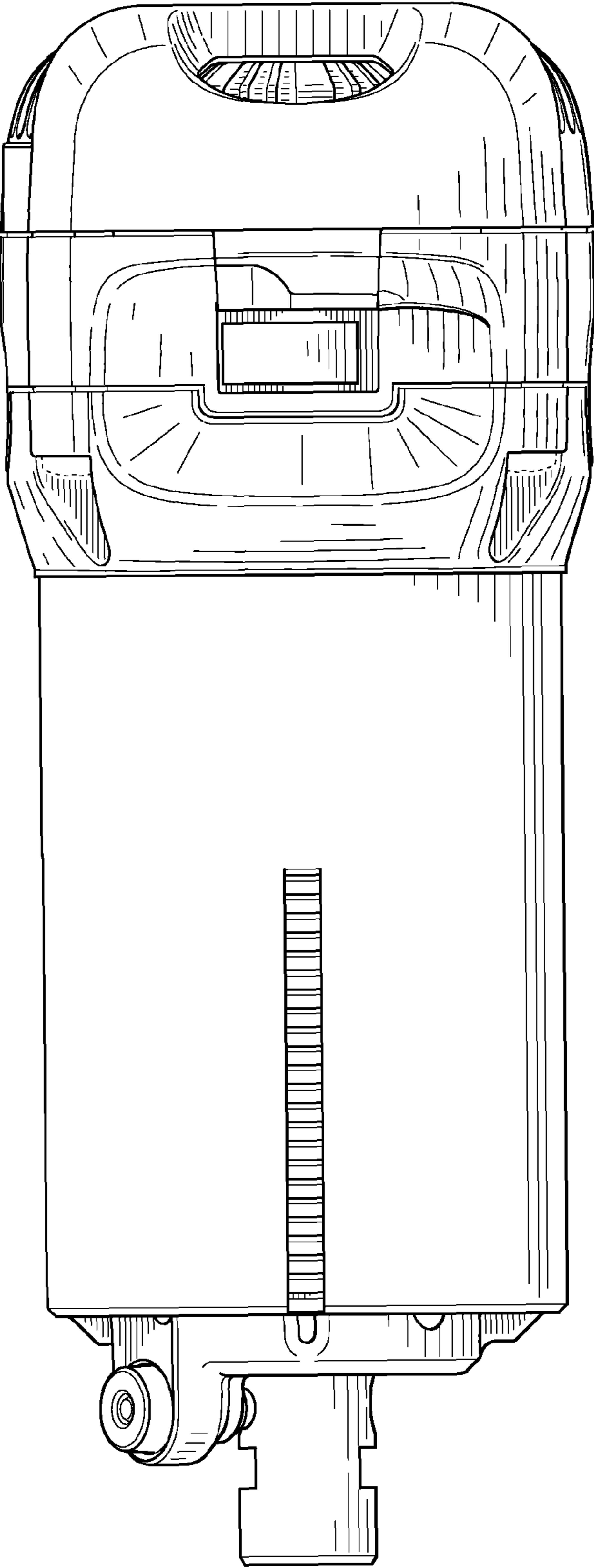


FIG. 5

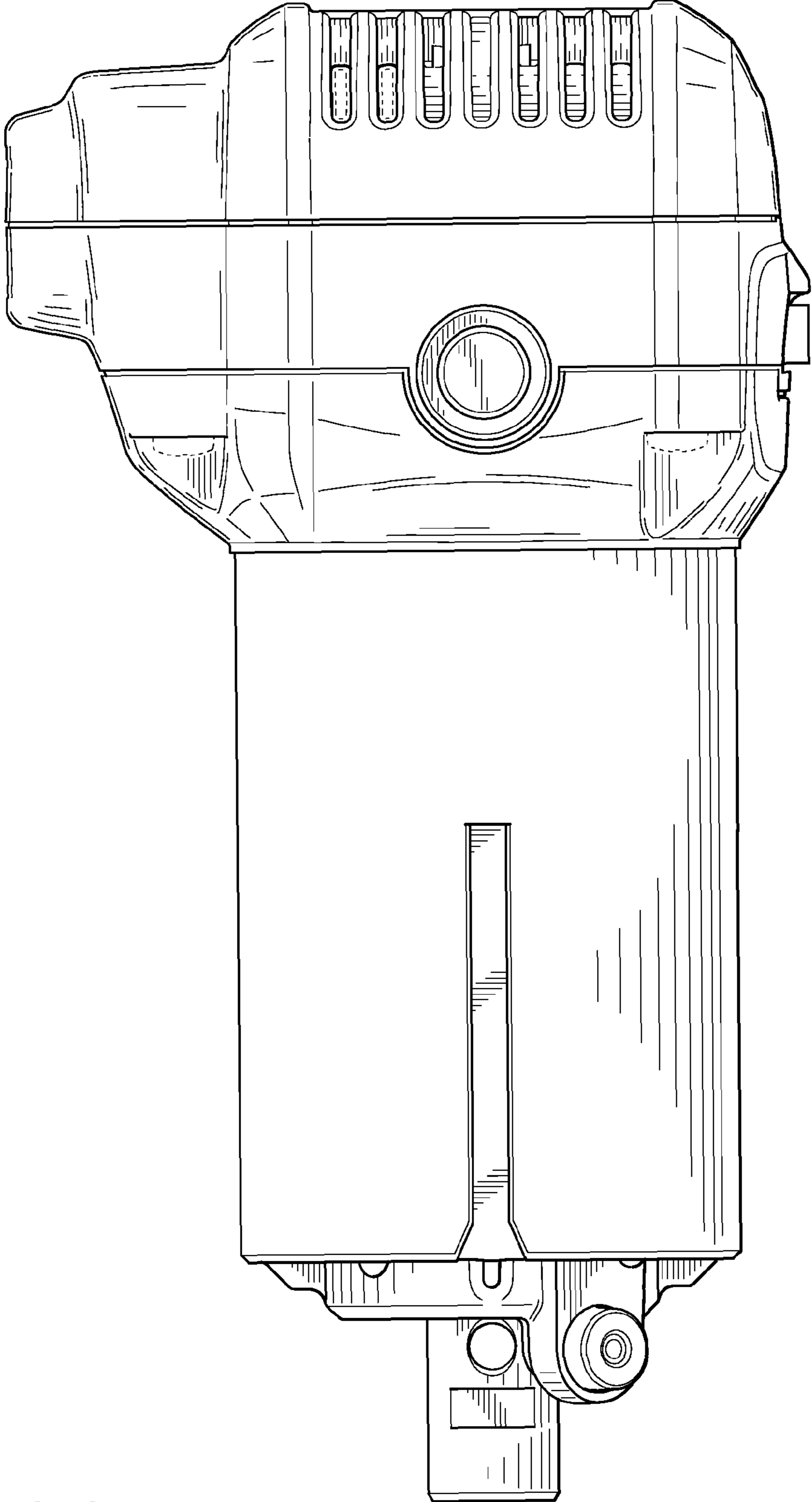


FIG. 6

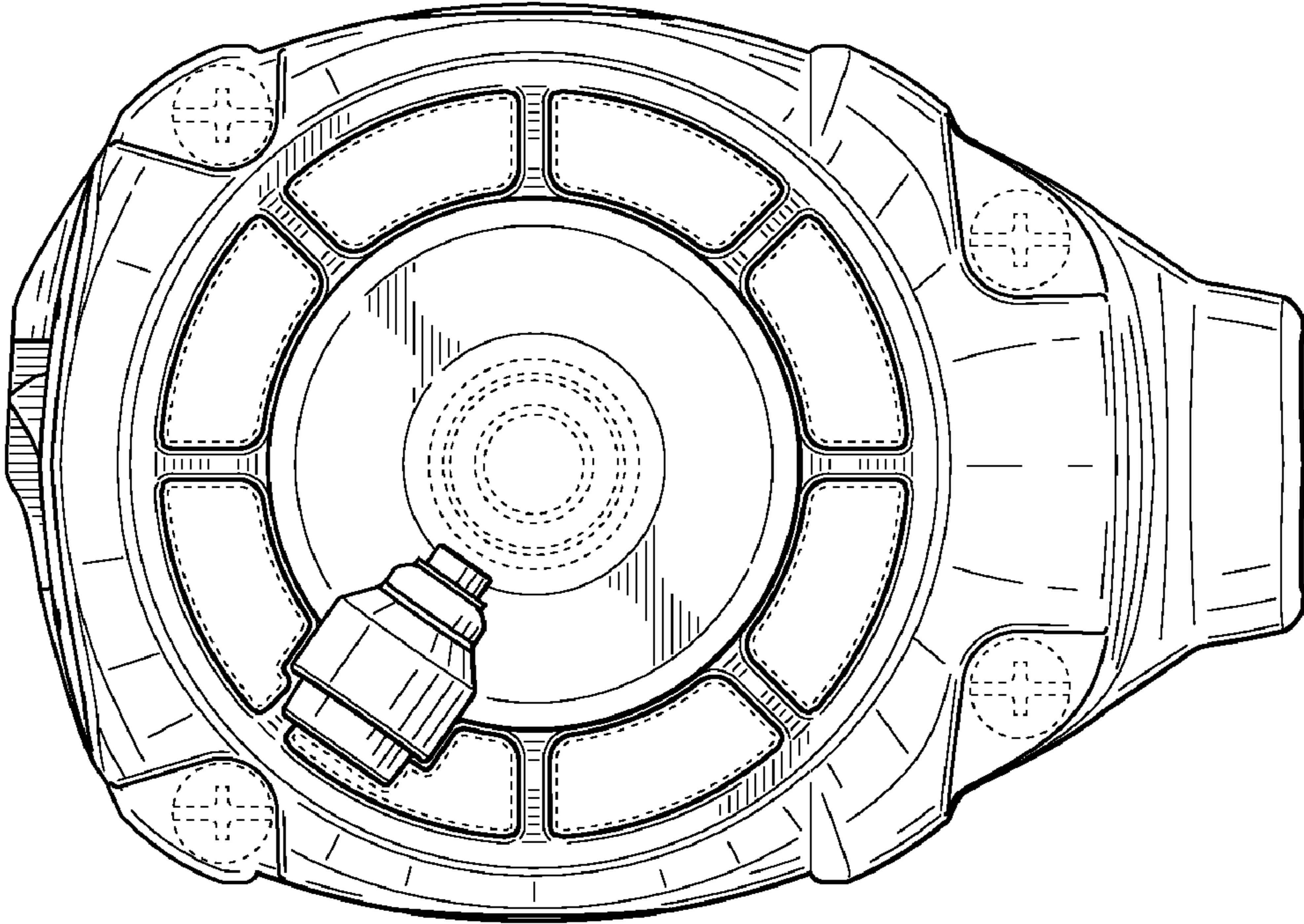


FIG. 7