



US00D640105S

(12) **United States Design Patent**  
**Benz**

(10) **Patent No.:** **US D640,105 S**

(45) **Date of Patent:** **\*\* Jun. 21, 2011**

(54) **BOTTLE UTENSIL HAVING BASEBALL BAT POMMEL**

(75) Inventor: **Gina Benz**, Armonk, NY (US)

(73) Assignee: **Private Label Autographs, LLC**,  
Armonk, NY (US)

(\*\*) Term: **14 Years**

(21) Appl. No.: **29/381,205**

(22) Filed: **Dec. 16, 2010**

(51) **LOC (9) Cl.** ..... **07-99**

(52) **U.S. Cl.** ..... **D8/38**

(58) **Field of Classification Search** ..... D8/14,  
D8/16-19, 33-43, 88, 89, 107; D21/725;  
7/113, 151-156; 81/3.07, 3.09, 3.2, 3.27,  
81/3.29, 3.31, 3.35, 3.37, 3.4, 3.45, 3.48,  
81/3.49, 3.55

See application file for complete search history.

(56) **References Cited**

U.S. PATENT DOCUMENTS

D27,208 S *	6/1897	Carlson	.....	D8/41
D27,532 S *	8/1897	Molidor	.....	D8/41
D38,166 S *	8/1906	Hasselbring	.....	D8/40
1,425,704 A *	8/1922	Shek	.....	30/443
1,520,670 A *	12/1924	Appel	.....	7/156
D141,352 S *	5/1945	Block	.....	D8/38
D167,005 S *	6/1952	Sarna	.....	D8/34

D344,777 S *	3/1994	Lo	.....	D21/725
D415,398 S *	10/1999	Wysopal	.....	D8/38
D461,213 S *	8/2002	Smith	.....	D21/725
D516,885 S *	3/2006	Yang	.....	D8/33
D526,034 S *	8/2006	Davis et al.	.....	D21/725
D623,915 S *	9/2010	Willoughby	.....	D8/40

\* cited by examiner

*Primary Examiner* — Garth Rademaker

(74) *Attorney, Agent, or Firm* — Leason Ellis LLP

(57) **CLAIM**

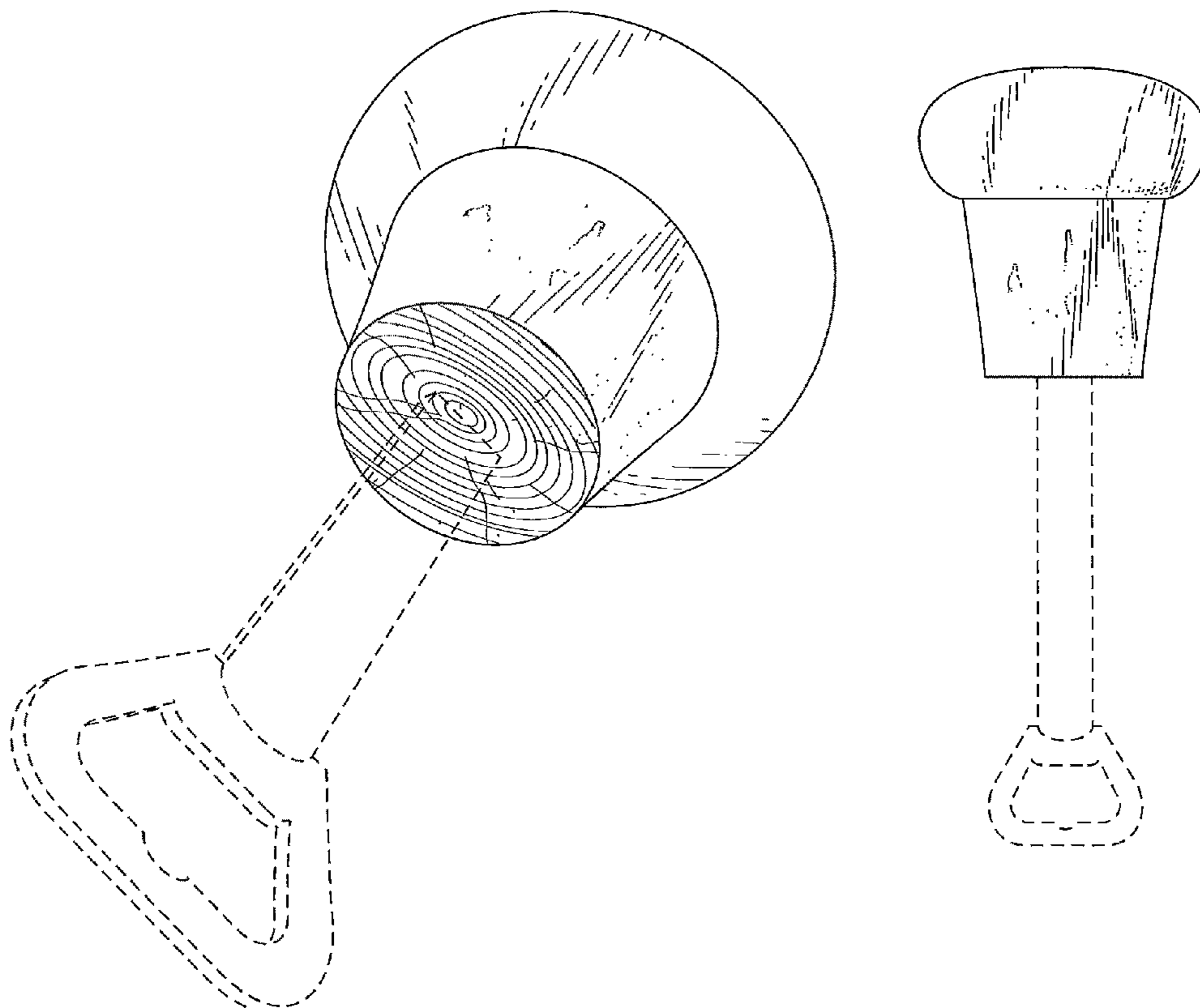
The ornamental design for a bottle utensil having baseball bat pommel, as shown and described.

**DESCRIPTION**

FIG. 1 is a perspective view of a bottle utensil having baseball bat pommel illustrating my new design;  
 FIG. 2 is a side elevation view thereof, shown in an alternative environment, the opposite side, front, and rear elevation views appearing identical thereto;  
 FIG. 3 is a side elevation view thereof, shown in another alternative environment;  
 FIG. 4 is a side elevation view thereof, shown in the same environment as in FIG. 1;  
 FIG. 5 is a top plan view thereof; and,  
 FIG. 6 is a bottom plan view thereof, shown in the same environment as FIG. 1.

The broken lines shown in the figures illustrate different environments only and form no part of the claimed design.

**1 Claim, 3 Drawing Sheets**



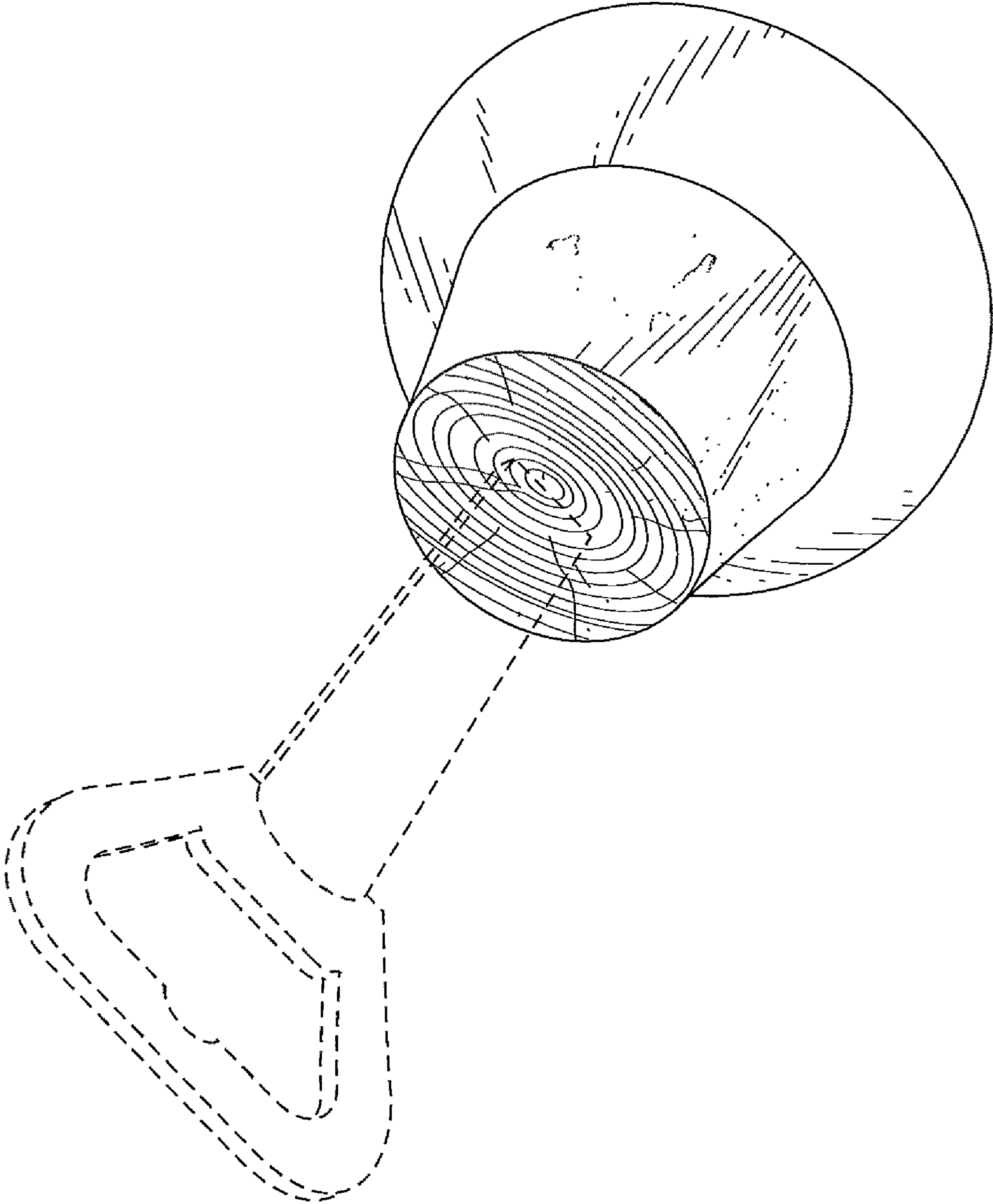


Fig. 1

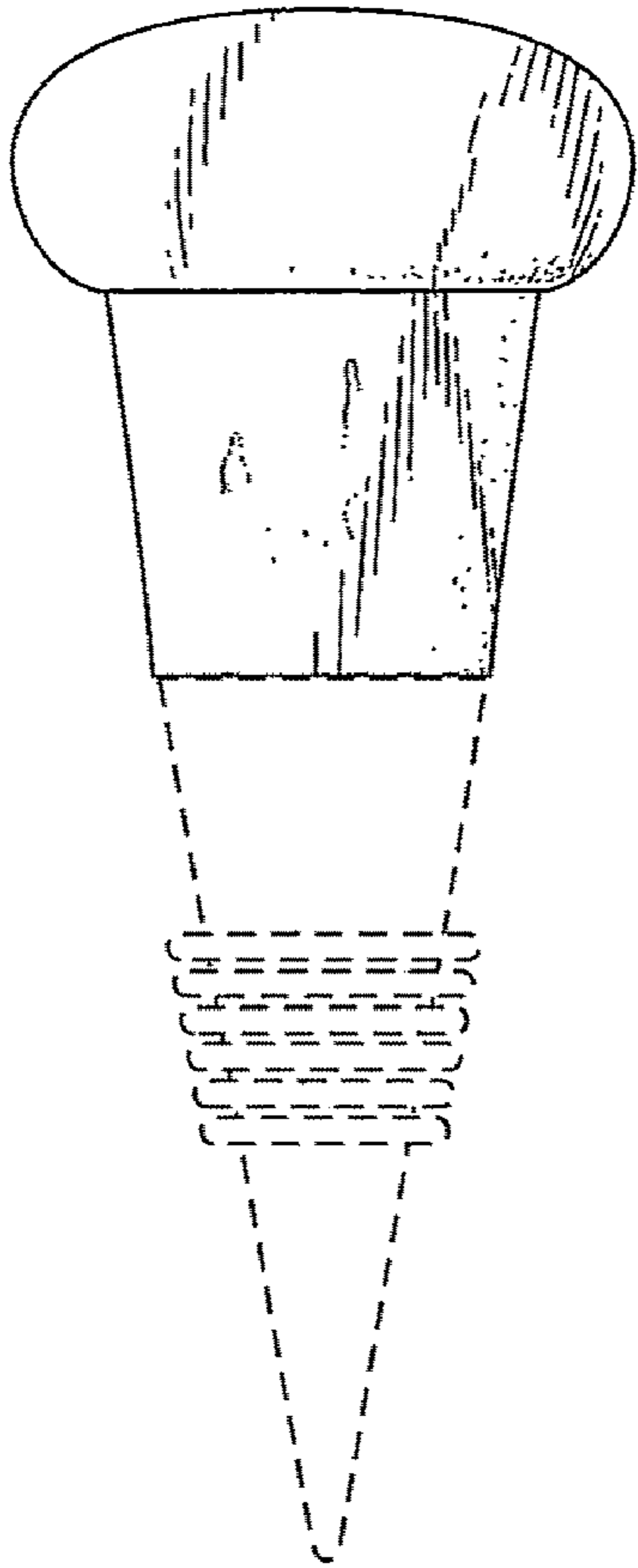


Fig. 2

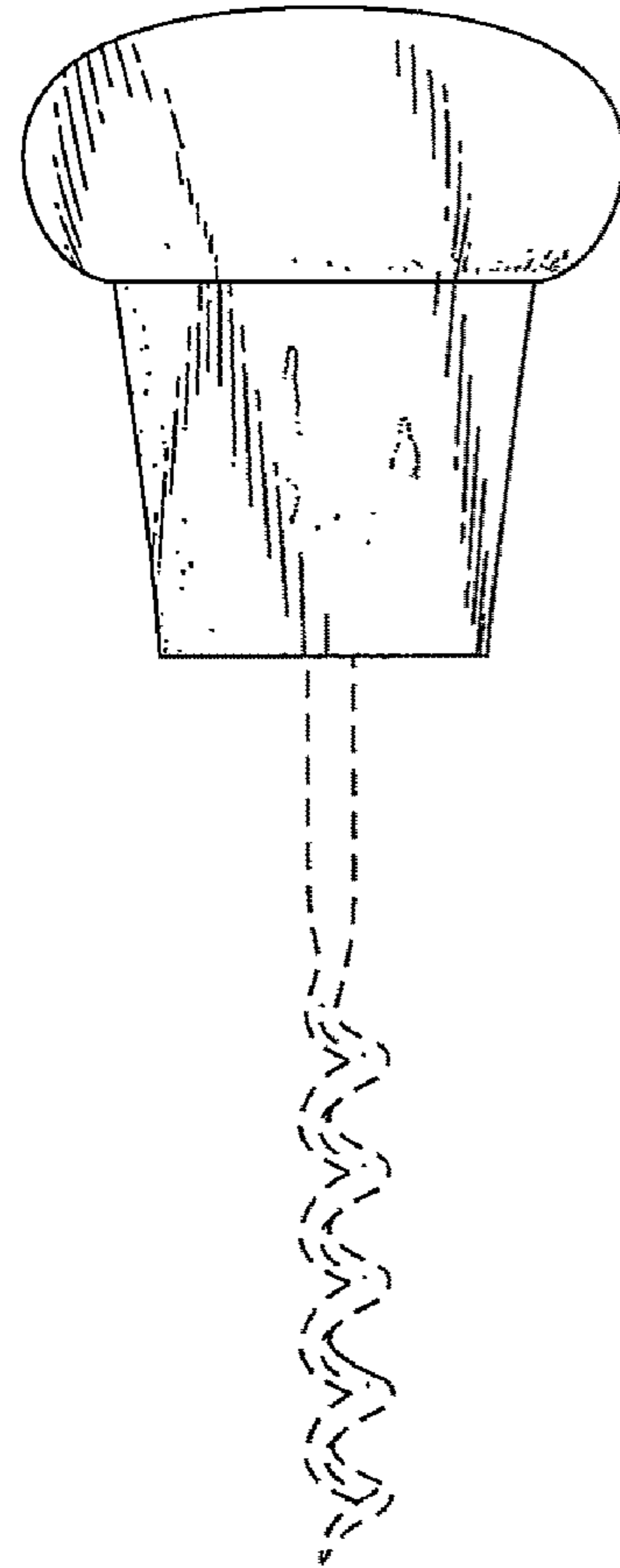


Fig. 3

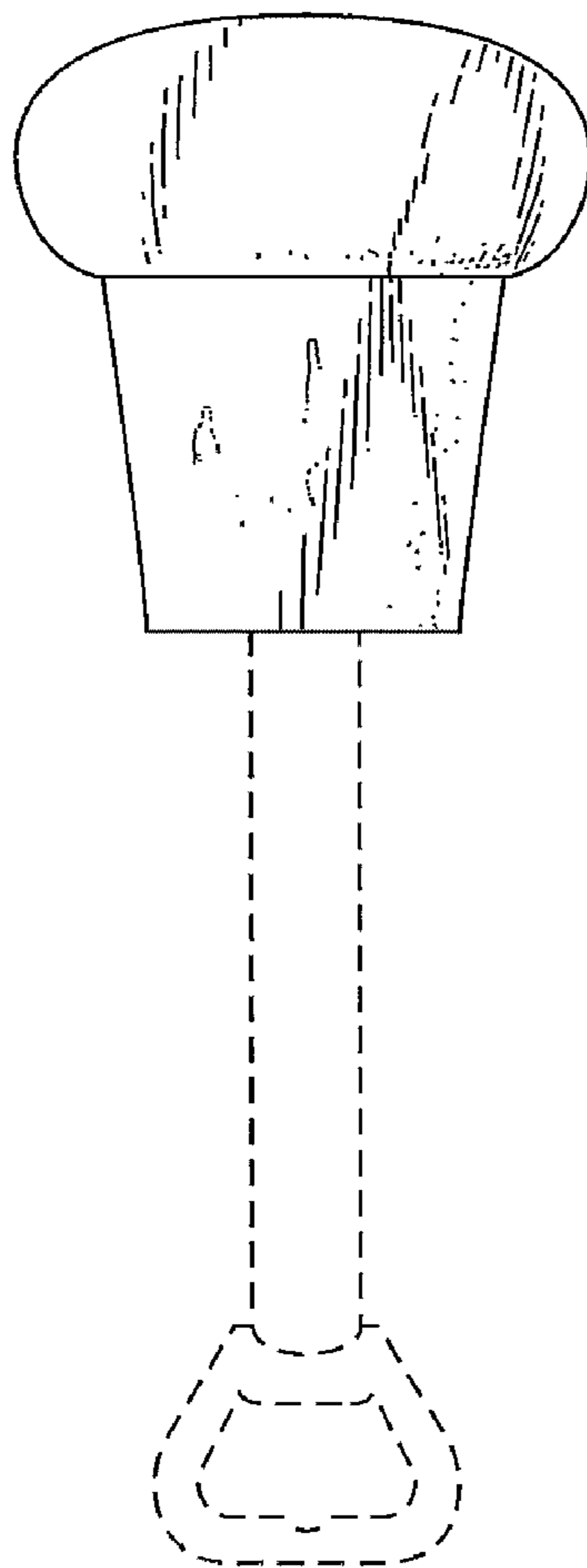


Fig. 4

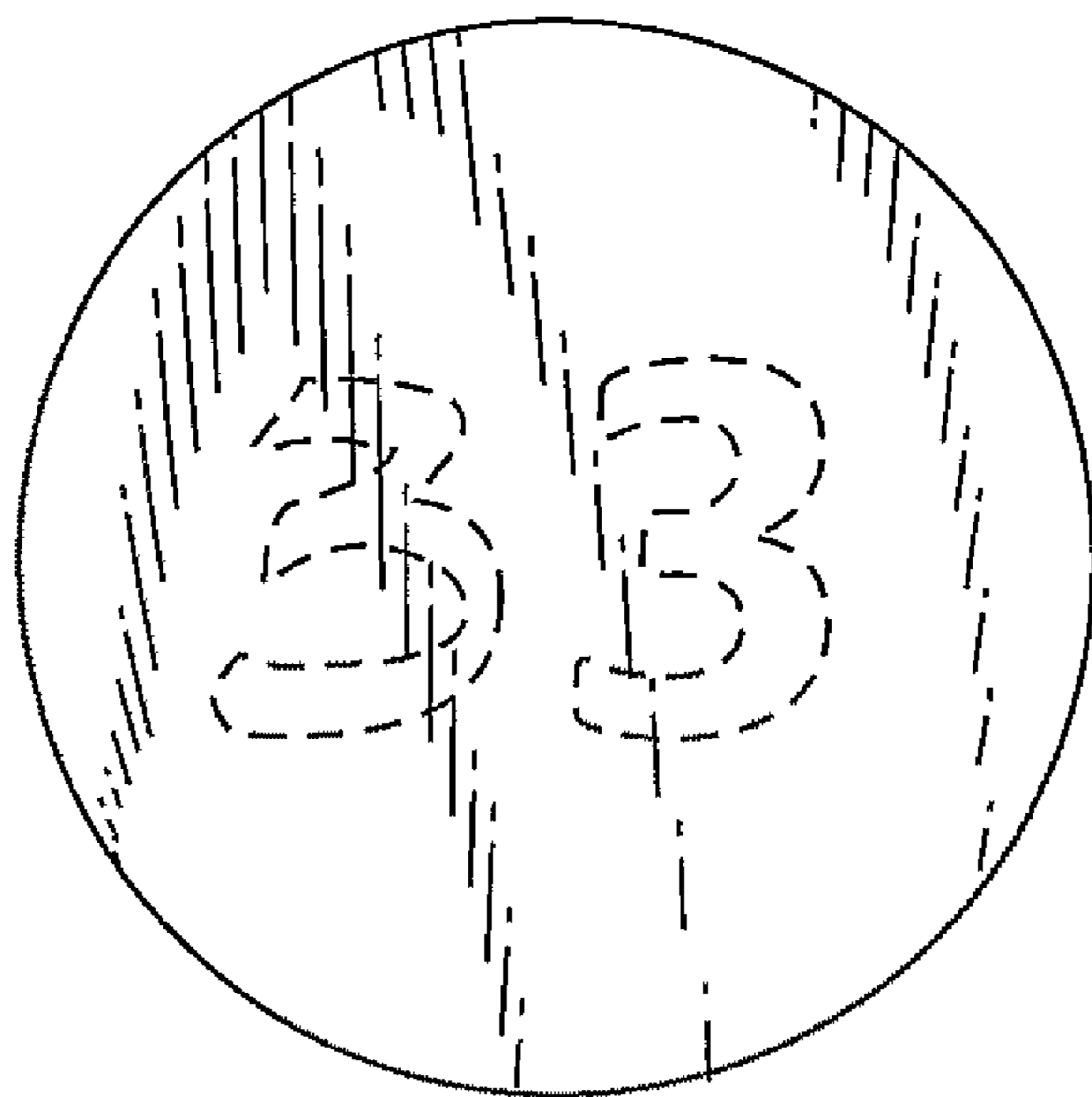


Fig. 5

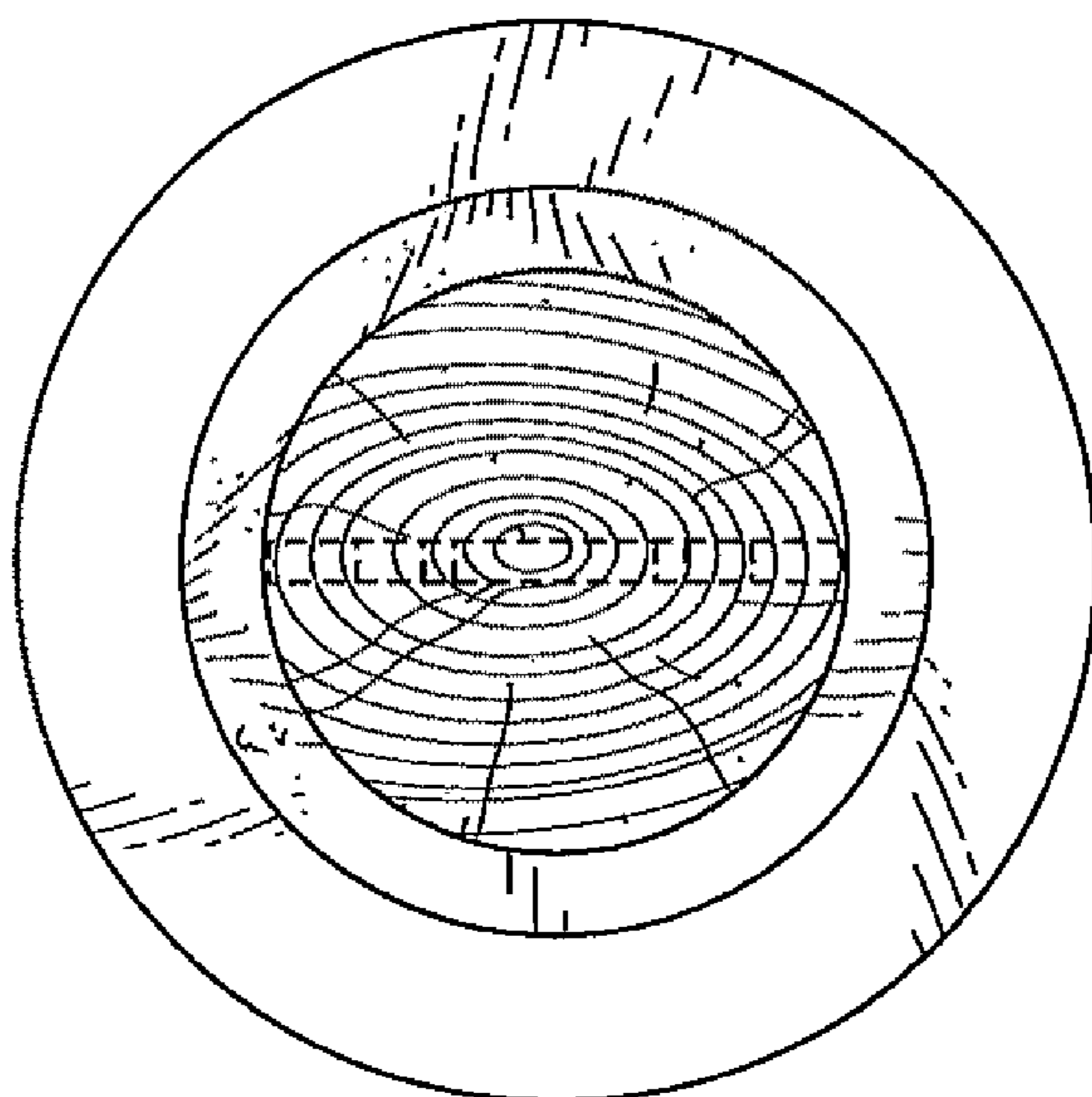


Fig. 6