



US00D640104S

(12) **United States Design Patent**  
**Paolini**

(10) **Patent No.:** **US D640,104 S**

(45) **Date of Patent:** **\*\* Jun. 21, 2011**

(54) **RAKE**

(76) Inventor: **Kenneth Paolini**, Trumbull, CT (US)

(\*\*) Term: **14 Years**

(21) Appl. No.: **29/349,017**

(22) Filed: **Mar. 2, 2010**

(51) **LOC (9) Cl.** ..... **08-01**

(52) **U.S. Cl.** ..... **D8/13**

(58) **Field of Classification Search** ..... D8/6, 13;  
172/375, 371-372; 56/400.04-400.21; 7/114-116  
See application file for complete search history.

(56) **References Cited**

U.S. PATENT DOCUMENTS

D306,682	S	*	3/1990	Thompson	.....	D8/13
D310,619	S	*	9/1990	Schade	.....	D8/13
5,004,053	A	*	4/1991	Martell	.....	172/375
D370,603	S	*	6/1996	Lampman	.....	D8/13

D376,301	S	*	12/1996	Yates et al.	.....	D8/13
D546,145	S	*	7/2007	Fortier	.....	D8/13
D546,641	S	*	7/2007	Fortier	.....	D8/6

\* cited by examiner

*Primary Examiner* — Holly H Baynham

*Assistant Examiner* — Sheryl Lane

(74) *Attorney, Agent, or Firm* — Patrick J. Walsh

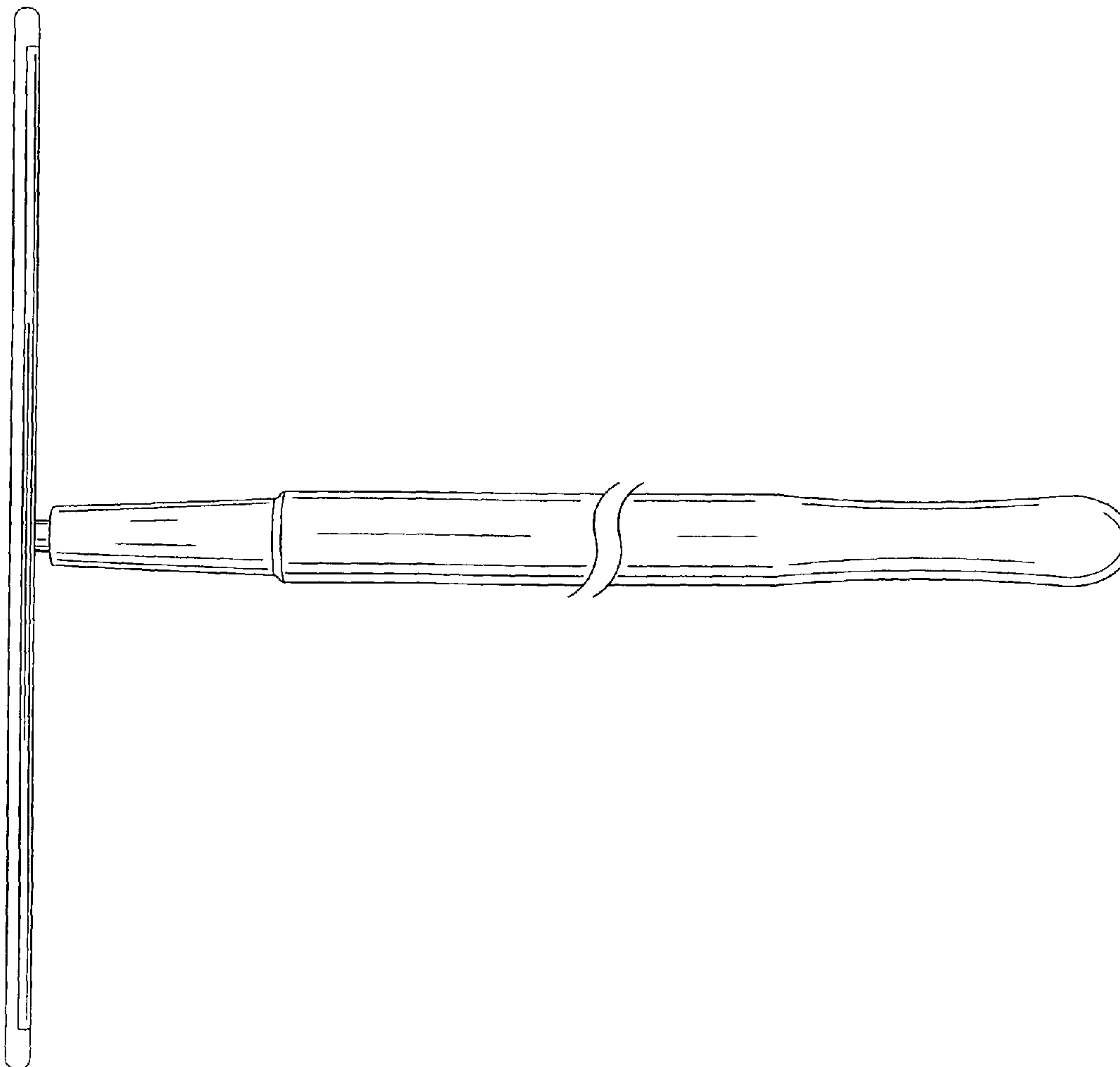
(57) **CLAIM**

The ornamental design for rake, as shown and described.

**DESCRIPTION**

FIG. 1 is a plan view of rake, showing my new design;  
FIG. 2 is a front elevation view thereof;  
FIG. 3 is a left side elevation view thereof, the right side being the same;  
FIG. 4 is a bottom view thereof; and,  
FIG. 5 is a rear elevation view thereof.  
The rake handle is broken away to indicate that no particular length is claimed.

**1 Claim, 5 Drawing Sheets**



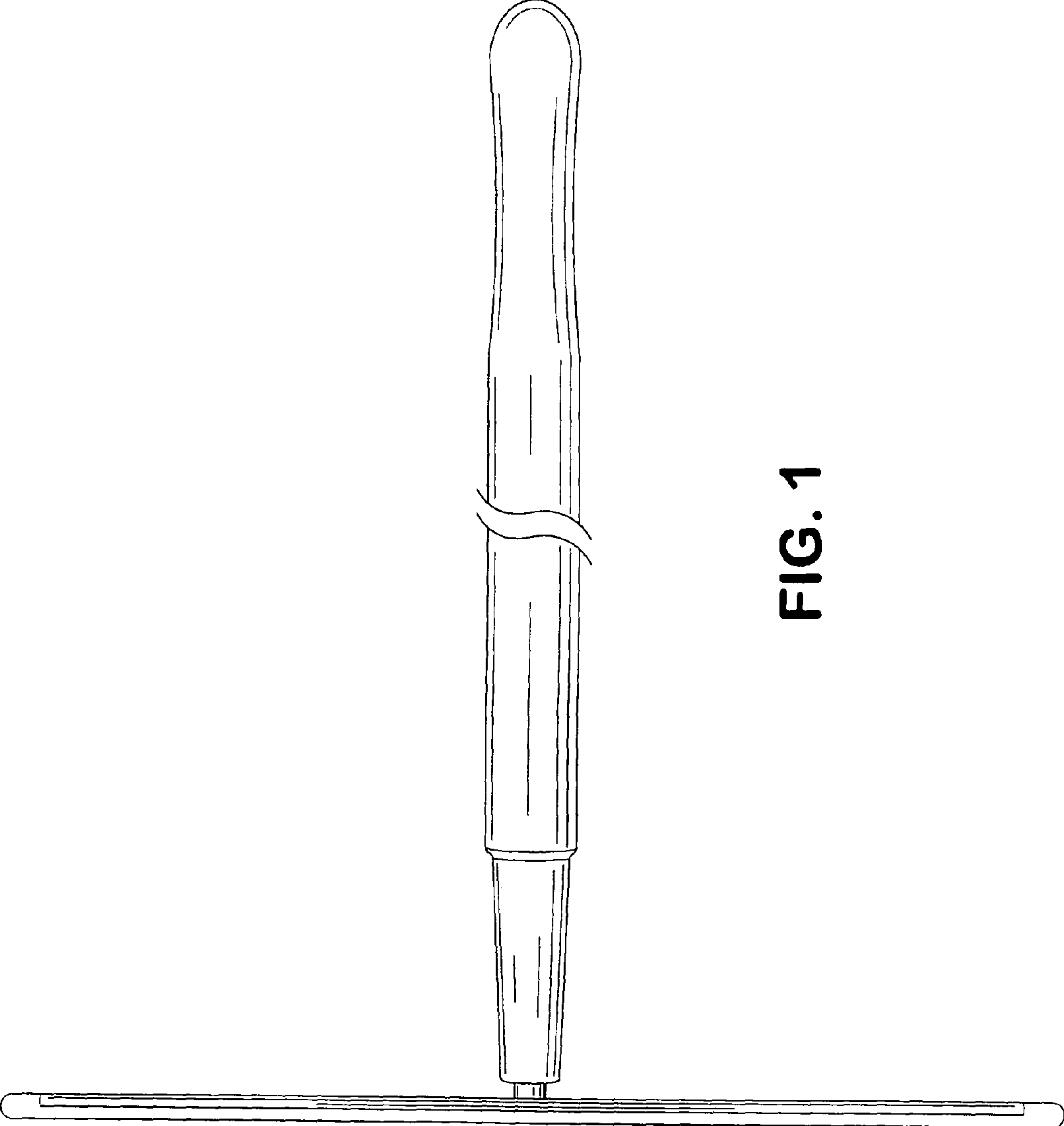
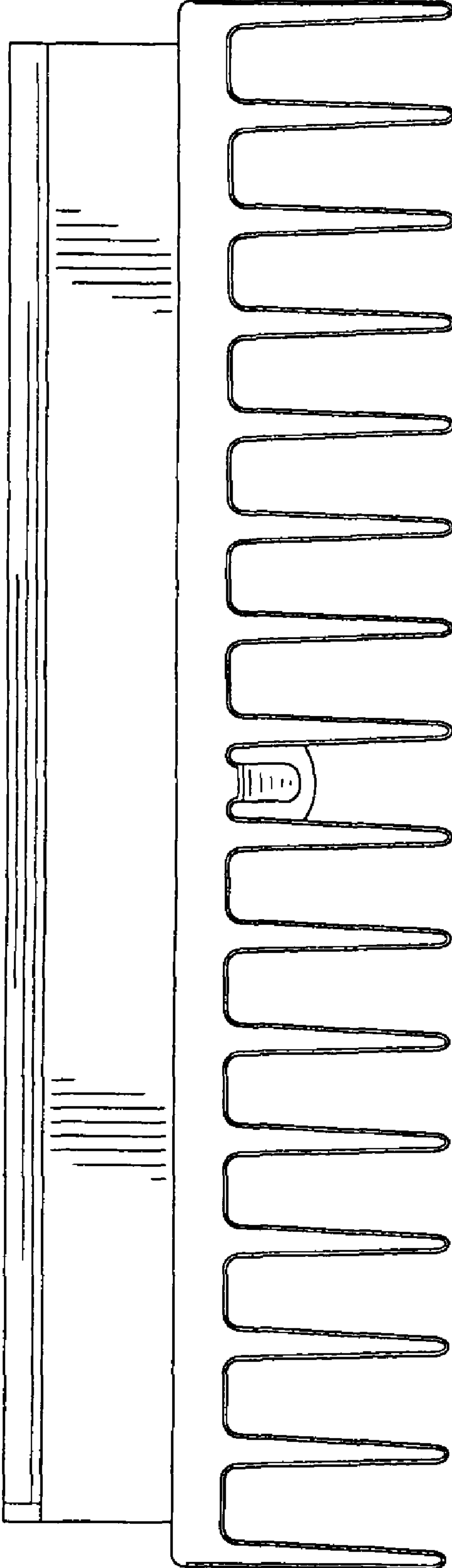
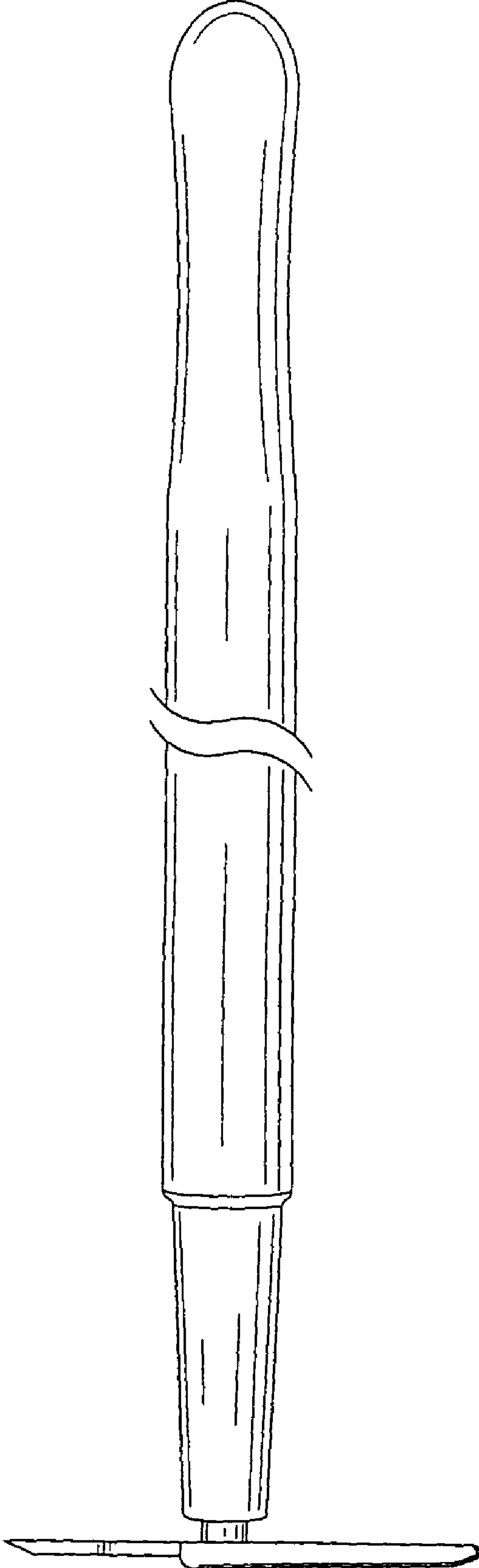


FIG. 1



**FIG. 2**



**FIG. 3**

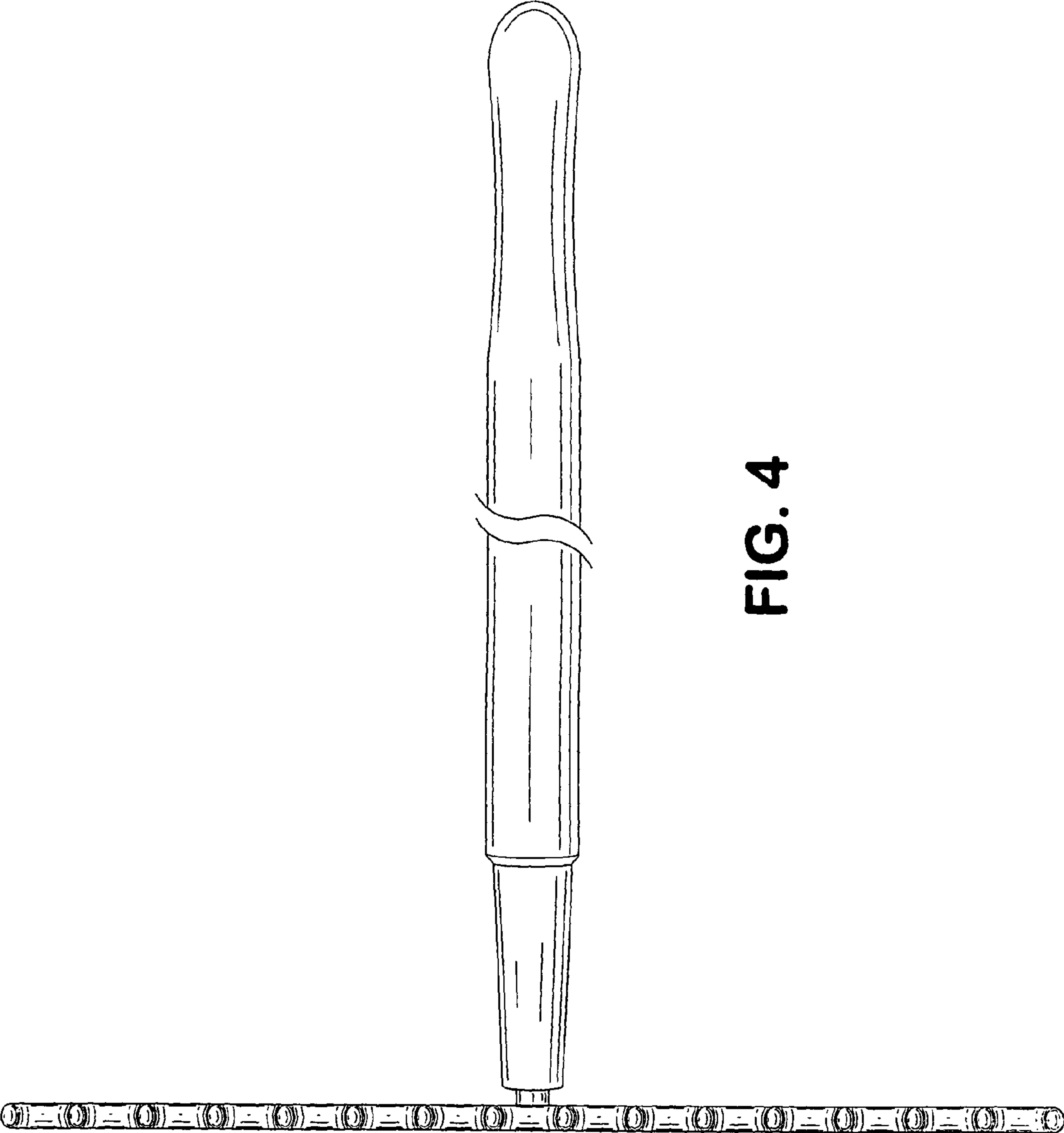
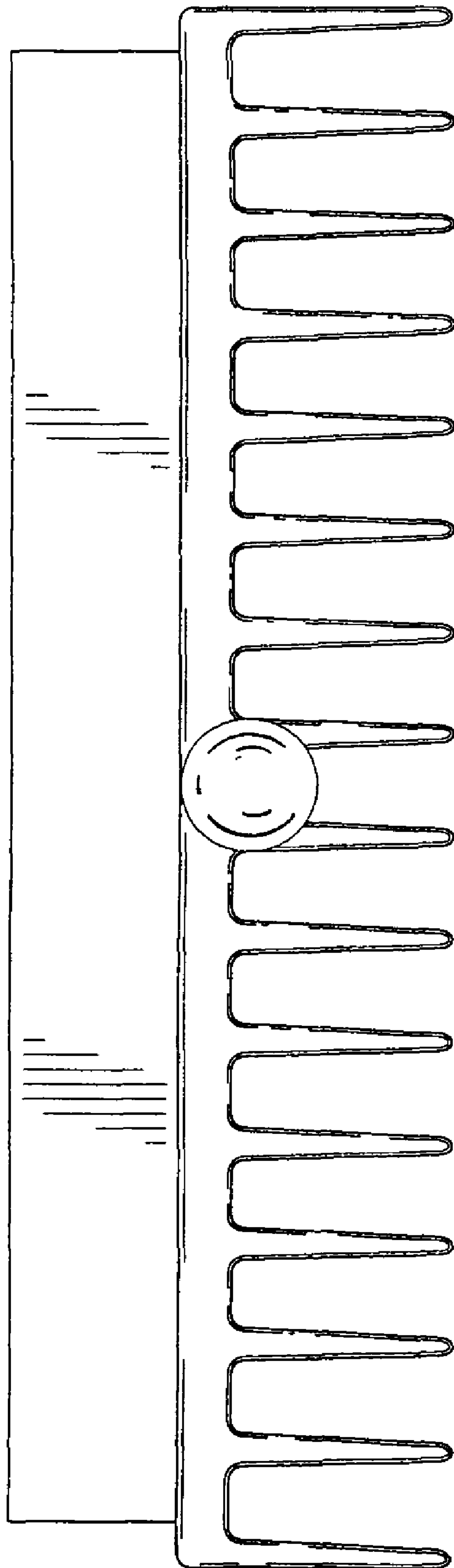


FIG. 4



**FIG. 5**