



US00D640102S

(12) **United States Design Patent**  
**Hawkins**

(10) **Patent No.:** **US D640,102 S**  
(45) **Date of Patent:** **\*\* Jun. 21, 2011**

(54) **COOLER**

D558,239 S \* 12/2007 Takemoto et al. .... D15/79  
7,360,784 B2 \* 4/2008 Stewart et al. .... 220/6  
7,603,875 B2 \* 10/2009 Carr ..... 62/457.7

(76) Inventor: **Jeremiah Hawkins**, Grass Valley, CA  
(US)

\* cited by examiner

(\*\*) Term: **14 Years**

*Primary Examiner* — Terry Wallace

(74) *Attorney, Agent, or Firm* — Paul R. Martin

(21) Appl. No.: **29/372,456**

(57) **CLAIM**

The ornamental design for a cooler, as shown and described.

(22) Filed: **Nov. 23, 2010**

**DESCRIPTION**

(51) **LOC (9) Cl.** ..... **07-01**

(52) **U.S. Cl.** ..... **D7/605**

(58) **Field of Classification Search** ..... D7/605–608;  
62/457.1–457.9, 371, 372; 220/915.1, 915.2,  
220/592.2, 592.01, 592.03, 592.16, 592.17  
See application file for complete search history.

FIG. 1 is a perspective view from above of the cooler of this invention with the lid open.

FIG. 2 is a perspective view from above of the cooler of this invention with the lid closed.

FIG. 3 is a top plan view of the cooler shown in FIG. 2.

FIG. 4 is a front elevational view of the cooler shown in FIG. 2.

FIG. 5 is a rear elevational view of the cooler shown in FIG. 2;

FIG. 6 is a bottom plan view of the cooler shown in FIG. 2;

FIG. 7 is a right side elevational view of the cooler shown in FIG. 2; and,

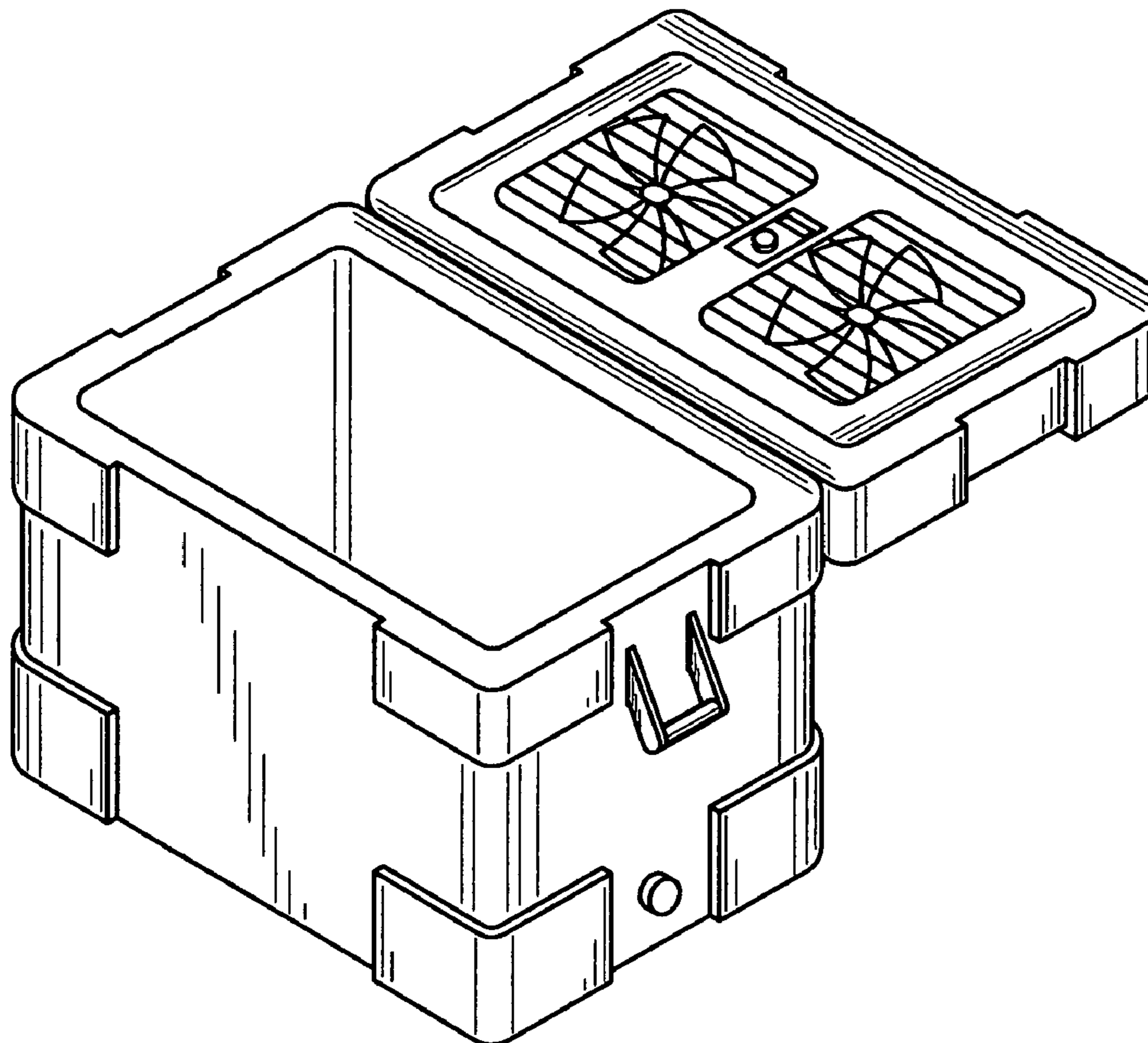
FIG. 8 is a left side elevational view of the cooler shown in FIG. 2.

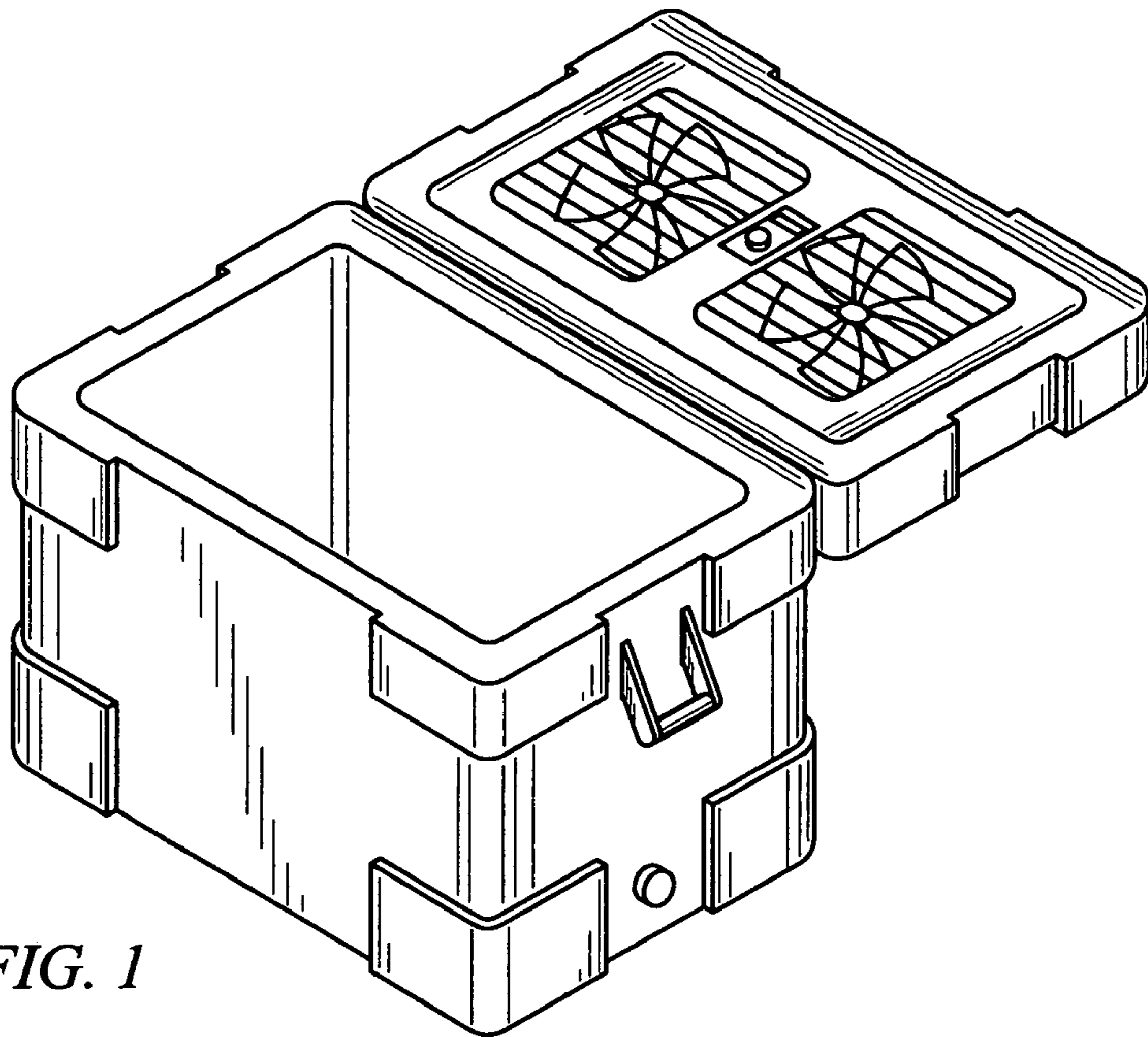
(56) **References Cited**

**U.S. PATENT DOCUMENTS**

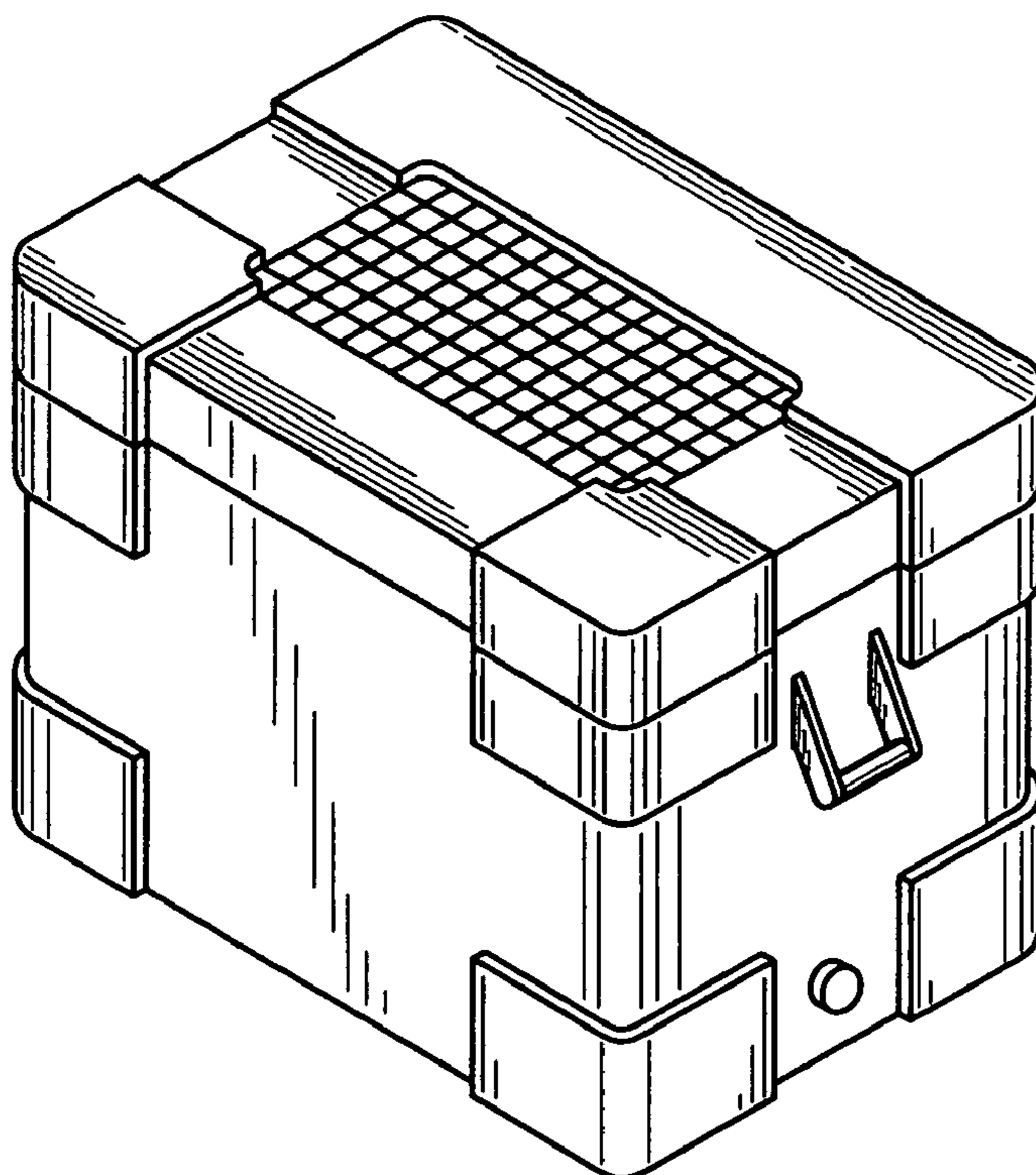
4,846,257 A 7/1989 Wallace et al.  
D350,048 S \* 8/1994 Kahl et al. .... D7/605  
6,305,185 B1 10/2001 Sloan  
D502,059 S 2/2005 Bukowski et al.  
D527,225 S \* 8/2006 Krieger et al. .... D7/605

**1 Claim, 4 Drawing Sheets**

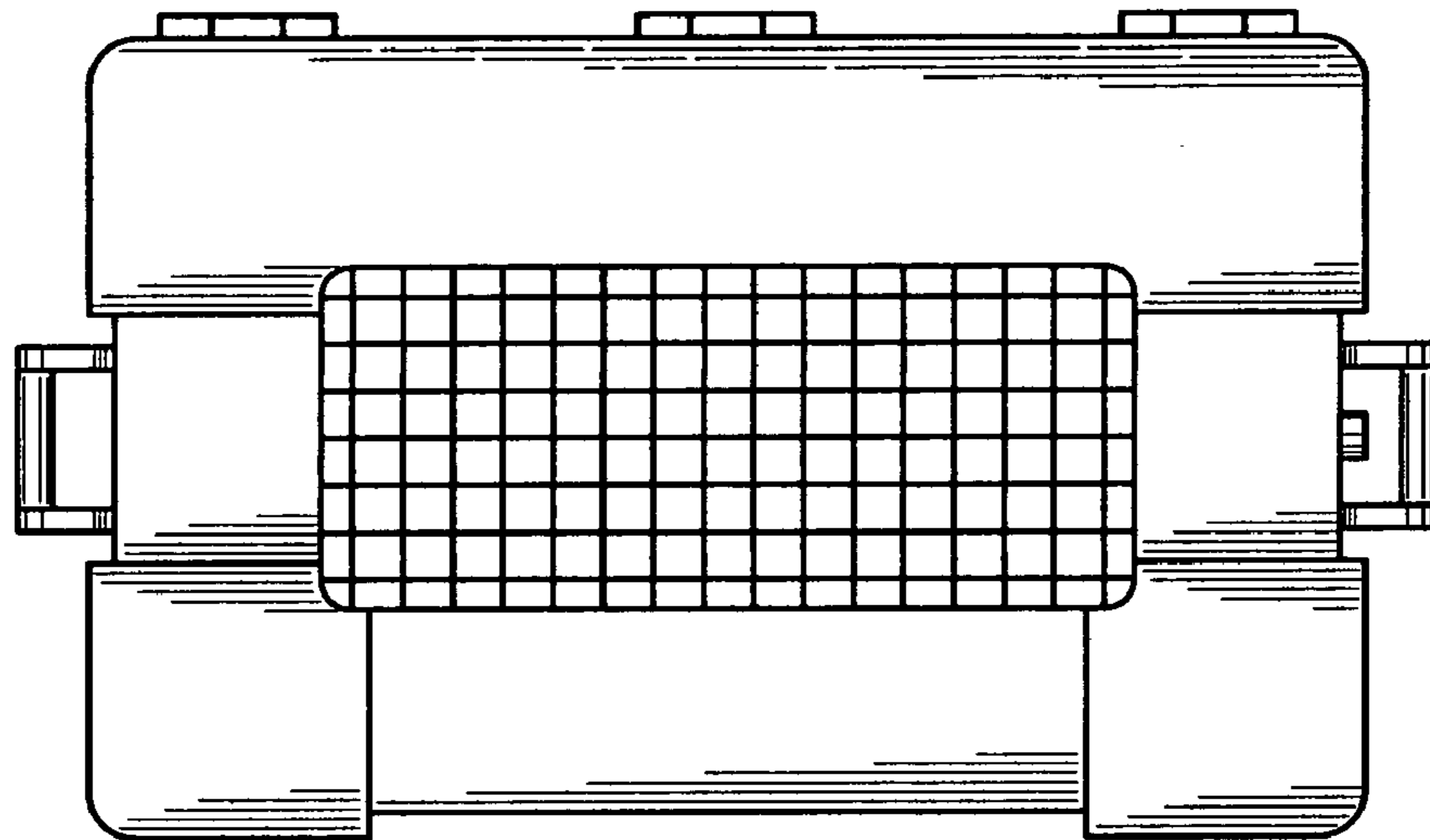




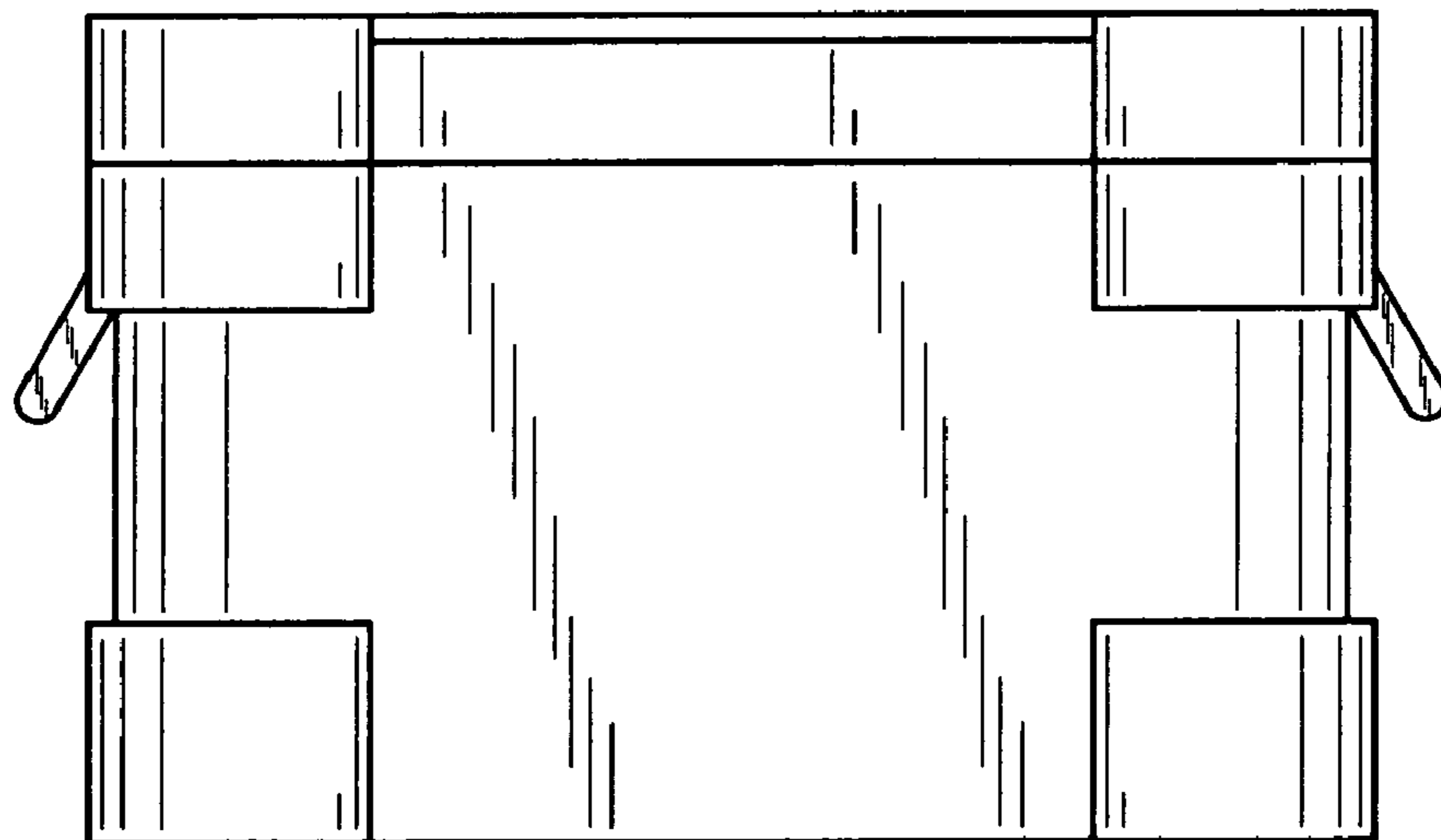
*FIG. 1*



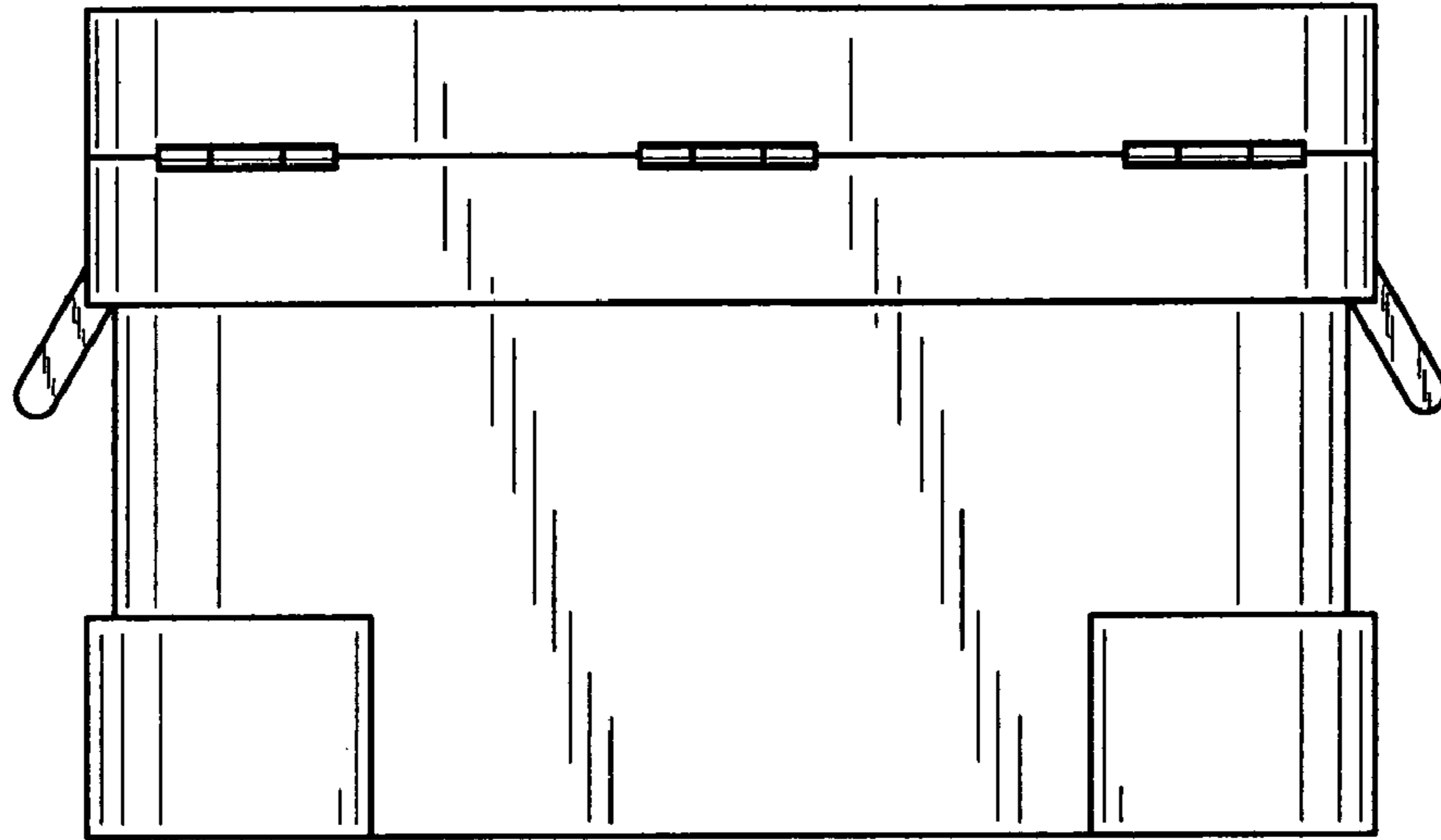
*FIG. 2*



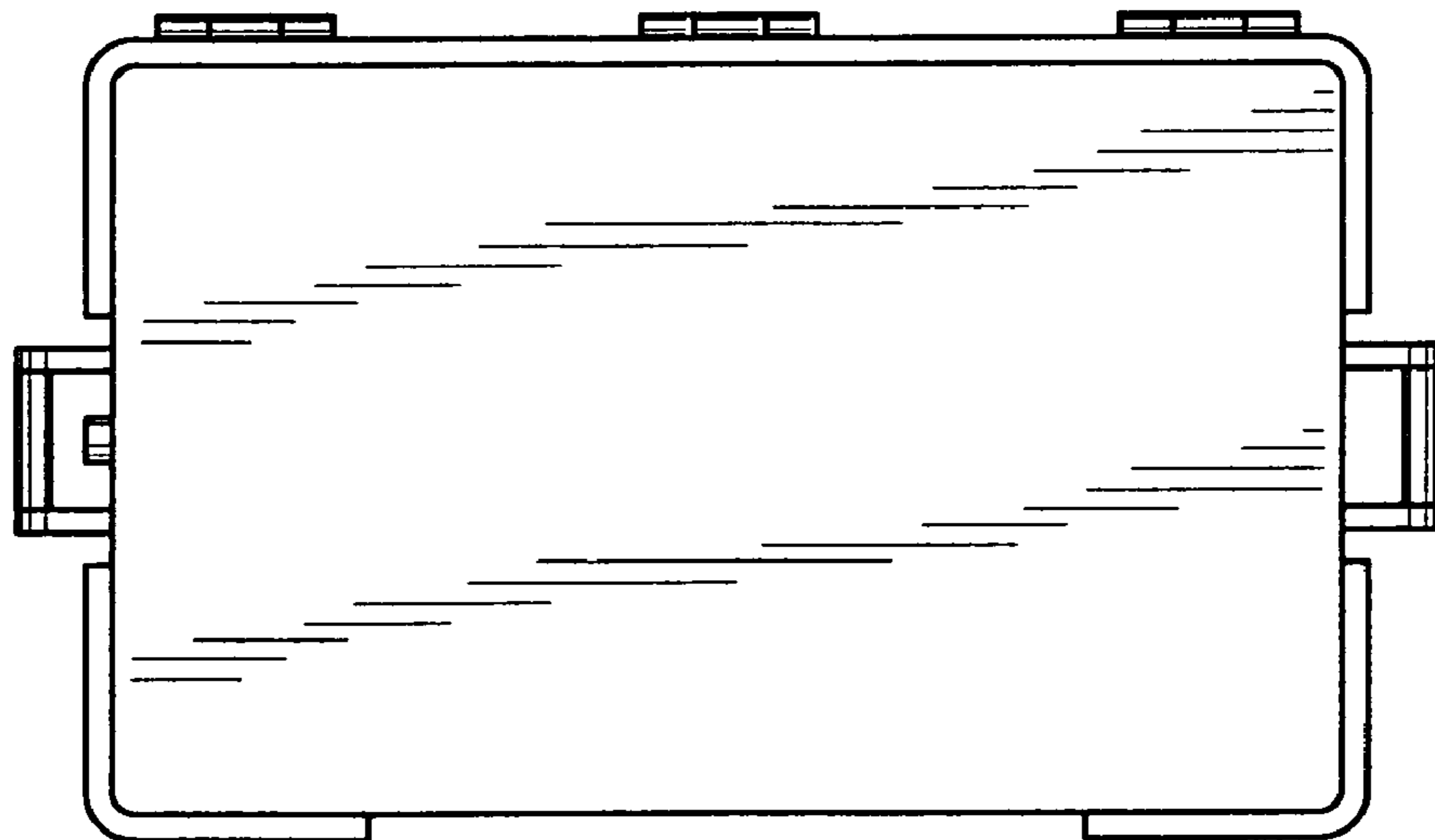
*FIG. 3*



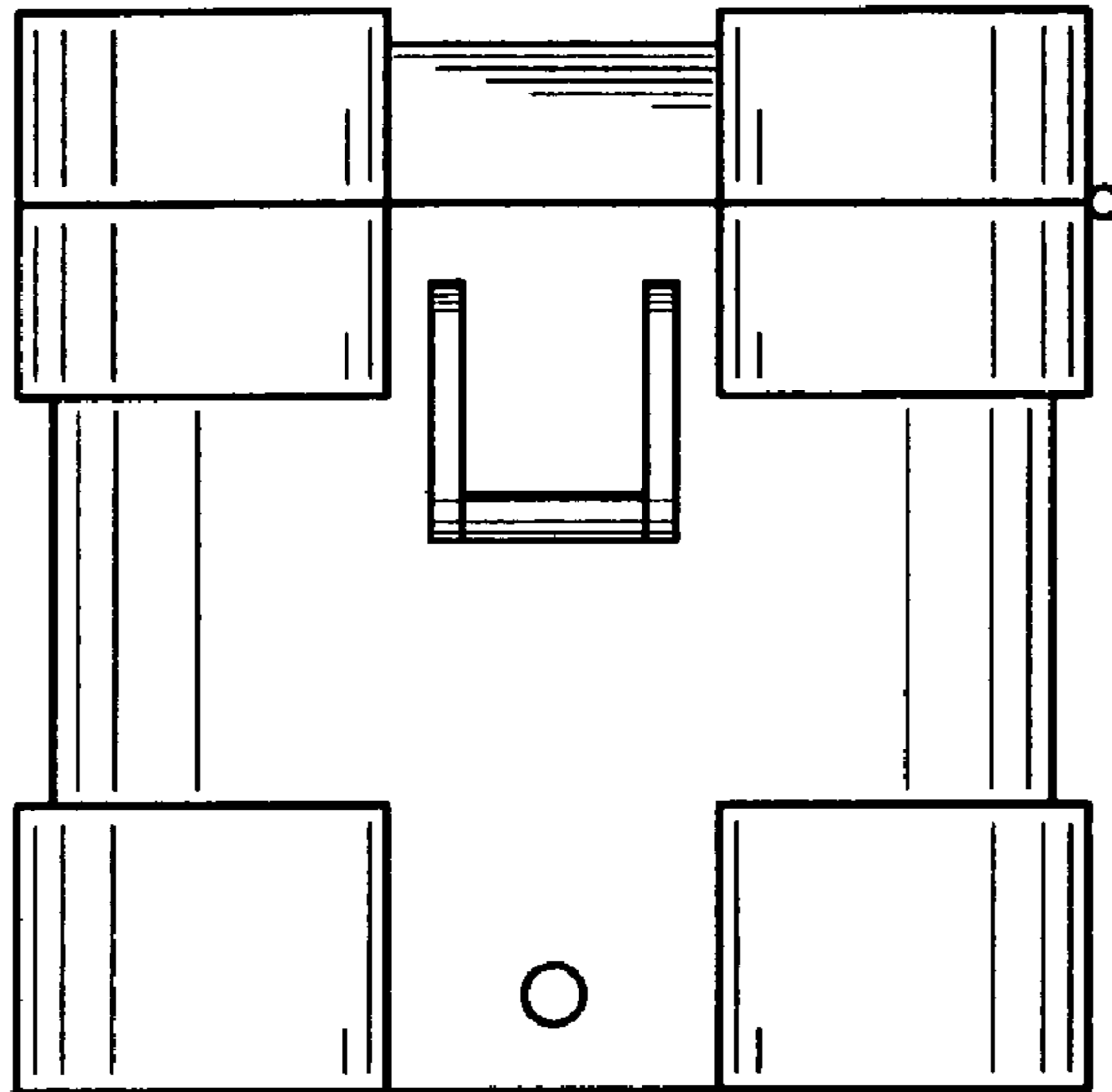
*FIG. 4*



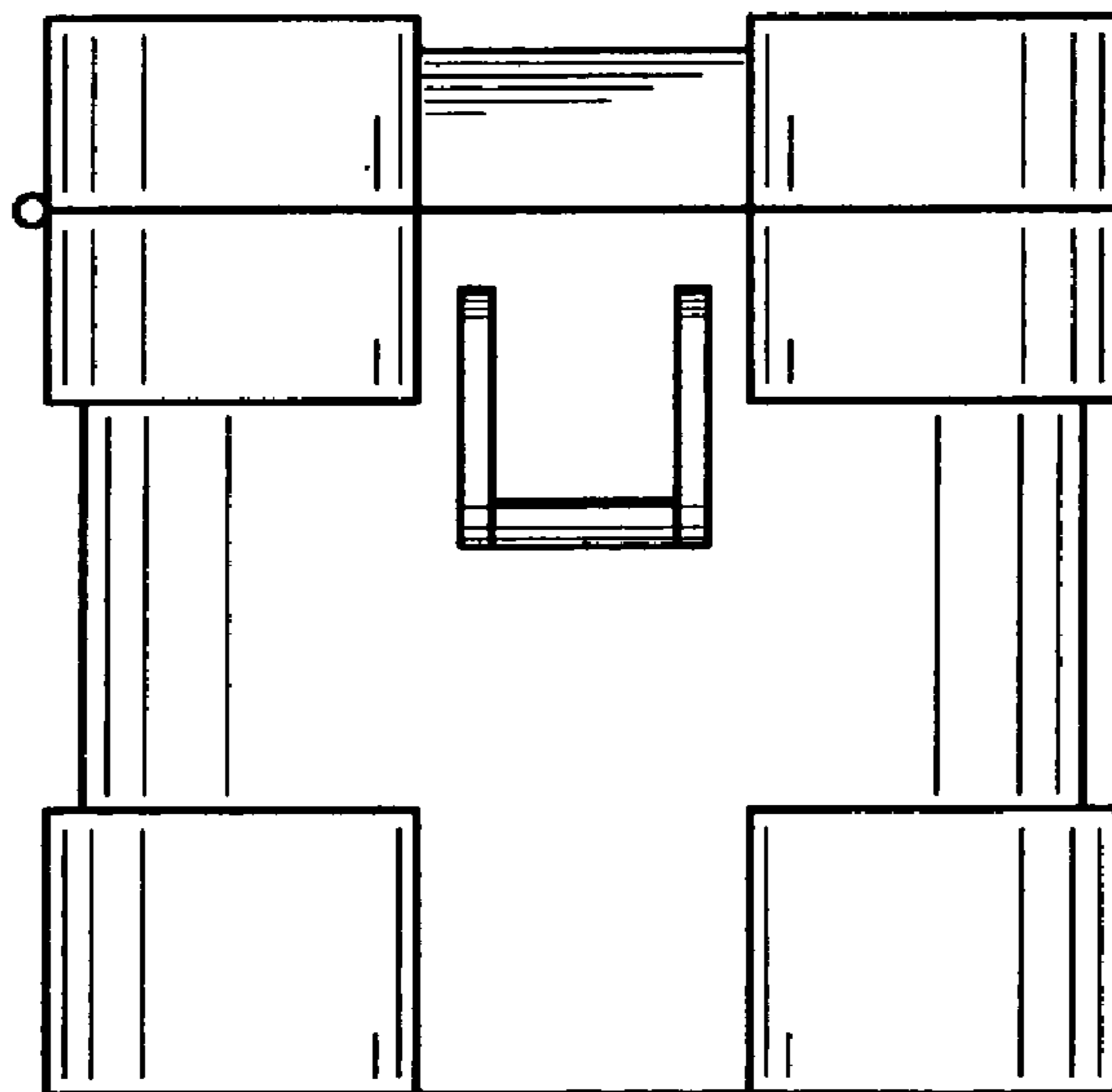
*FIG. 5*



*FIG. 6*



*FIG. 7*



*FIG. 8*