

US00D640101S

(12) **United States Design Patent**
Clark, Jr. et al.

(10) **Patent No.:** **US D640,101 S**
(45) **Date of Patent:** **** Jun. 21, 2011**

(54) **COMBINATION BAR TOOL**

(75) Inventors: **Christopher Boyhe Clark, Jr., N.**
Ferrisburg, VT (US); **Jed Crystal,**
Burlington, VT (US); **Timothy Peery,**
Plantation, FL (US)

(73) Assignee: **Bartool, LLC,** North Ferrisburgh, VT
(US)

(**) Term: **14 Years**

(21) Appl. No.: **29/308,376**

(22) Filed: **Jun. 14, 2008**

(51) **LOC (9) Cl.** **07-01**

(52) **U.S. Cl.** **D7/601; D7/603; D7/665; D8/43;**
D10/46.2

(58) **Field of Classification Search** D7/213,
D7/300, 300.1, 305, 310-312, 316-317, 368,
D7/387, 391, 401.1, 505, 507, 589, 665, 678,
D7/601-603, 605, 629-630, 637-638; D3/202;
D8/14, 33-34, 38, 40-43; D10/46.2; D9/905;
206/219, 223, 568, 576, 553, 372-373

See application file for complete search history.

(56) **References Cited**

U.S. PATENT DOCUMENTS

1,568,691	A *	1/1926	Pierson	99/508
1,748,483	A *	2/1930	Hyde	99/508
D124,223	S *	12/1940	Neal	D8/42
D213,430	S *	3/1969	Kneapler	D9/452
D240,115	S *	6/1976	Lansdale et al.	D9/504
4,116,355	A *	9/1978	Munn et al.	220/574
4,341,316	A *	7/1982	Bunge	215/13.1
D279,157	S *	6/1985	Gecchelin	D7/665
D307,090	S *	4/1990	DeCoster	D7/665
D322,911	S *	1/1992	Schmengler	D7/359
D408,738	S *	4/1999	Wu	D9/503
D430,469	S *	9/2000	Thuma	D8/42
D437,188	S *	2/2001	Thackray	D7/665
D456,227	S *	4/2002	Tse	D8/33
D465,386	S *	11/2002	Wang et al.	D7/665
D466,381	S *	12/2002	Joseph	D8/18

D475,262 S * 6/2003 Hsieh D8/42
D480,285 S * 10/2003 Kehoe D8/42
D514,387 S * 2/2006 Rockwell, Jr. D7/524

* cited by examiner

Primary Examiner — Terry Wallace

Assistant Examiner — Dana L Sipos

(74) *Attorney, Agent, or Firm* — James Marc Leas

(57) **CLAIM**

The ornamental design for a combination bar tool, as shown and described.

DESCRIPTION

FIG. 1 is a top, front, right side perspective view of a combination bar tool of the present invention, consisting of a stirring spoon, bottle opener, cork screw, measuring cup, squeezer and ice bucket with lid;

FIG. 2 is a front elevation view thereof;

FIG. 3 is a top plan view thereof;

FIG. 4 is a cross-section view taken along the line 4-4 in FIG. 2;

FIG. 5 is a top, rear right side perspective view of the stirring spoon, bottle opener, and cork screw portion of the combination bar tool of FIG. 1;

FIG. 6 is a right side elevation view thereof

FIG. 7 is a front elevation view thereof;

FIG. 8 is a top plan view thereof;

FIG. 9 is a cross-section view taken along the line 9-9 in FIG. 7;

FIG. 10 is a top, front, right side perspective view of the stirring spoon, bottle opener, cork screw portion combined with the measuring cup and squeezer portions of the combination bar tool of FIG. 1;

FIG. 11 is a front elevation view thereof;

FIG. 12 is a top plan view thereof;

FIG. 13 is an exploded top, front, left side perspective view thereof;

FIG. 14 is a cross-section view taken along the line 14-14 in FIG. 11;

FIG. 15 is a top, rear, left side perspective view of the measuring cup portion of the combination bar tool of FIG. 1;

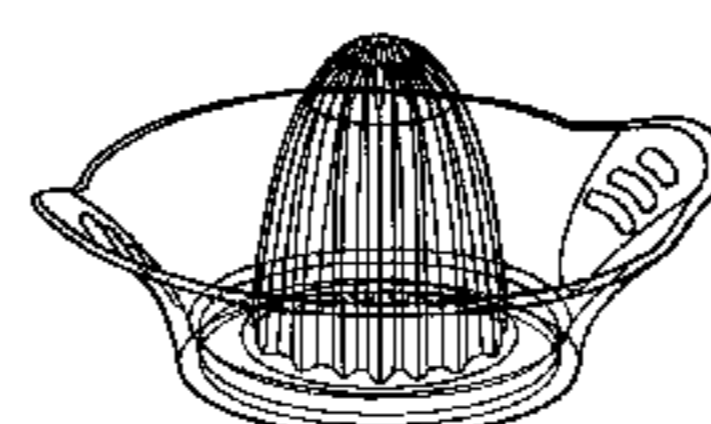
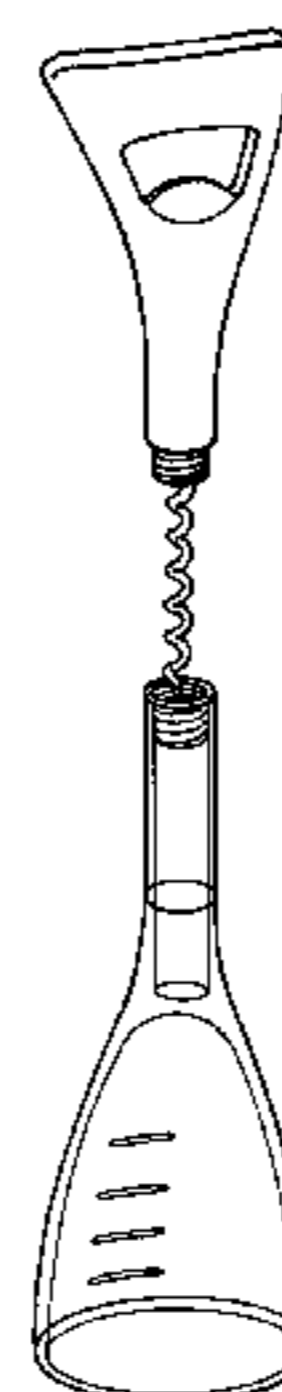
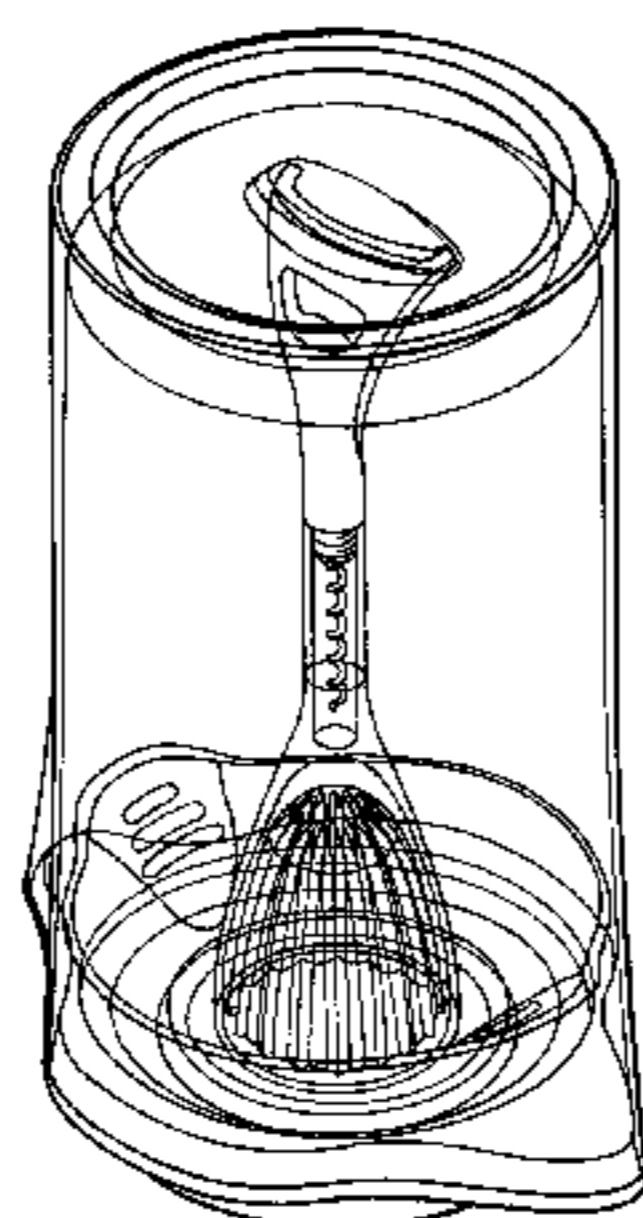


FIG. 16 is a bottom front left side perspective view thereof;

FIG. 17 is a front elevation view thereof;

FIG. 18 is a bottom plan view thereof;

FIG. 19 is a cross-section view taken along the line 19-19 in FIG. 17;

FIG. 20 is a top, side perspective view of the squeezer portion of the combination bar tool of FIG. 1;

FIG. 21 is a front elevation view thereof, the rear elevation view being identical;

FIG. 22 is a top plan view thereof;

FIG. 23 is a cross-section view taken along the line 23-23 in FIG. 21;

FIG. 24 is a top perspective view of the ice bucket and lid portion of the combination bar tool of FIG. 1;

FIG. 25 is a front elevation view thereof;

FIG. 26 is a side elevation view thereof, the opposing side elevation view being a mirror image; and,

FIG. 27 is a top plan view.

1 Claim, 13 Drawing Sheets

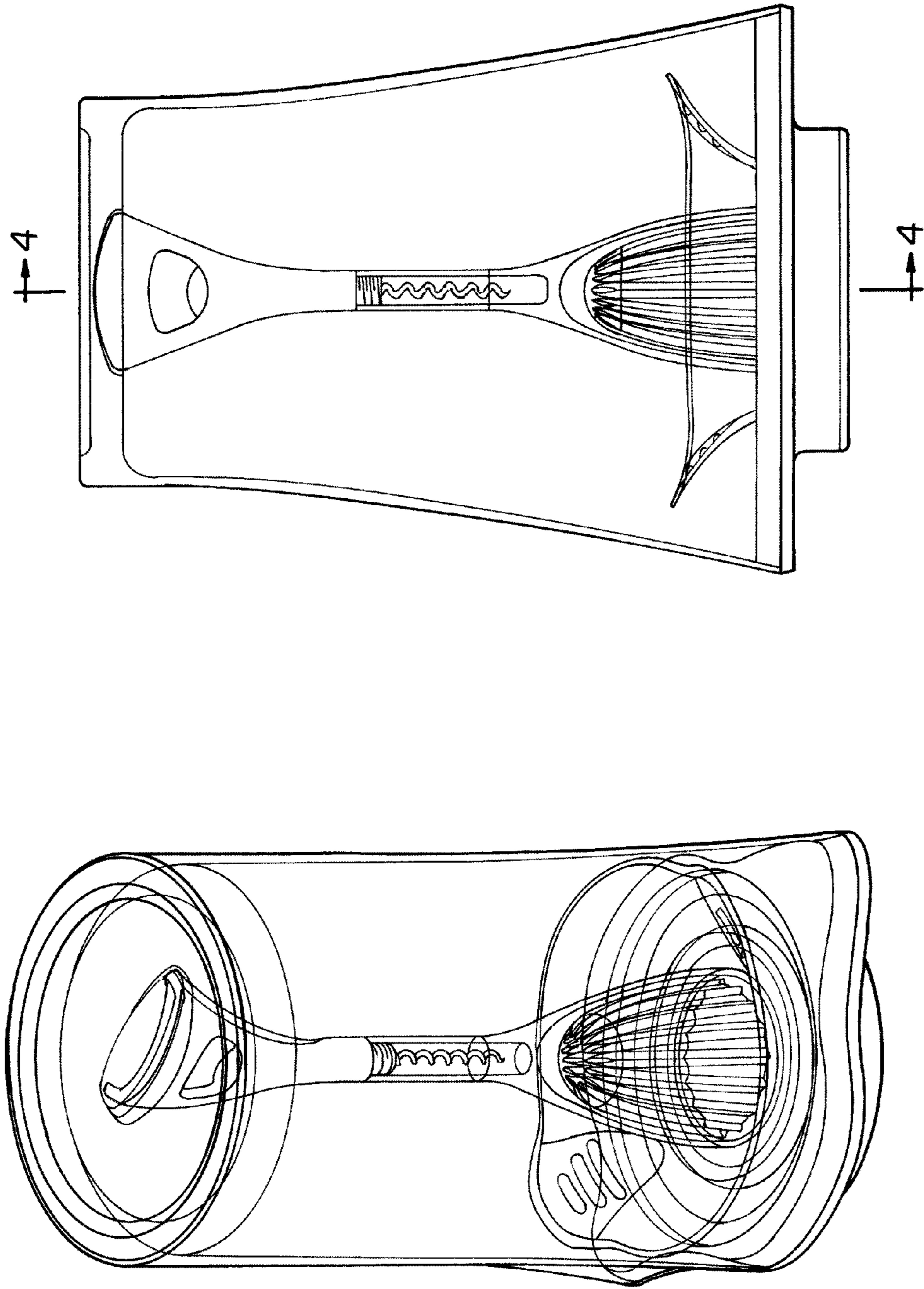


Fig. 1

Fig. 2

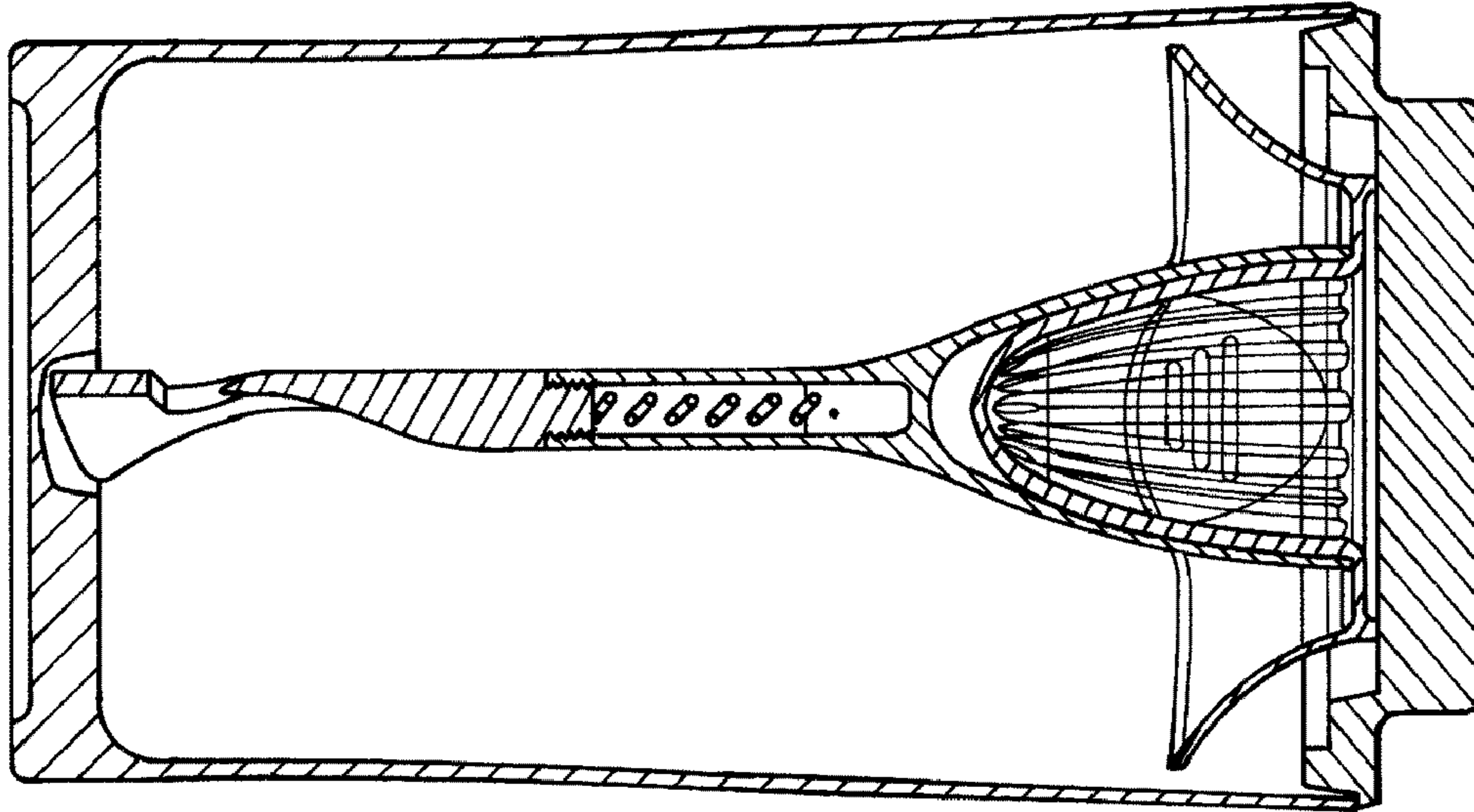


Fig. 4

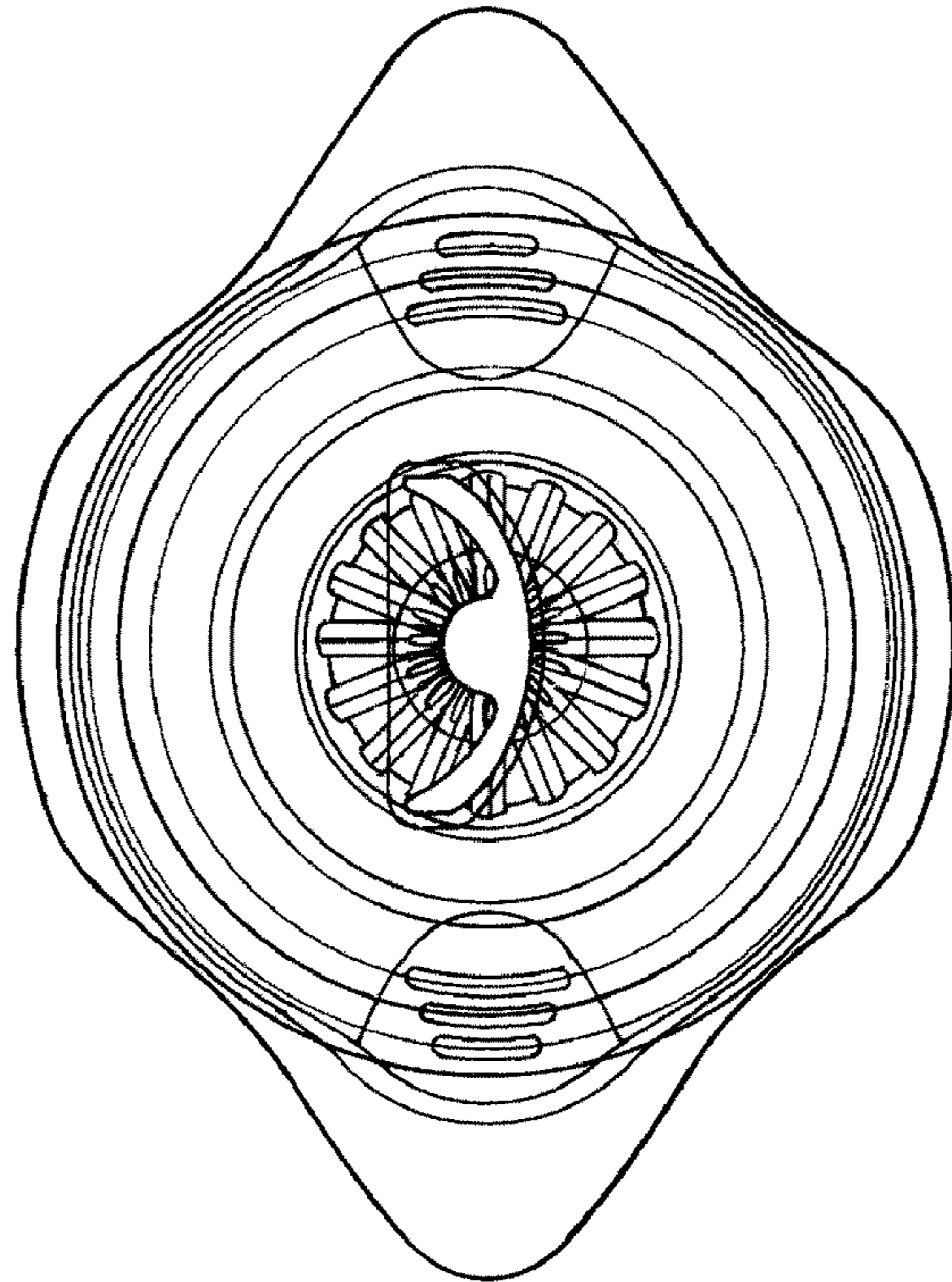


Fig. 3

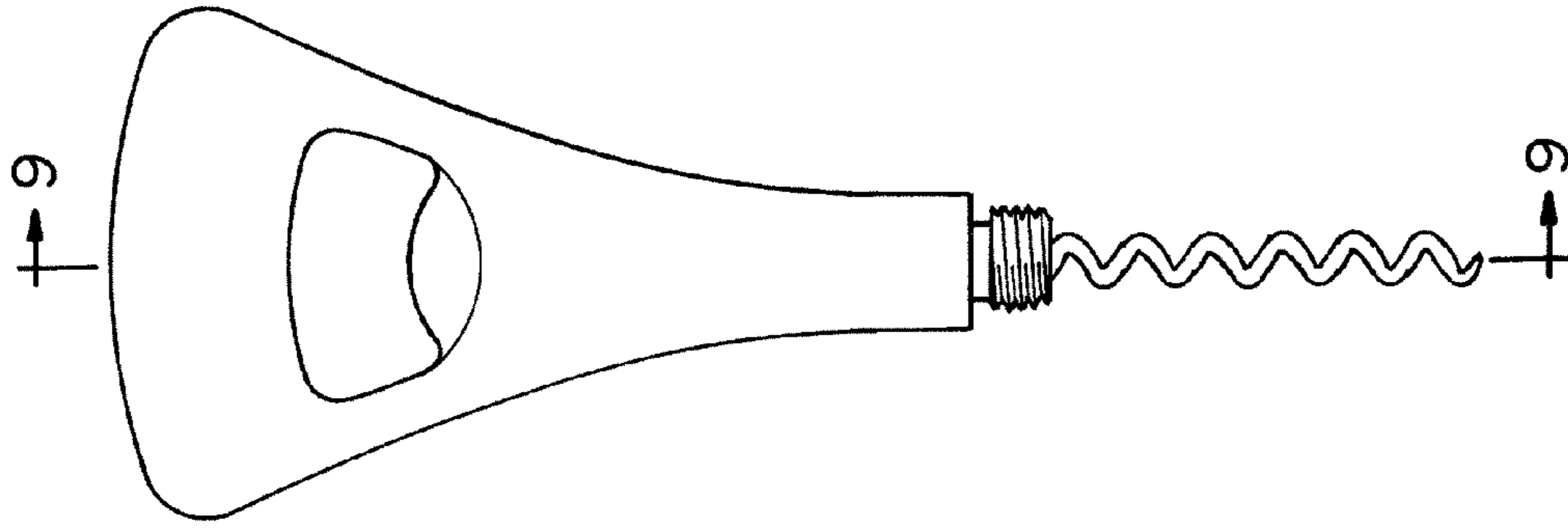


Fig. 7

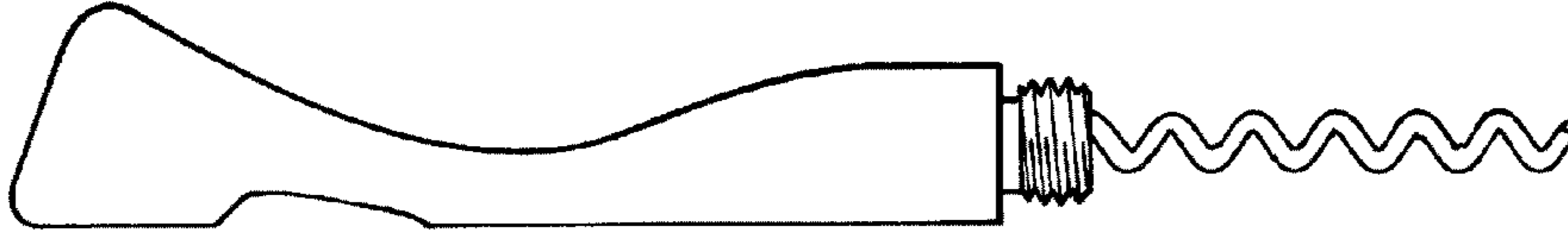


Fig. 6

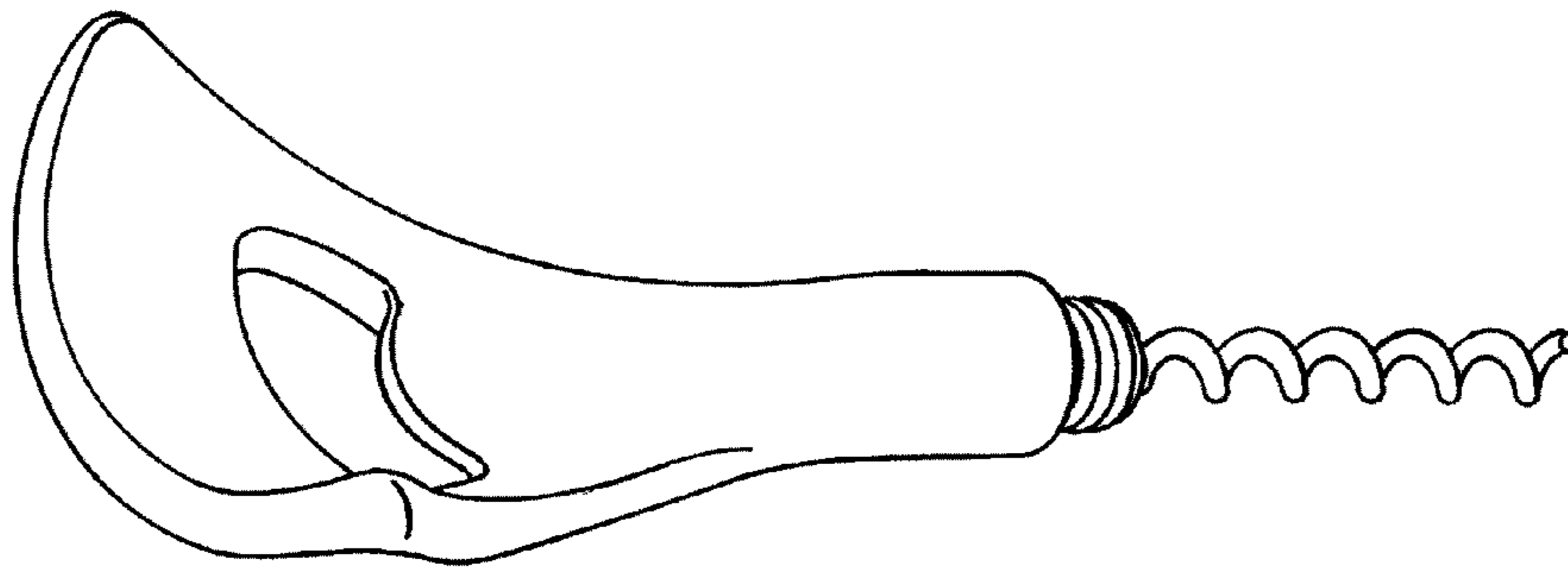


Fig. 5

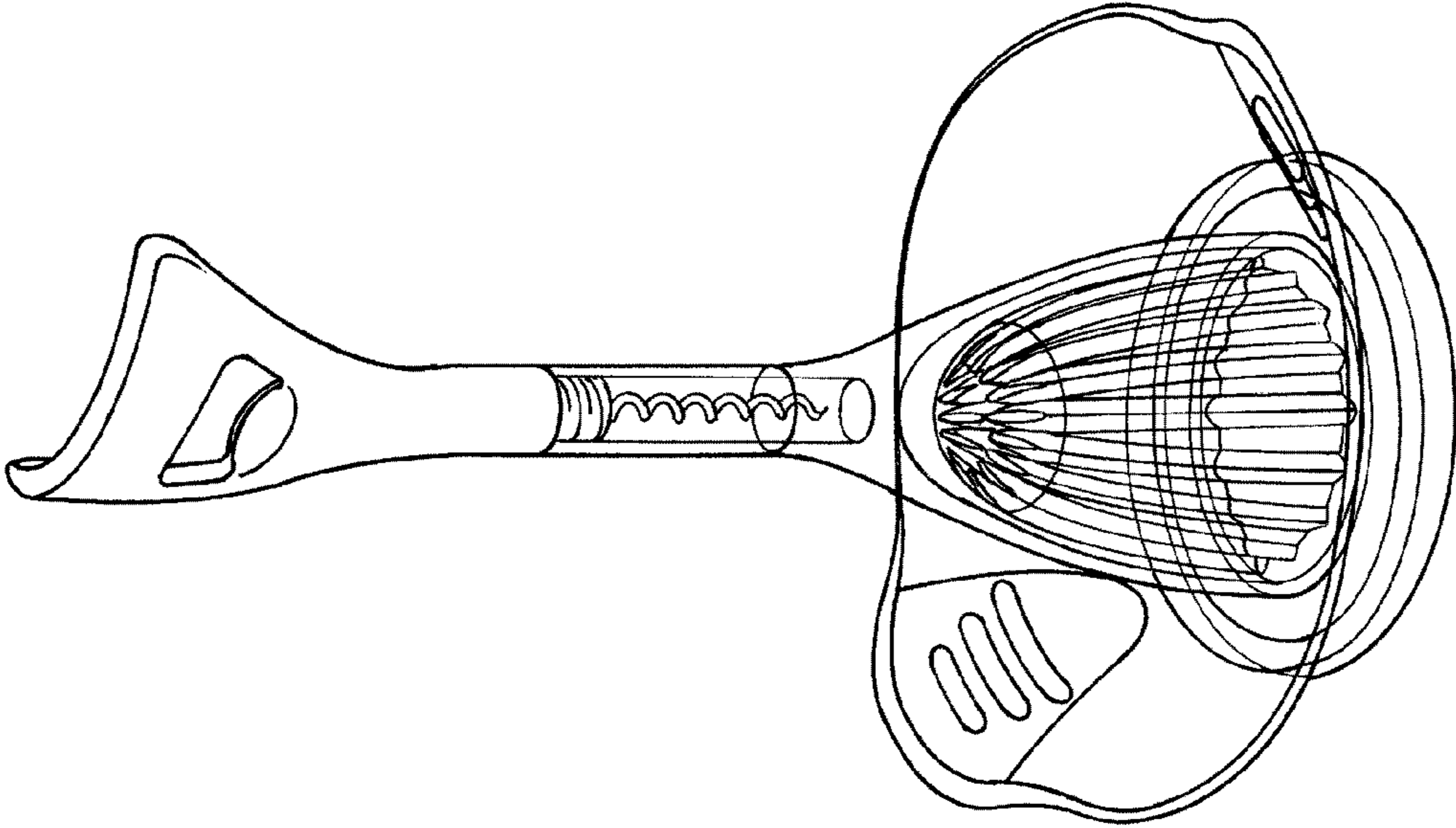


Fig. 10

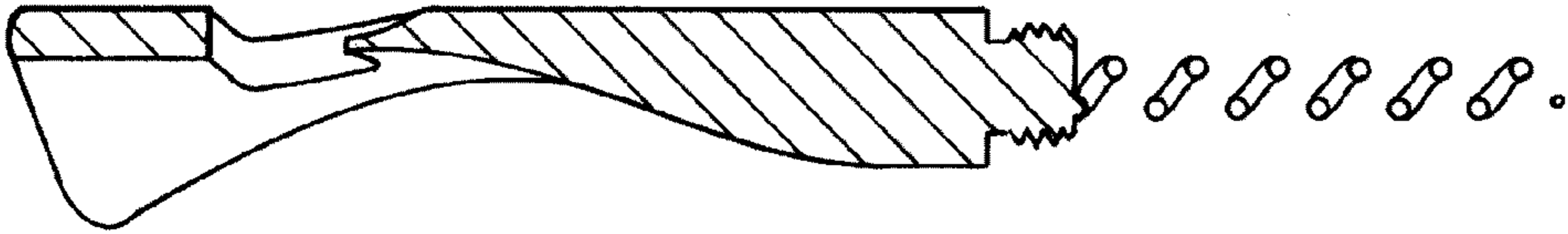


Fig. 9



Fig. 8

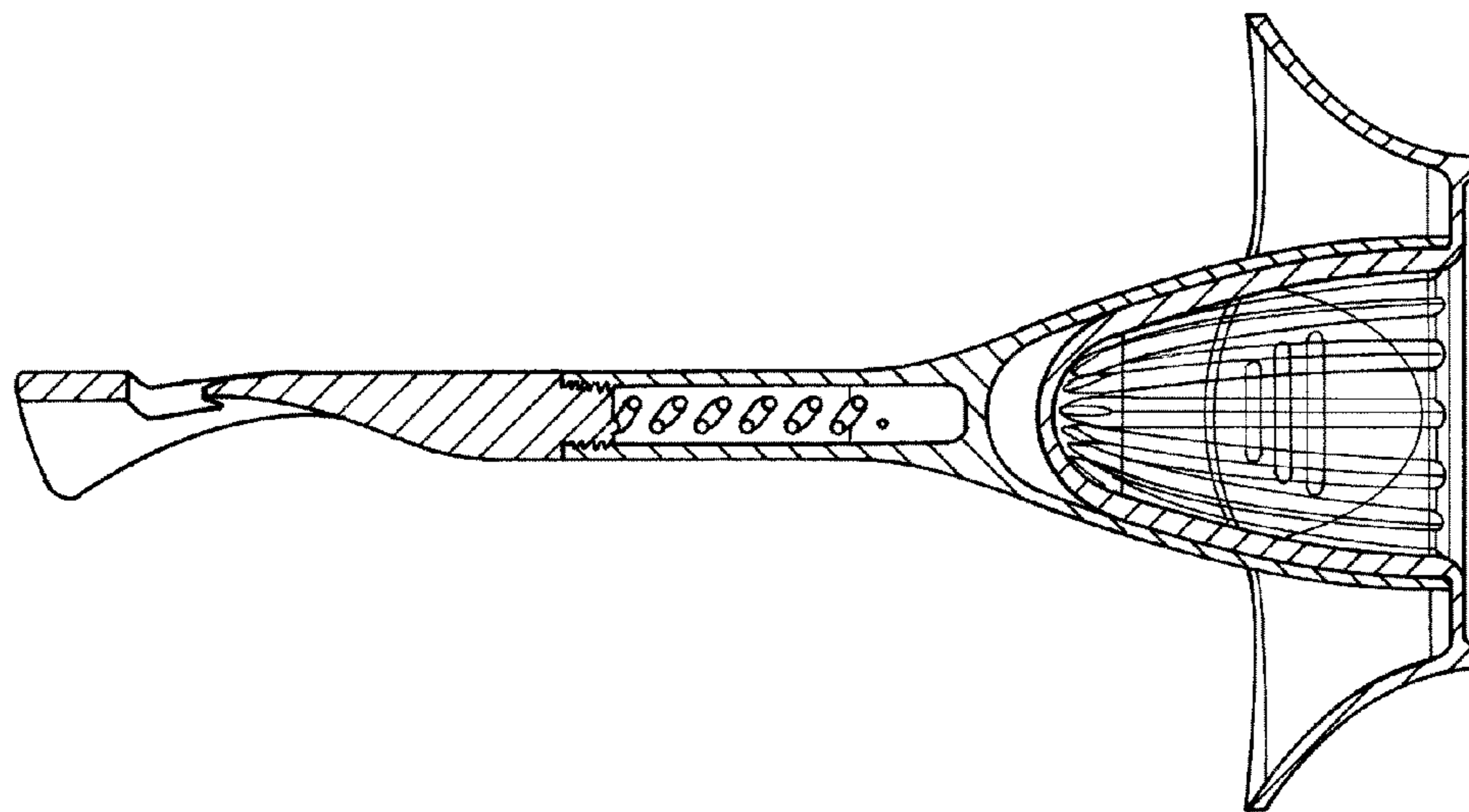


Fig. 14

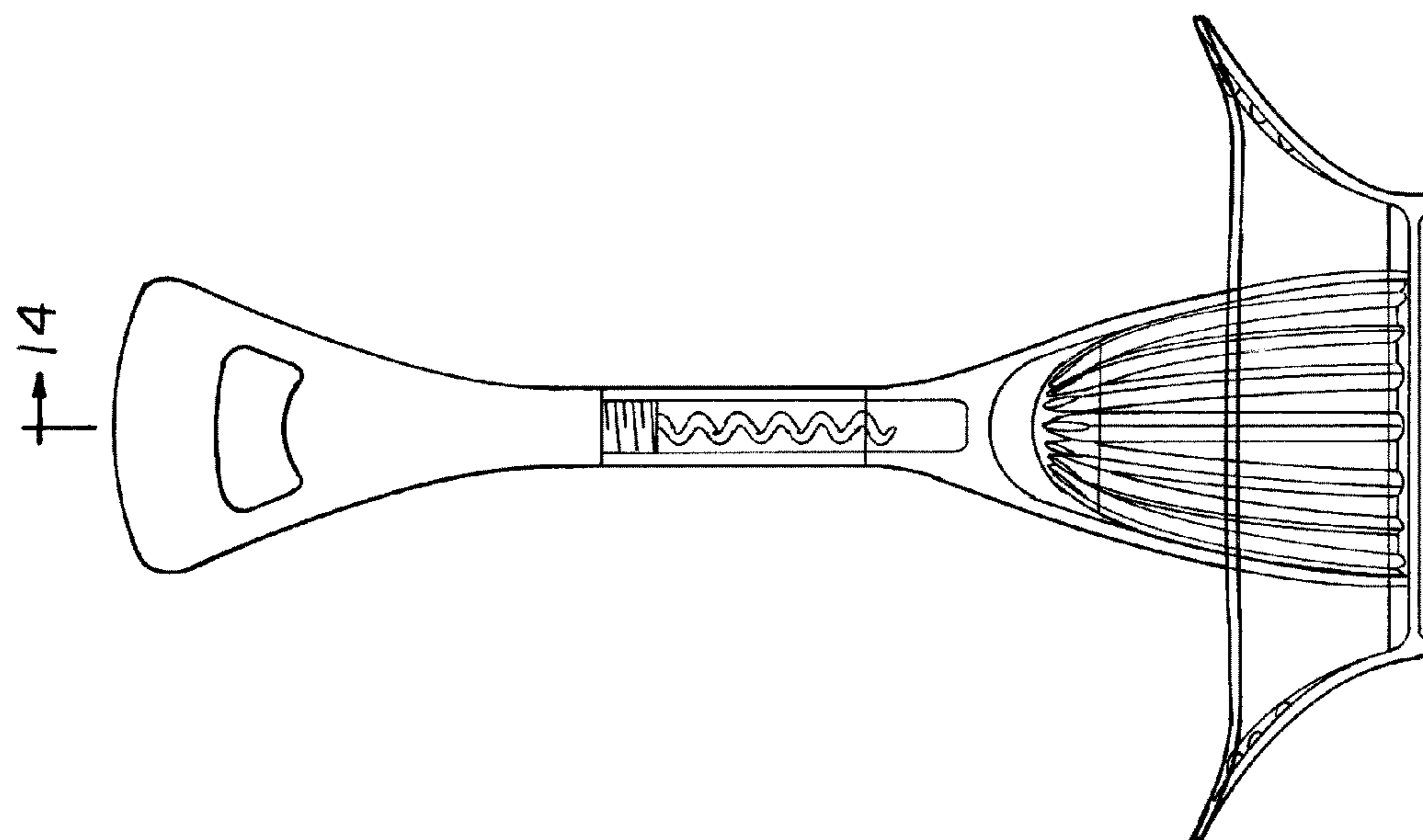


Fig. 11

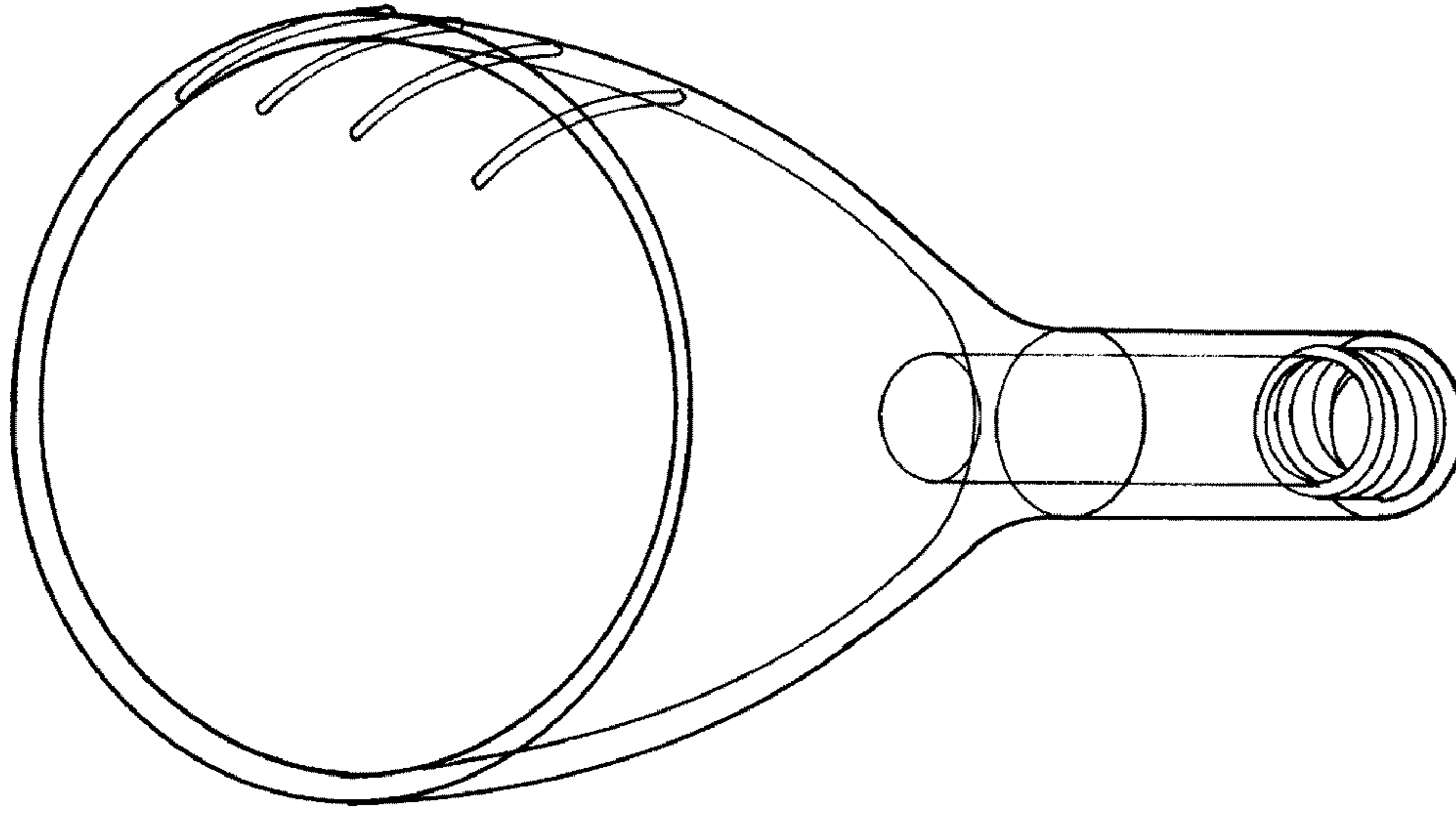


Fig. 15

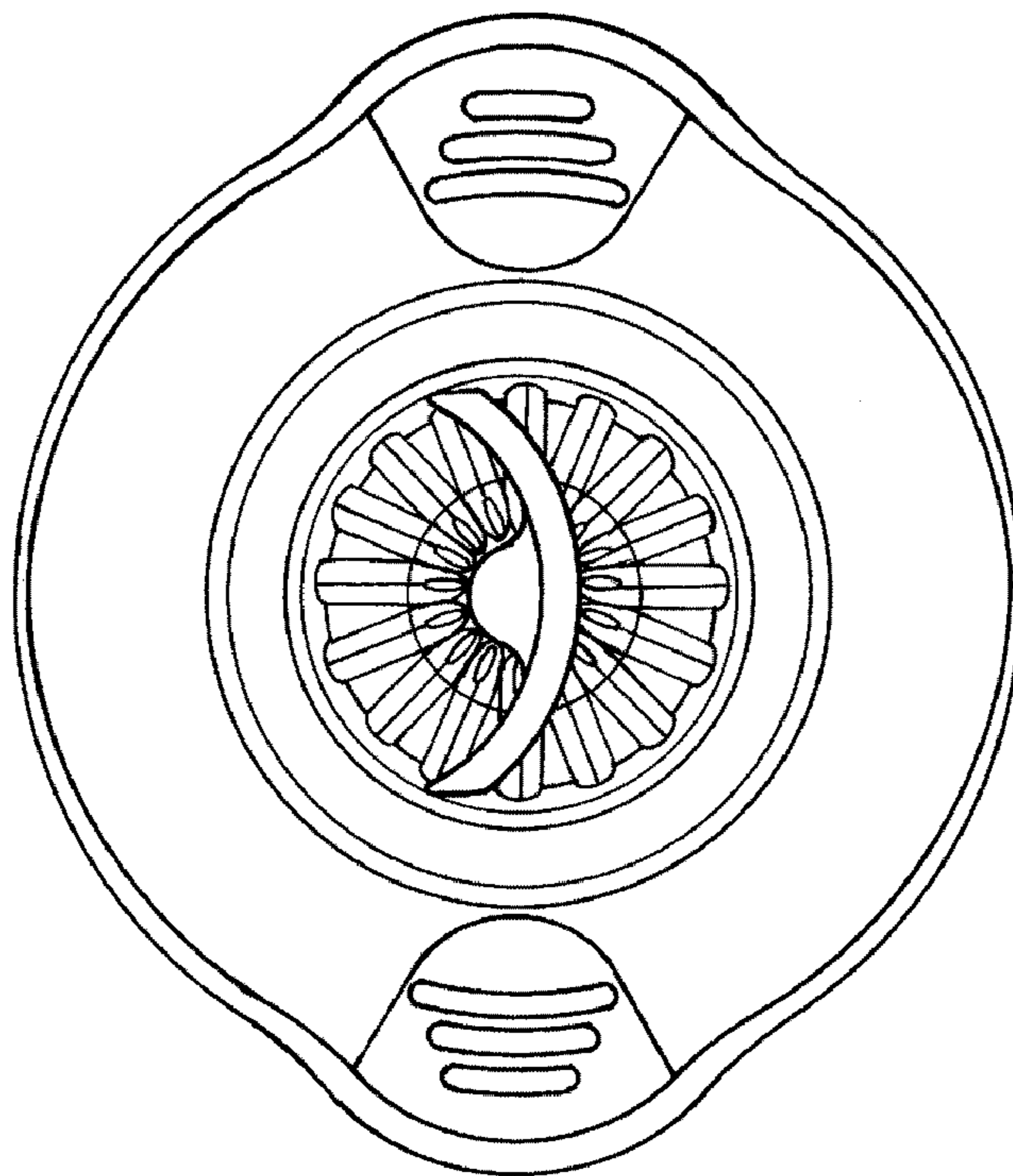


Fig. 12

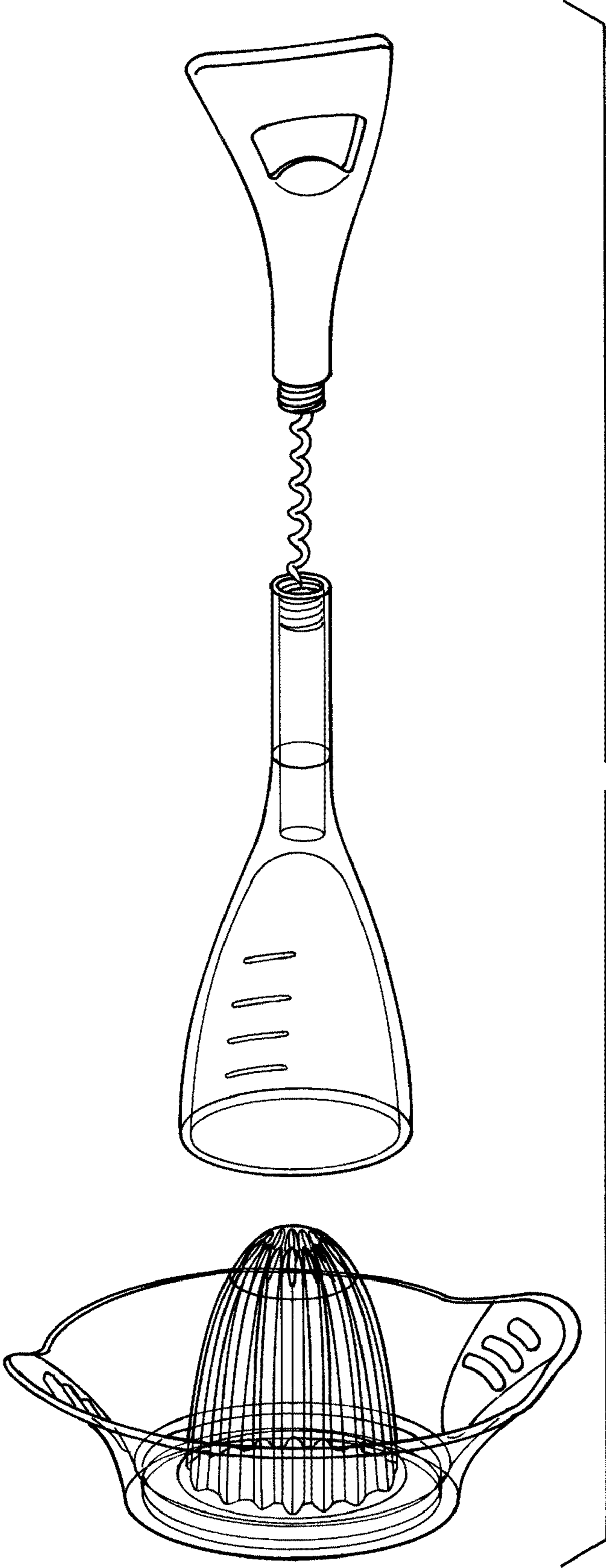


Fig. 13

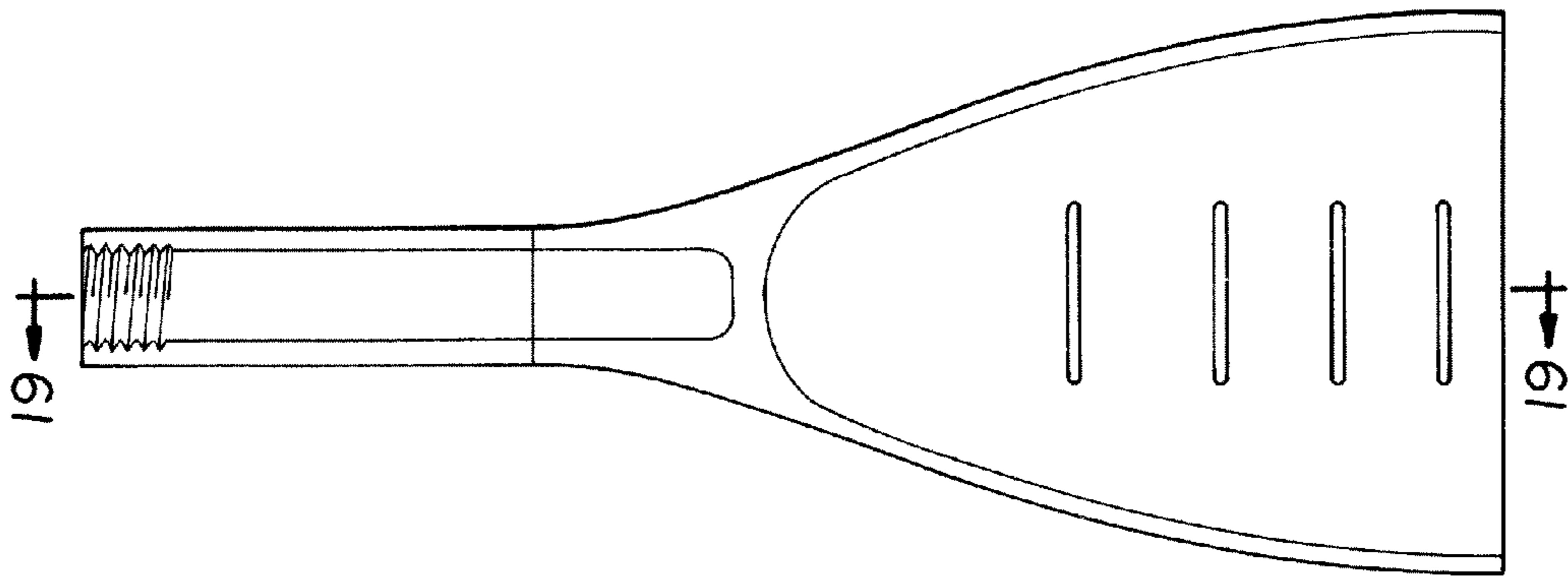


Fig. 17

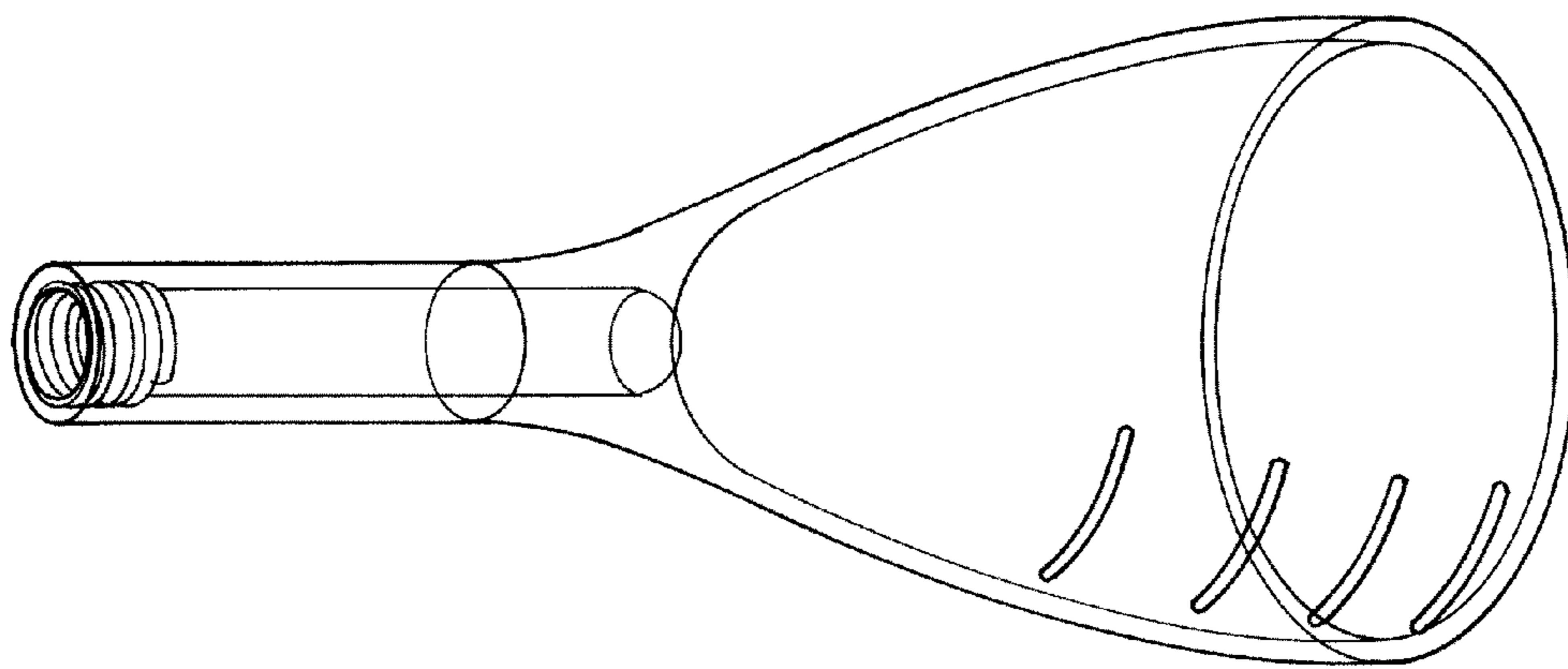


Fig. 16

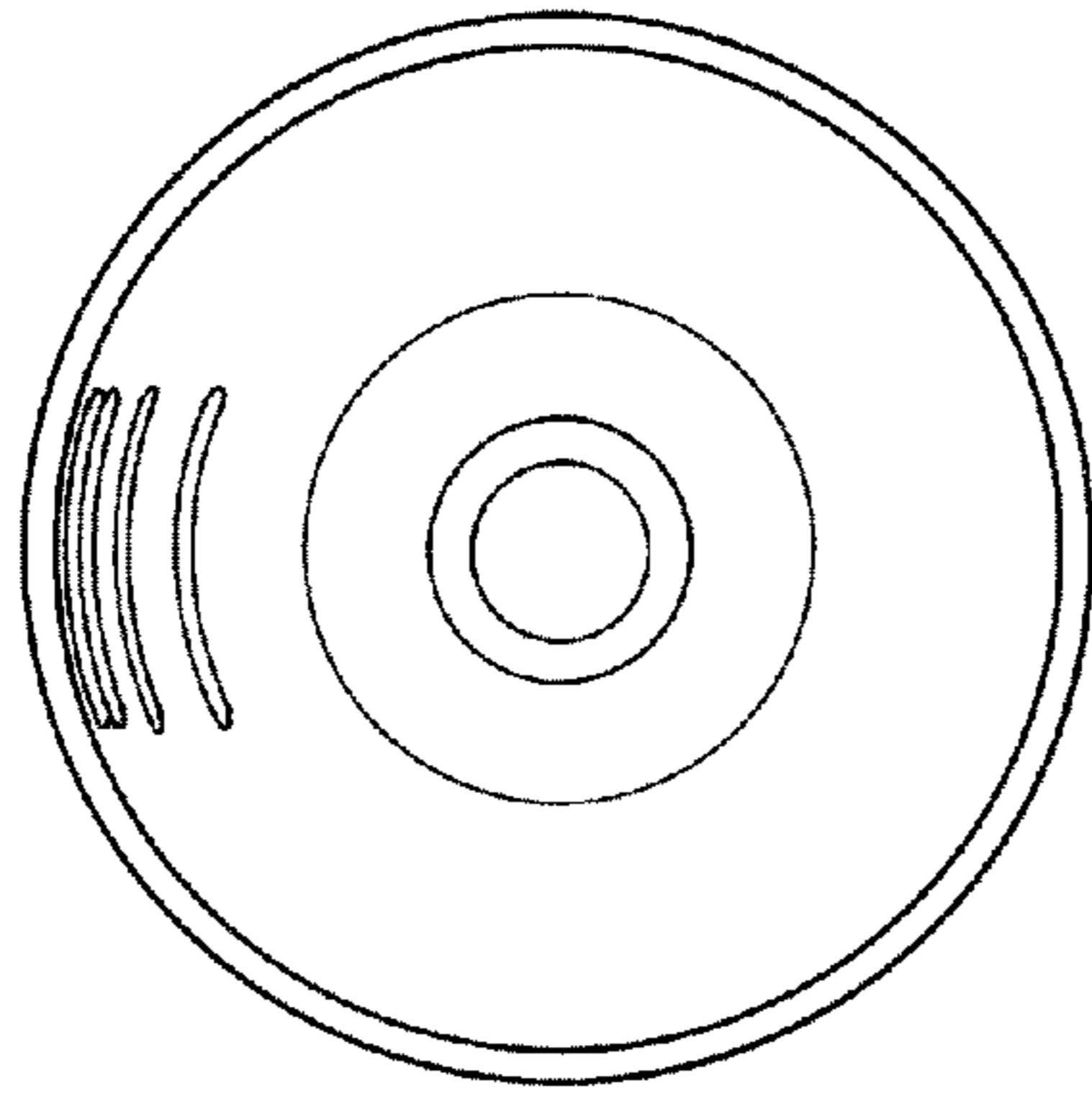


Fig. 18

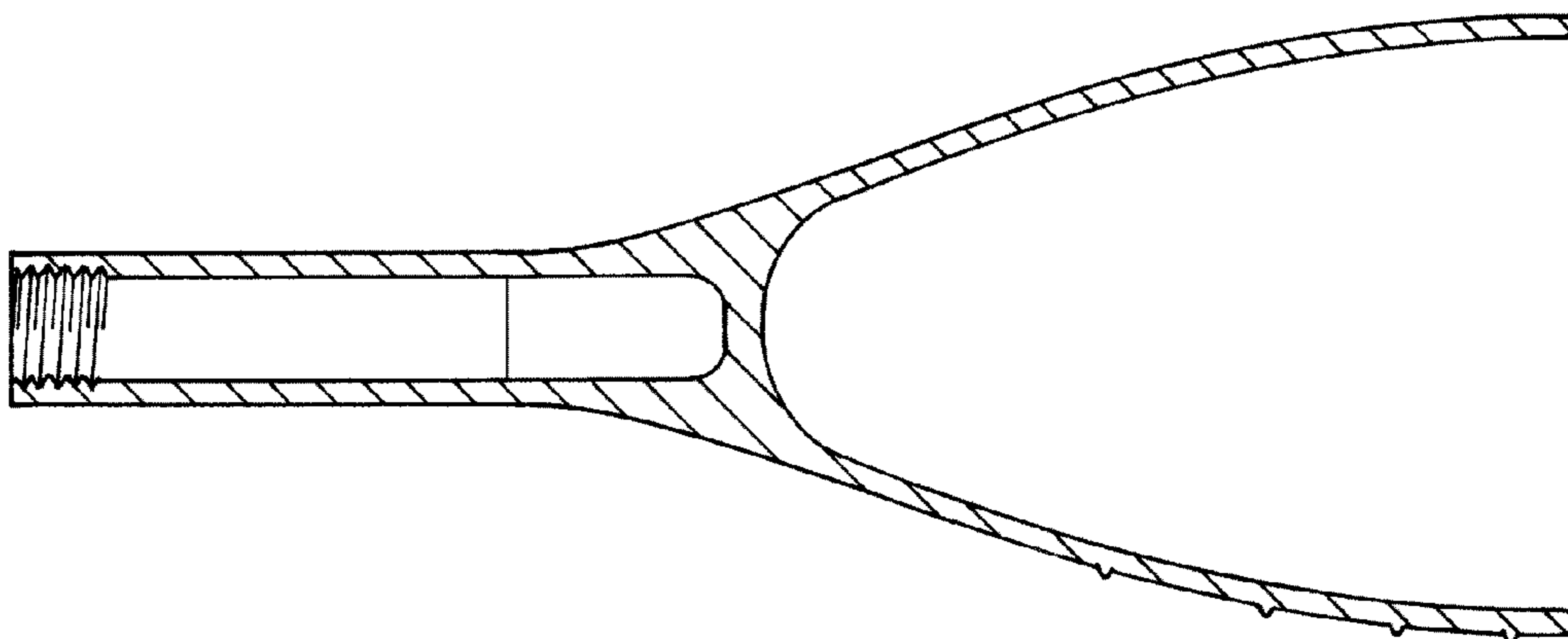


Fig. 19

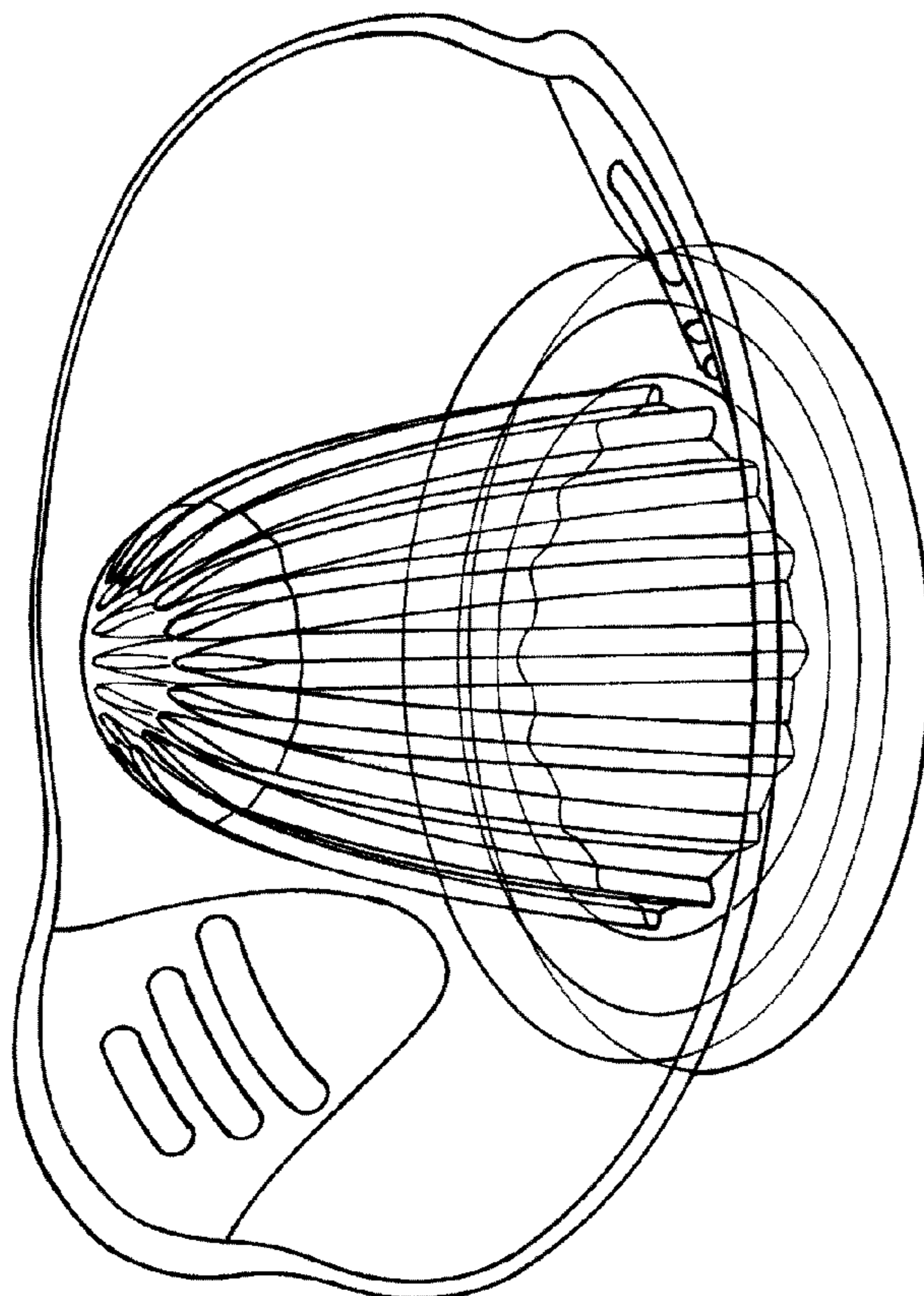
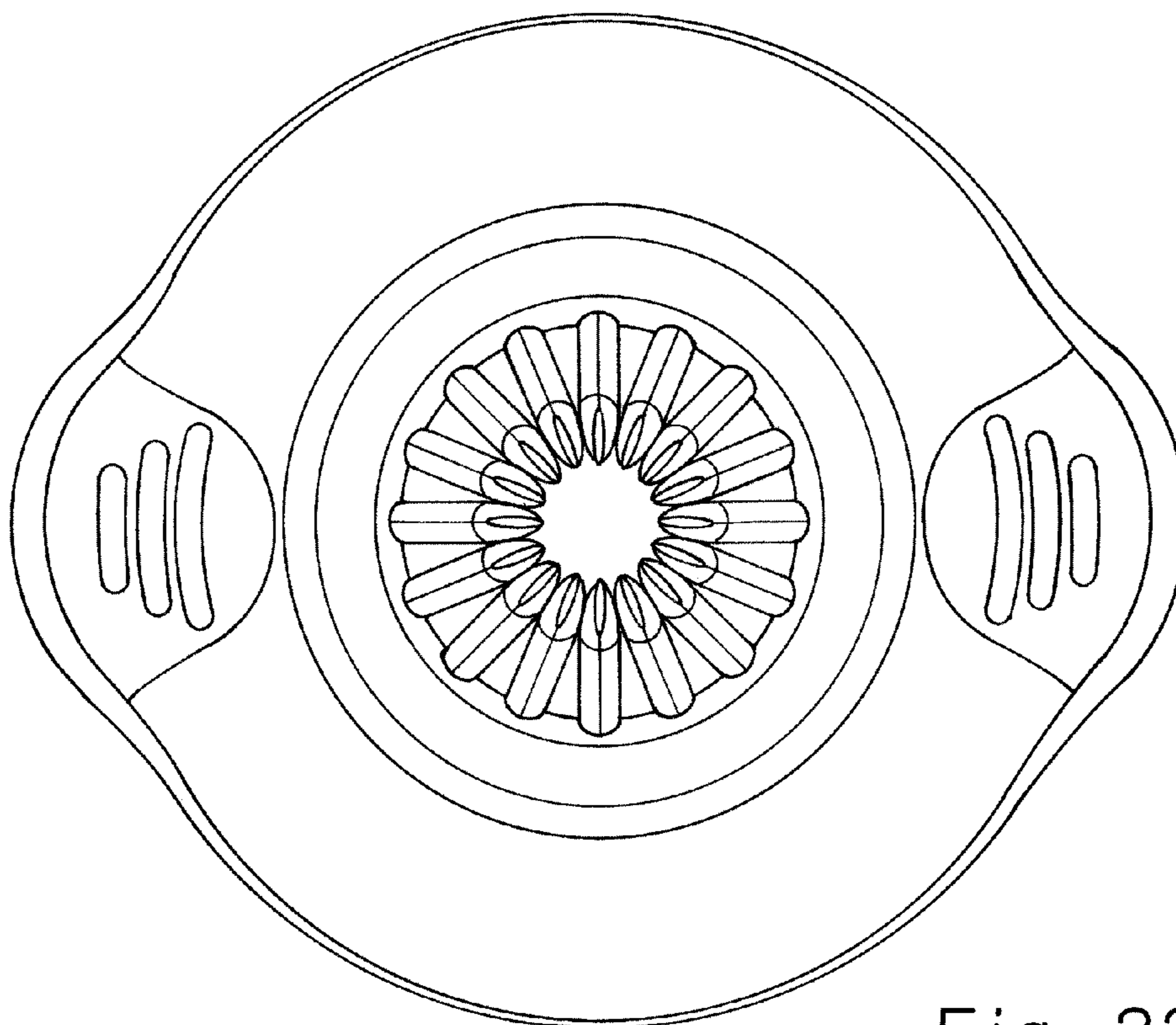
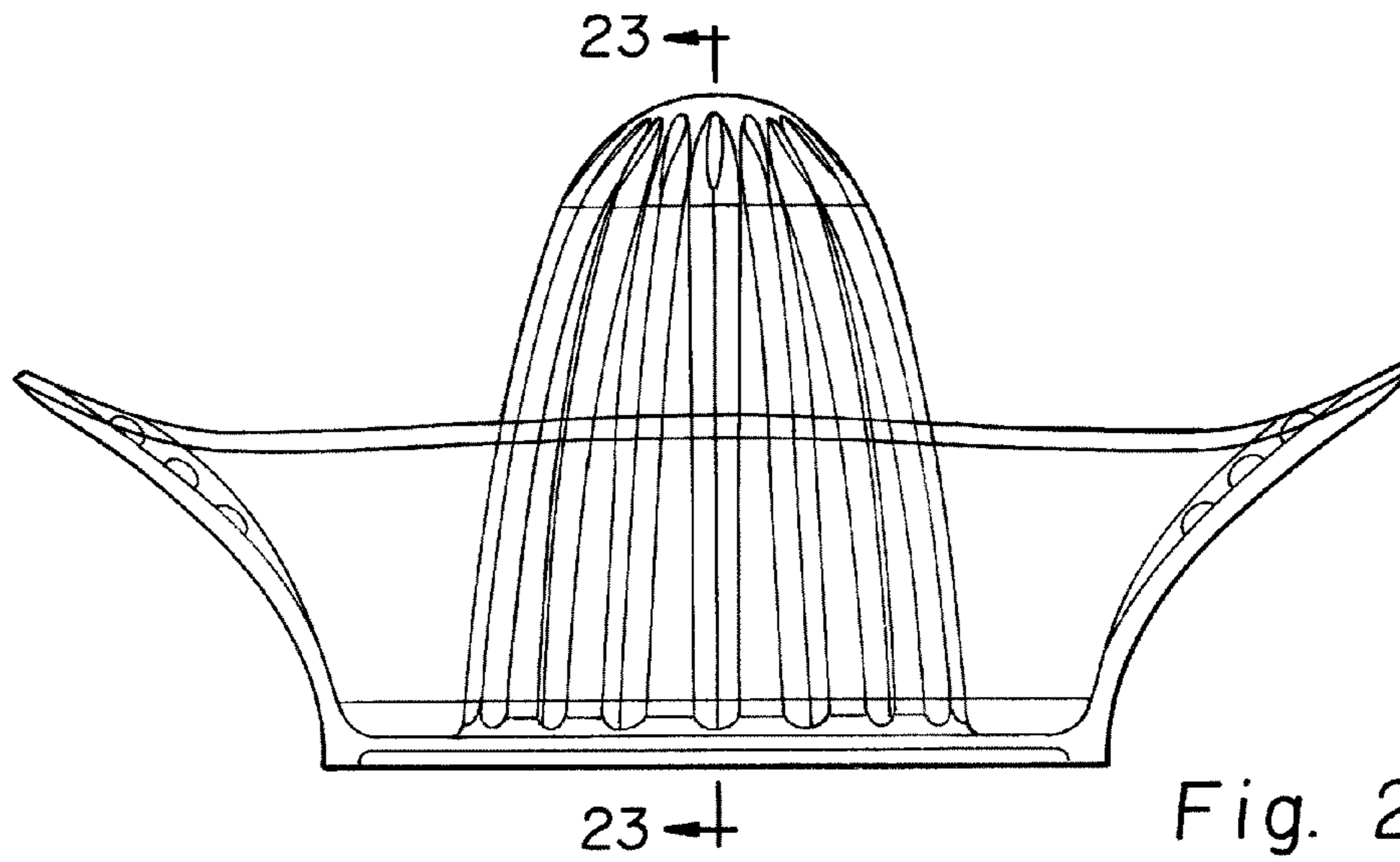


Fig. 20



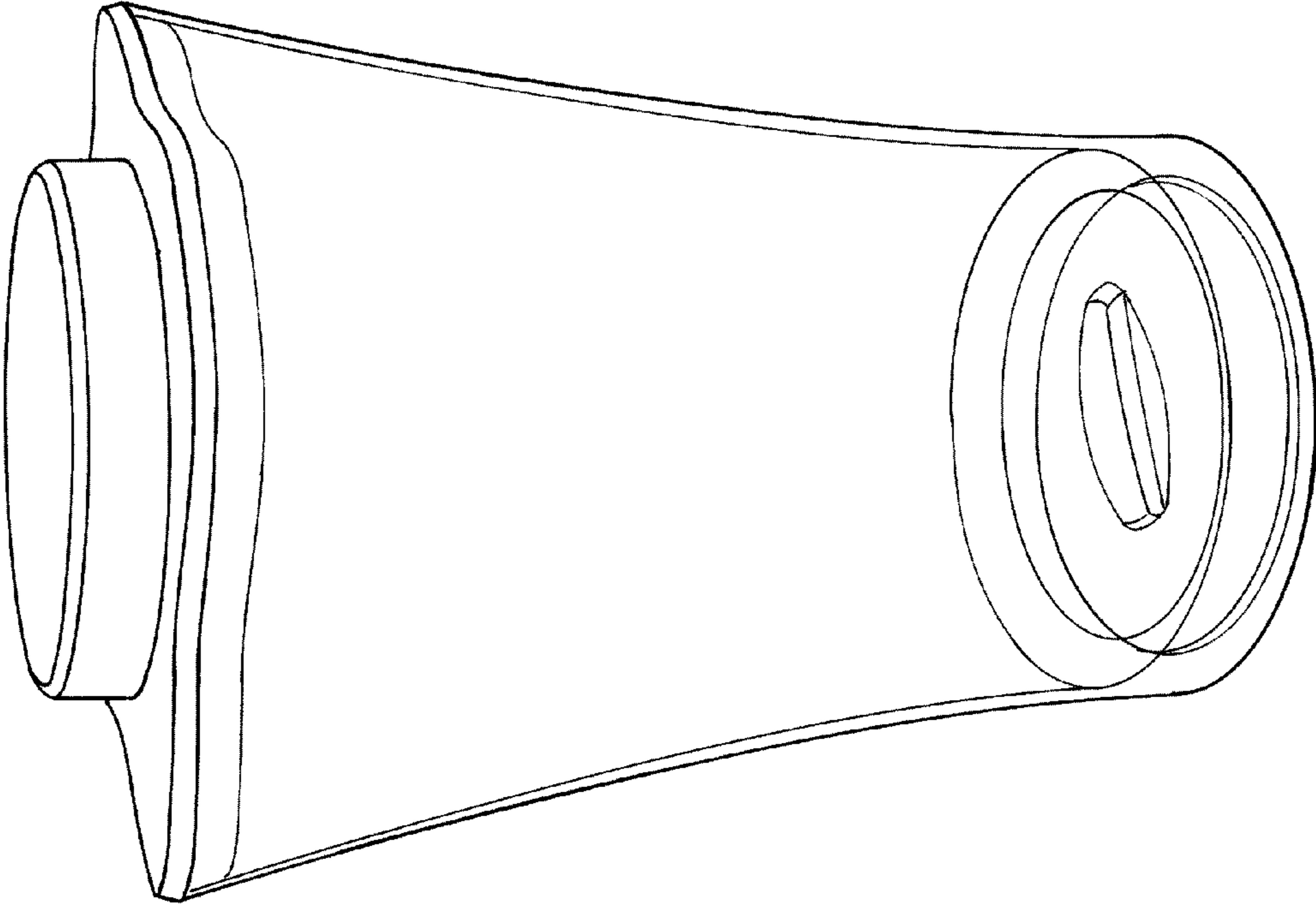


Fig. 24

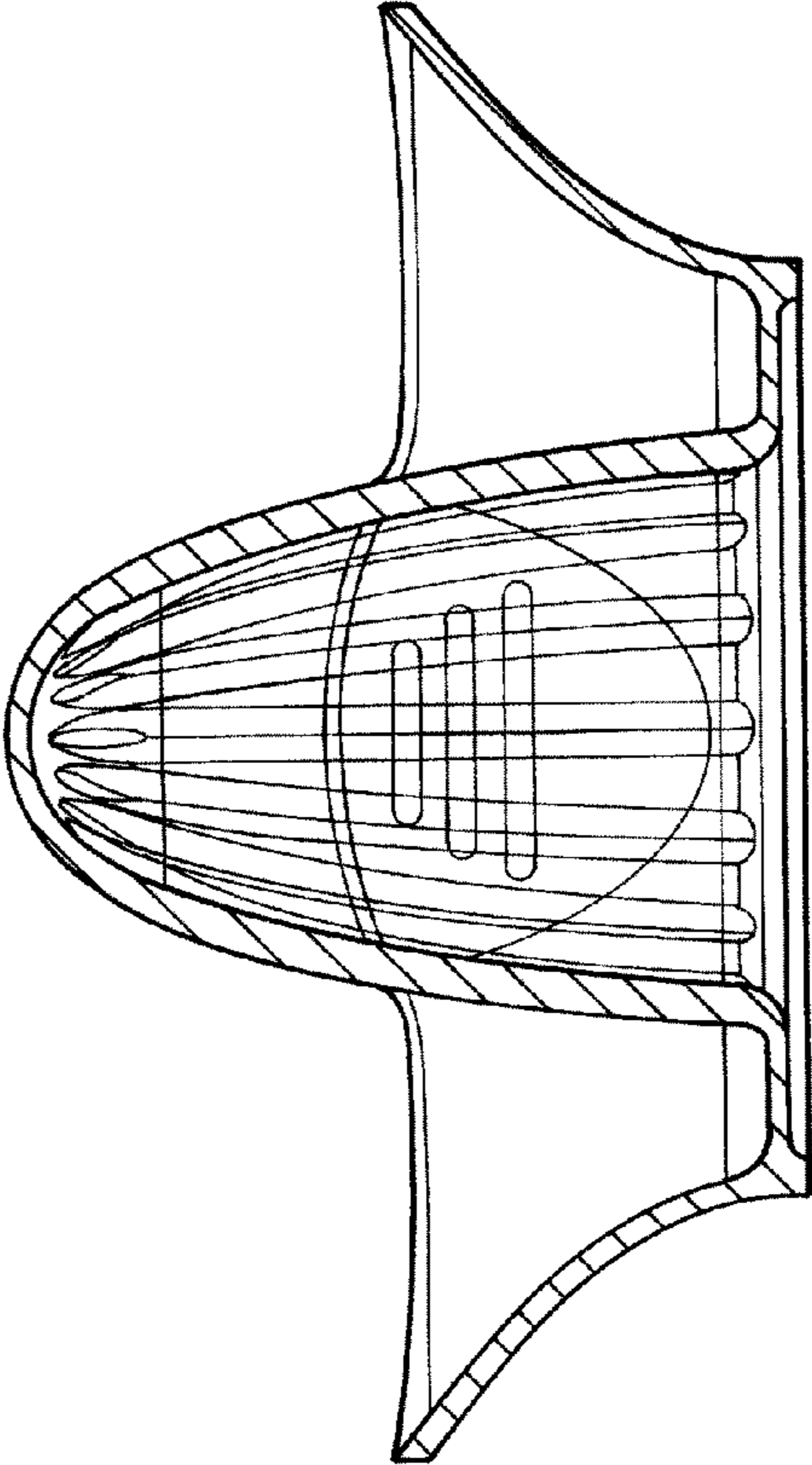


Fig. 23

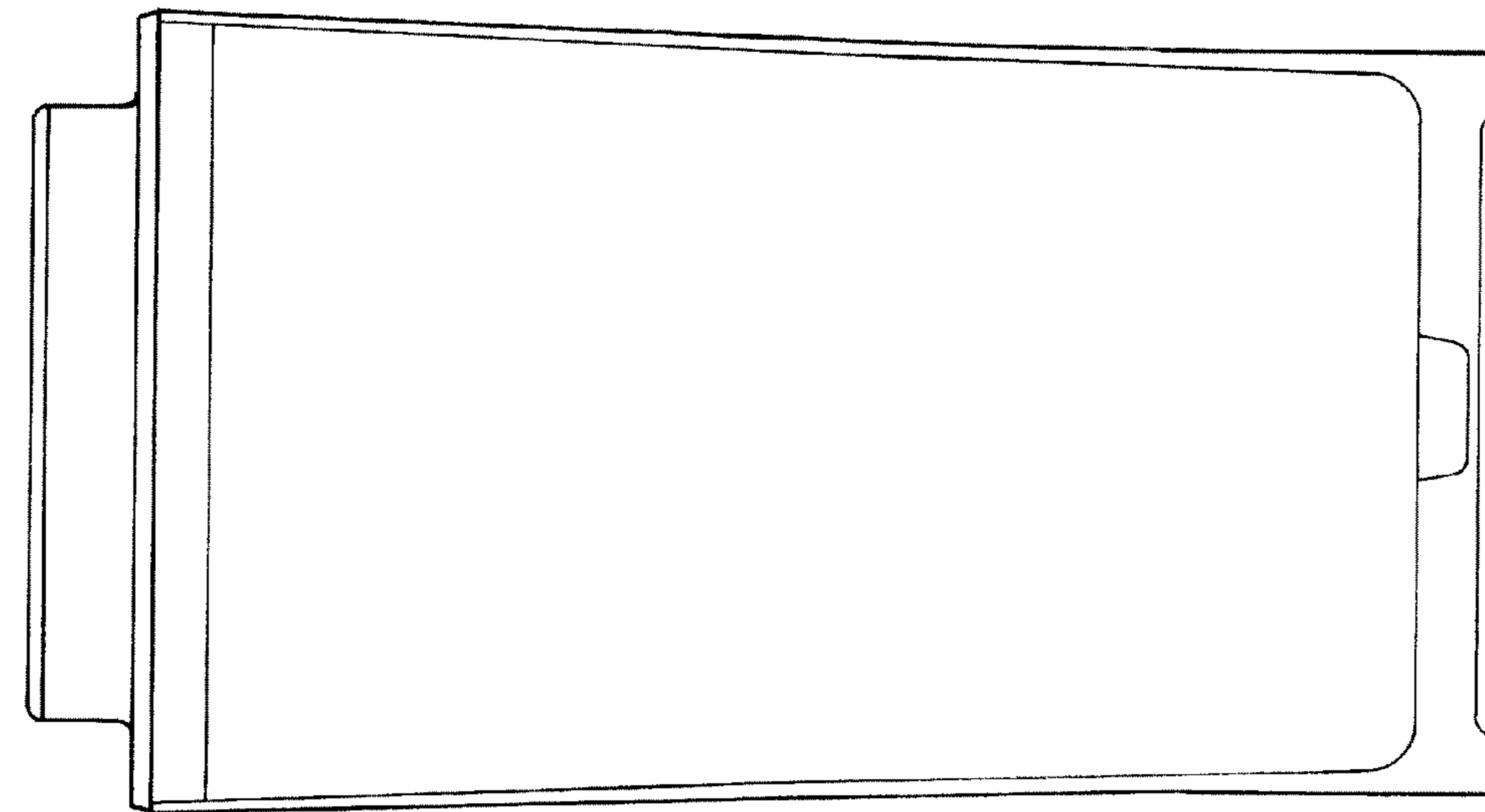


Fig. 26

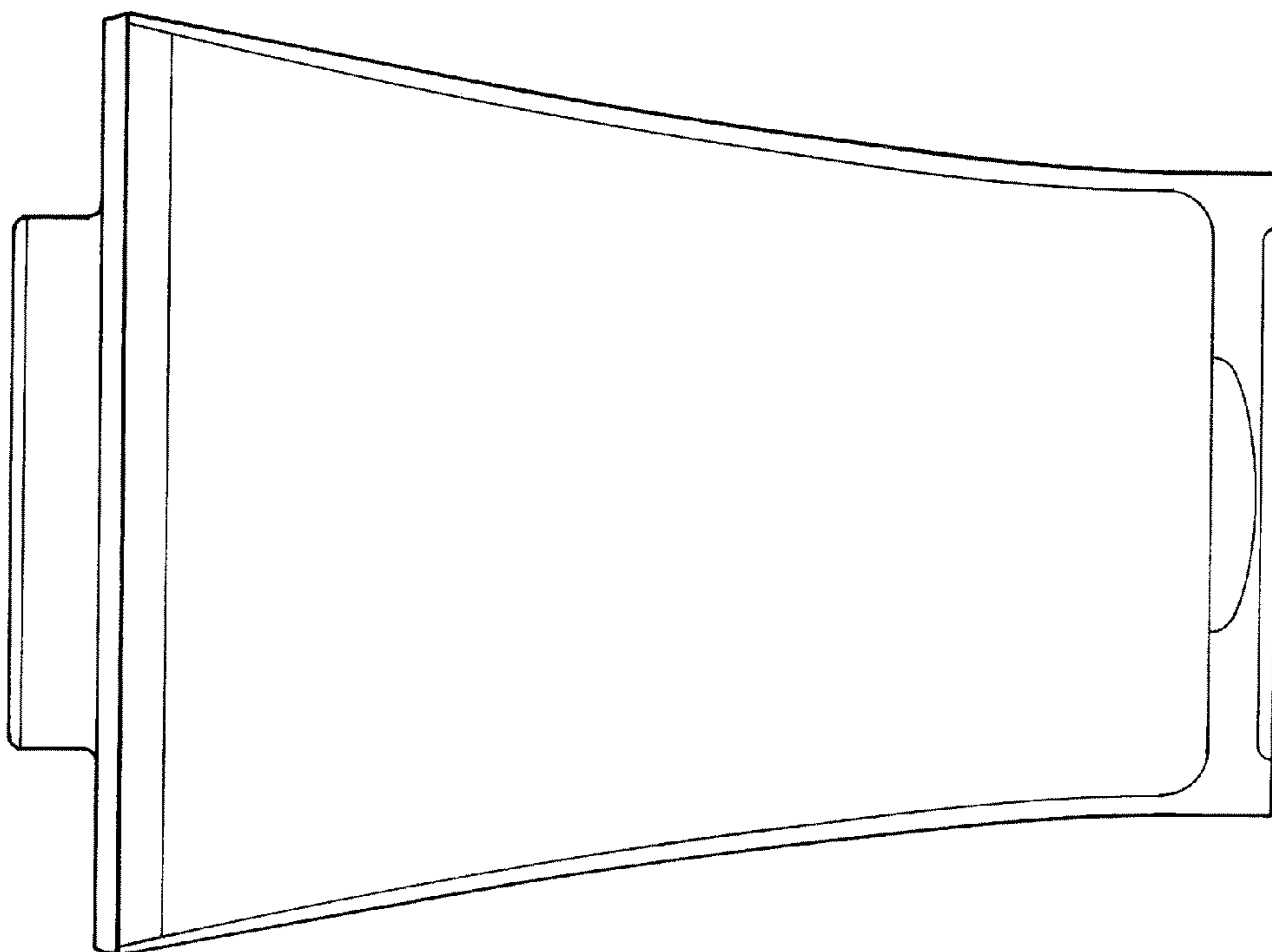


Fig. 25

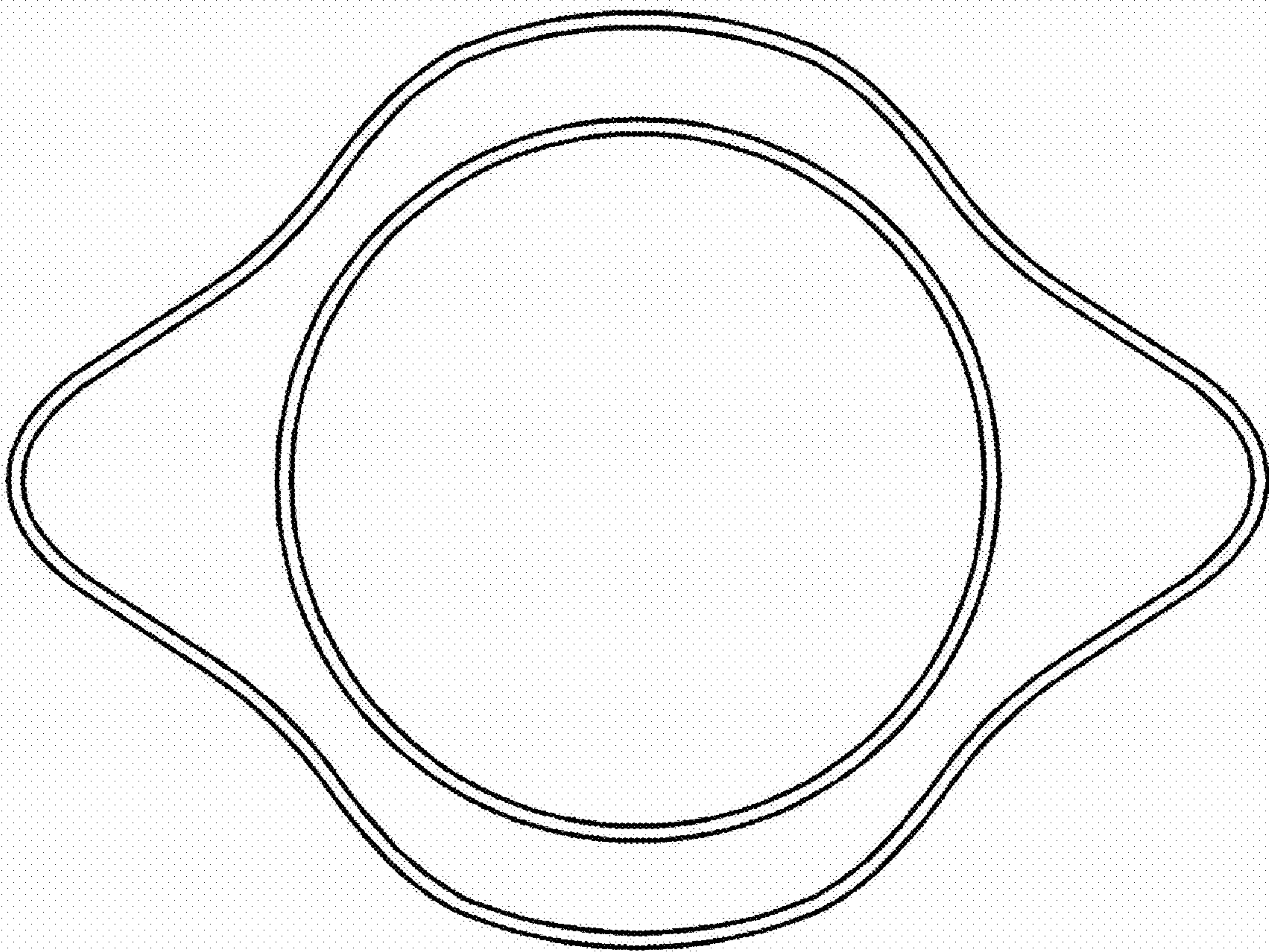


Fig. 27