



US00D640100S

(12) **United States Design Patent**
Shing

(10) **Patent No.:** **US D640,100 S**

(45) **Date of Patent:** **** Jun. 21, 2011**

- (54) **DOUBLE WALLED BOWL**
- (75) Inventor: **Kwok Sui Shing**, Kwun Tong (HK)
- (73) Assignee: **The Vollrath Company, L.L.C.**,
Sheboygan, WI (US)
- (**) Term: **14 Years**
- (21) Appl. No.: **29/364,951**
- (22) Filed: **Jun. 30, 2010**
- (51) **LOC (9) Cl.** **07-01**
- (52) **U.S. Cl.** **D7/586; D7/387**
- (58) **Field of Classification Search** D7/500,
D7/501, 584, 586, 587, 565, 548, 538, 505,
D7/527, 531, 543, 550.1, 554.3, 316, 545,
D7/667, 360, 387; D26/134; 210/232; 220/23.83,
220/574, 8, 573.1; D30/127; D9/717, 743,
D9/745, 744; 206/514, 518; 99/340, 413
See application file for complete search history.

- D111,229 S * 9/1938 Spence D7/531
- D144,905 S 6/1946 Cameron
- D154,216 S * 6/1949 Reifsnyder D7/562
- D168,218 S 11/1952 Falk
- D201,376 S 6/1965 Schroeder
- D204,212 S 3/1966 Davis
- D204,781 S 5/1966 Wanderer
- D209,307 S 11/1967 Schilling
- D209,311 S 11/1967 Schilling
- D214,678 S 7/1969 Weeber
- D219,496 S 12/1970 Lebedeff
- D219,748 S 1/1971 Bixler
- D220,846 S 6/1971 Mascetti
- 3,792,809 A 2/1974 Schneider et al.
- D230,552 S 3/1974 Bengert
- D234,448 S 3/1975 Achenbach
- D248,269 S 6/1978 Schreckengost

(Continued)

Primary Examiner — Cynthia Underwood
(74) *Attorney, Agent, or Firm* — Foley & Lardner LLP

(57) **CLAIM**
I claim the ornamental design for a double walled bowl, as shown and described.

(56) **References Cited**

U.S. PATENT DOCUMENTS

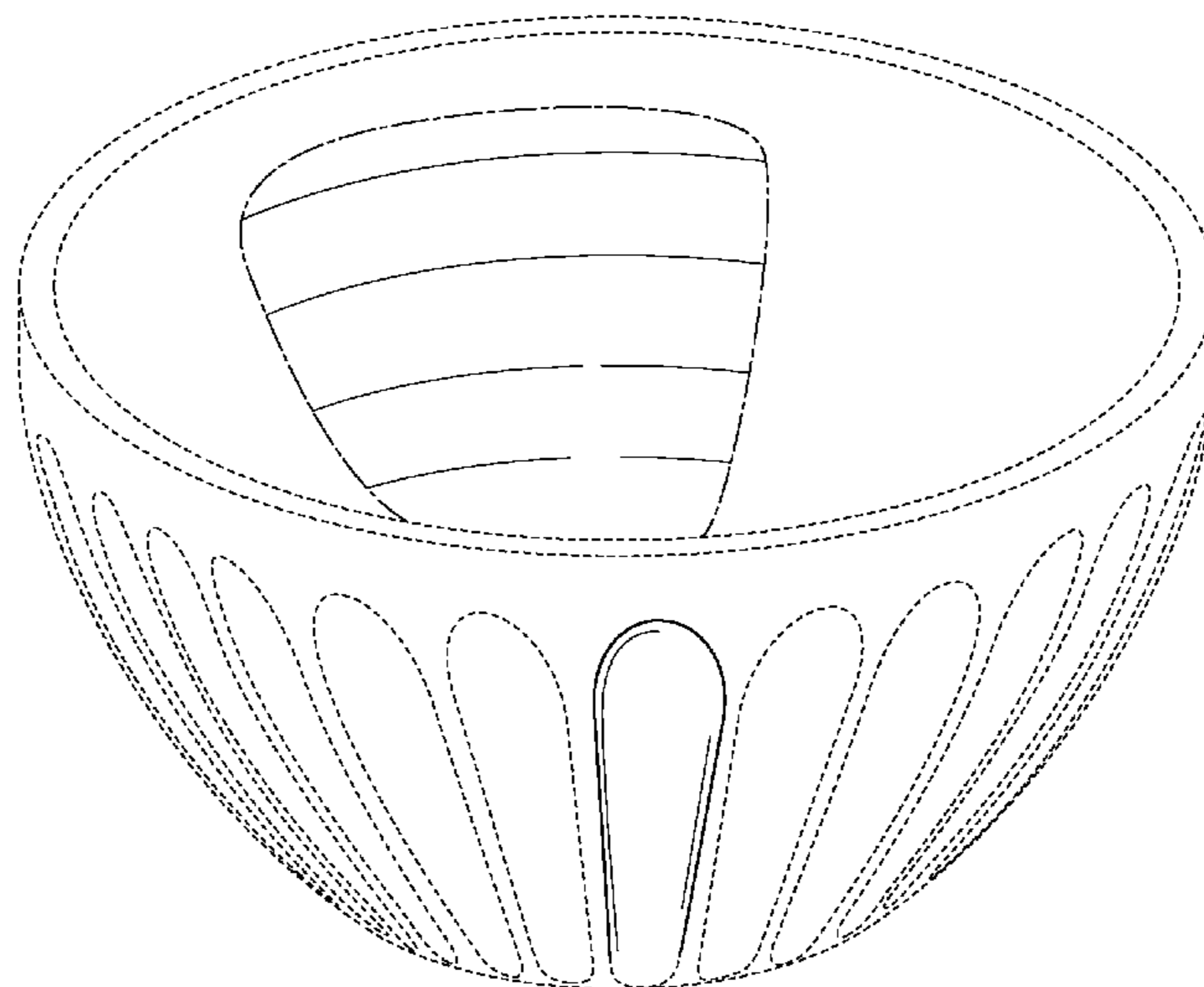
- 184,814 A 11/1876 Adam
- D37,424 S * 5/1905 Booth D26/134
- D43,852 S * 4/1913 Sanford D7/565
- 1,093,648 A 4/1914 Potter
- D48,245 S * 12/1915 Ebeling D7/565
- D50,194 S 1/1917 Haley
- D50,398 S 2/1917 Miller
- D50,401 S 2/1917 Miller
- D64,850 S * 6/1924 Heisey D7/565
- D66,853 S * 3/1925 Heisey D7/562
- 1,607,864 A 11/1926 Butler
- D75,939 S 7/1928 Tennhardt
- D81,921 S 9/1930 Dwyer
- D94,207 S 1/1935 Guild
- D94,245 S 1/1935 Sebring, Jr. et al.
- D95,504 S 5/1935 Guild
- 2,050,206 A 8/1936 Chaplin
- D103,390 S 3/1937 Connor
- D103,666 S 3/1937 Brogden

DESCRIPTION

FIG. 1 is a perspective view of the claimed design;
 FIG. 2 is a top view thereof;
 FIG. 3 is a bottom view thereof;
 FIG. 4 is a front view thereof, the rear view is identical to the front view;
 FIG. 5 is a left side view thereof, the right side view is identical to the left side view; and,
 FIG. 6 is a section view thereof taken along line 12—12 in FIG. 3.

The ornamental design which is claimed is shown in solid lines in the drawings. The broken lines and non-shaded areas in the drawings are for illustrative purposes only and form no part of the claimed design. The broken lines which define the bounds of the claimed design form no part thereof.

1 Claim, 5 Drawing Sheets



US D640,100 S

Page 2

U.S. PATENT DOCUMENTS

| | | | | | | |
|---------------|---------|----------------|---------|--------------|---------|---------------------------|
| D253,331 S | 11/1979 | Olschewski | | 5,934,472 A | 8/1999 | Ramirez et al. |
| D254,714 S | 4/1980 | Mascia et al. | | D424,879 S | 5/2000 | Biber |
| D256,756 S | 9/1980 | Painter et al. | | D428,770 S | 8/2000 | Wellner |
| D262,681 S | 1/1982 | Dawson | | D428,771 S | 8/2000 | Novi |
| D264,791 S | 6/1982 | Conti | | D432,362 S | 10/2000 | Fait |
| D264,792 S | 6/1982 | Conti | | D432,868 S | 10/2000 | Tan |
| D279,445 S | 7/1985 | Jagger | | D434,946 S | 12/2000 | Jarvis |
| D288,049 S * | 2/1987 | Unger | D7/548 | D438,794 S | 3/2001 | Miles et al. |
| D288,515 S | 3/1987 | Rimmeir | | D441,257 S | 5/2001 | Indekeu |
| D289,245 S | 4/1987 | Ritman | | D442,019 S | 5/2001 | Wyche |
| D289,246 S | 4/1987 | Ritman | | D442,425 S | 5/2001 | Wyche |
| D289,717 S | 5/1987 | Ritman | | D443,476 S | 6/2001 | Miura |
| D291,757 S | 9/1987 | Ritman | | D456,211 S | 4/2002 | Price |
| D299,106 S | 12/1988 | Pomroy | | D457,389 S | 5/2002 | Snell |
| D315,658 S | 3/1991 | Scherer | | D458,807 S | 6/2002 | Trazzi |
| D316,686 S | 5/1991 | Tardif | | D459,946 S | 7/2002 | Willat |
| D318,596 S | 7/1991 | Watts | | D460,663 S * | 7/2002 | Seager D7/565 |
| D321,815 S | 11/1991 | Bowdler | | D461,431 S | 8/2002 | Ciocchini |
| D325,112 S | 4/1992 | Thompson | | D471,404 S | 3/2003 | Gady |
| D327,236 S | 6/1992 | Weder | | D471,406 S | 3/2003 | Wellner |
| 5,172,826 A | 12/1992 | Celaya | | D478,476 S | 8/2003 | Wellner |
| D338,375 S * | 8/1993 | Andress | D7/565 | D478,477 S | 8/2003 | Tisdale et al. |
| D340,617 S | 10/1993 | Douglas | | D480,269 S | 10/2003 | Currier |
| D345,716 S | 4/1994 | Kwiatkowski | | D481,262 S | 10/2003 | Tisdale et al. |
| 5,348,187 A * | 9/1994 | Schultz | 220/752 | D482,967 S | 12/2003 | Bourque et al. |
| D360,558 S | 7/1995 | Appleman | | D485,127 S | 1/2004 | Maier-Aichen |
| D362,155 S | 9/1995 | Yee | | D488,352 S | 4/2004 | Tisdale et al. |
| D362,594 S | 9/1995 | McEntee | | D491,019 S | 6/2004 | Marsden et al. |
| D367,413 S | 2/1996 | Ballin | | D494,062 S | 8/2004 | Willis |
| D371,939 S | 7/1996 | Rigney | | D494,419 S | 8/2004 | Armer |
| D381,934 S | 8/1997 | Weder et al. | | D496,211 S | 9/2004 | Netter |
| D385,749 S | 11/1997 | Ebrahim et al. | | D511,437 S | 11/2005 | Brown |
| D389,061 S | 1/1998 | Ebrahim et al. | | D525,532 S | 7/2006 | Glass |
| 5,706,980 A | 1/1998 | Dickerson | | D539,094 S | 3/2007 | Wasserman |
| D391,808 S | 3/1998 | Voegel | | D544,298 S * | 6/2007 | Eide et al. D7/396.1 |
| D406,986 S | 3/1999 | Lewis | | D563,729 S * | 3/2008 | Eide et al. D7/584 |
| D411,288 S | 6/1999 | Cuttriss | | | | |

* cited by examiner

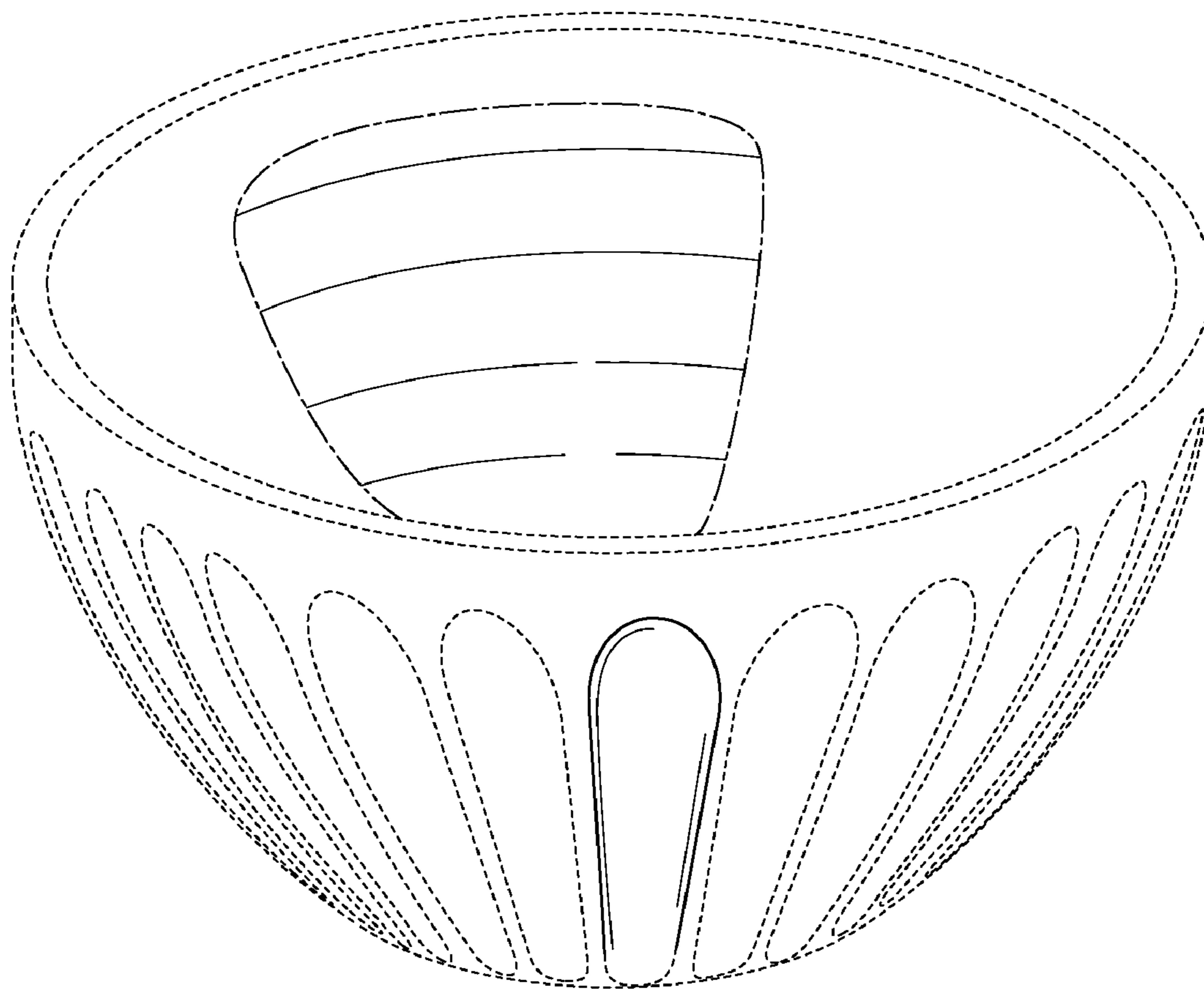


FIG. 1

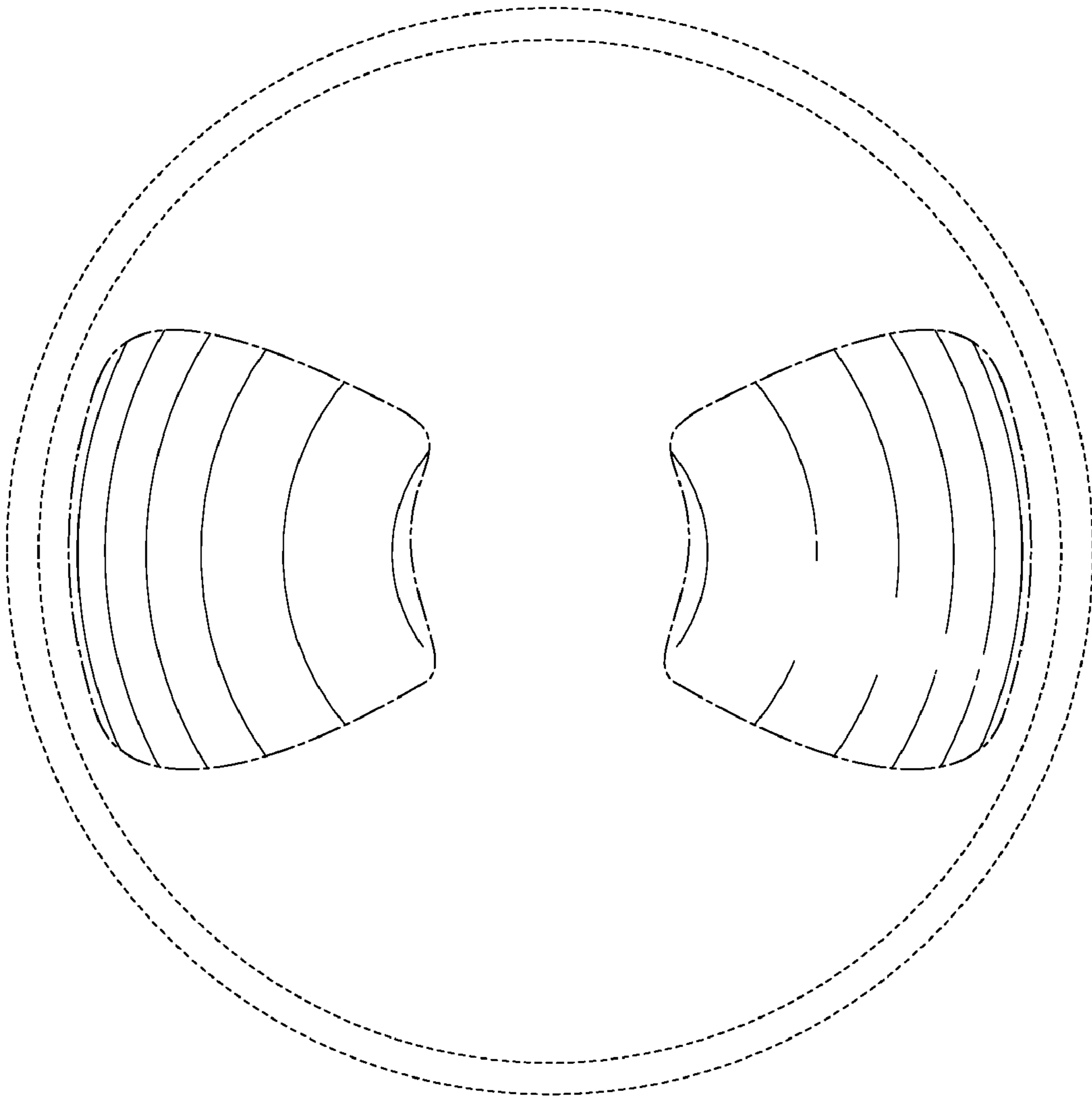


FIG. 2

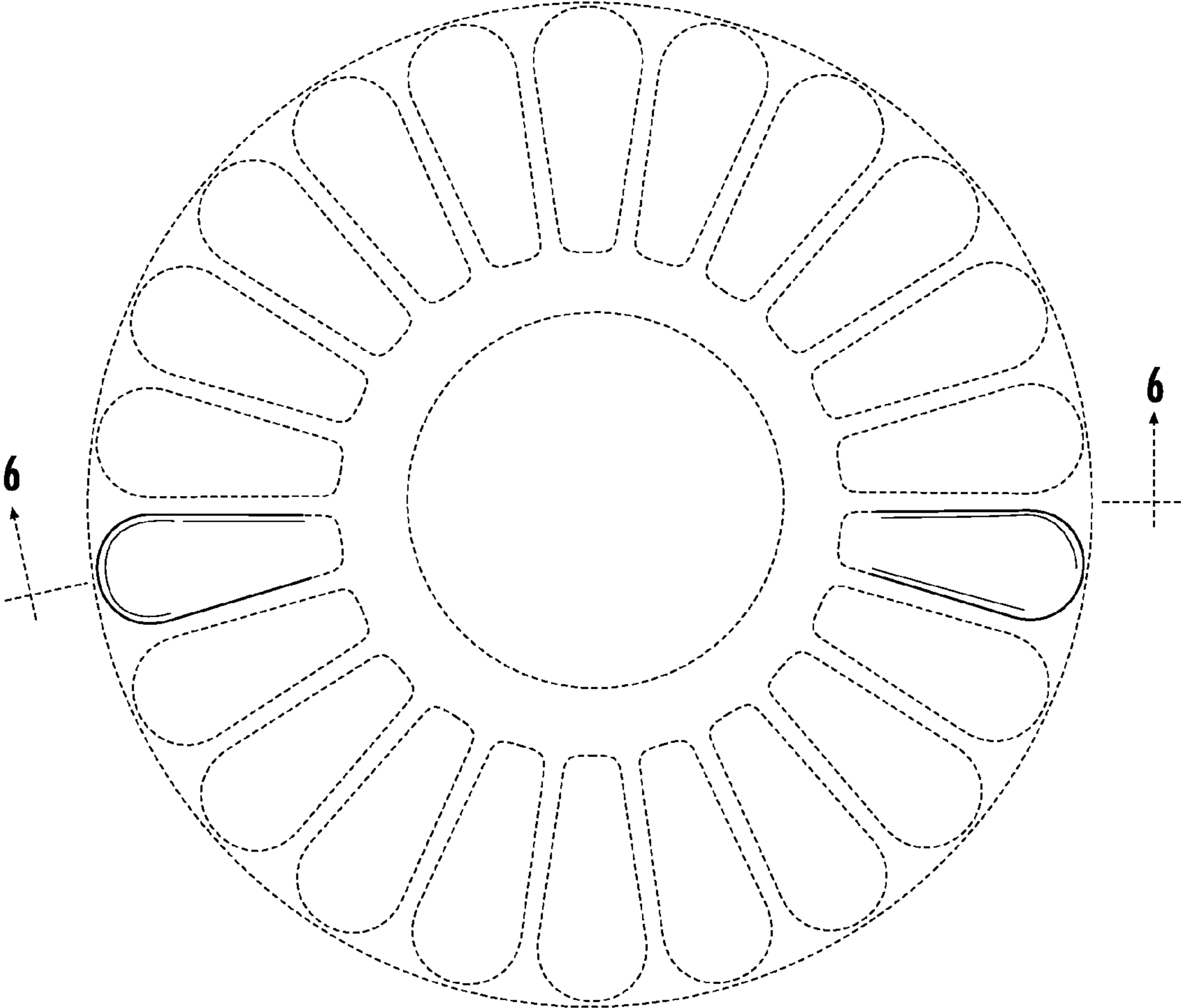


FIG. 3

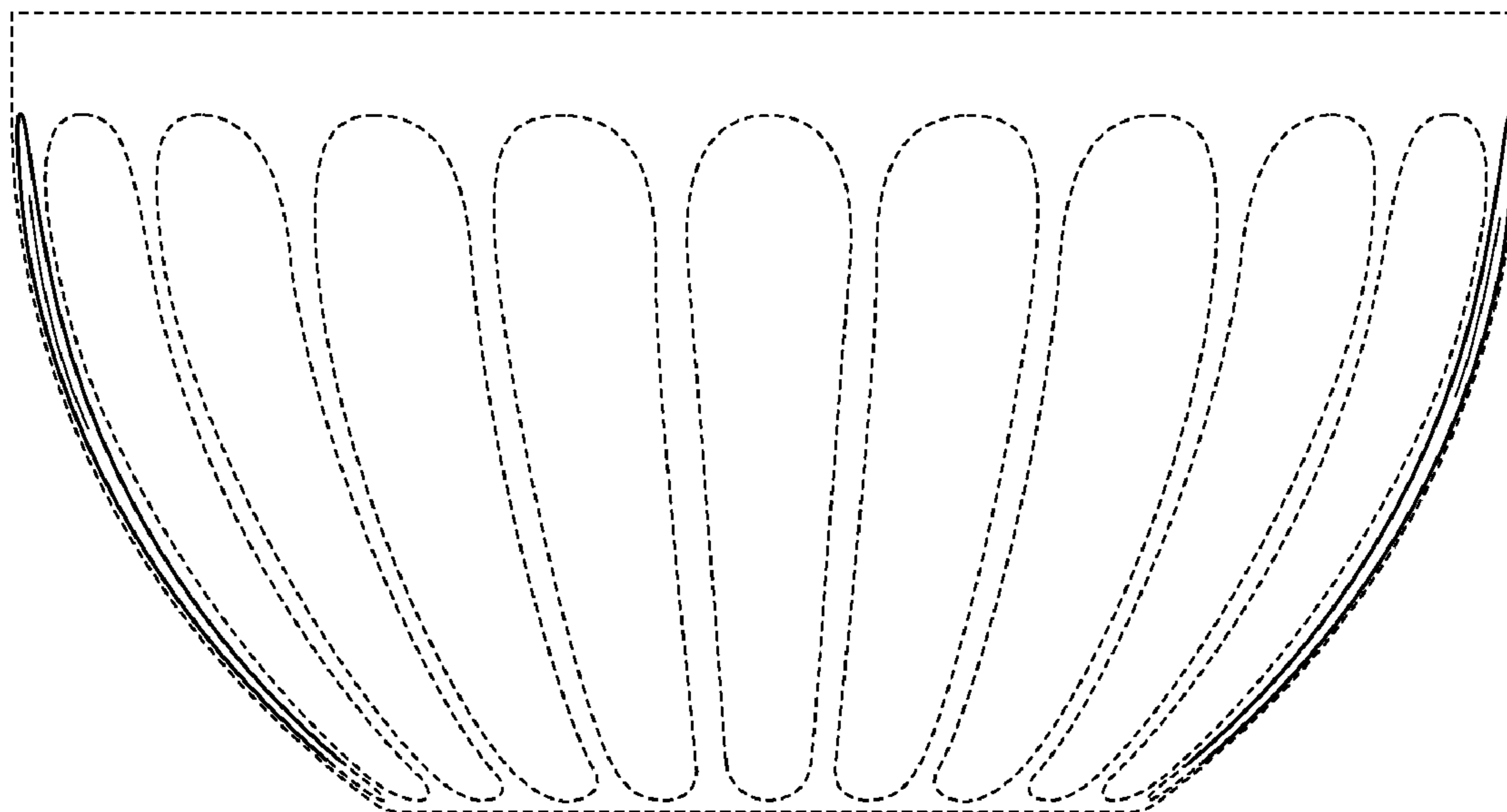


FIG. 4

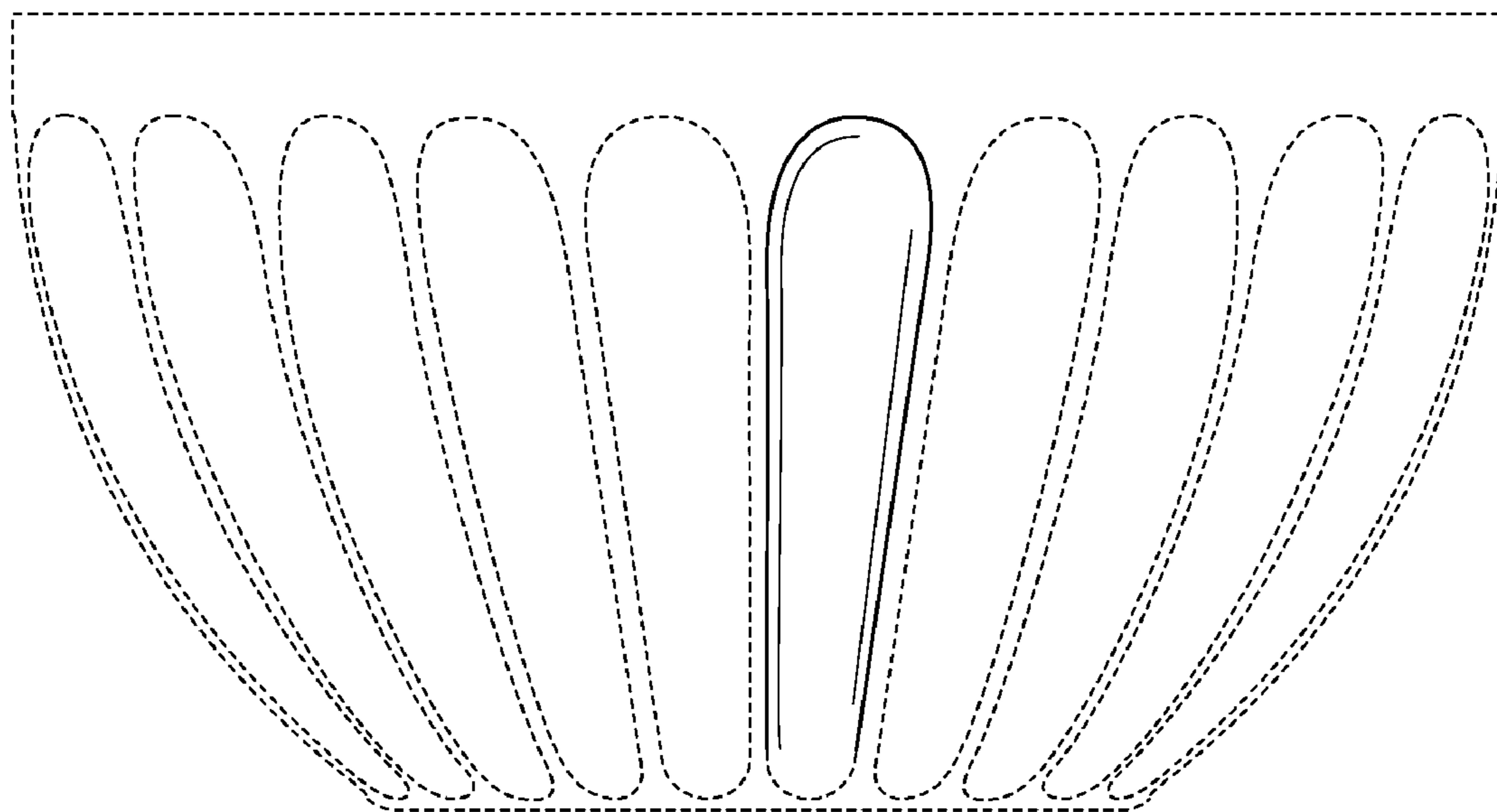


FIG. 5

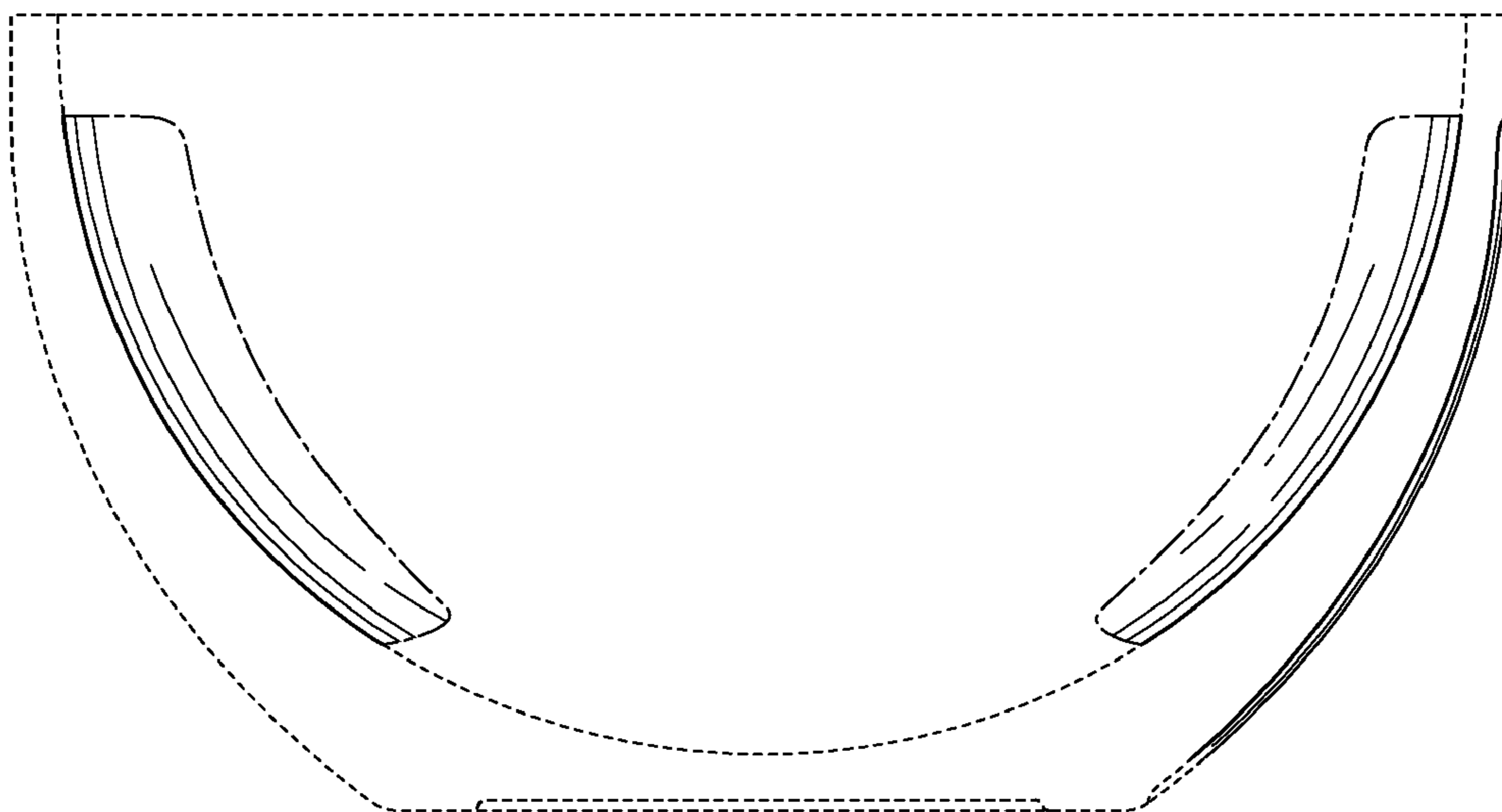


FIG. 6