



US00D640099S

(12) **United States Design Patent**
Marshall

(10) **Patent No.:** **US D640,099 S**
(45) **Date of Patent:** **** Jun. 21, 2011**

(54) **SET OF RECTANGULAR DINNERWARE WITH MARKINGS**

(76) Inventor: **Linette E. Marshall**, Miami, FL (US)

(**) Term: **14 Years**

(21) Appl. No.: **29/361,085**

(22) Filed: **May 5, 2010**

(51) **LOC (9) Cl.** **07-01**

(52) **U.S. Cl.** **D7/584**

(58) **Field of Classification Search** D7/554.3,
D7/501, 584, 500, 505, 590, 600.2, 585, 586,
D7/588, 550.1; 220/23.2, 23.4, 23.8, 23.83;
206/216; D9/424, 433; D6/406.2; 211/131.1,
211/163

See application file for complete search history.

(56) **References Cited**

U.S. PATENT DOCUMENTS

| | | | | |
|---------------|---------|-----------|-------|----------|
| 1,607,864 A * | 11/1926 | Butler | | 220/574 |
| D167,206 S * | 7/1952 | Gruen | | D7/554.3 |
| D169,064 S * | 3/1953 | Gruen | | D7/545 |
| D171,324 S * | 1/1954 | De Puy | | D7/549 |
| D271,557 S * | 11/1983 | Schwarzli | | D7/363 |
| D289,717 S | 5/1987 | Ritman | | |
| 5,199,600 A | 4/1993 | Fietsam | | |
| 5,538,145 A | 7/1996 | Held | | |
| 5,542,731 A | 8/1996 | Wills | | |

| | | | | |
|-----------------|---------|----------------|-------|----------|
| 5,706,946 A | 1/1998 | Kakizaki | | |
| D434,277 S | 11/2000 | Martel | | |
| D478,477 S * | 8/2003 | Tisdale et al. | | D7/586 |
| D481,262 S * | 10/2003 | Tisdale et al. | | D7/586 |
| D484,002 S * | 12/2003 | Carlson | | D7/584 |
| D489,226 S * | 5/2004 | De Neubourg | | D7/554.3 |
| D493,670 S * | 8/2004 | De Neubourg | | D7/554.3 |
| D568,672 S * | 5/2008 | Craig et al. | | D7/346 |
| 2003/0132176 A1 | 7/2003 | Takano | | |

* cited by examiner

Primary Examiner — Cynthia Underwood

(74) *Attorney, Agent, or Firm* — Lawrence J. Gibney, Jr.

(57) **CLAIM**

The ornamental design for set of rectangular dinnerware with markings, as shown and described.

DESCRIPTION

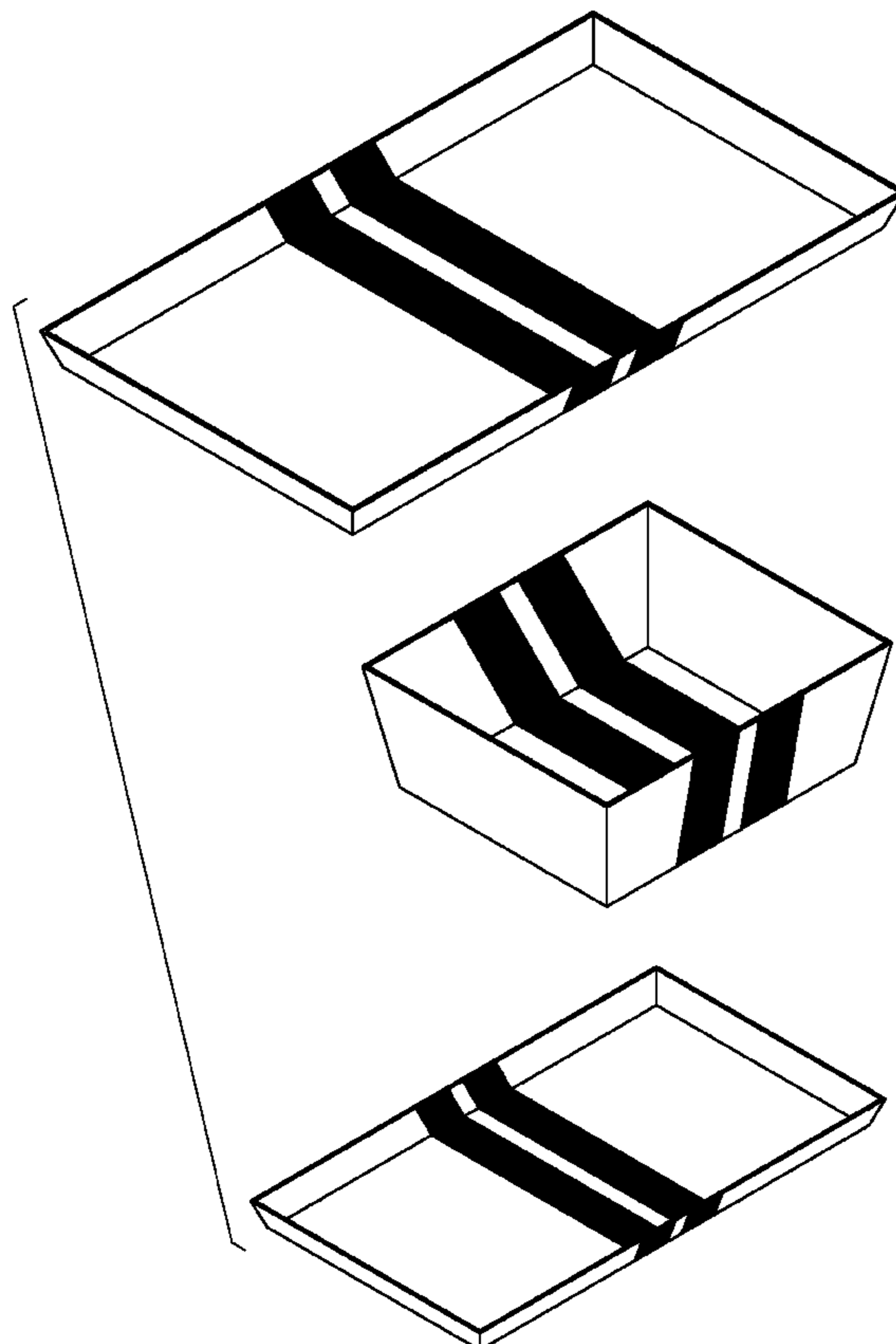
FIG. 1 is an isometric view of a set of rectangular dinnerware with markings showing my new design;

FIG. 2 is an isometric view of the dinner plate of the set of rectangular dinnerware with markings in FIG. 1 and shown separated;

FIG. 3 is an isometric view of the Salad Bowl of the set of rectangular dinnerware with markings in FIG. 1 and shown separated; and,

FIG. 4 is an isometric view the Bread Plate of the set of rectangular dinnerware with markings in FIG. 1 and shown separated.

1 Claim, 2 Drawing Sheets



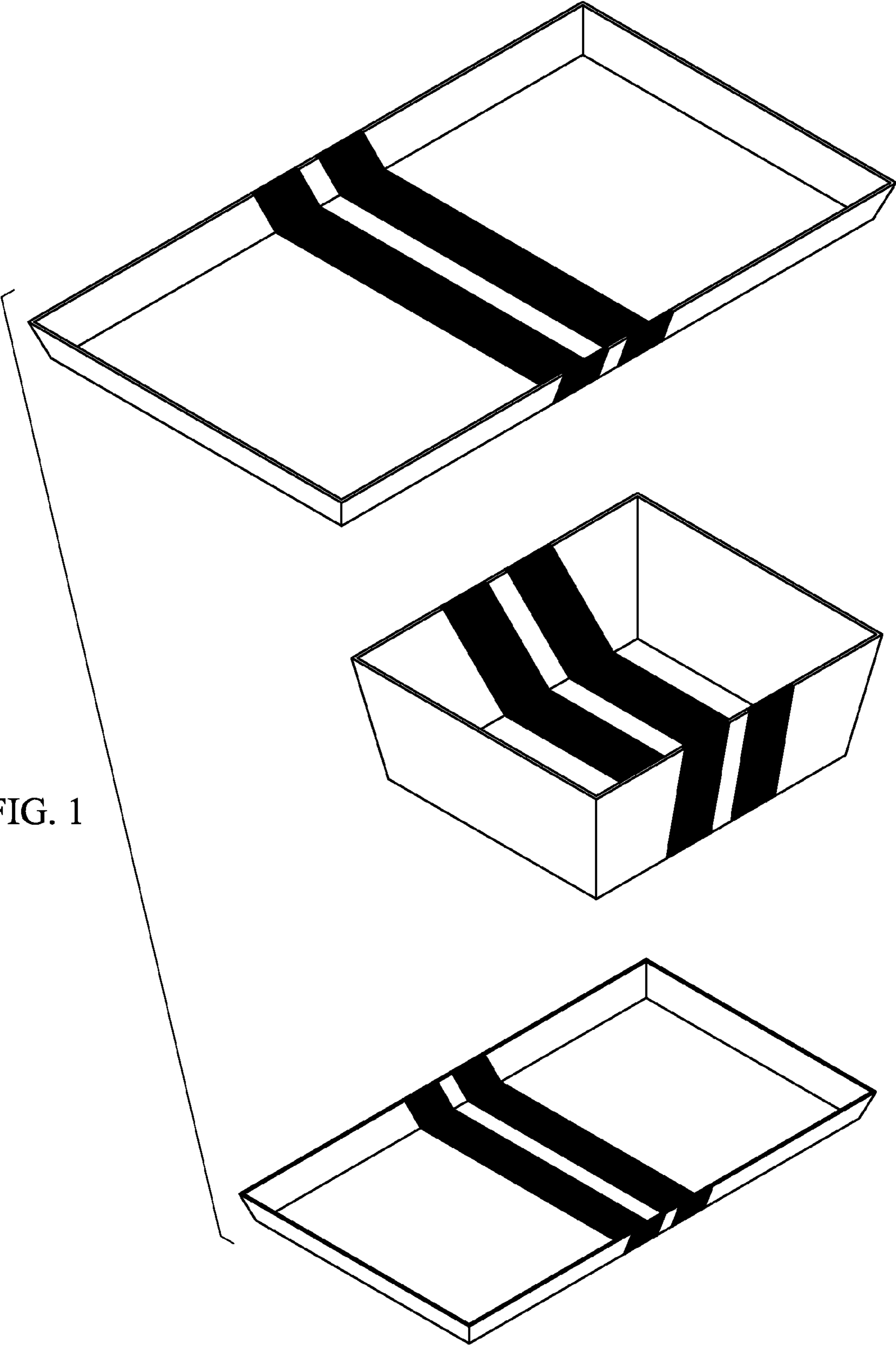


FIG. 1

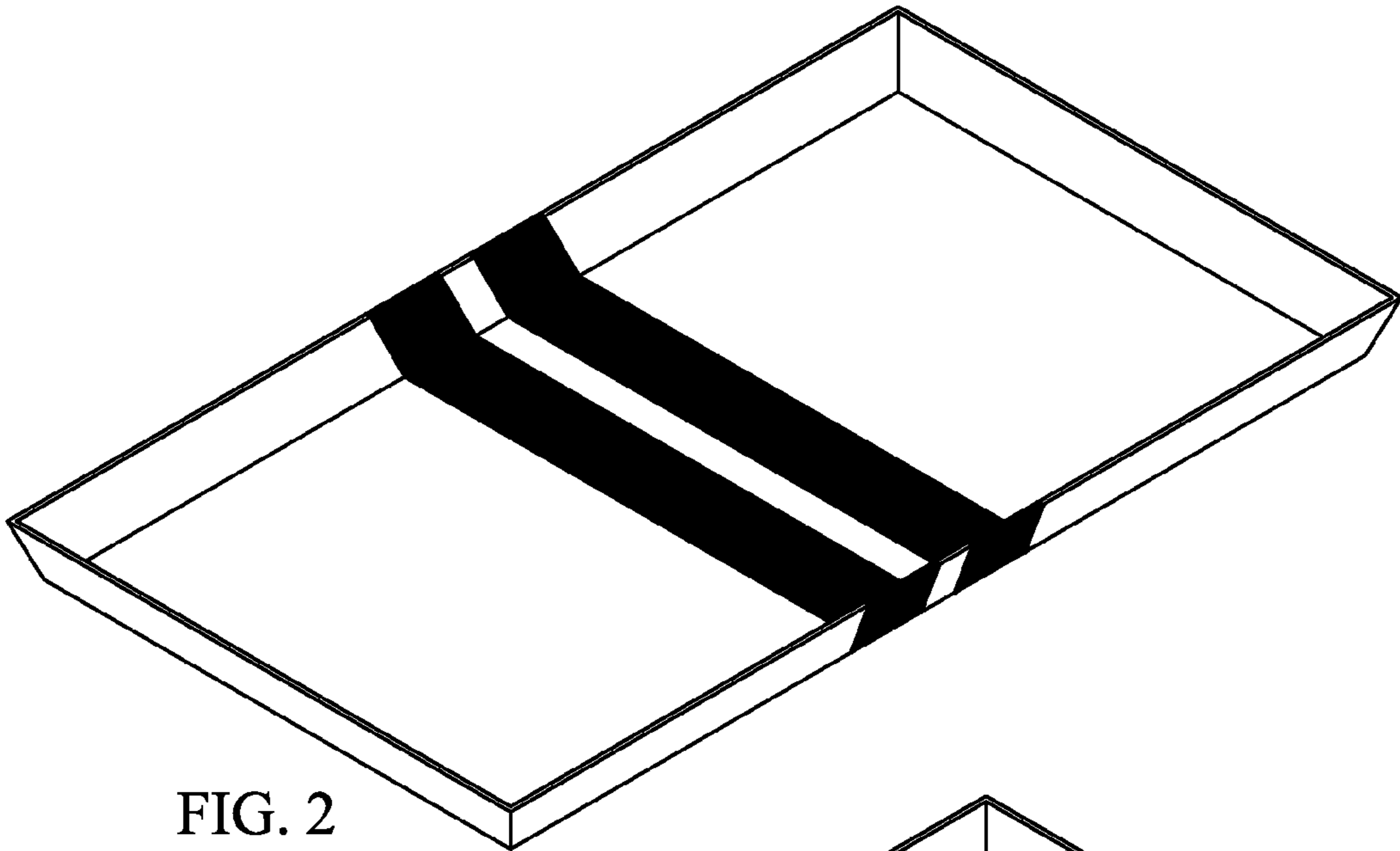


FIG. 2

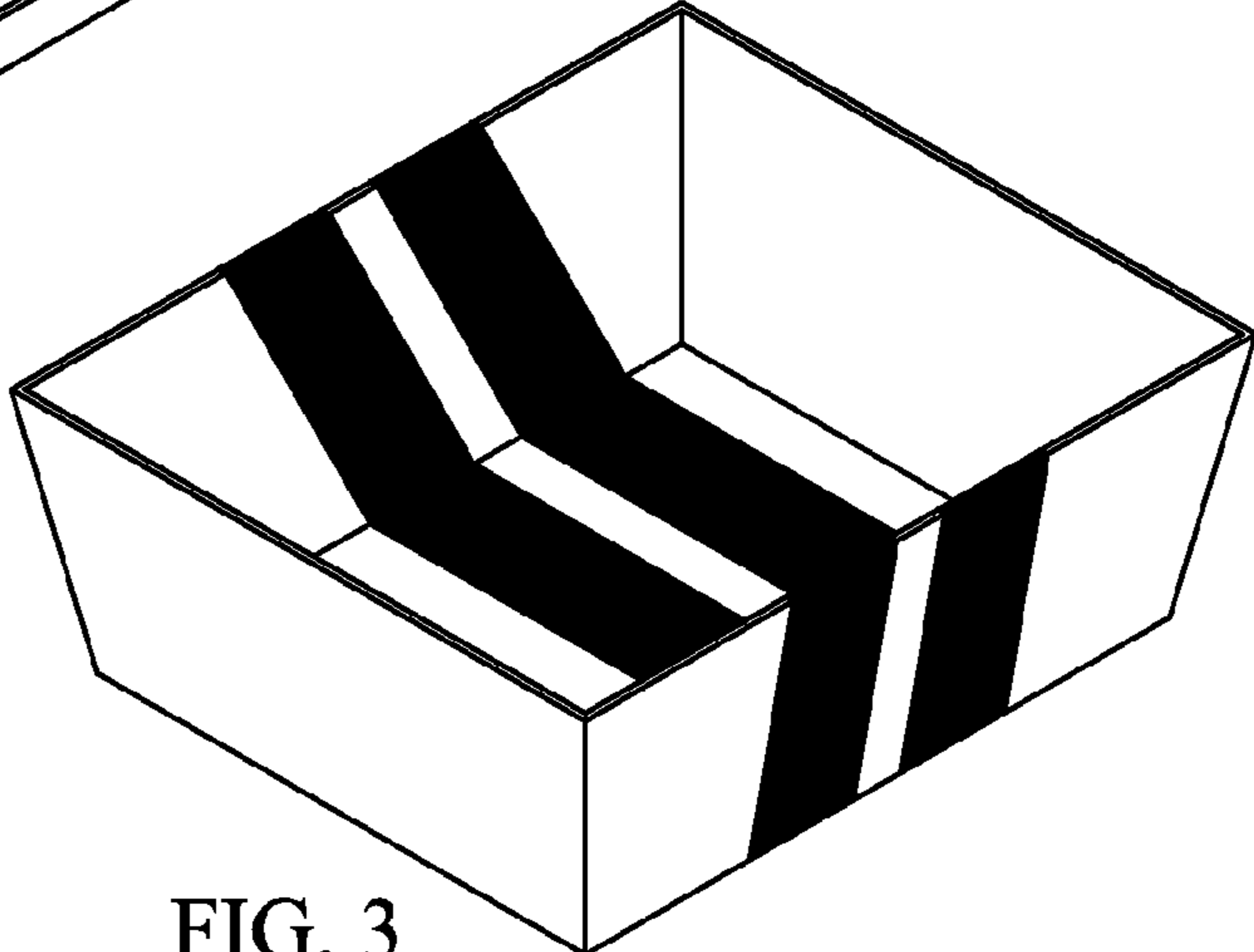


FIG. 3

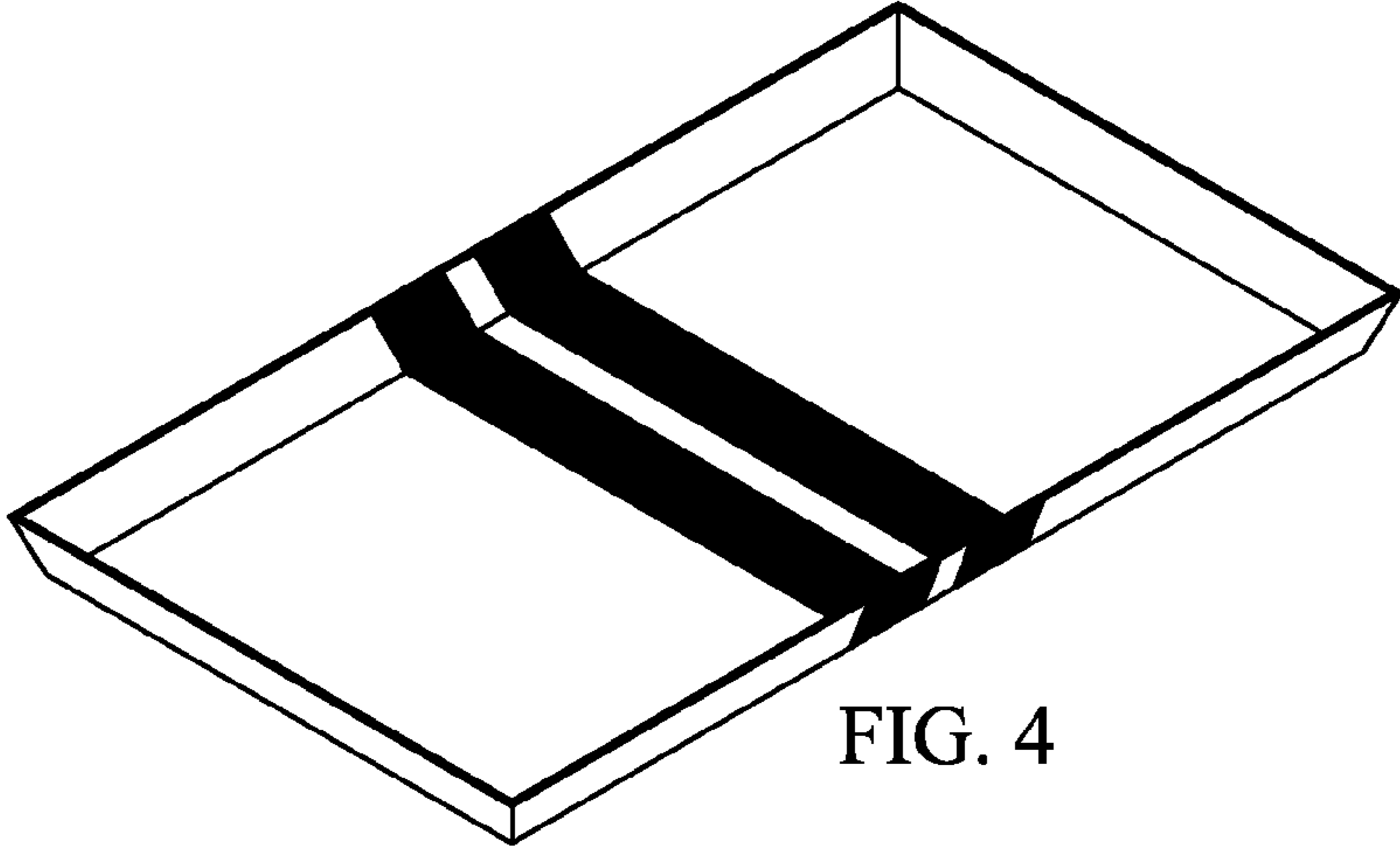


FIG. 4