



US00D640095S

(12) **United States Design Patent**
Dettloff et al.

(10) **Patent No.:** **US D640,095 S**

(45) **Date of Patent:** **** Jun. 21, 2011**

(54) **DRINK CUP**

(75) Inventors: **Howard Lee Dettloff**, Phymouth, MN (US); **Nicholas James Audette**, Crystal, MN (US)

(73) Assignee: **Select Food Products, Inc.**, Plymouth, MN (US)

(**) Term: **14 Years**

(21) Appl. No.: **29/372,359**

(22) Filed: **Nov. 12, 2010**

(51) **LOC (9) Cl.** **07-01**

(52) **U.S. Cl.** **D7/510; D7/511; D7/396.2; D7/542**

(58) **Field of Classification Search** **D7/396.2, D7/387, 507, 397, 509, 510, 511, 542, 538; 220/718; 215/387, DIG. 8; D9/425**

See application file for complete search history.

(56) **References Cited**

U.S. PATENT DOCUMENTS

1,948,932	A *	2/1934	McMickle	220/23.83
2,543,427	A *	2/1951	Smith	141/381
2,975,925	A *	3/1961	Chambers	215/387
3,021,977	A *	2/1962	Hester	220/718
D267,461	S *	1/1983	Crisman et al.	D7/507
D272,128	S *	1/1984	Parmentier	D9/425
D324,973	S *	3/1992	Slagerman	D7/507
D335,085	S *	4/1993	Wacker	D9/504
D397,911	S *	9/1998	Waldmann	D7/507
D465,973	S *	11/2002	Dritlein, Jr.	D7/566
D478,813	S *	8/2003	Beene	D9/519
6,776,315	B1 *	8/2004	Laulom et al.	222/568
D511,654	S *	11/2005	Bailey	D7/515
D513,686	S *	1/2006	Bailey	D7/515
D527,954	S *	9/2006	Roth	D7/557
D545,622	S *	7/2007	Gomez	D7/507

D556,567	S *	12/2007	Templeton	D9/425
D569,175	S *	5/2008	Mansfield et al.	D7/396.1
D595,537	S *	7/2009	Mansfield et al.	D7/396.1
D618,500	S *	6/2010	Hardaway	D7/396.2
D618,547	S *	6/2010	Manning et al.	D9/425
D629,243	S *	12/2010	Meyl et al.	D7/305

* cited by examiner

Primary Examiner — Marianne Pandozzi

(74) *Attorney, Agent, or Firm* — Hugh D. Jaeger, Esq.

(57) **CLAIM**

The ornamental design for a drink cup, as shown and described.

DESCRIPTION

FIG. 1 is an in-use perspective view of a drink cup showing our new design;

FIG. 2 is a front elevational view of the drink cup;

FIG. 3 is a top view thereof;

FIG. 4 is a right side elevational view thereof;

FIG. 5 is a left side elevational view thereof;

FIG. 6 is a back side elevational view thereof;

FIG. 7 is a bottom view thereof;

FIG. 8 is an exploded left side elevational view thereof;

FIG. 9 is a upward interior plan view of the drink cup with the lower portion removed for ease of illustration;

FIG. 10 is a downward interior plan view of the drink cup showing the reservoir portion with the upper portion of the drink cup removed for ease of illustration;

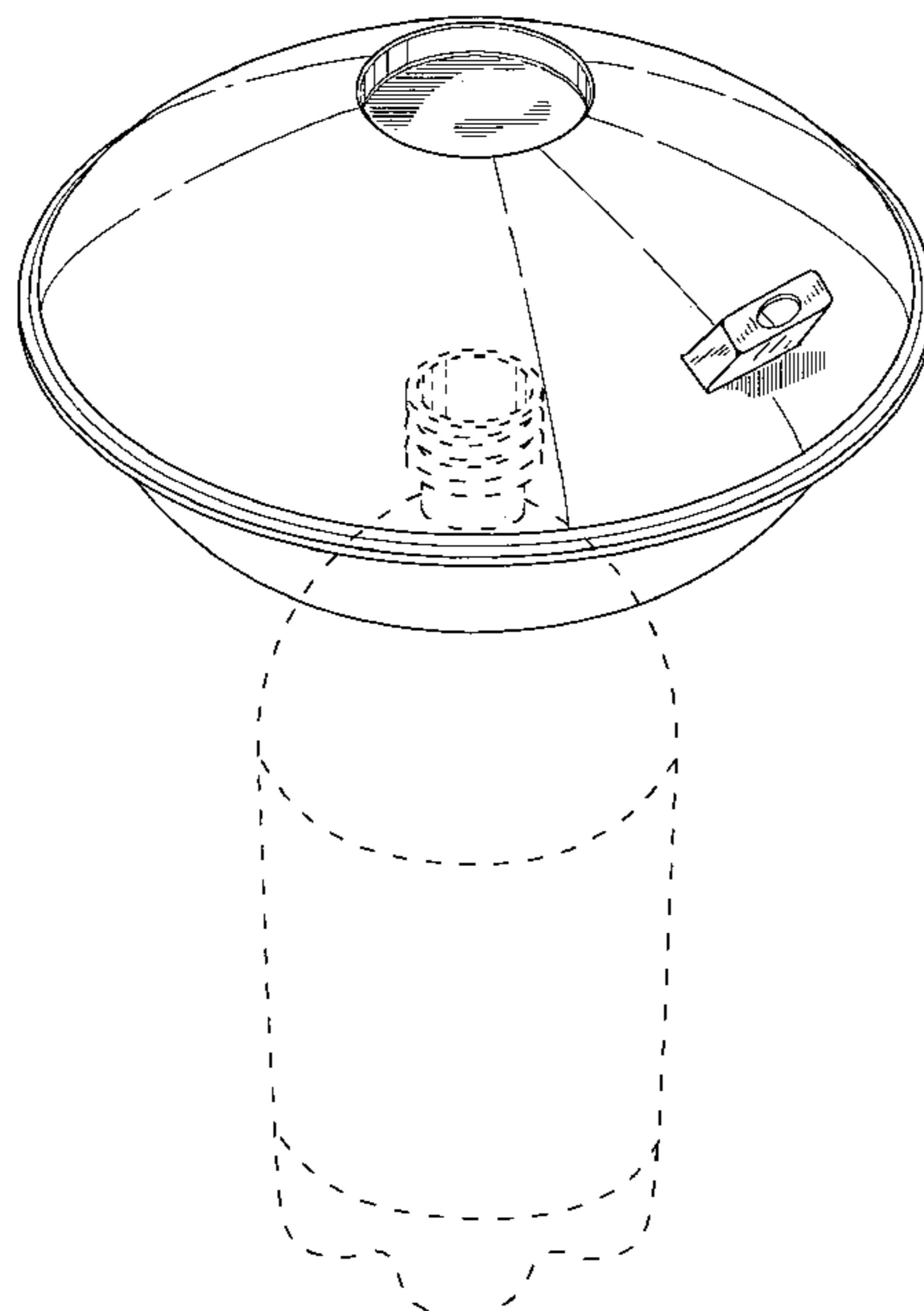
FIG. 11 is a front elevational view partially broken away for ease of illustration;

FIG. 12 is a left side cross sectional view thereof taken along line 12-12 of FIG. 11; and,

FIG. 13 is an exploded perspective view of the drink cup.

The broken lines in the drawings depict environmental subject matter only and form no part of the claimed design.

1 Claim, 13 Drawing Sheets



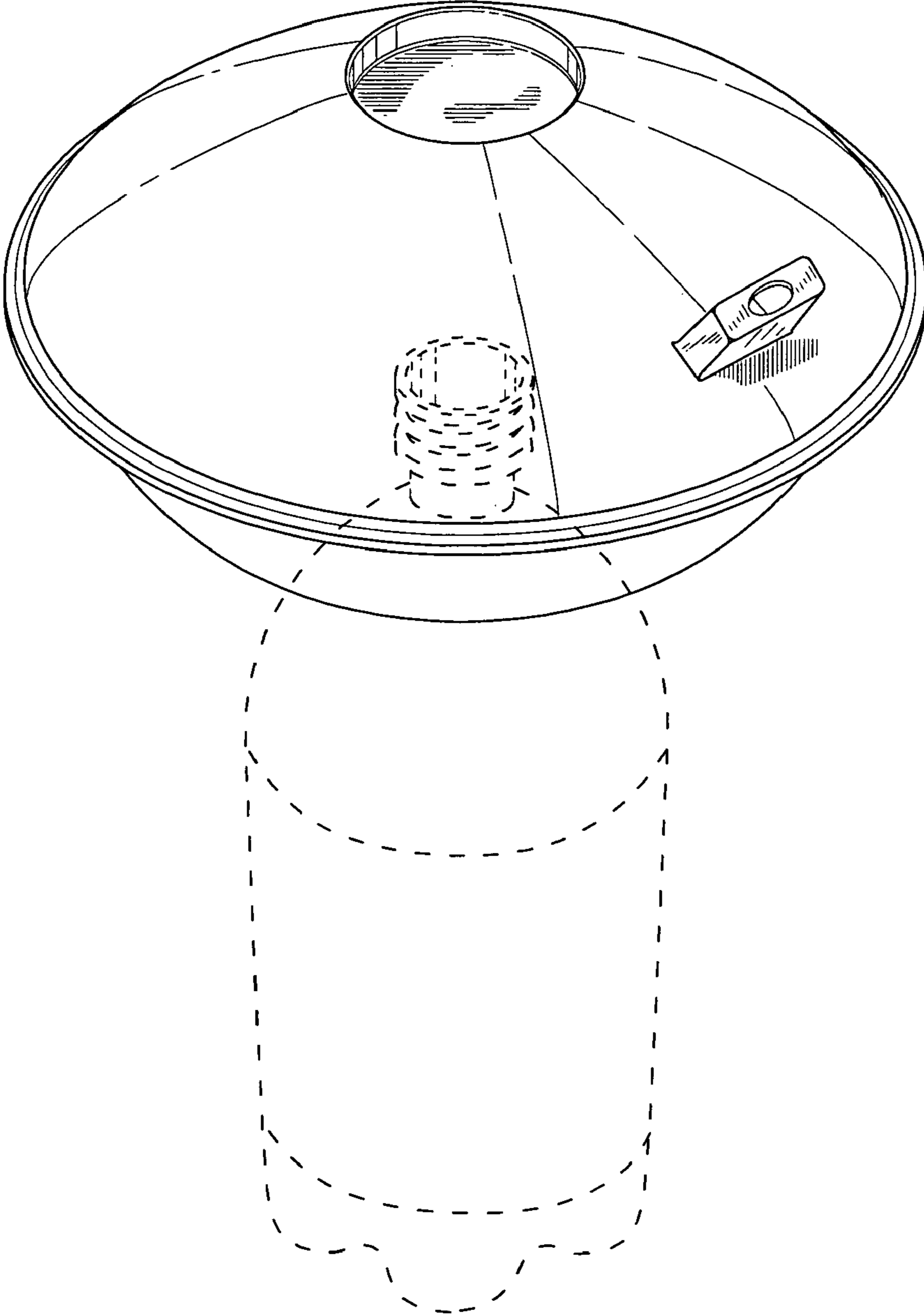


FIG. 1

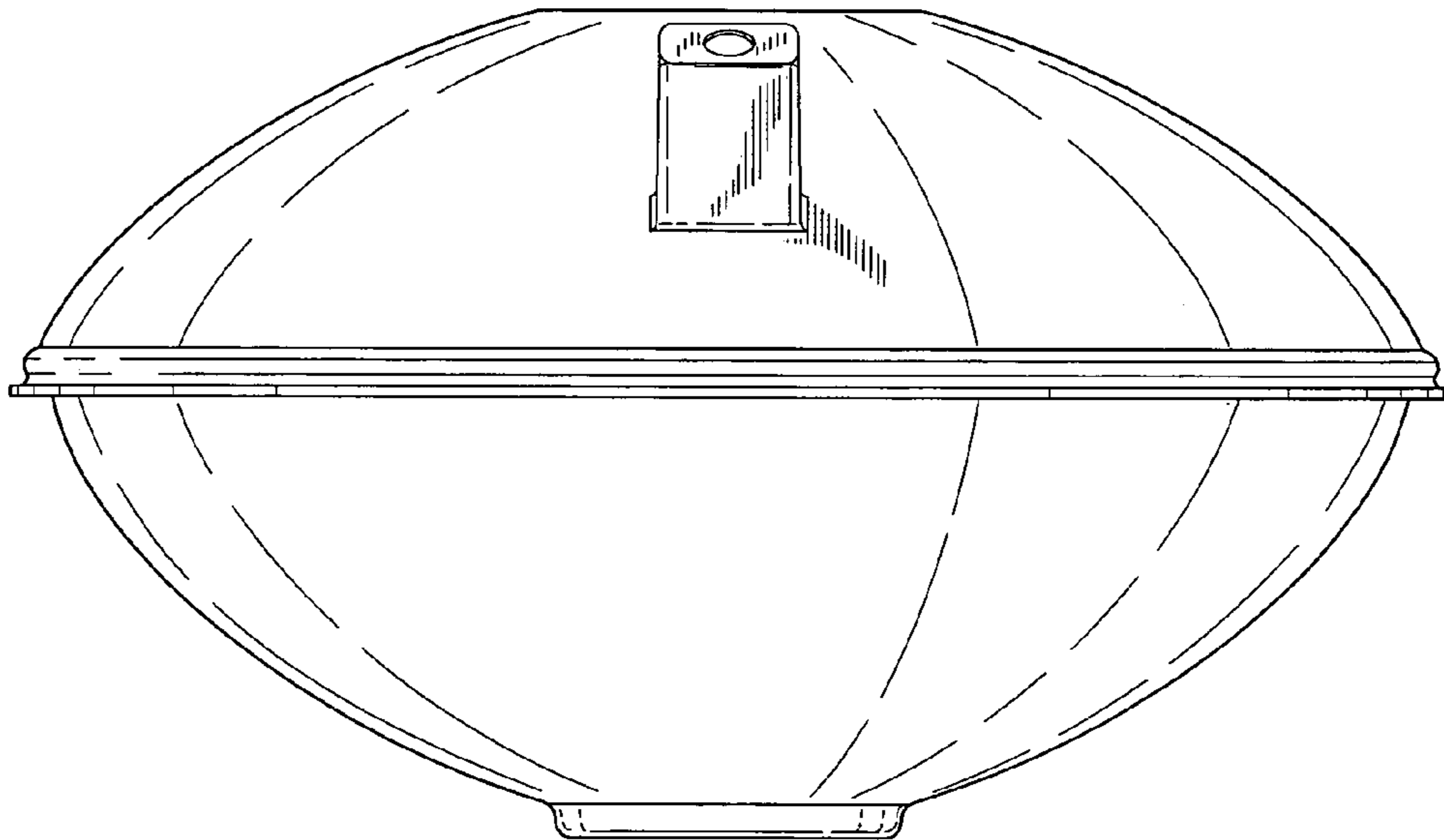


FIG. 2

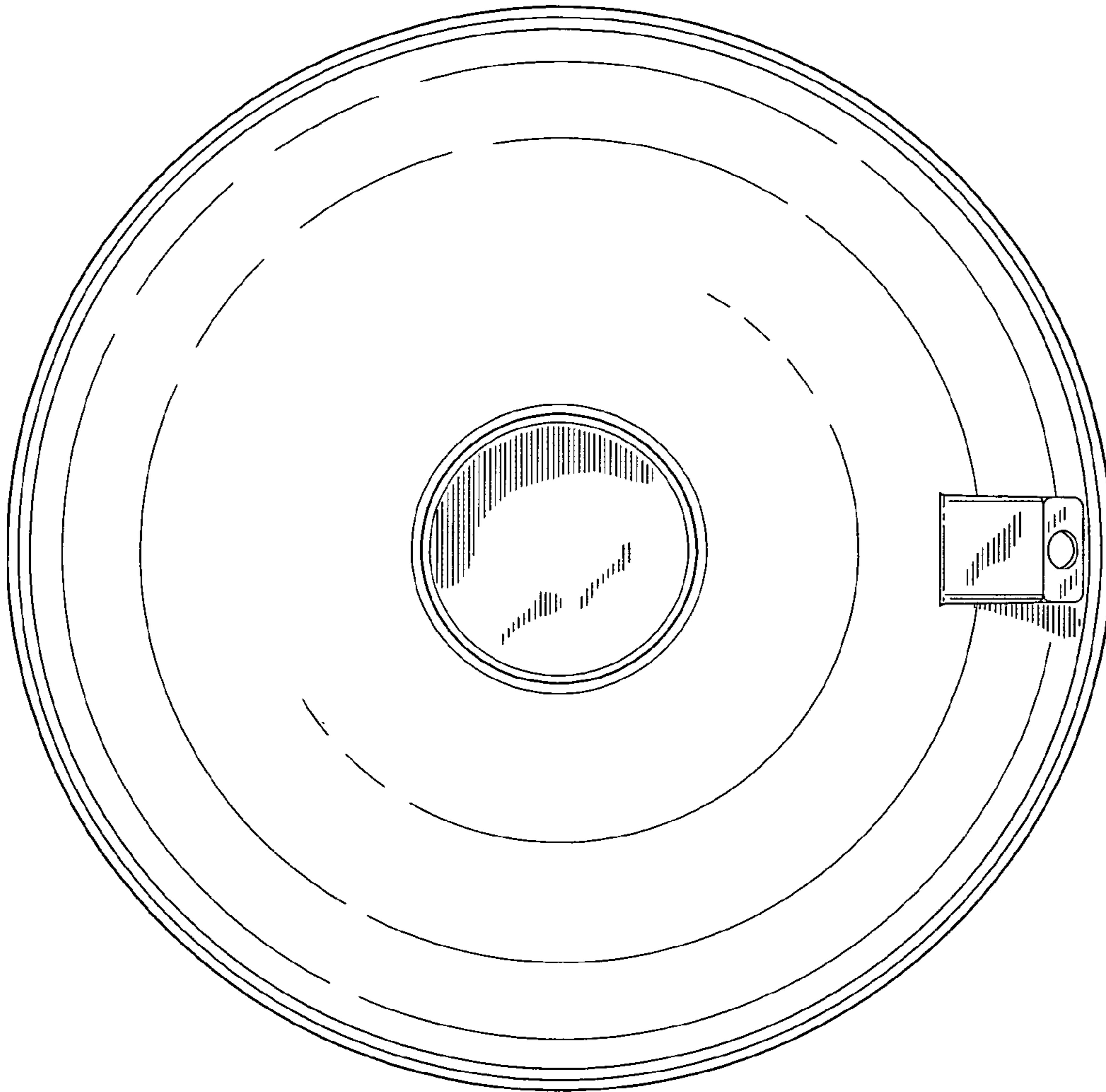


FIG. 3

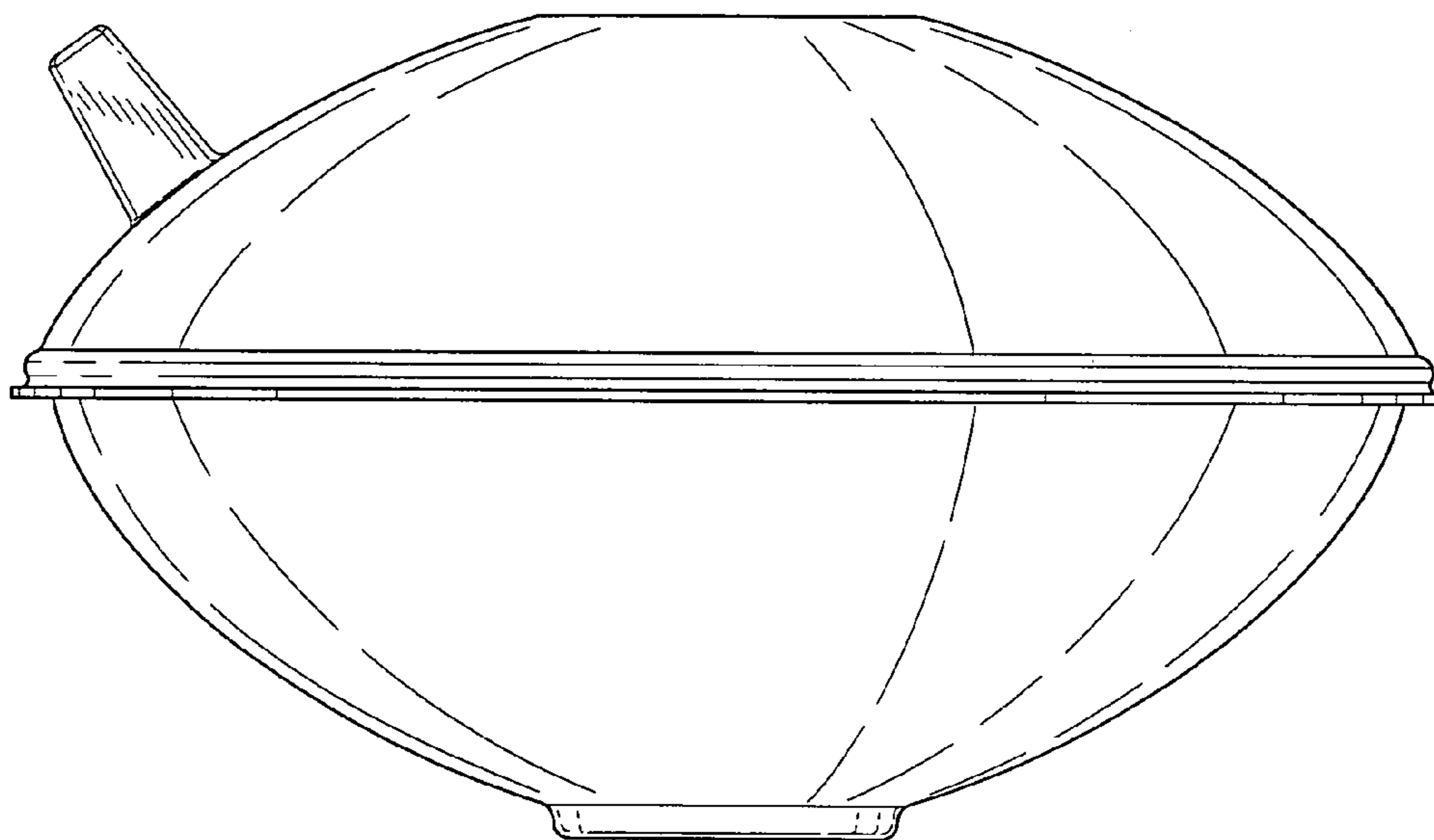


FIG. 4

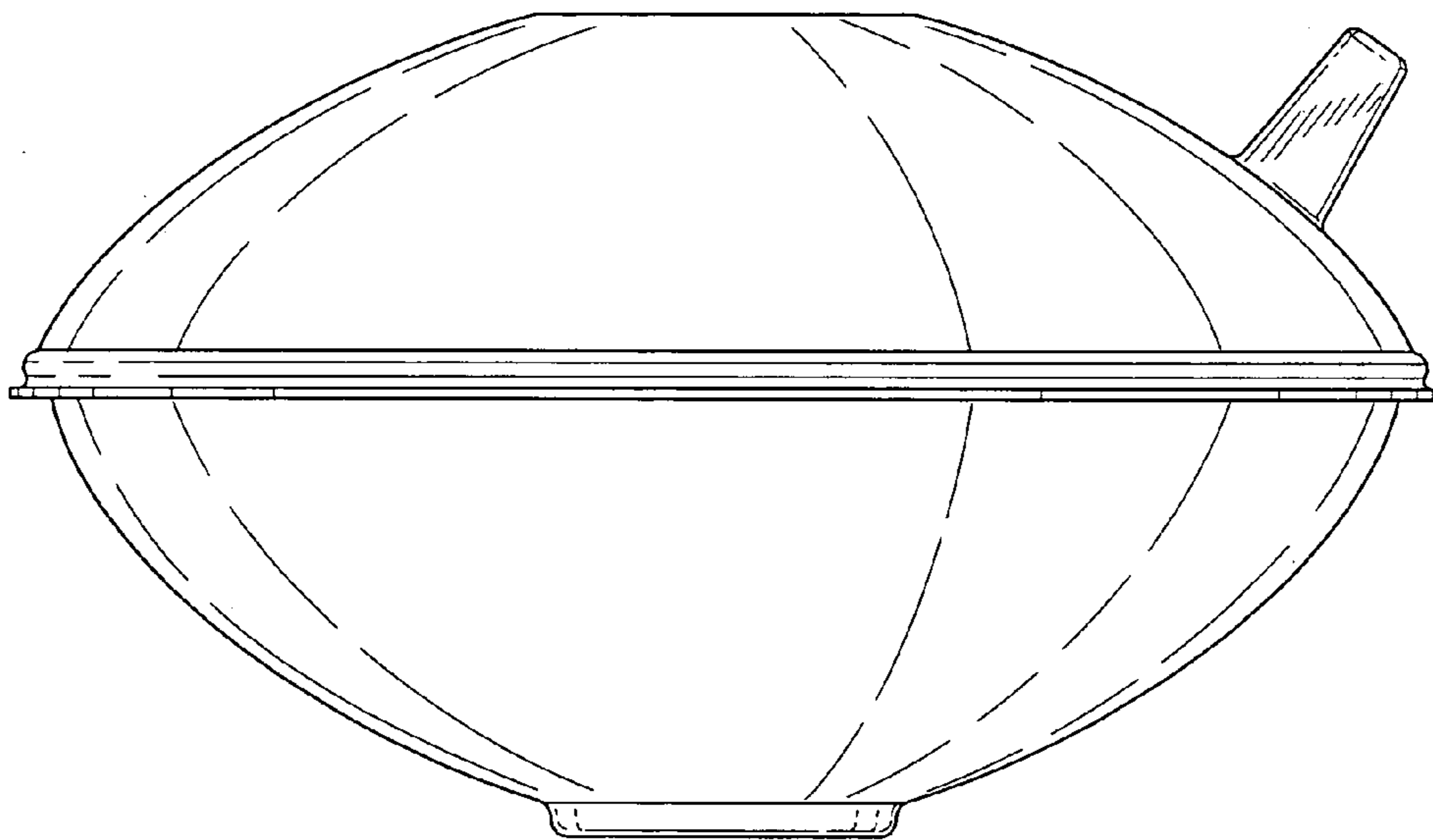


FIG. 5

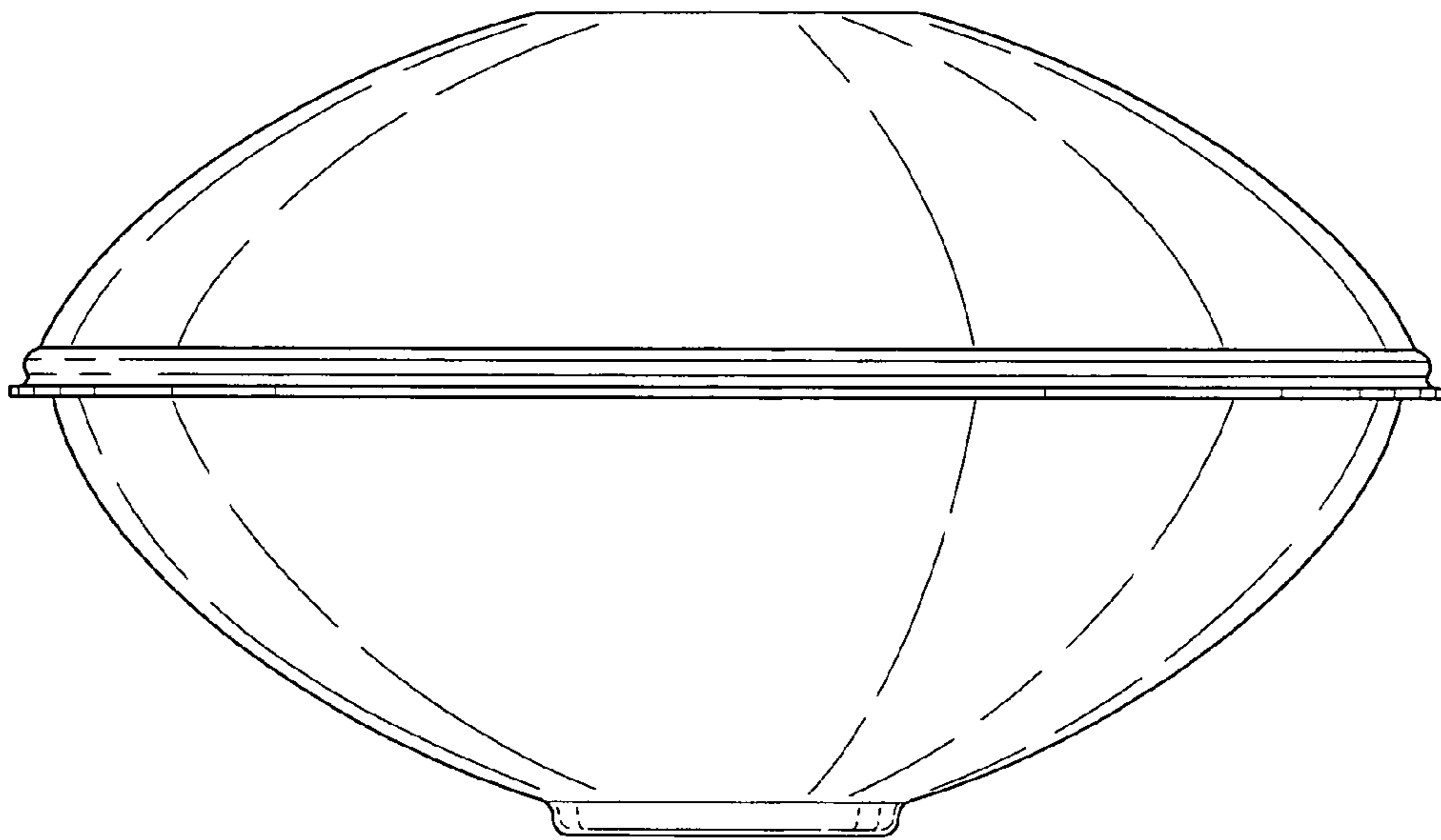


FIG. 6

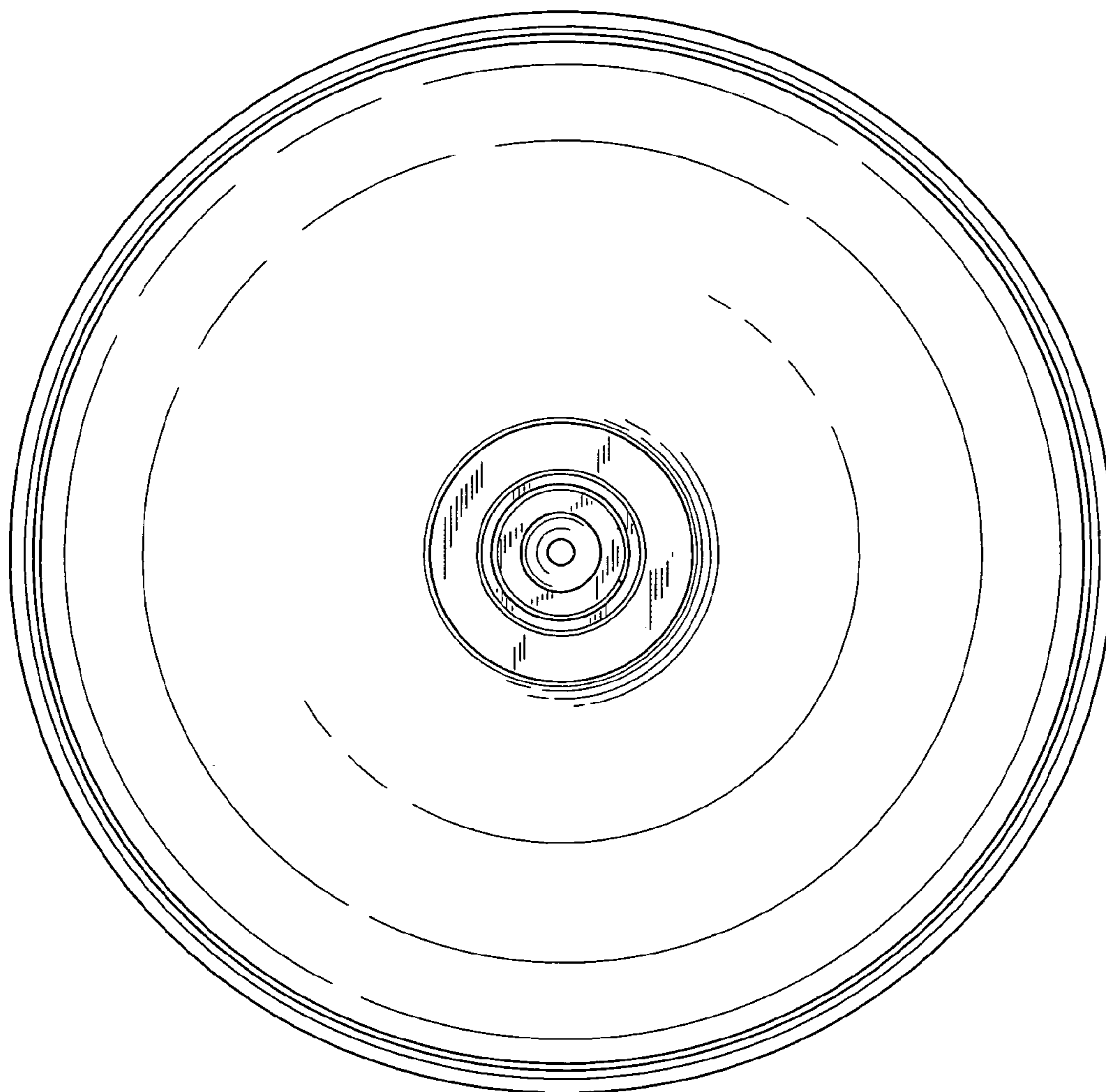


FIG. 7

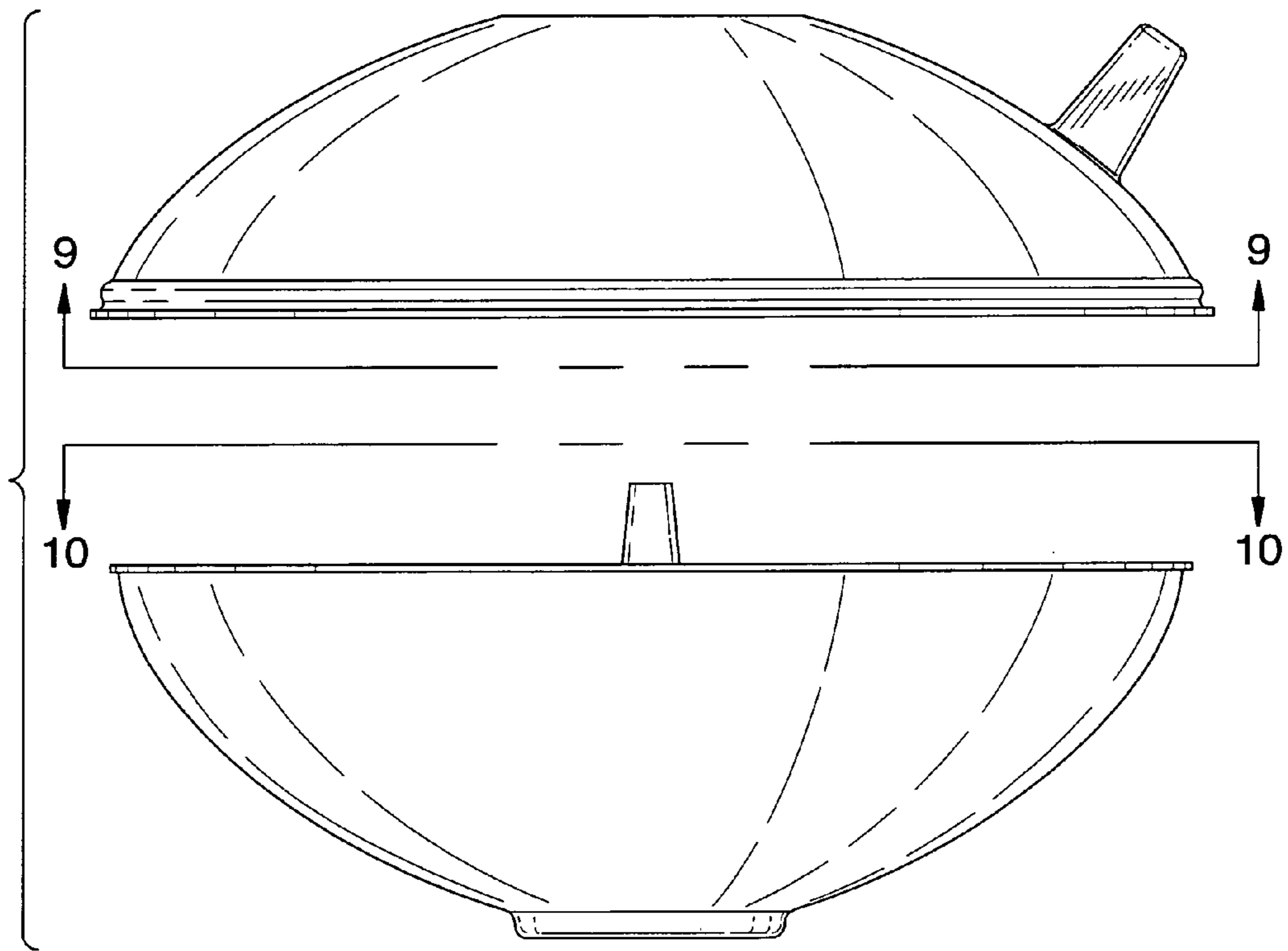


FIG. 8

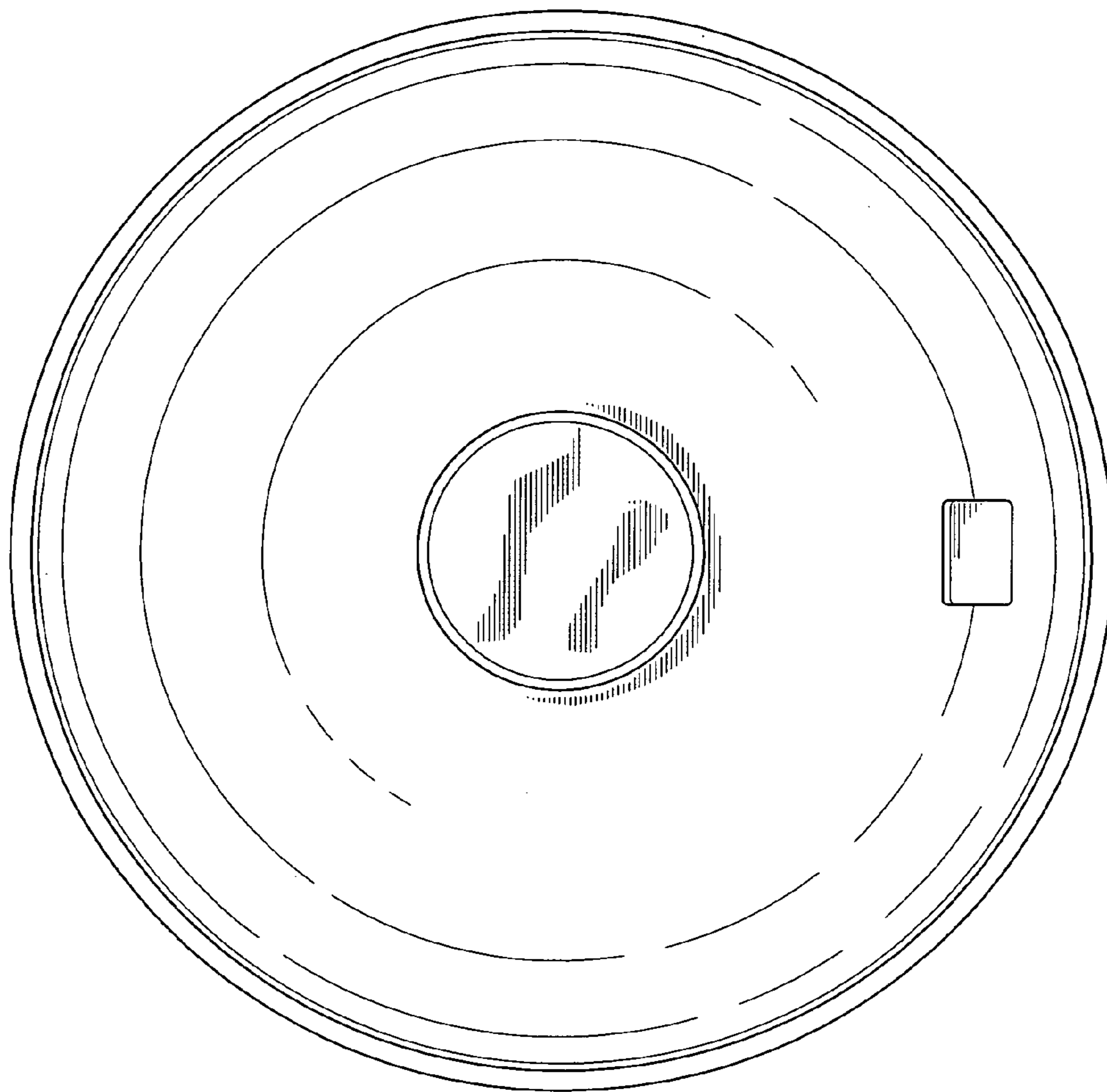


FIG. 9

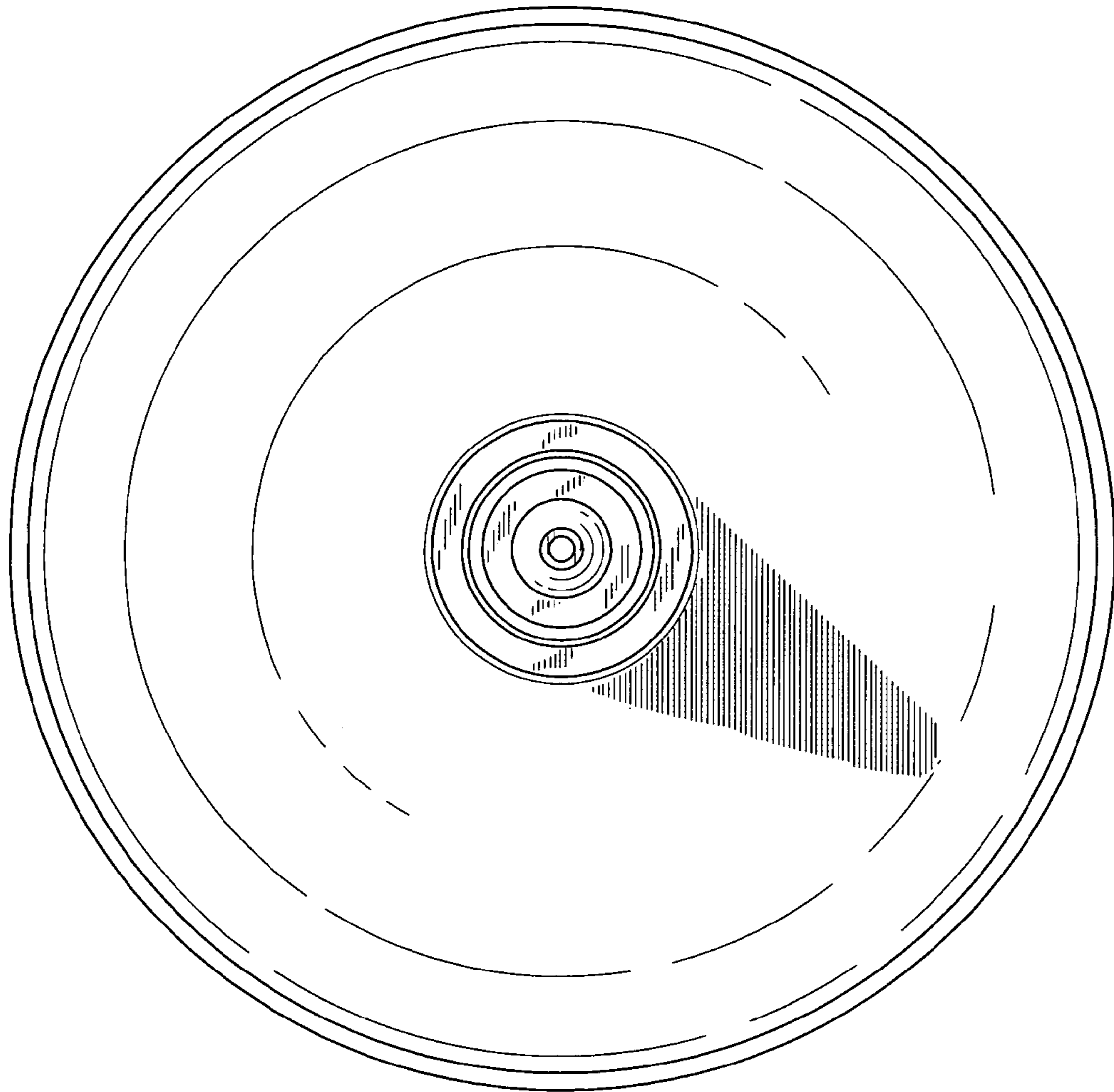


FIG. 10

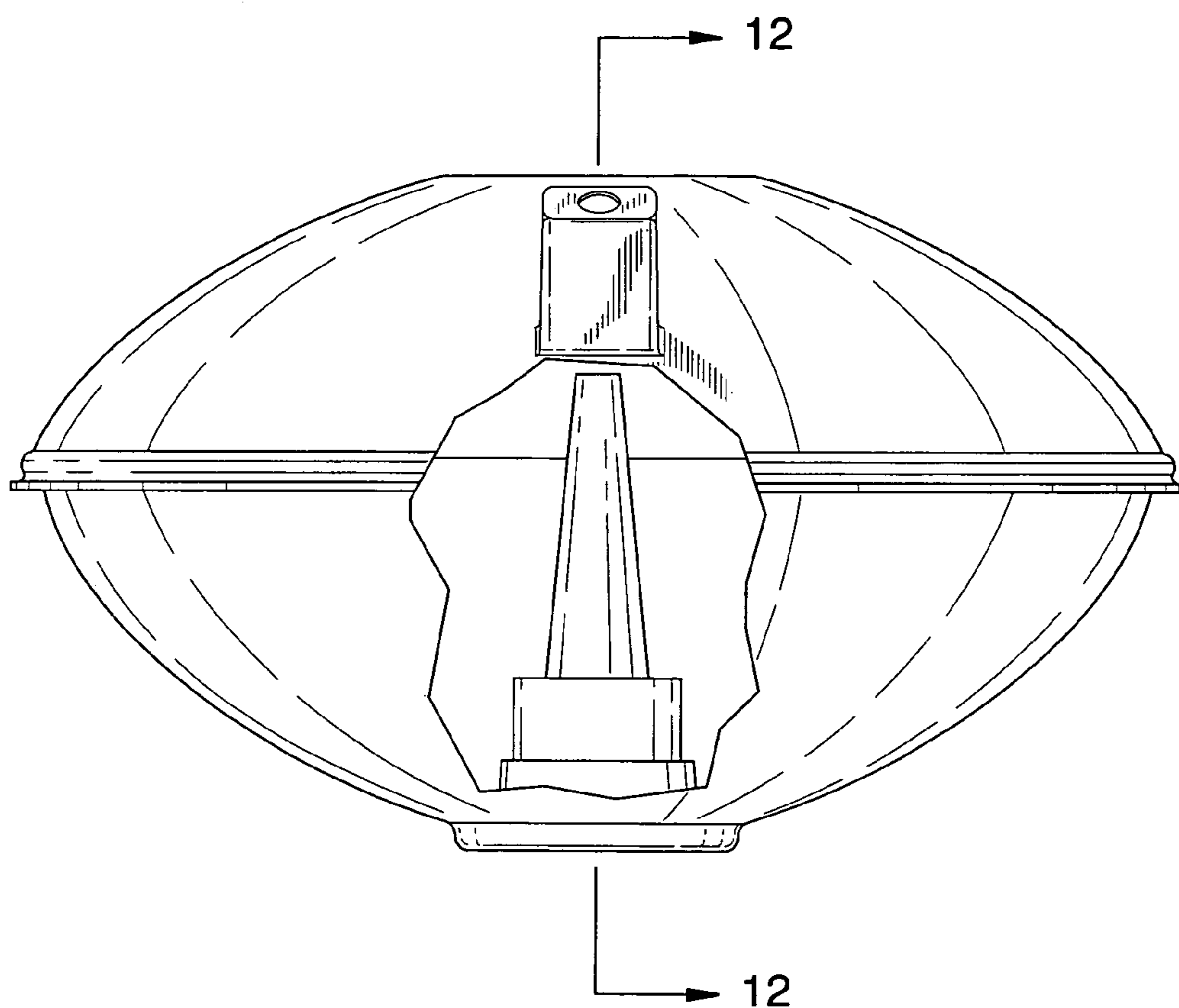


FIG. 11

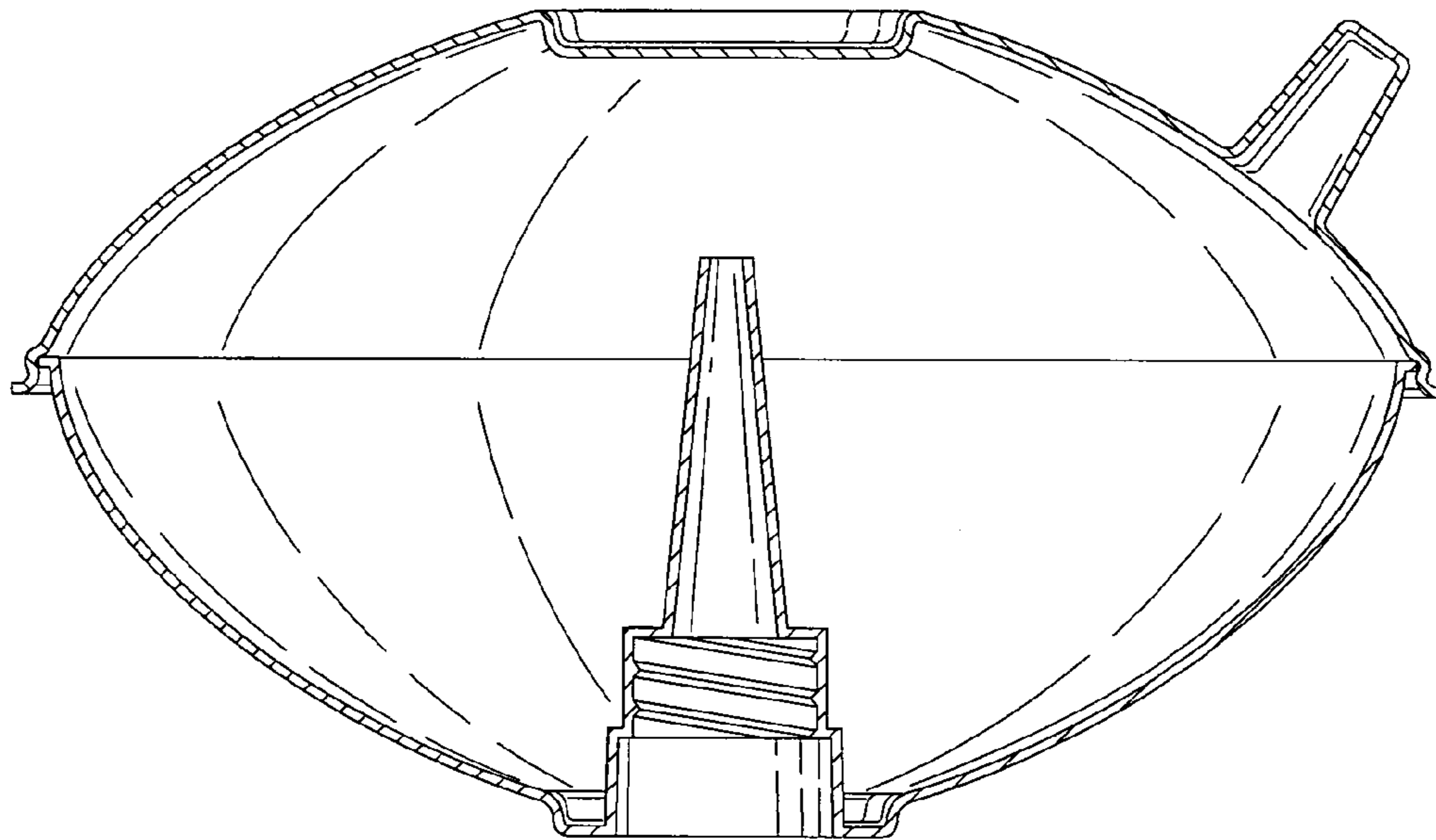


FIG. 12

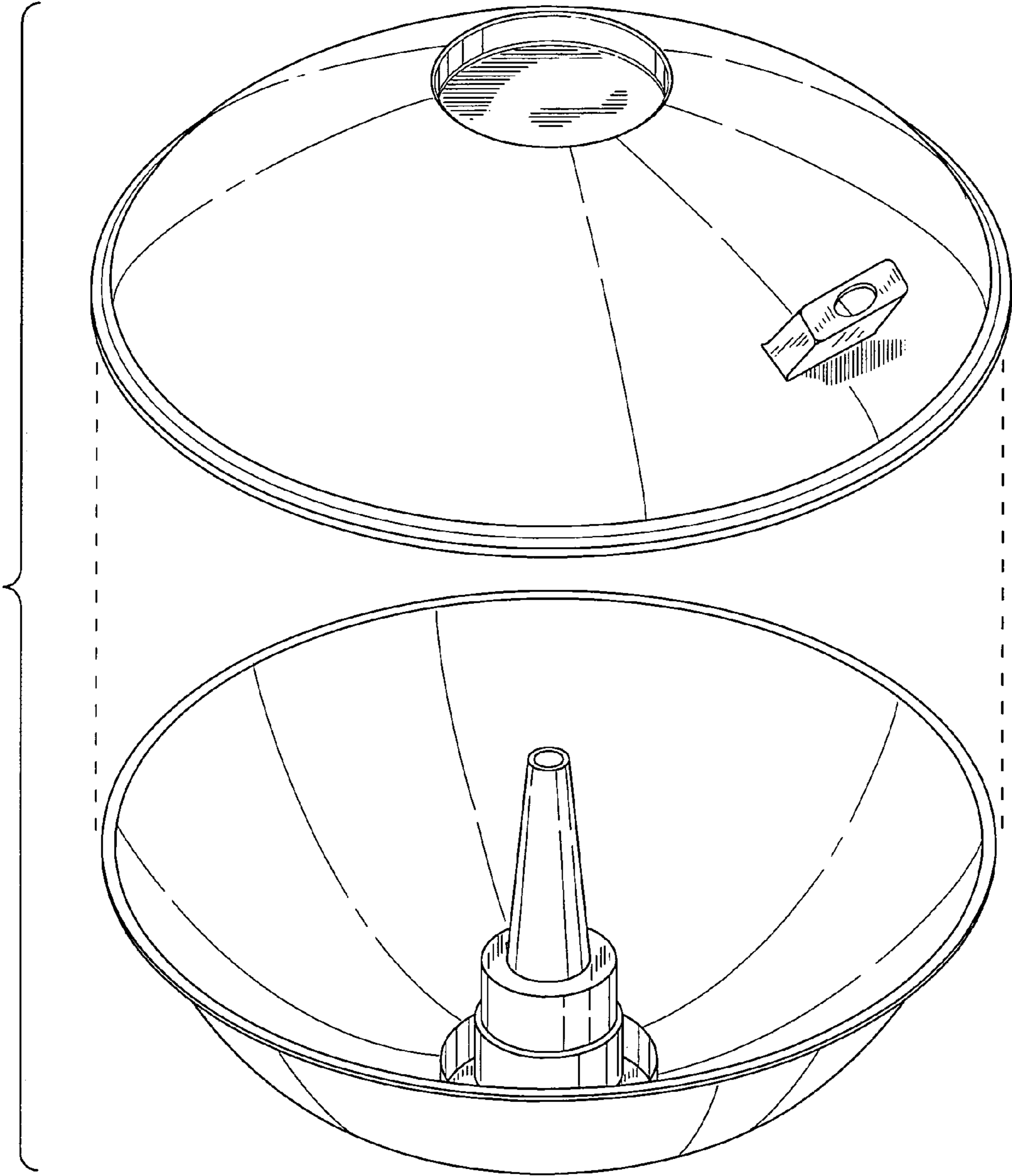


FIG. 13