



US00D640085S

(12) **United States Design Patent**
Appleton

(10) **Patent No.:** **US D640,085 S**

(45) **Date of Patent:** **** Jun. 21, 2011**

(54) **COFFEE POT**

(75) **Inventor:** **Alison Appleton**, North Wales (GB)

(73) **Assignee:** **The Greenfield Group Limited**, North Wales (GB)

(**) **Term:** **14 Years**

(21) **Appl. No.:** **29/362,481**

(22) **Filed:** **May 26, 2010**

(30) **Foreign Application Priority Data**

Nov. 27, 2009 (EP) 1181861-0003

(51) **LOC (9) Cl.** **07-01**

(52) **U.S. Cl.** **D7/318; D7/317**

(58) **Field of Classification Search** D7/300,
D7/316-319, 312; 99/303, 279, 293, 285
See application file for complete search history.

(56) **References Cited**

U.S. PATENT DOCUMENTS

D38,504 S *	4/1907	Paroutaud	D7/317
D42,612 S *	6/1912	Sanford	D7/317
D165,827 S *	2/1952	Cowan	D7/319
3,935,804 A *	2/1976	Perez	99/293
4,038,914 A *	8/1977	Crespo et al.	99/279
4,491,040 A *	1/1985	Corona	81/3.09
4,557,187 A *	12/1985	DePonti	99/279

D299,105 S *	12/1988	Sun	D7/317
D377,291 S *	1/1997	Ahern, Jr.	D7/319
D399,384 S *	10/1998	Ranzoni	D7/318
5,894,785 A *	4/1999	Molinari	99/303
D504,046 S *	4/2005	Fuentes	D7/318
D532,244 S *	11/2006	Ancona	D7/318
D538,579 S *	3/2007	Ranzoni	D7/318
D540,609 S *	4/2007	Ranzoni	D7/318
D548,509 S *	8/2007	Ancona	D7/318
D552,418 S *	10/2007	Ranzoni	D7/398
D591,549 S *	5/2009	Ranzoni	D7/318

* cited by examiner

Primary Examiner — Marianne Pandozzi

(74) *Attorney, Agent, or Firm* — Notaro, Michalos & Zaccaria P.C.

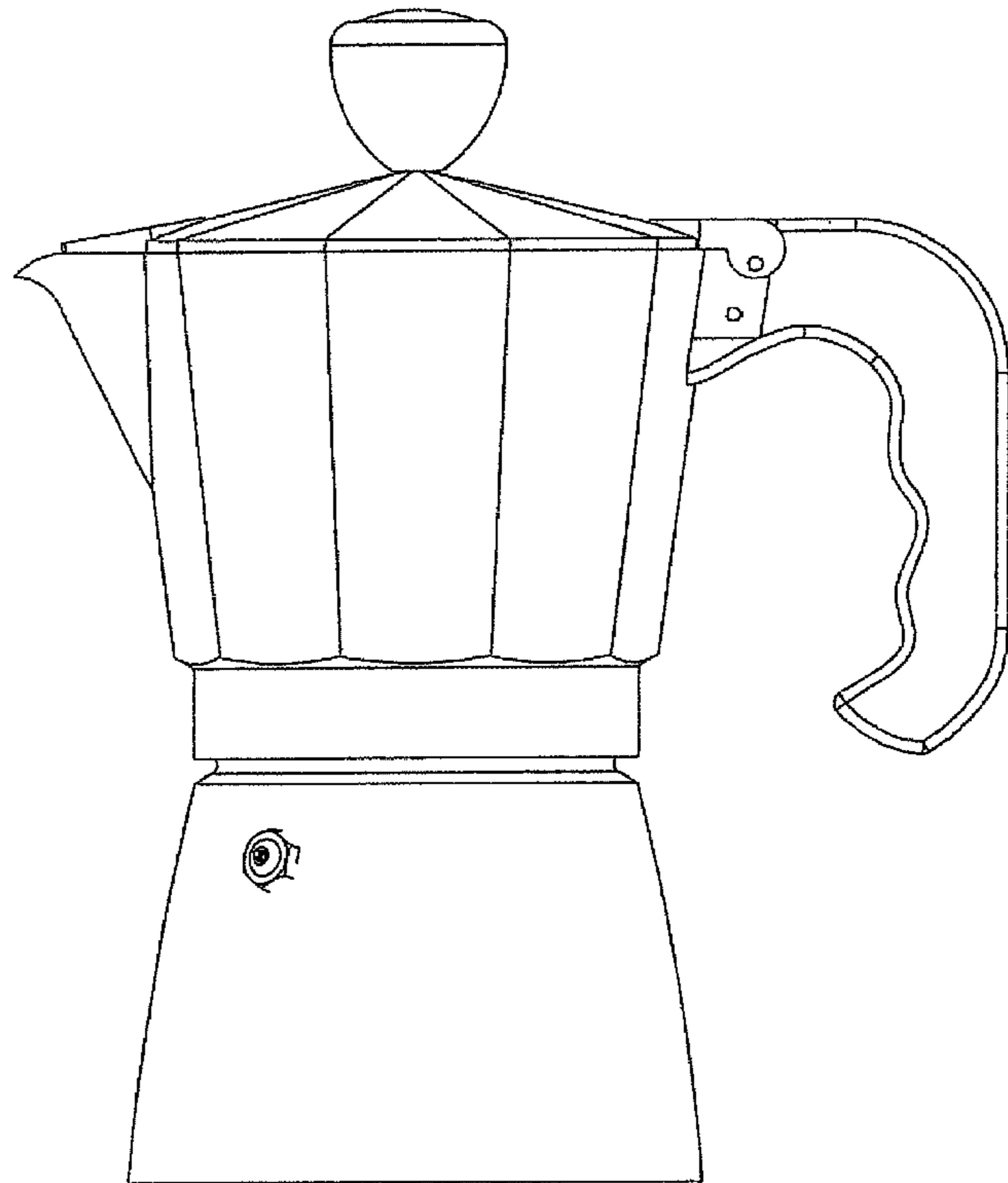
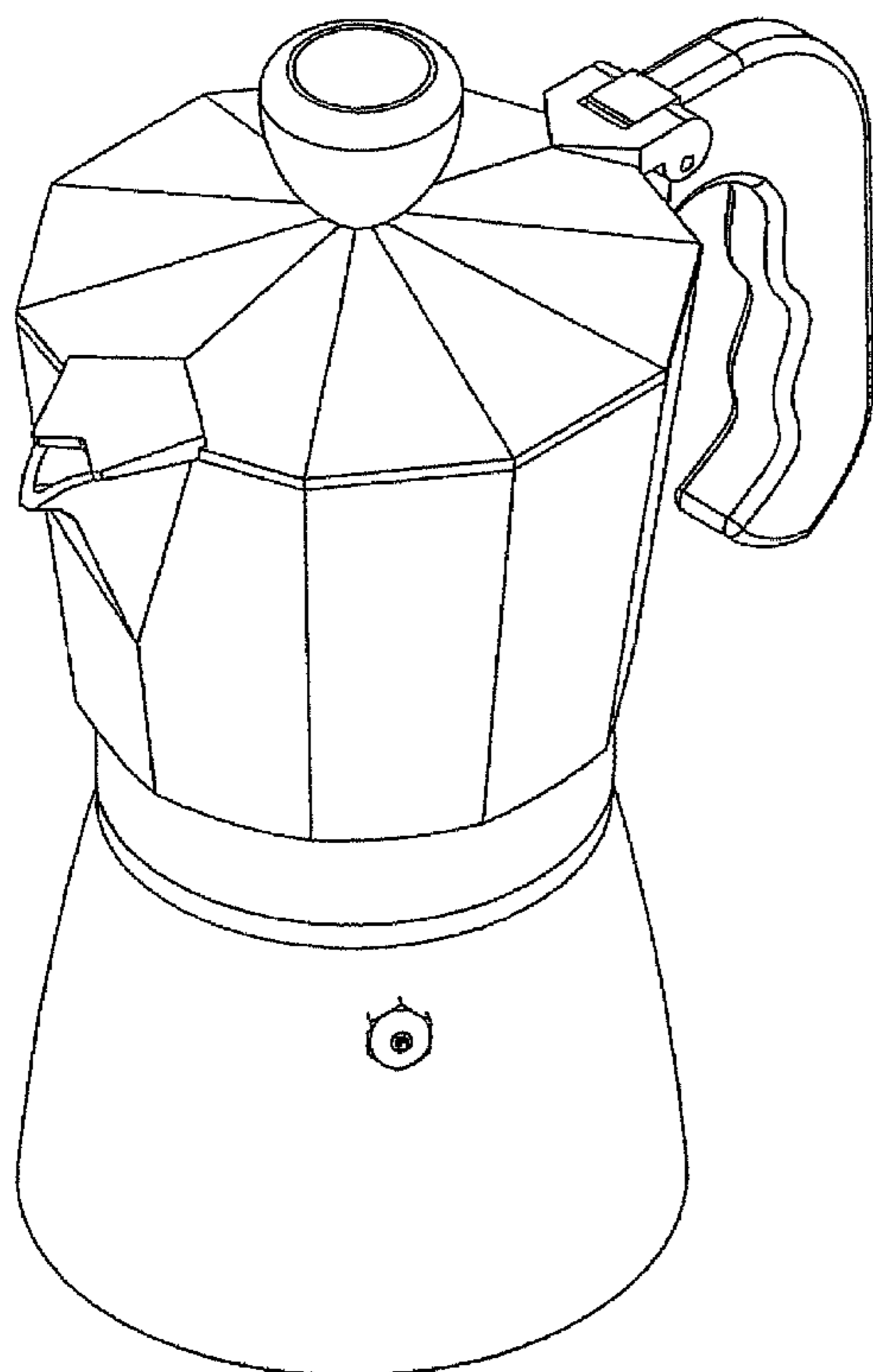
(57) **CLAIM**

The ornamental design for a coffee pot, as shown and described.

DESCRIPTION

FIG. 1 is a top front right perspective view of a teapot showing my new design therefor;
FIG. 2 is a right elevational view thereof;
FIG. 3 is a rear elevational view thereof;
FIG. 4 is a left elevational view thereof;
FIG. 5 is a front elevational view thereof;
FIG. 6 is a top plan view thereof; and,
FIG. 7 is a bottom plan view thereof.

1 Claim, 7 Drawing Sheets



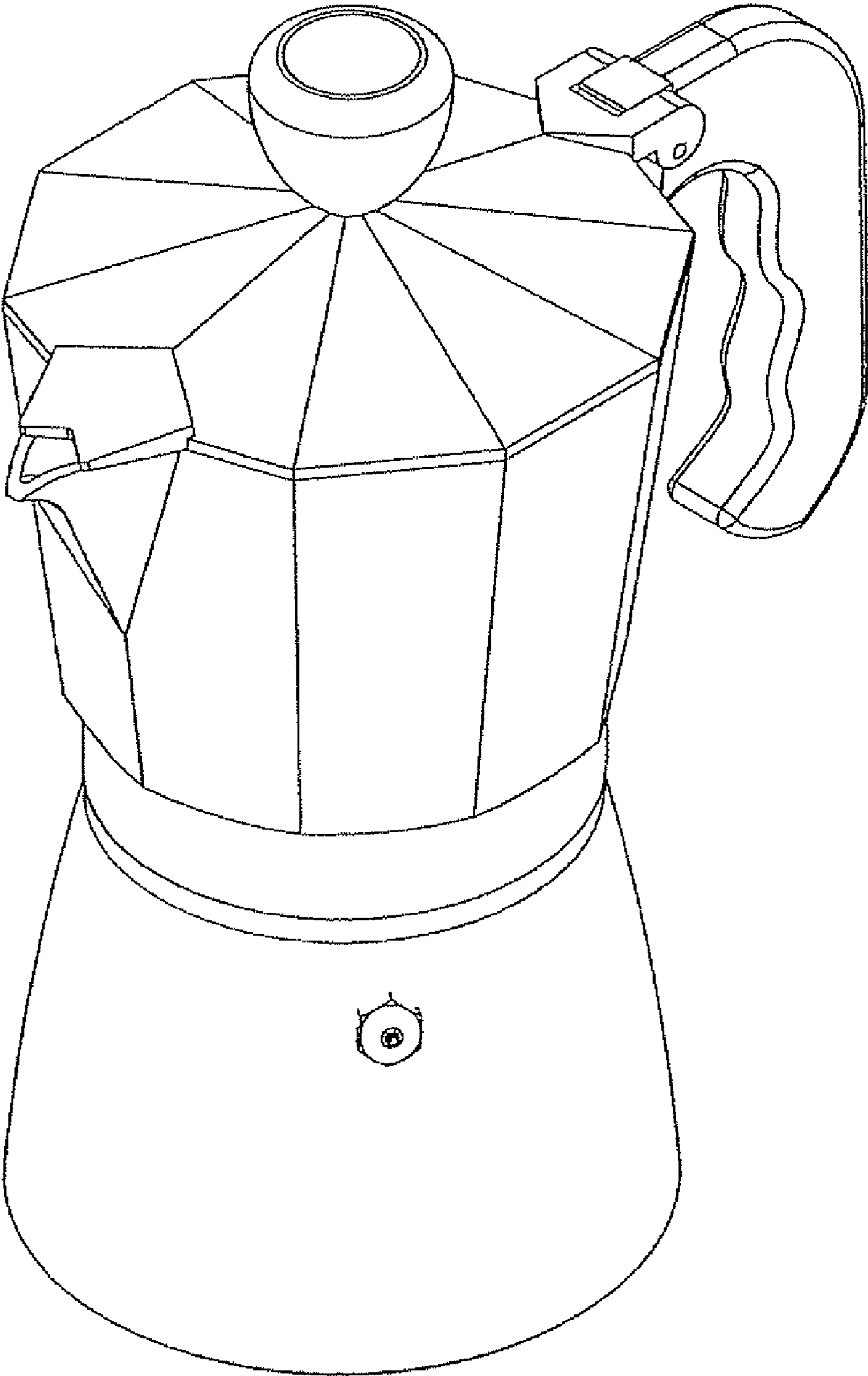


FIG. 1

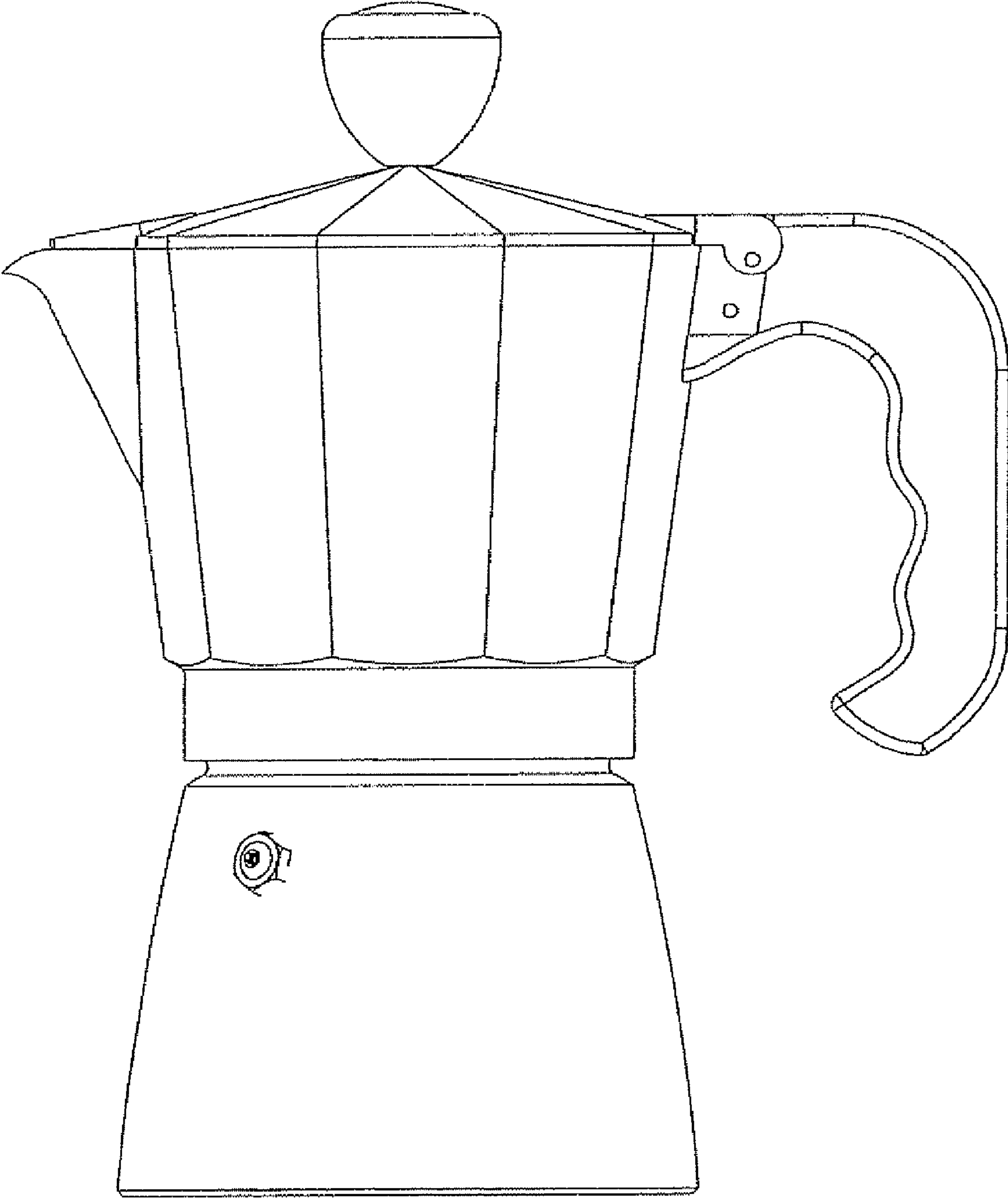


FIG. 2

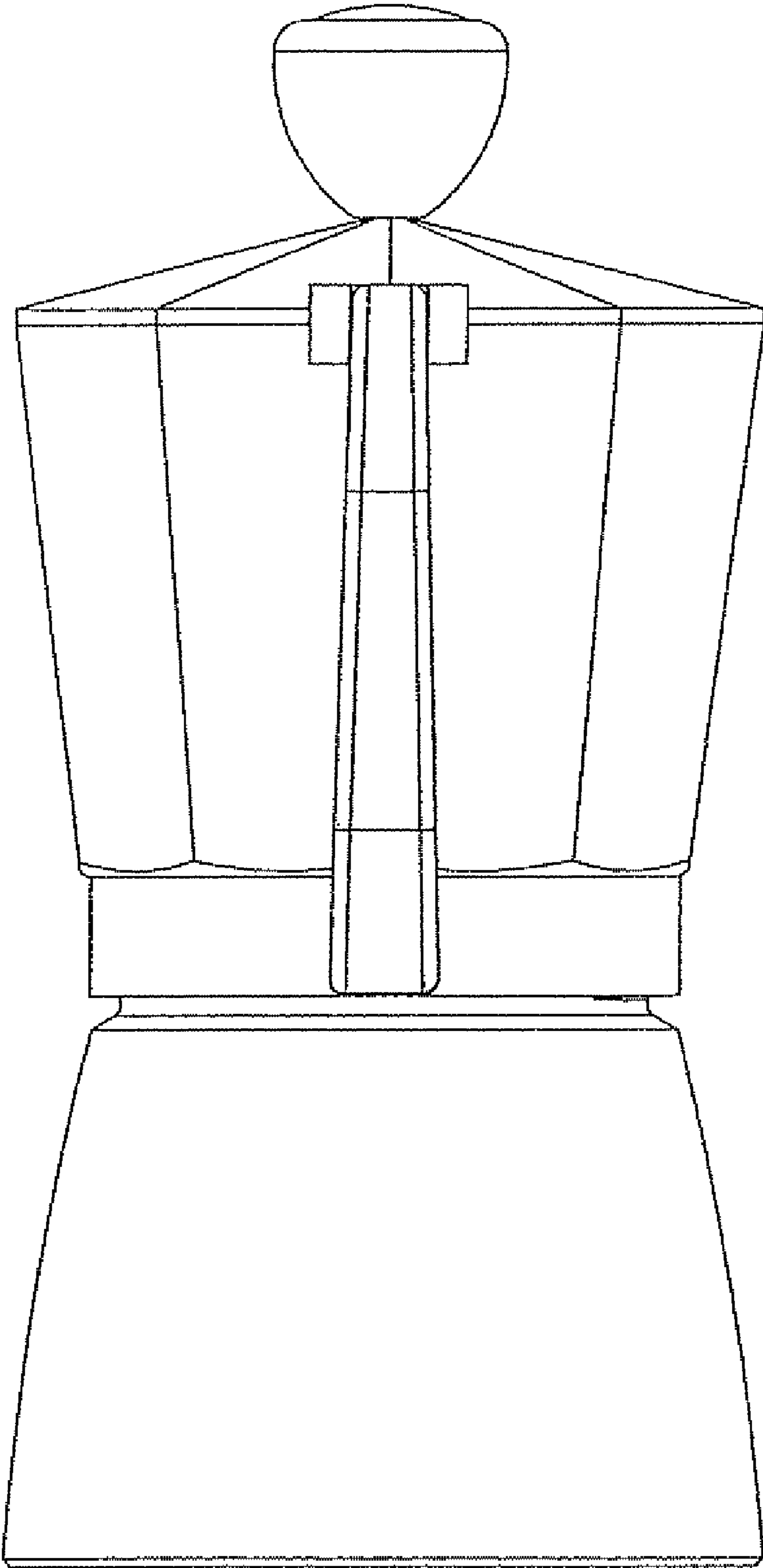


FIG. 3

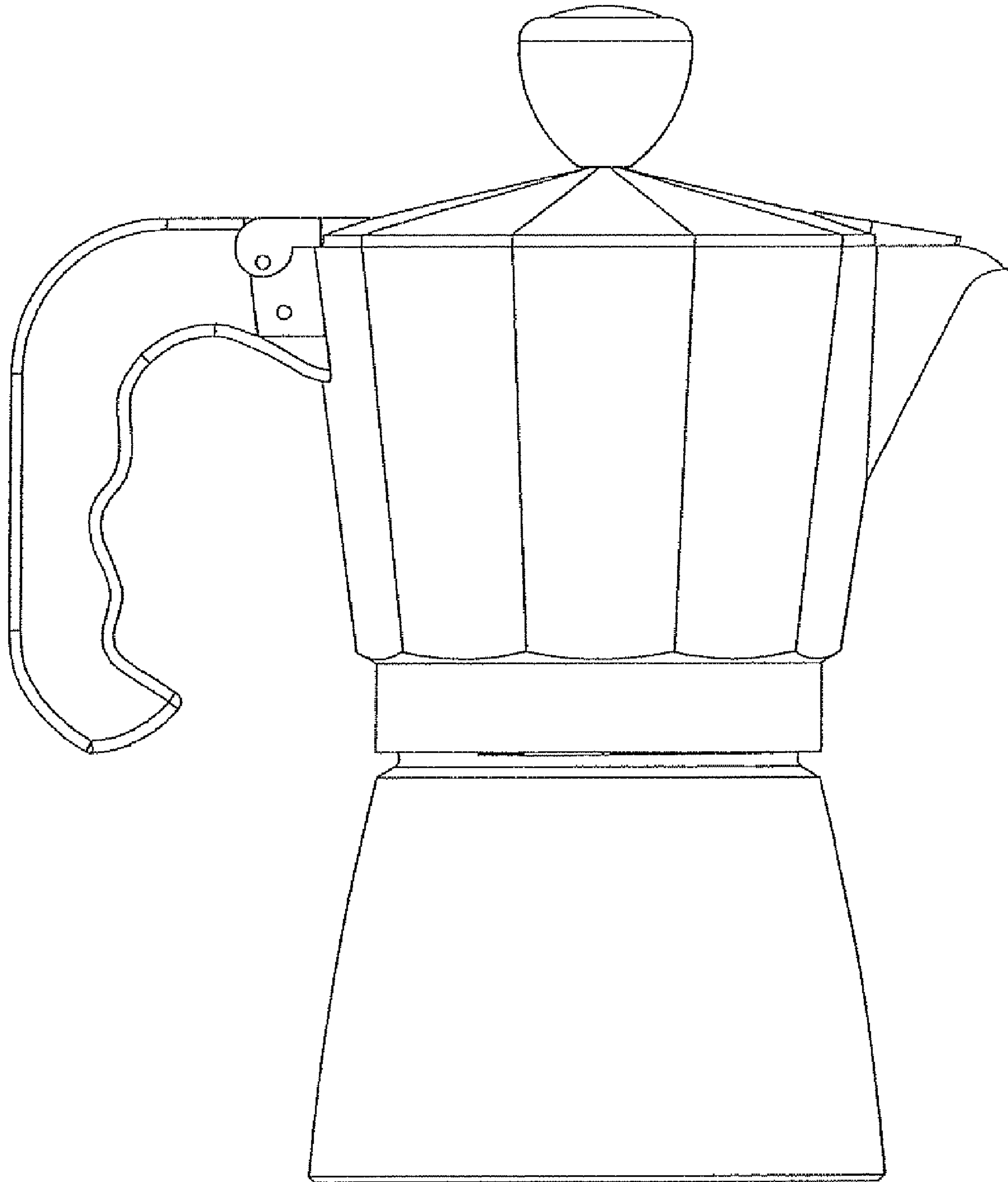


FIG. 4

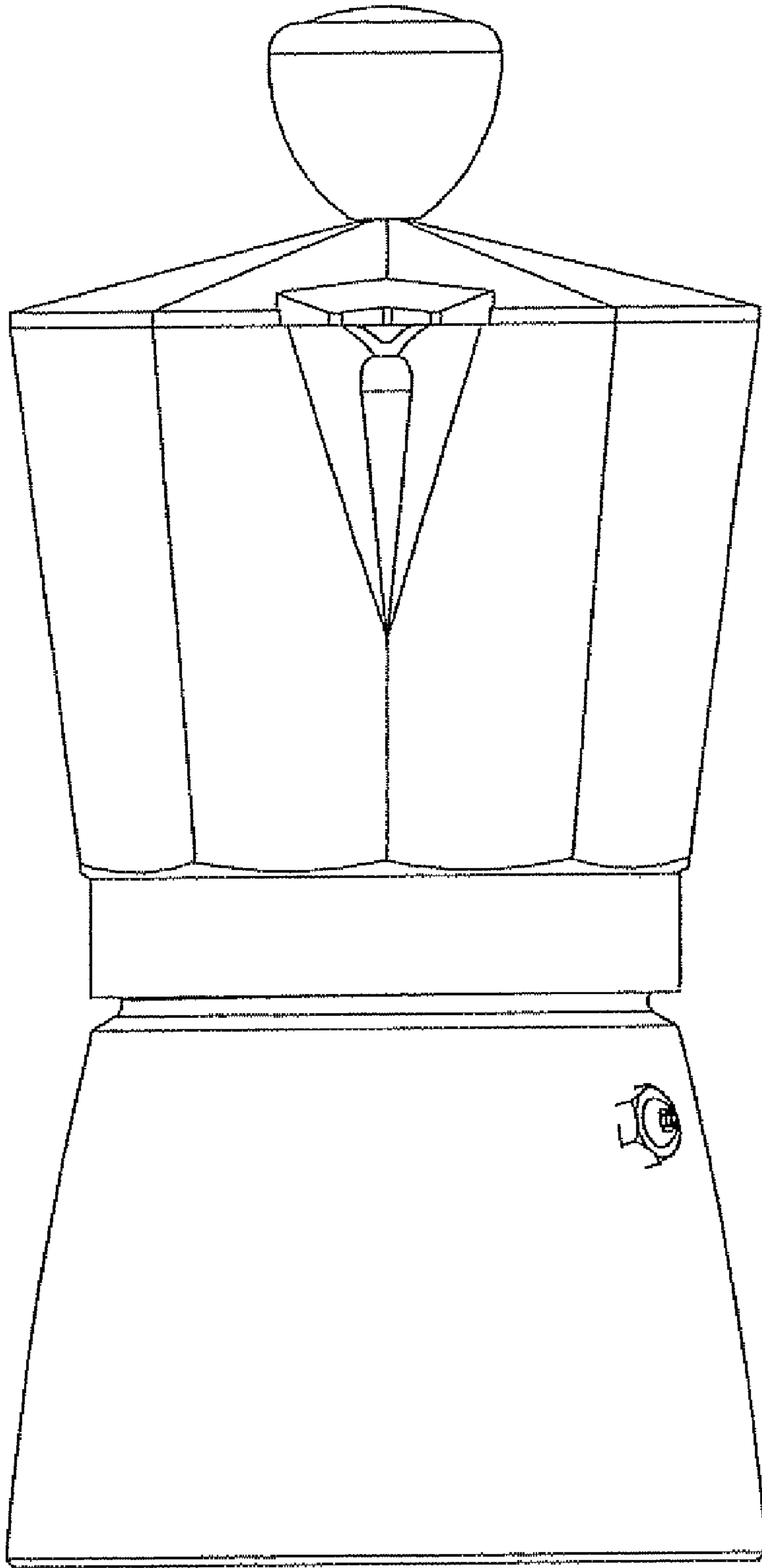


FIG. 5

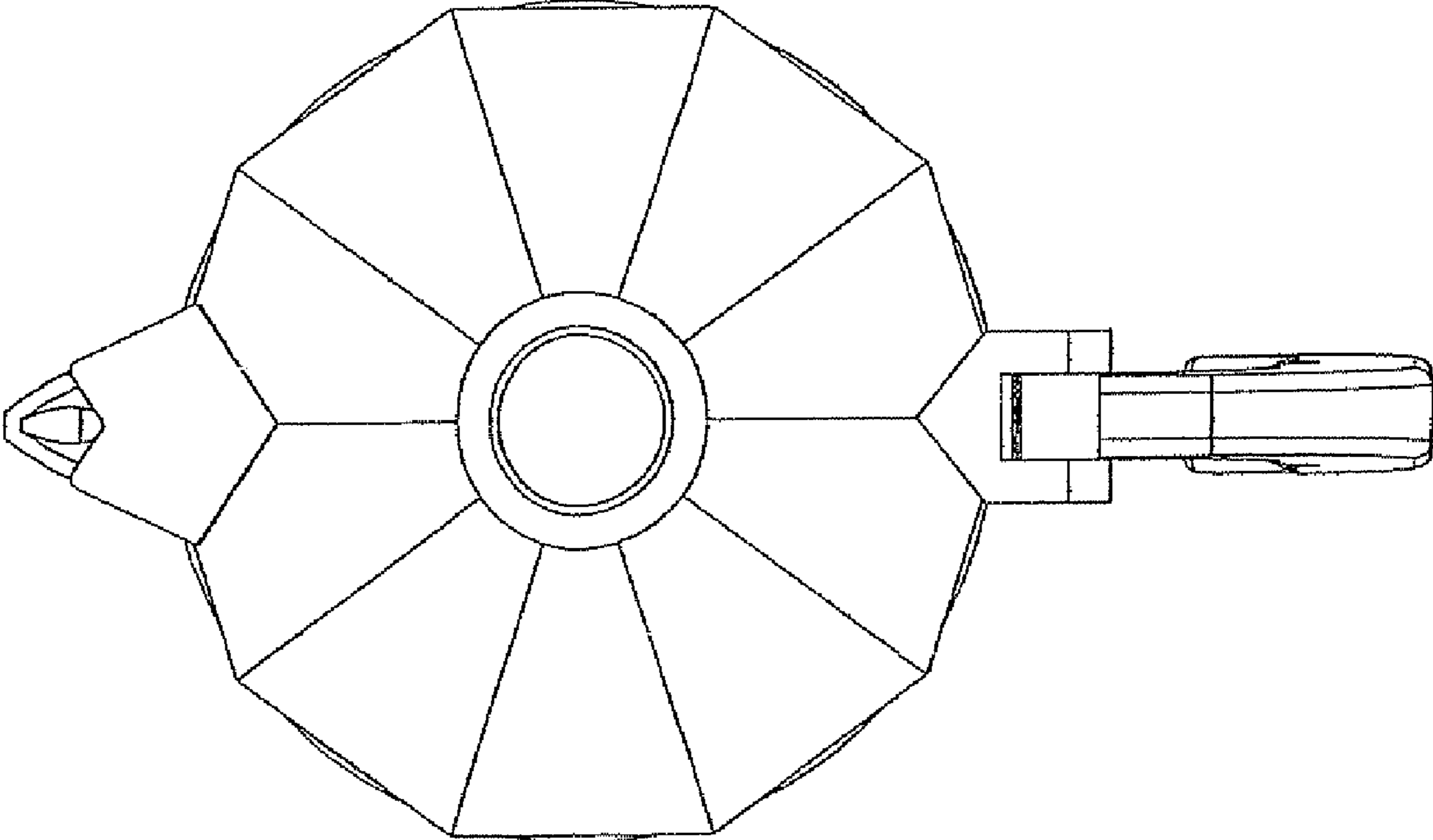


FIG. 6

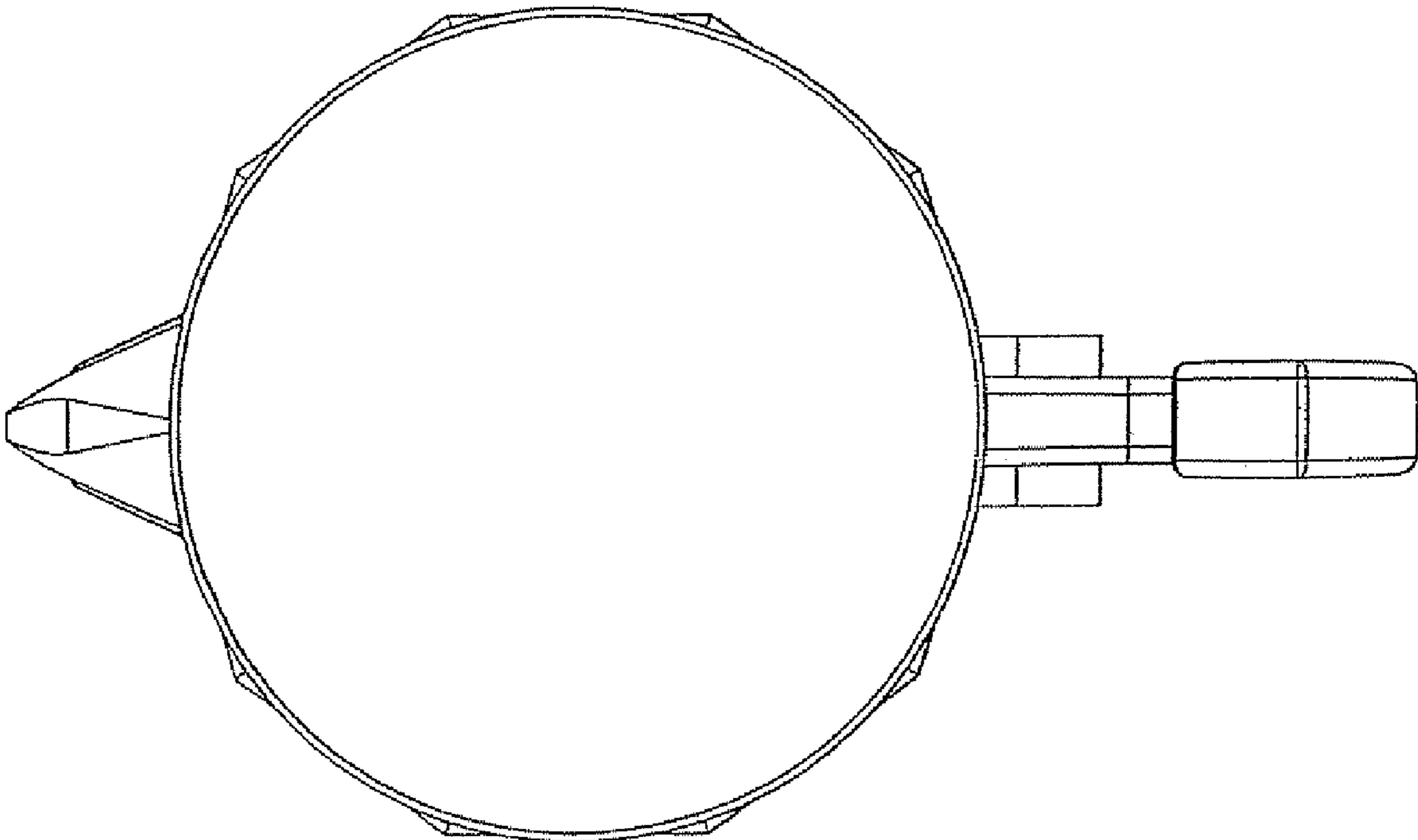


FIG. 7