



US00D640083S

(12) **United States Design Patent**  
**Davenport**

(10) **Patent No.:** **US D640,083 S**

(45) **Date of Patent:** **\*\* \*Jun. 21, 2011**

- (54) **ESPRESSO MACHINE**
- (75) Inventor: **David Davenport**, Lane Cove (AU)
- (73) Assignee: **Breville Pty Limited**, Botany, New South Wales (AU)
- (\*) Notice: This patent is subject to a terminal disclaimer.
- (\*\*) Term: **14 Years**
- (21) Appl. No.: **29/337,276**
- (22) Filed: **May 19, 2009**

D380,334 S *	7/1997	Lin	.....	D7/309
D385,455 S *	10/1997	Cortese	.....	D7/309
D431,750 S *	10/2000	Cahen	.....	D7/309
D431,751 S *	10/2000	Cahen	.....	D7/309
D449,198 S *	10/2001	Cahen	.....	
D449,199 S *	10/2001	Cahen	.....	D7/309
D449,488 S *	10/2001	Cahen	.....	D7/309
D496,213 S *	9/2004	Midden et al.	.....	D7/309
D510,675 S *	10/2005	Ball	.....	D7/306
D526,828 S *	8/2006	Jordana	.....	
D538,578 S *	3/2007	McWilliam	.....	
D556,494 S *	12/2007	Adachi	.....	
D556,495 S *	12/2007	Davenport	.....	D7/309
D575,977 S *	9/2008	Rose	.....	
D584,098 S *	1/2009	Webster et al.	.....	D7/309
D590,651 S *	4/2009	O'Loughlin	.....	
D593,356 S *	6/2009	Grassia	.....	D7/309
D597,781 S *	8/2009	Siu	.....	D7/309

\* cited by examiner

- (30) **Foreign Application Priority Data**
- Nov. 20, 2008 (AU) ..... 15499/2008
- (51) **LOC (9) Cl.** ..... **07-01**
- (52) **U.S. Cl.** ..... **D7/309; D7/310; D7/311**
- (58) **Field of Classification Search** ..... D7/300,  
D7/397, 398, 306-311; 99/279.298, 300,  
99/285, 298 R, 280
- See application file for complete search history.

*Primary Examiner* — Marianne Pandozzi  
(74) *Attorney, Agent, or Firm* — Molins & Co.

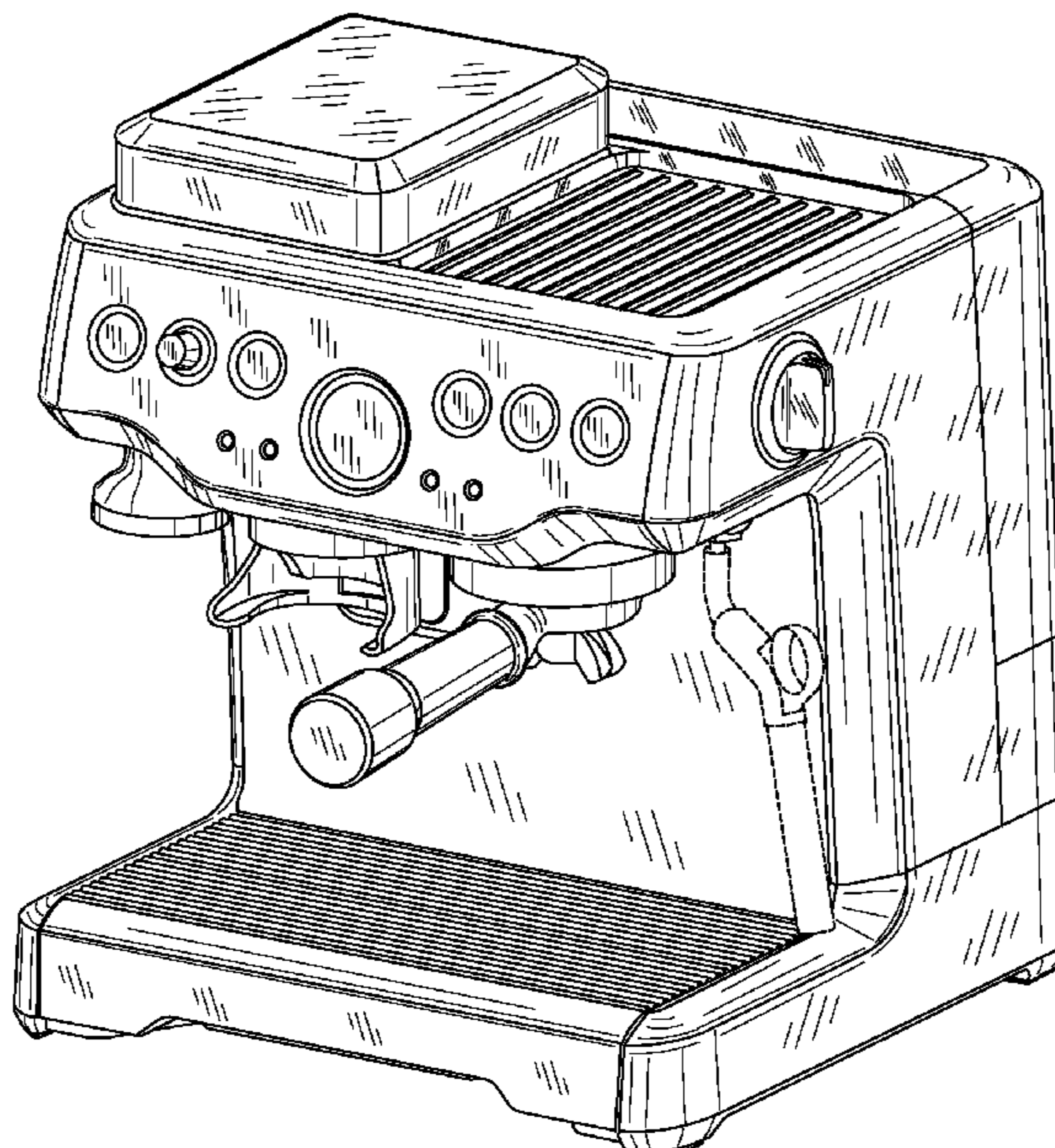
(57) **CLAIM**  
The ornamental design for an espresso machine, as shown and described.

**DESCRIPTION**

FIG. 1 is a front view of an espresso machine showing my new design;  
FIG. 2 is a left side view thereof;  
FIG. 3 is a back view thereof;  
FIG. 4 is a right side view thereof;  
FIG. 5 is a top plan view thereof;  
FIG. 6 is a bottom plan view thereof;  
FIG. 7 is a right side perspective thereof; and,  
FIG. 8 is a back perspective thereof.  
The broken lines in the drawings are for illustrative purposes only and form no part of the claimed design.

- (56) **References Cited**
- U.S. PATENT DOCUMENTS
- D238,115 S \* 12/1975 Marotta ..... D7/309
- D269,488 S \* 6/1983 Marotta ..... D7/309
- 4,917,005 A \* 4/1990 Knepler
- D323,949 S \* 2/1992 Kahlcke ..... D7/309
- D324,621 S \* 3/1992 Haslacher ..... D7/309
- D337,475 S \* 7/1993 Seiffert ..... D7/309
- D342,860 S \* 1/1994 Azpiri ..... D7/309
- D354,193 S \* 1/1995 Storsberg ..... D7/309
- D356,495 S \* 3/1995 Nilsson et al. .... D9/417
- D360,802 S \* 8/1995 Seiffert ..... D7/309
- D364,306 S \* 11/1995 Storsberg ..... D7/309

**1 Claim, 8 Drawing Sheets**



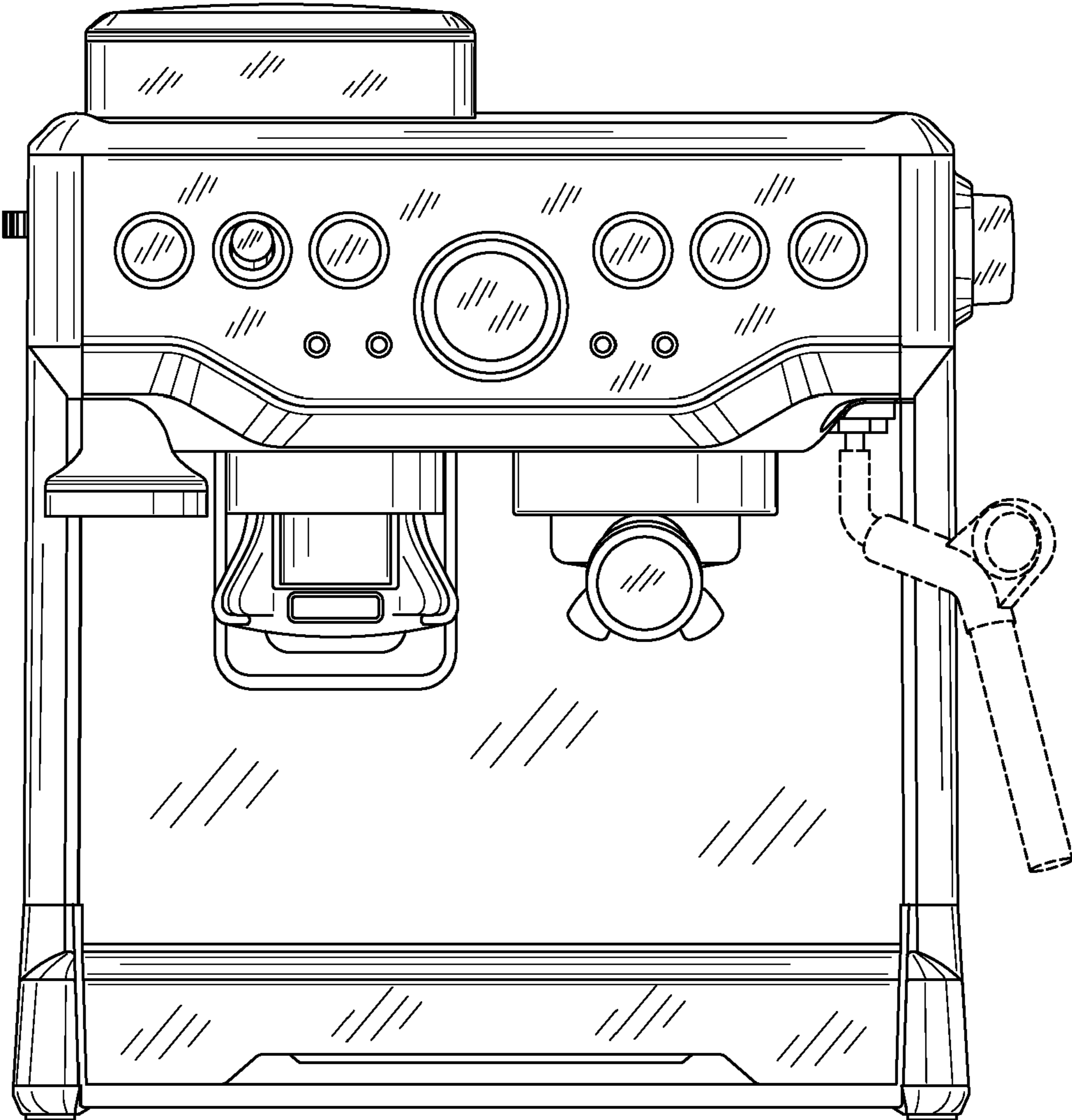


FIGURE 1

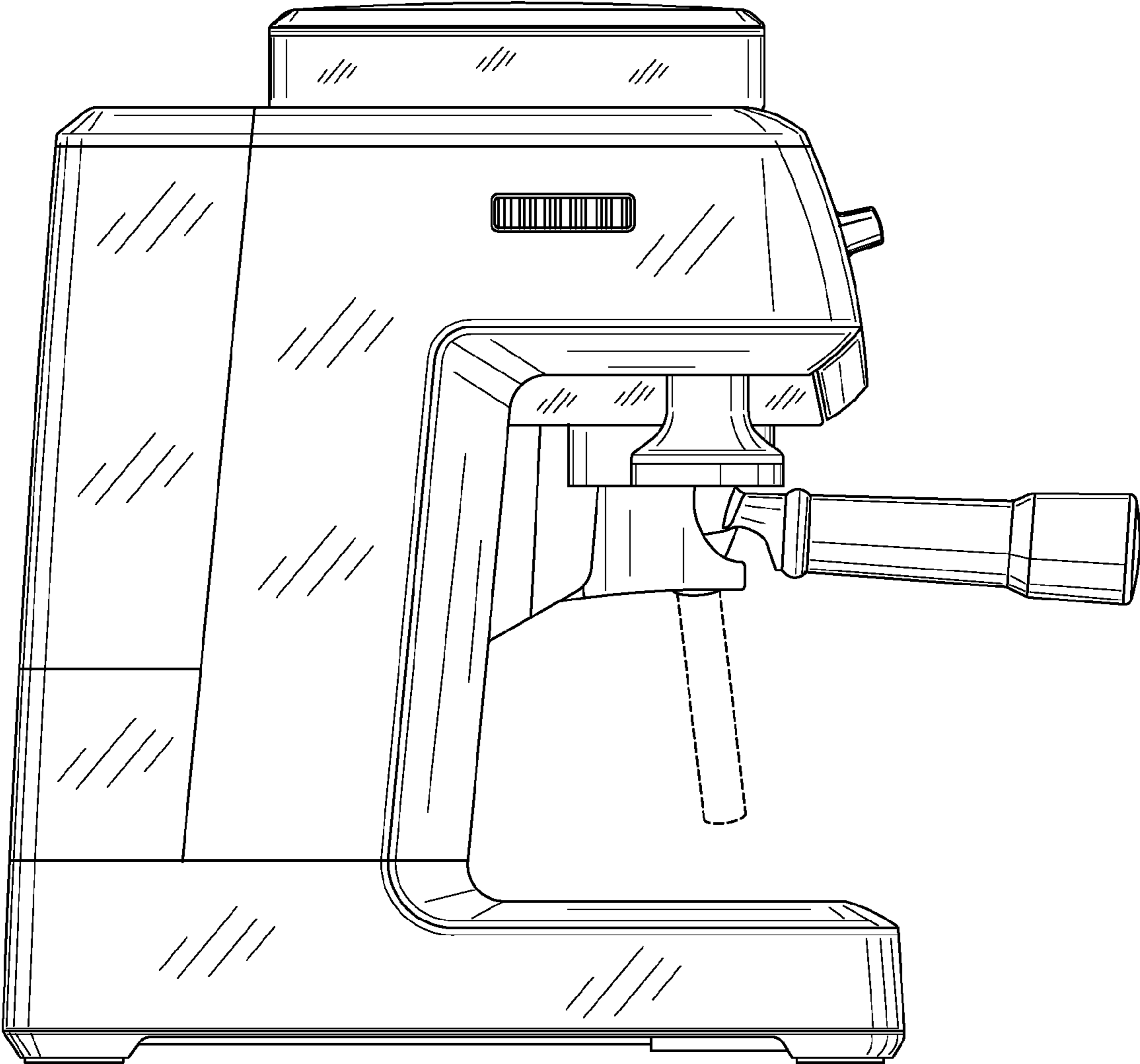


FIGURE 2

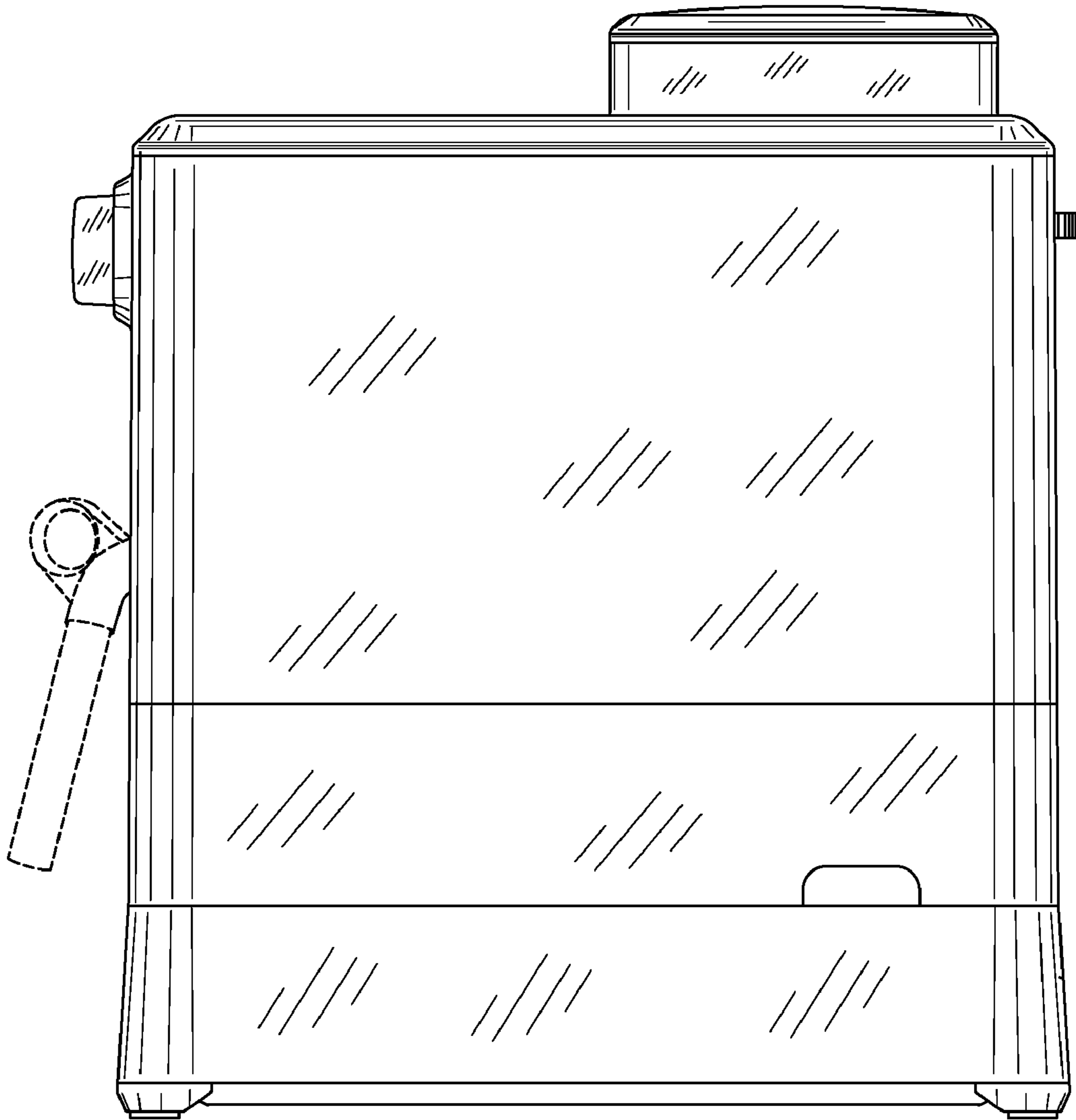


FIGURE 3

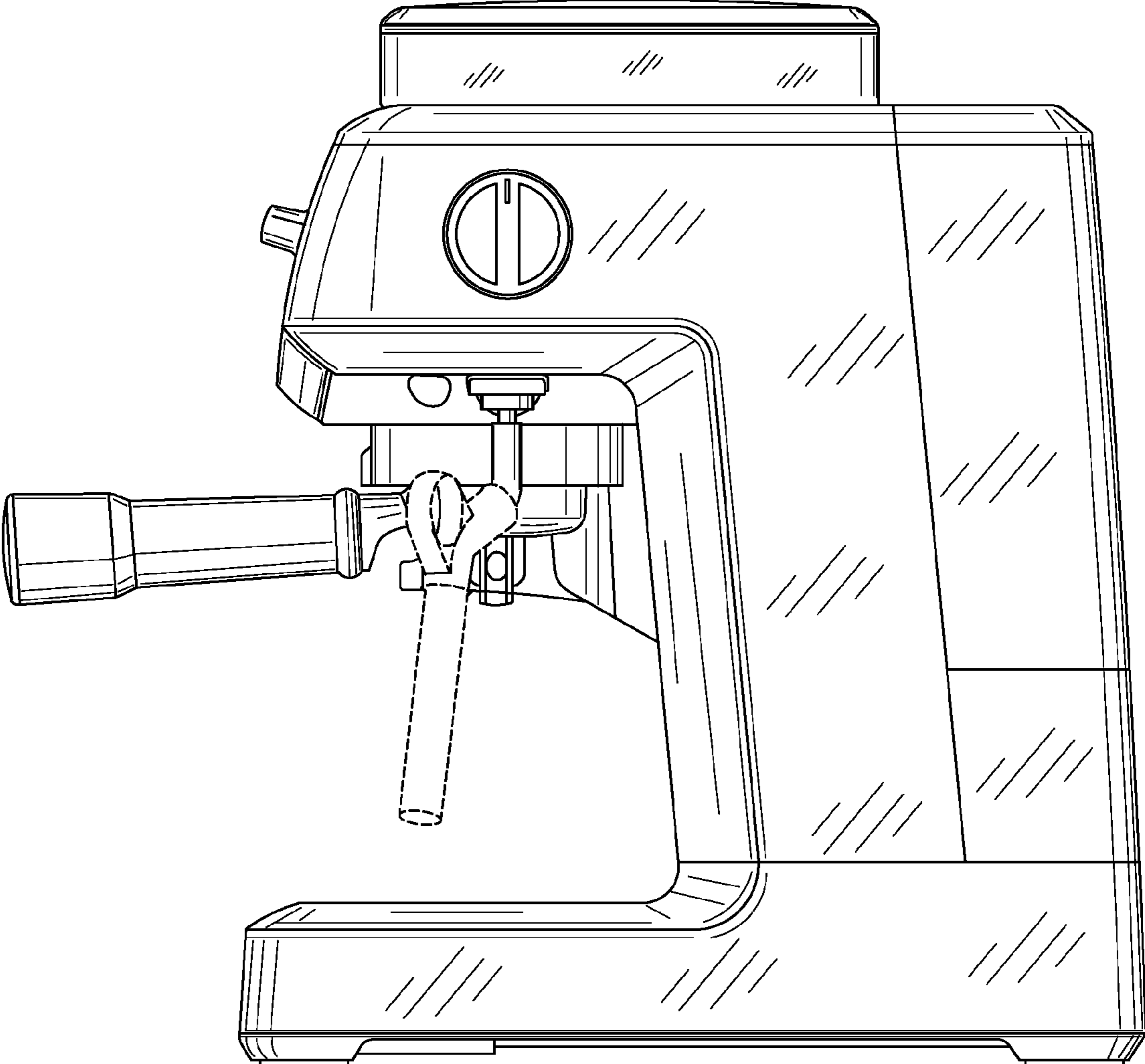


FIGURE 4

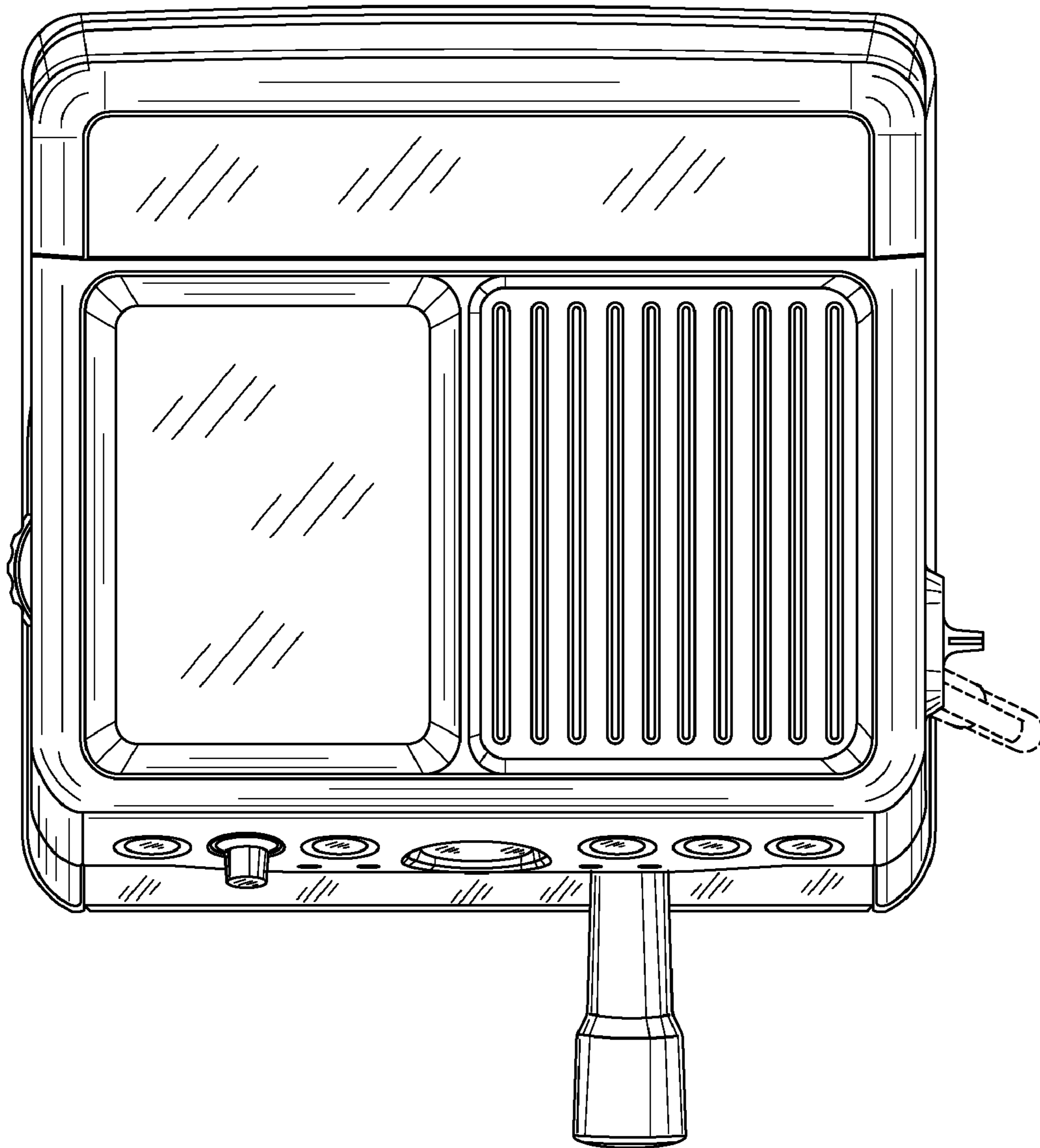


FIGURE 5

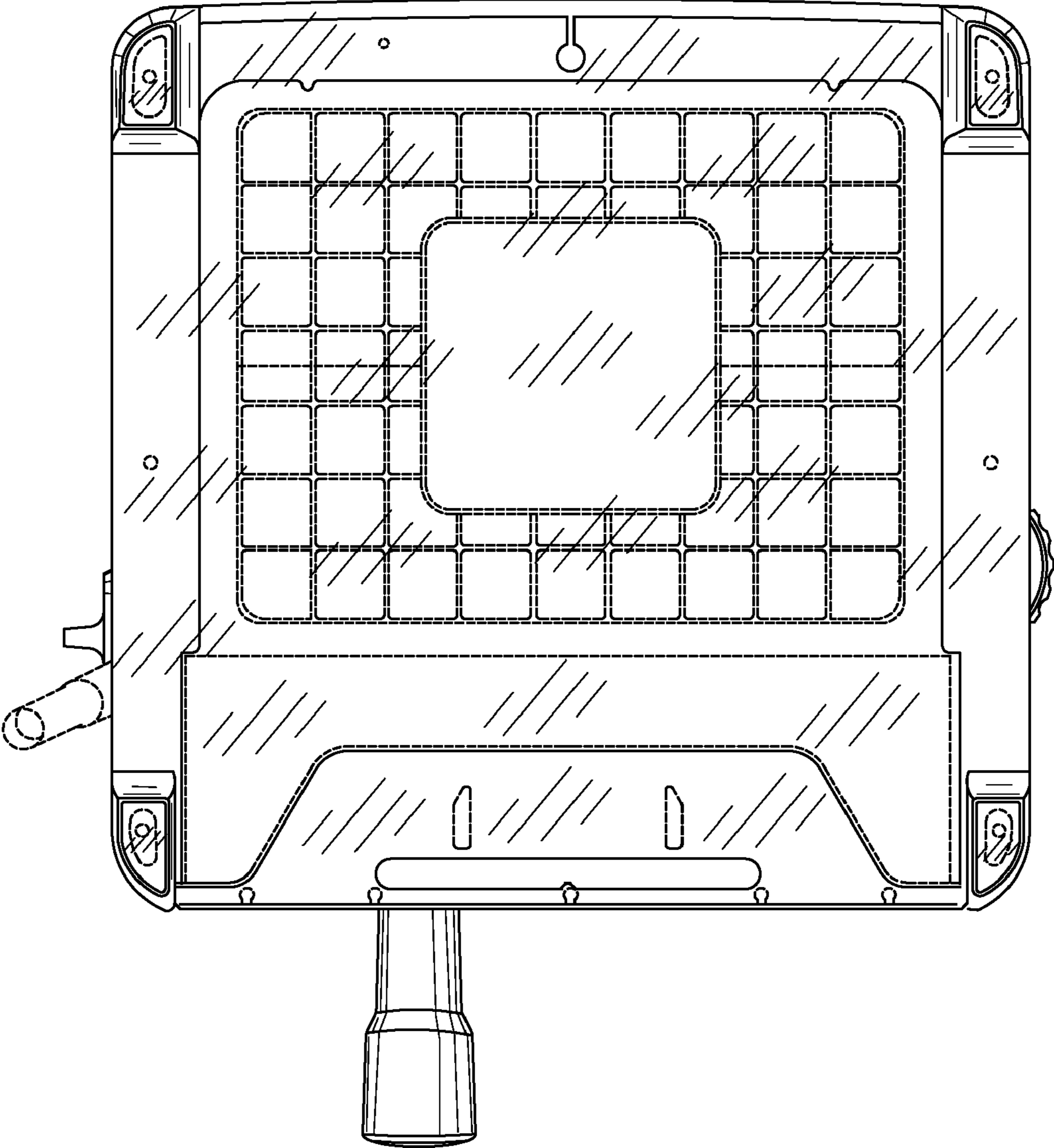


FIGURE 6

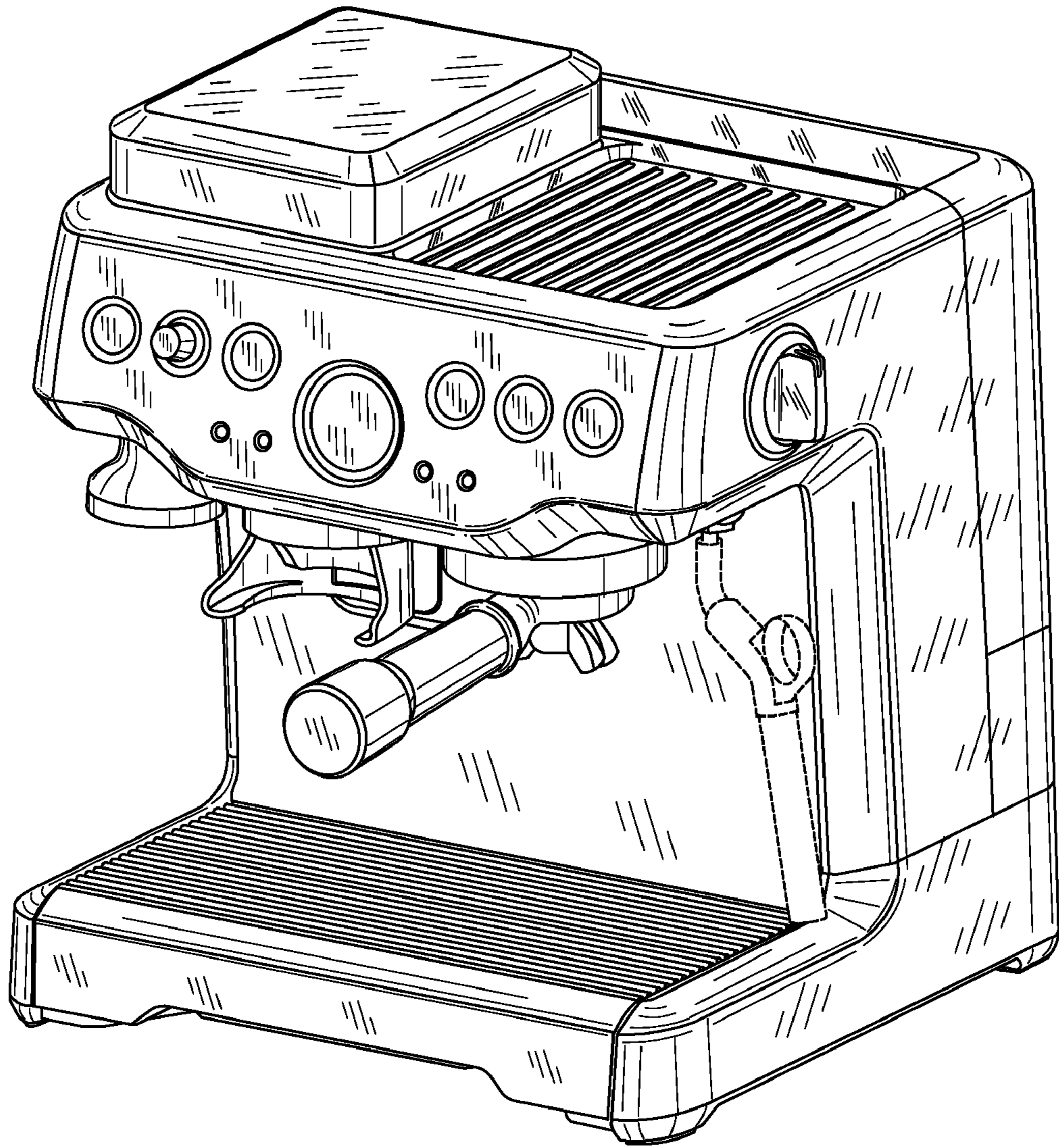


FIGURE 7



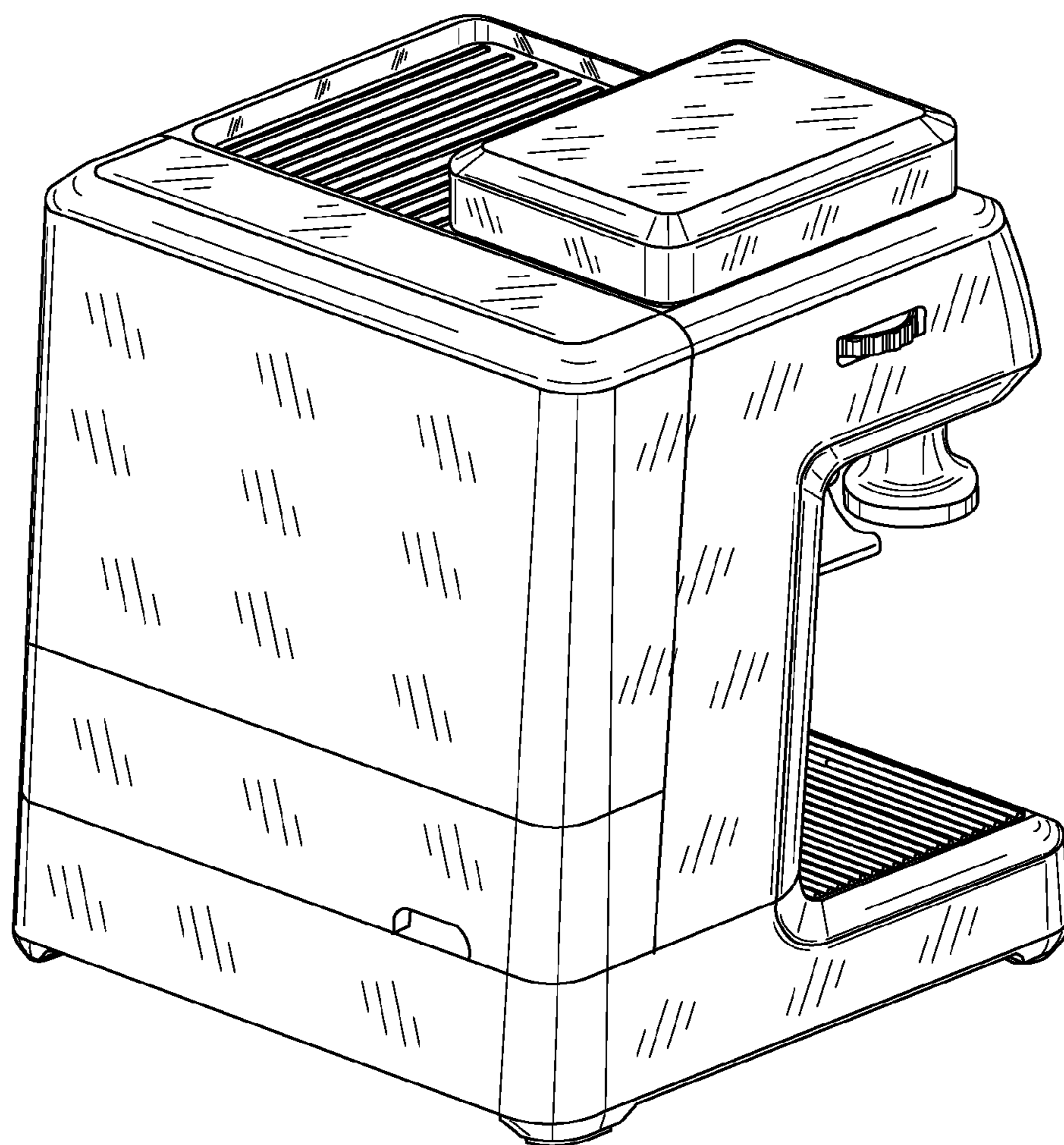


FIGURE 8