



US00D640081S

(12) **United States Design Patent**
Huddleston

(10) **Patent No.:** **US D640,081 S**

(45) **Date of Patent:** **** Jun. 21, 2011**

(54) **MOLDED FIRE EXTINGUISHER CABINET**

(57) **CLAIM**

The ornamental design for a novel molded fire extinguisher cabinet, as shown and described.

(75) Inventor: **Charles Huddleston**, Orlando, FL (US)

DESCRIPTION

(73) Assignee: **CATO 2007, Inc.**, Orlando, FL (US)

(**) Term: **14 Years**

(21) Appl. No.: **29/368,236**

(22) Filed: **Aug. 20, 2010**

(51) **LOC (9) Cl.** **06-04**

(52) **U.S. Cl.** **D6/559**

(58) **Field of Classification Search** D6/553,
D6/559, 560, 561, 329, 396, 442, 448, 436,
D6/437, 438, 439, 444, 445, 446; 312/209,
312/234, 224, 225, 242, 245; 206/320, 823
See application file for complete search history.

FIG. 1 is a front view of the novel molded fire extinguisher cabinet.

FIG. 2 is a rear view of the novel molded fire extinguisher cabinet of FIG. 1.

FIG. 3 is a left side view of the novel molded fire extinguisher cabinet of FIG. 1.

FIG. 4 is a right side view of the novel molded fire extinguisher cabinet of FIG. 1.

FIG. 5 is a top view of the novel molded fire extinguisher cabinet of FIG. 1.

FIG. 6 is a bottom view of the novel molded fire extinguisher cabinet of FIG. 1.

FIG. 7 is an upper front right perspective view of the novel molded fire extinguisher cabinet of FIG. 1.

FIG. 8 is an upper front left perspective view of the novel molded fire extinguisher cabinet of FIG. 1.

FIG. 9 is an upper rear right perspective view of the novel molded fire extinguisher cabinet of FIG. 1.

FIG. 10 is an upper rear left perspective view of the novel molded fire extinguisher cabinet of FIG. 1.

FIG. 11 is a front view of the novel molded fire extinguisher cabinet of FIG. 1 with door opened.

FIG. 12 is a left side view of the novel molded fire extinguisher cabinet of FIG. 11 with door opened.

FIG. 13 is a right side view of the novel molded fire extinguisher cabinet of FIG. 11 with door opened.

FIG. 14 is a top view of the novel molded fire extinguisher cabinet of FIG. 11 with door opened.

FIG. 15 is a bottom view of the novel molded fire extinguisher cabinet of FIG. 11 with door opened.

FIG. 16 is an upper front right perspective view of the novel molded fire extinguisher cabinet of FIG. 11 with door opened.

FIG. 17 is an upper front left perspective view of the novel molded fire extinguisher cabinet of FIG. 11 with door opened.

FIG. 18 is an upper rear right perspective view of the novel molded fire extinguisher cabinet of FIG. 11 with door opened; and,

FIG. 19 is an upper rear left perspective view of the novel molded fire extinguisher cabinet of FIG. 11 with door opened.

The broken lines showing a lock are for illustrative purposes and form no part of the claimed design.

(56) **References Cited**

U.S. PATENT DOCUMENTS

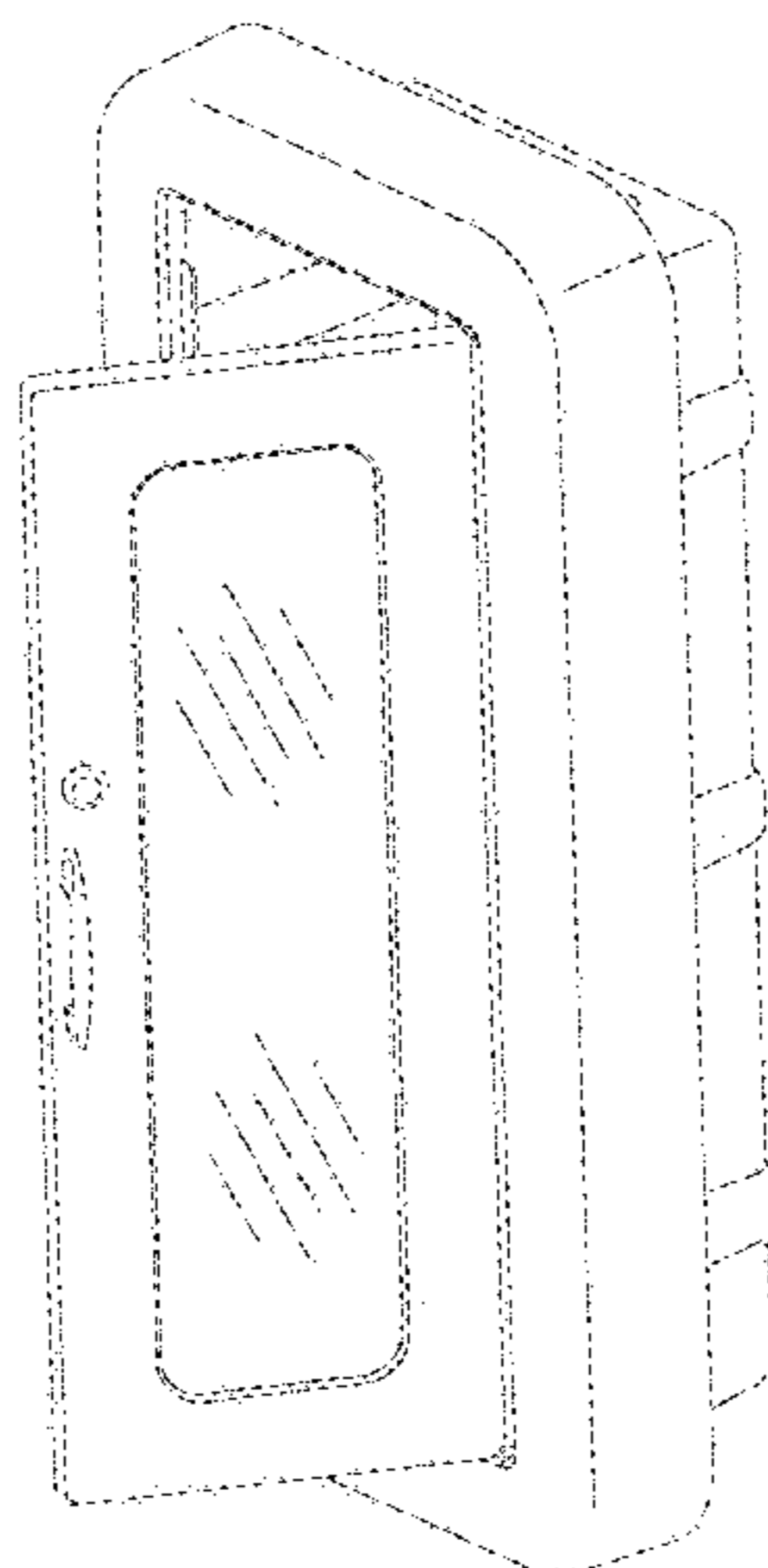
2,113,683	A	4/1938	De Witt	
3,004,815	A	10/1961	O'Kain	
3,031,220	A	4/1962	Reiss	
D194,434	S	1/1963	Whitman	
D220,762	S	5/1971	Dial, Jr.	
D224,592	S *	8/1972	Fudge	D6/559
3,722,733	A	3/1973	Neumann	
3,734,551	A	5/1973	Hughes	
D242,676	S	12/1976	Haas	
4,076,350	A *	2/1978	Crist	312/242
D250,377	S	11/1978	Dooley	
D251,464	S	4/1979	Masters	
4,230,352	A	10/1980	Sealy	

(Continued)

Primary Examiner — Brian N Vinson

(74) *Attorney, Agent, or Firm* — Brian S. Steinberger; Law Offices of Brian S. Steinberger, P.A.

1 Claim, 18 Drawing Sheets



US D640,081 S

Page 2

U.S. PATENT DOCUMENTS			
4,240,179	A	12/1980	Lautenschlagen
D259,160	S	5/1981	Crosbie
4,294,498	A	10/1981	Van Luit
4,449,588	A	5/1984	Benlolo
4,491,353	A	1/1985	James
4,941,716	A	7/1990	Rome
4,998,587	A	3/1991	Thomas
5,368,378	A *	11/1994	Curtis 312/242
5,427,446	A	6/1995	Glomski
D367,794	S *	3/1996	Brawner D6/559
D373,989	S	9/1996	Dickinson
5,638,907	A	6/1997	Salmonsens
D420,543	S *	2/2000	Tisbo et al. D6/559
D497,069	S *	10/2004	Aisley et al. D6/559
D544,277	S *	6/2007	Hoyvik D6/559
7,264,284	B2	9/2007	Hsu

* cited by examiner

Fig.1

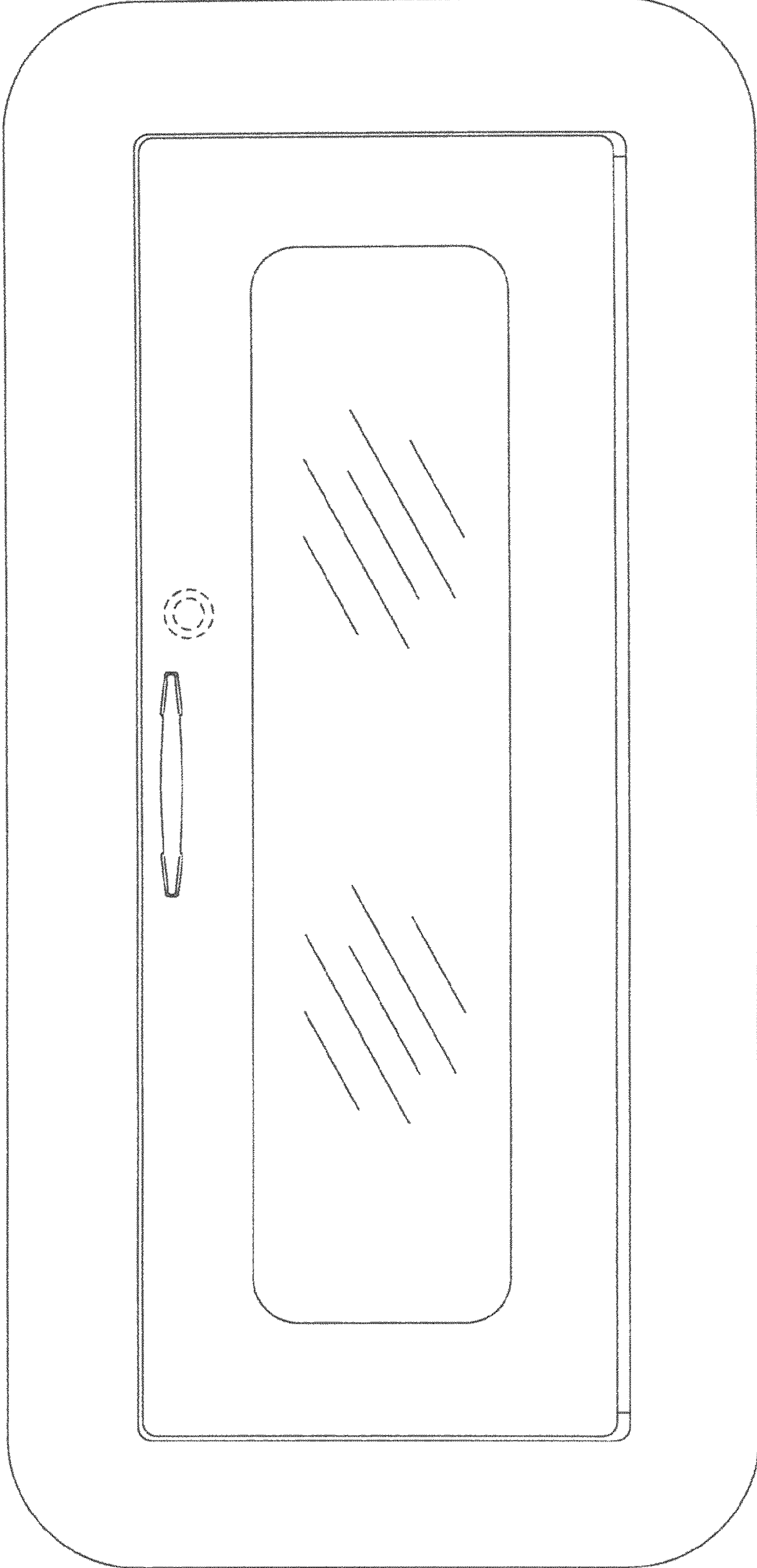


Fig.2

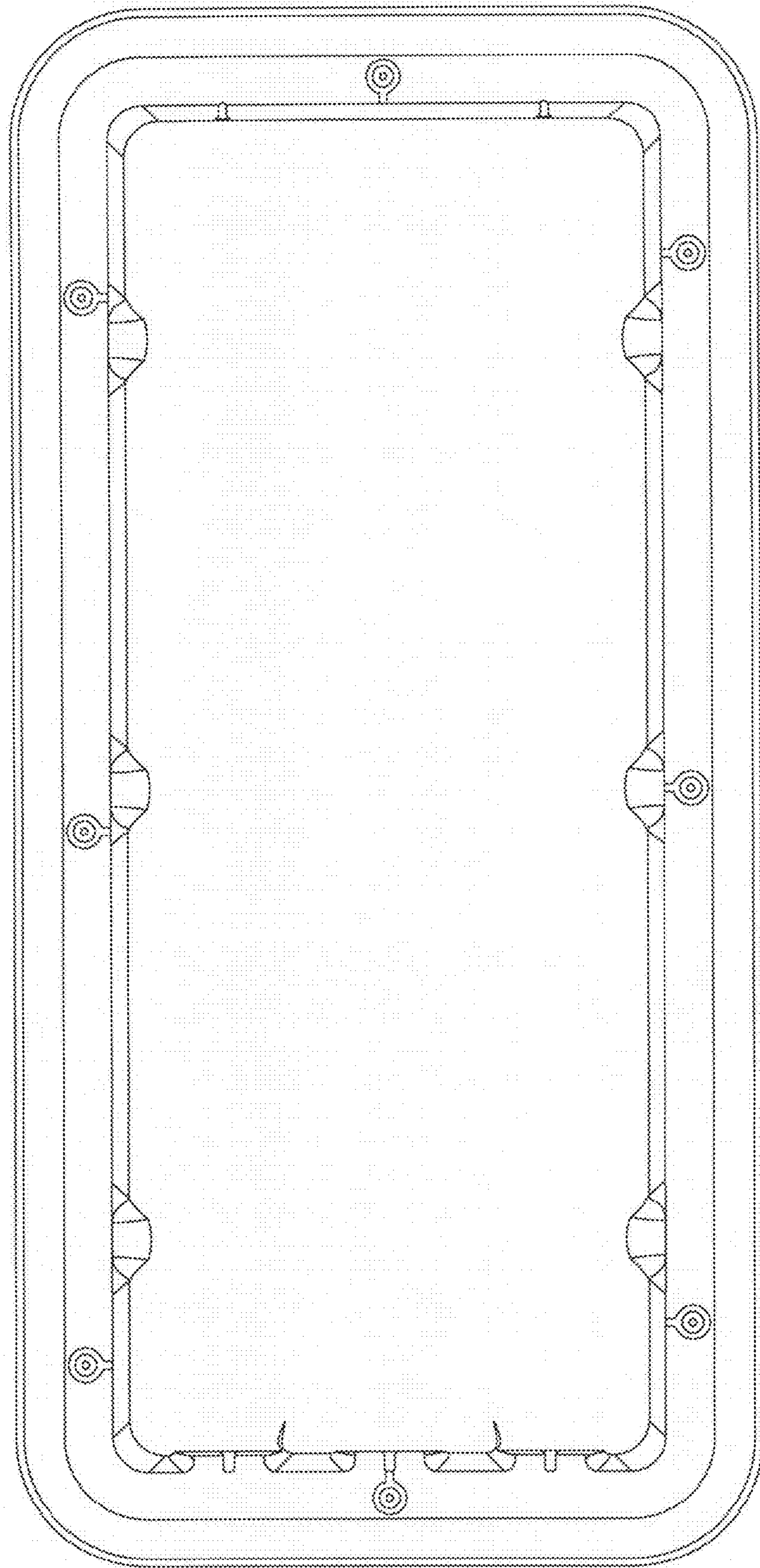


Fig.3

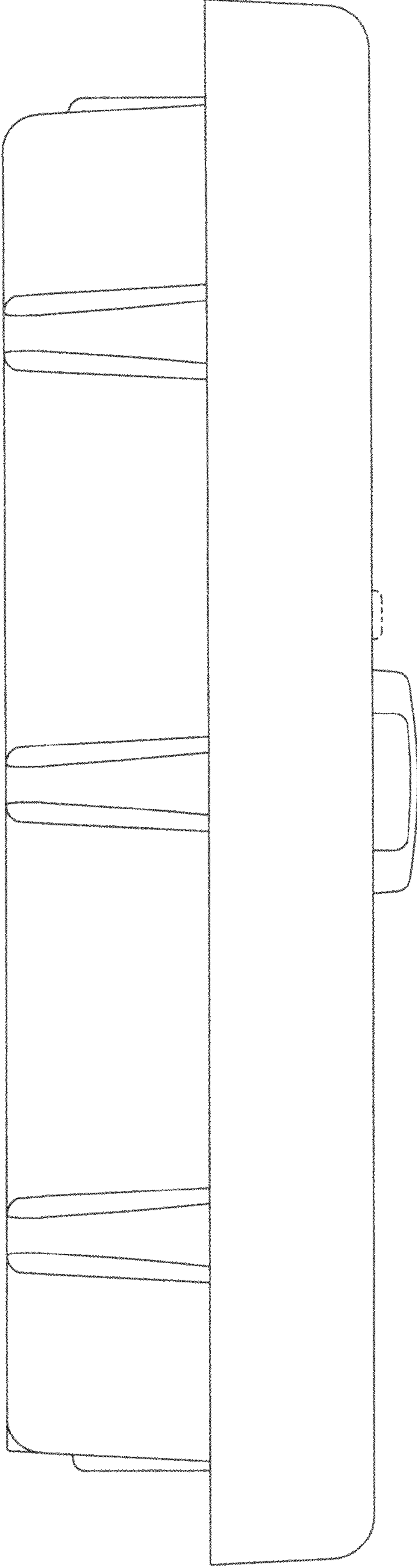


Fig.4

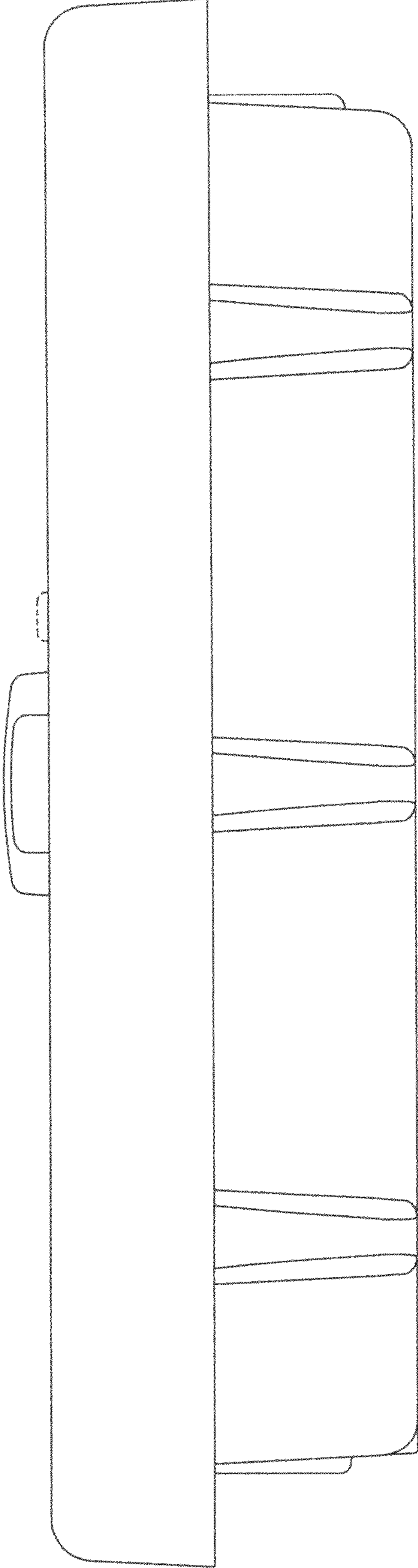


Fig.5

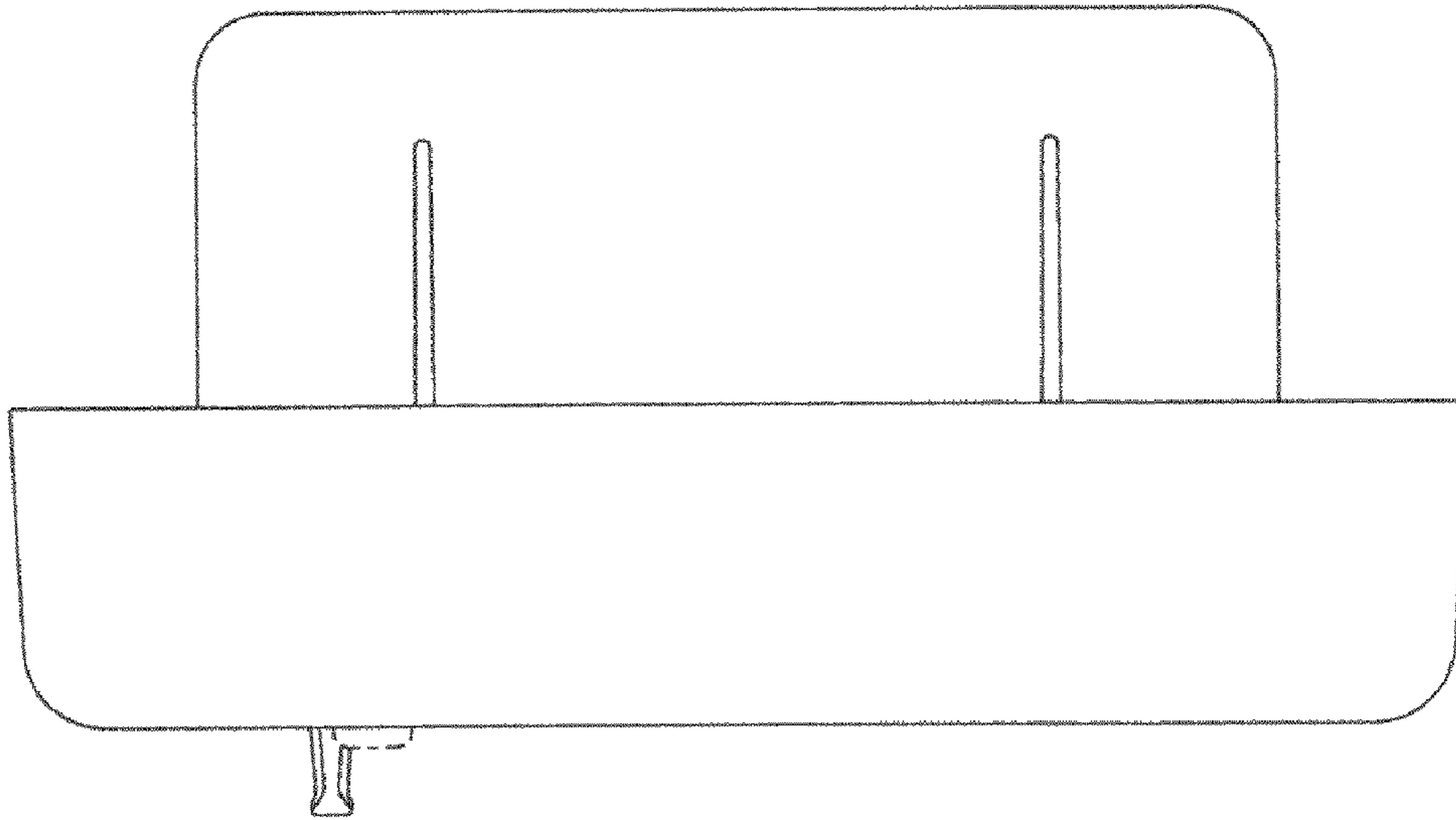


Fig.6

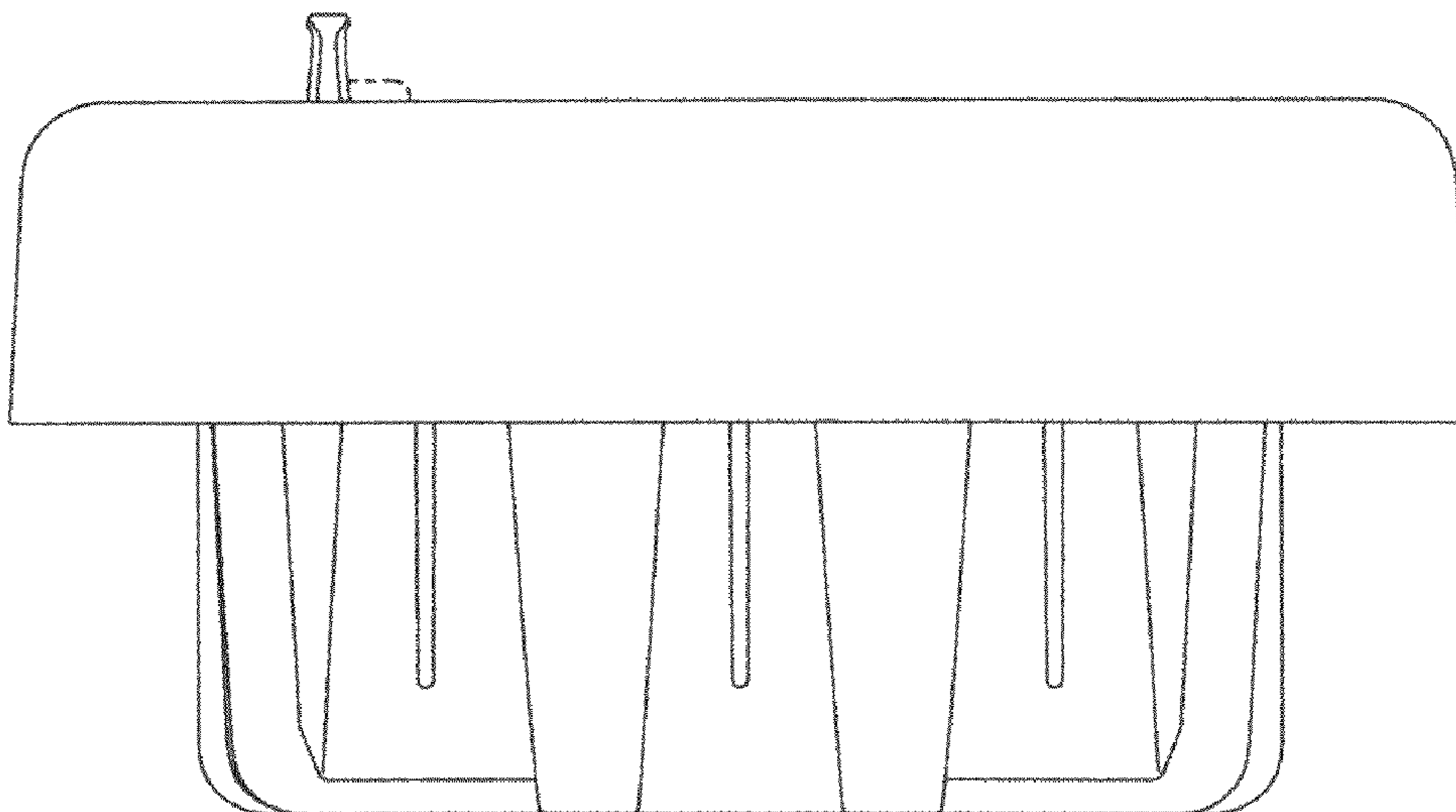


Fig.7

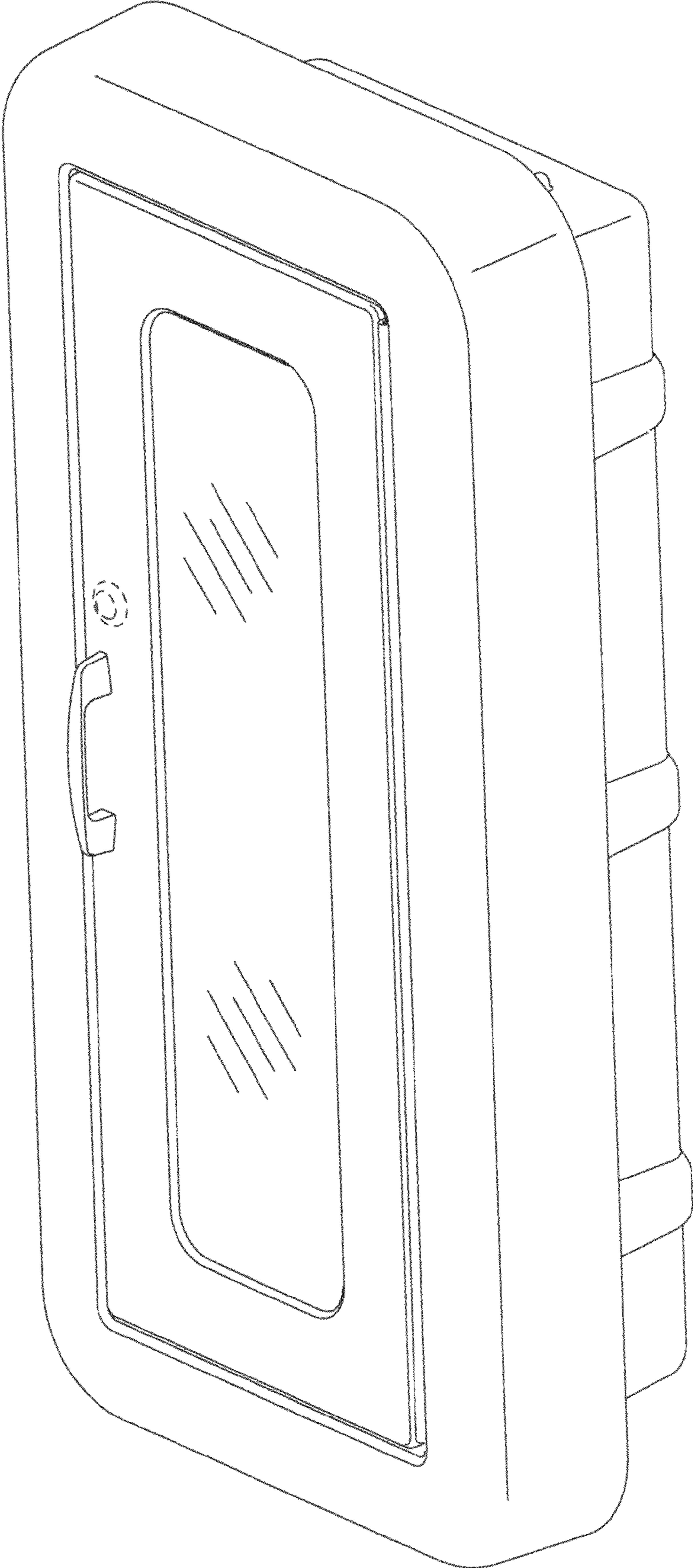


Fig.8

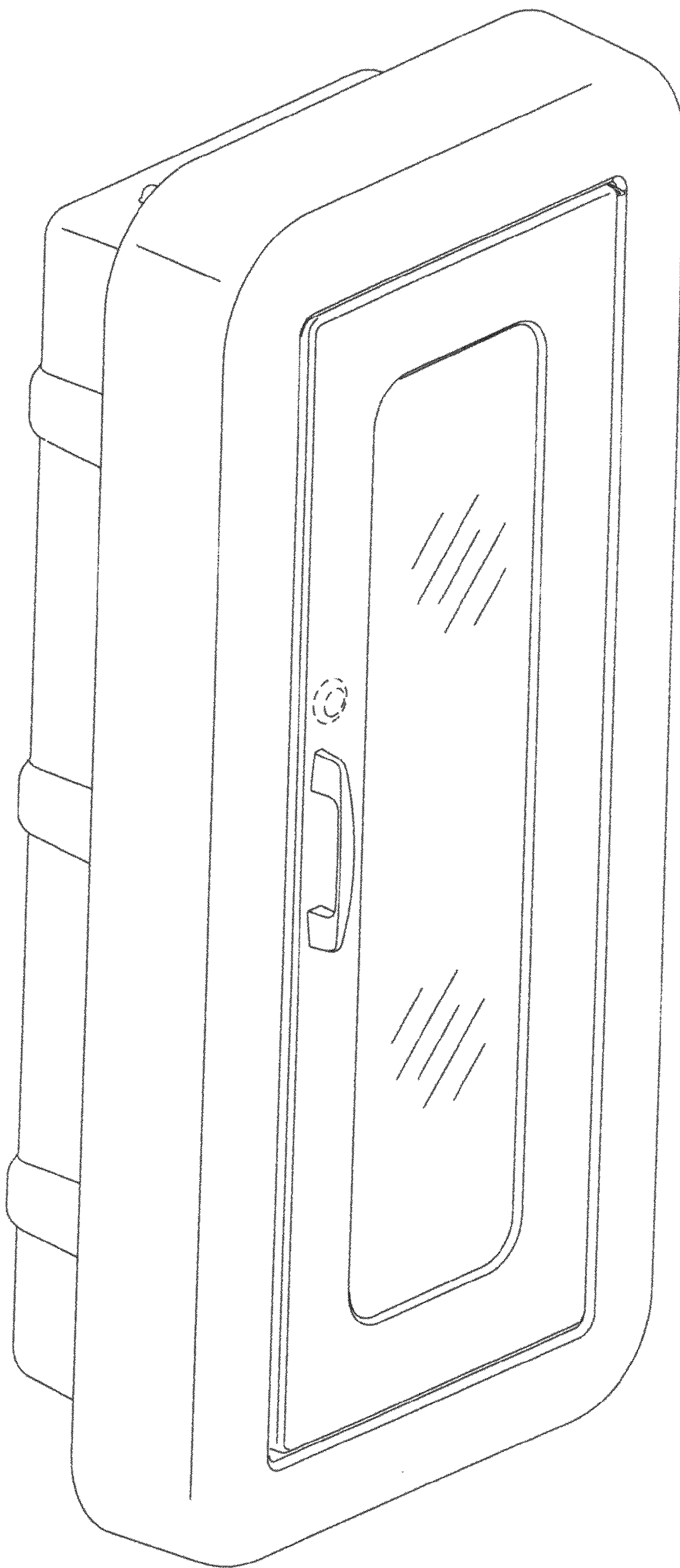


Fig.9

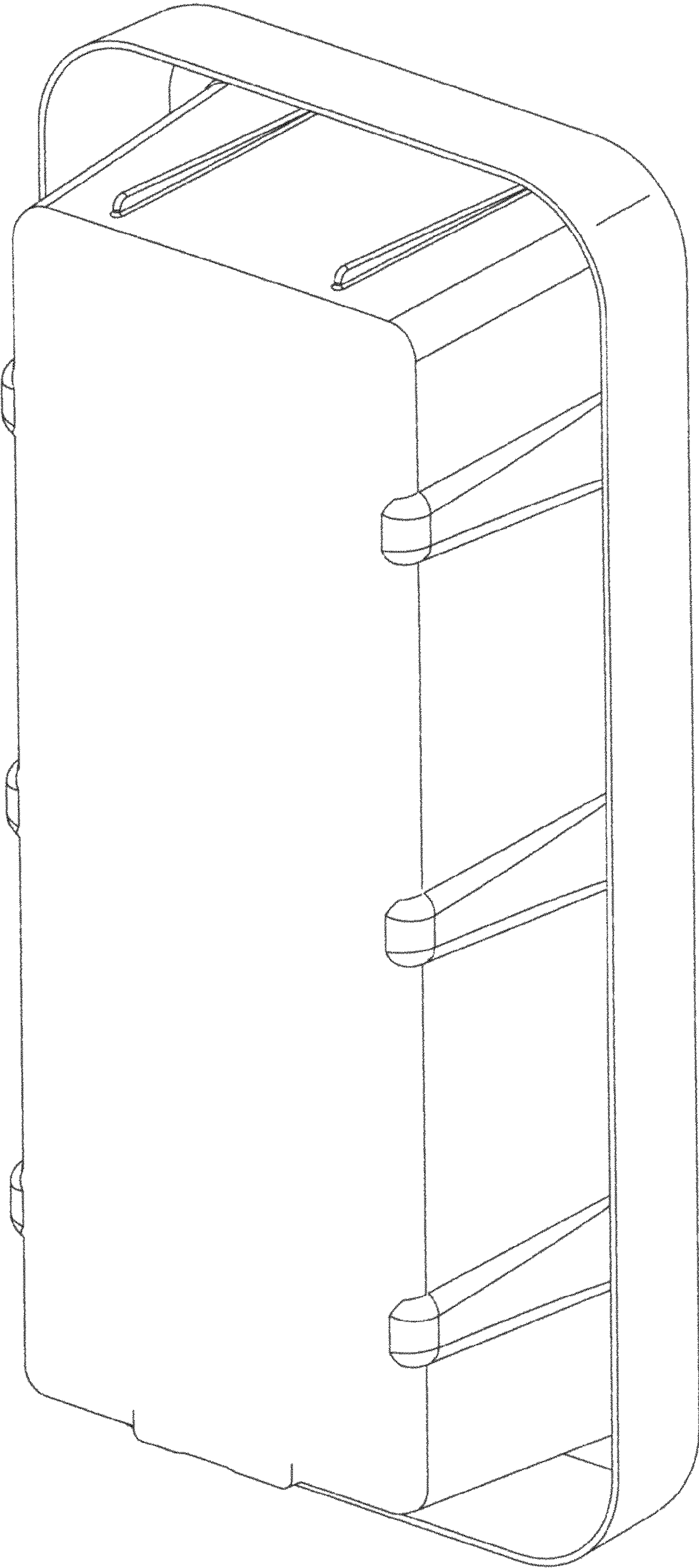


Fig.10

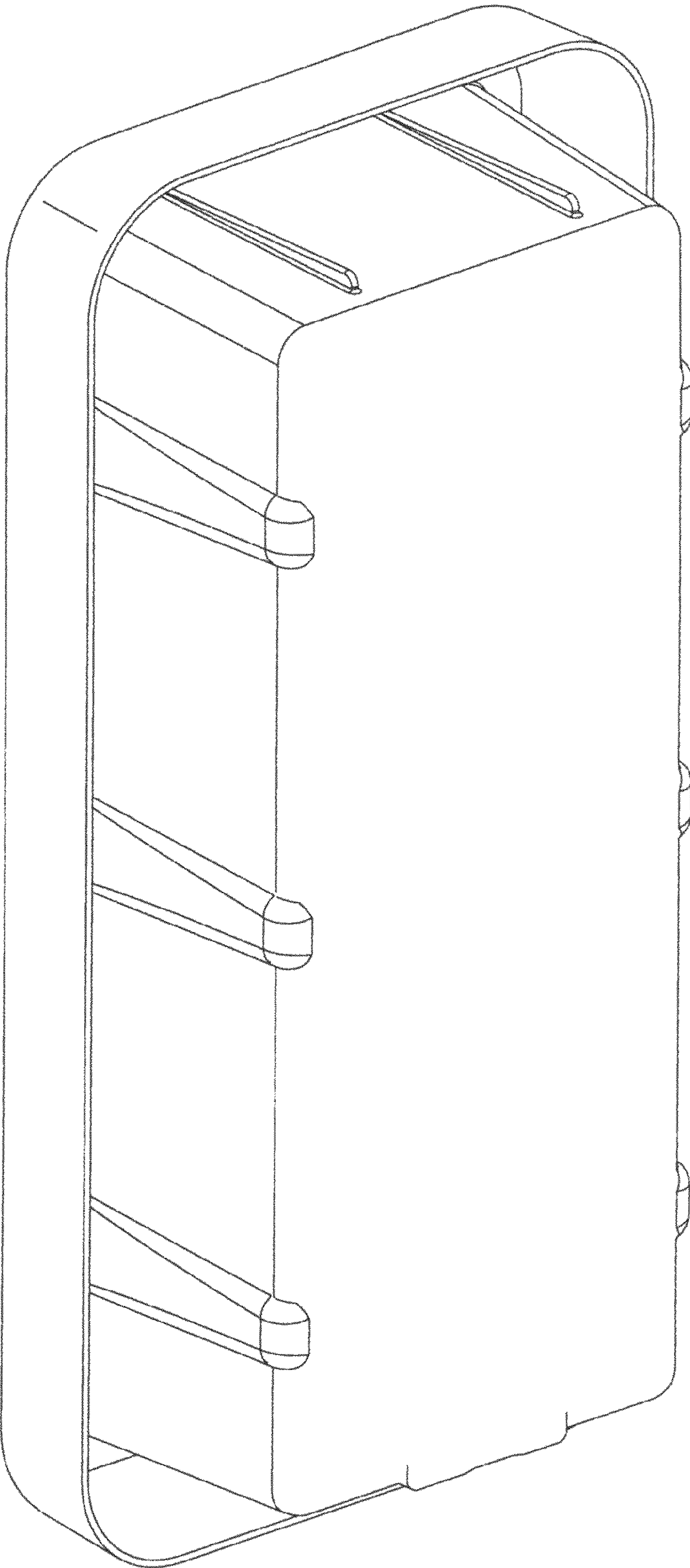


Fig. 11

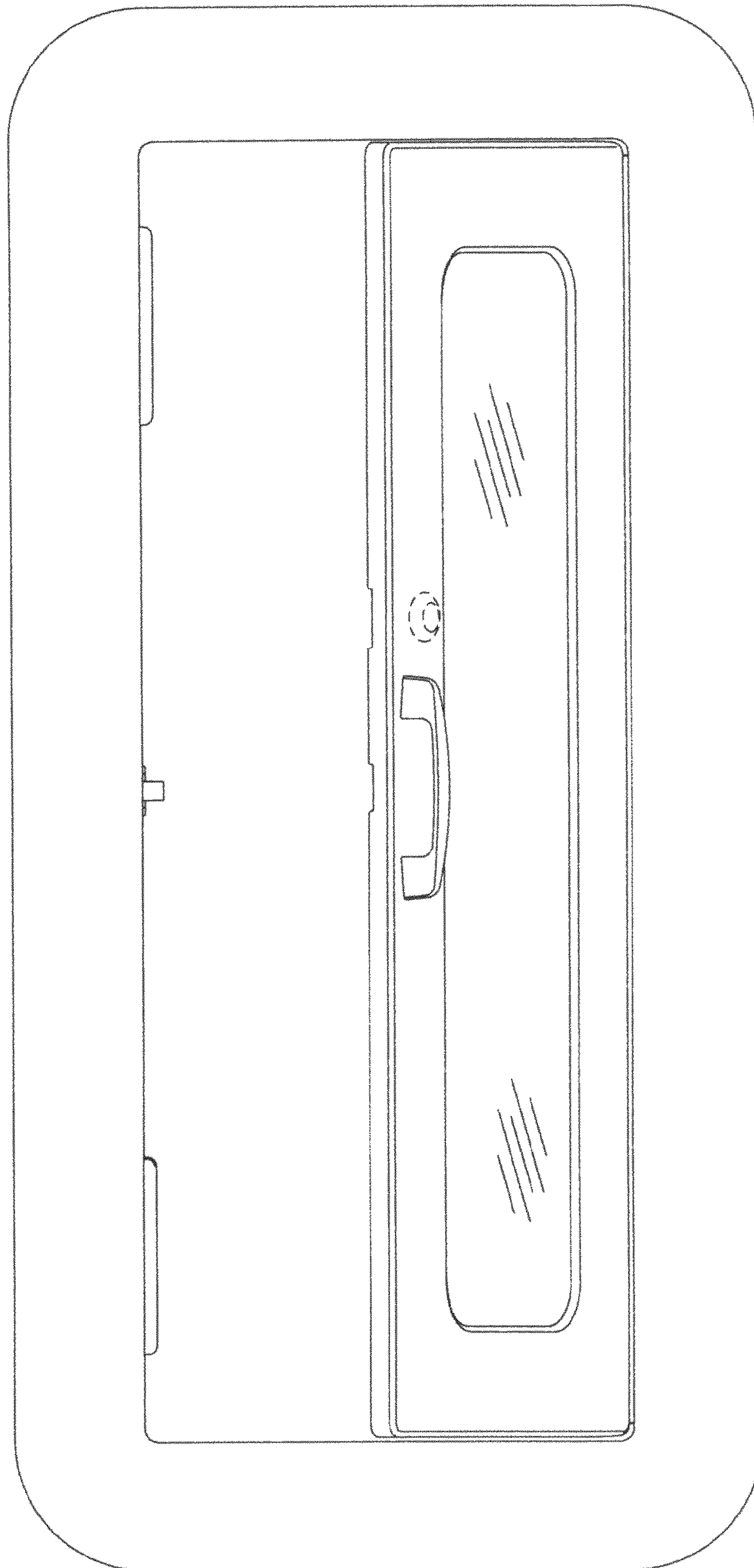


Fig. 12

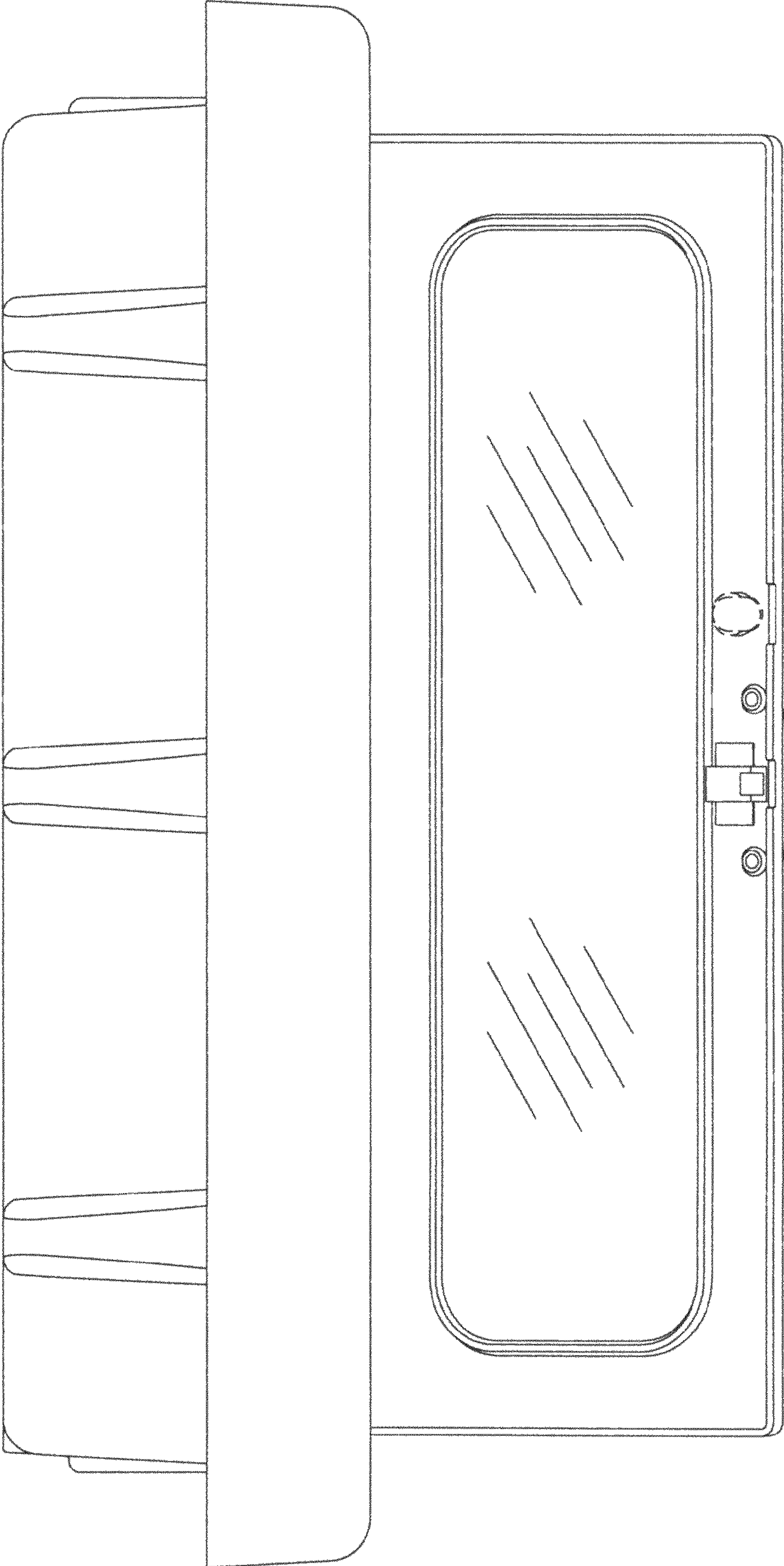


Fig.13

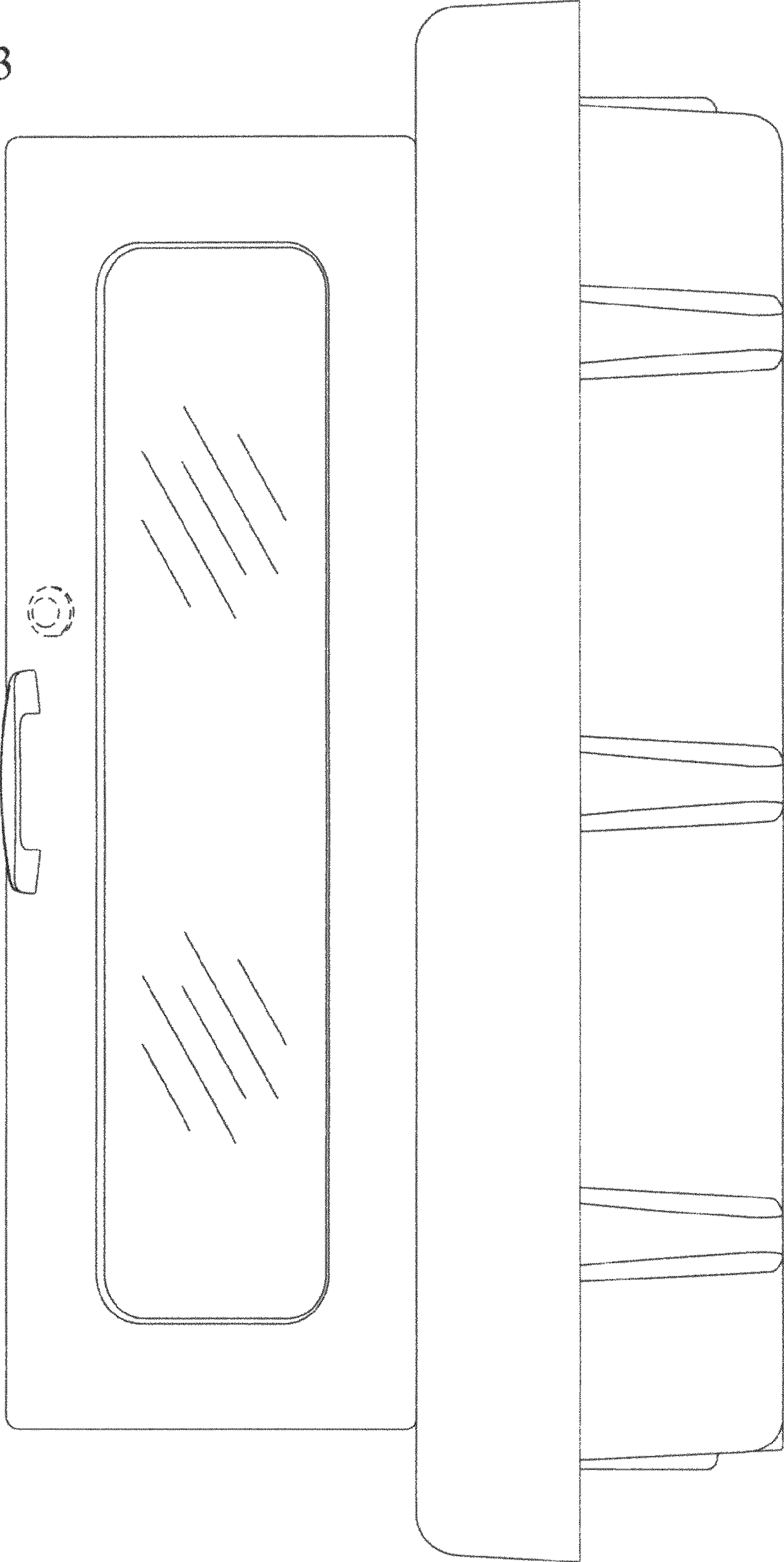


Fig.14

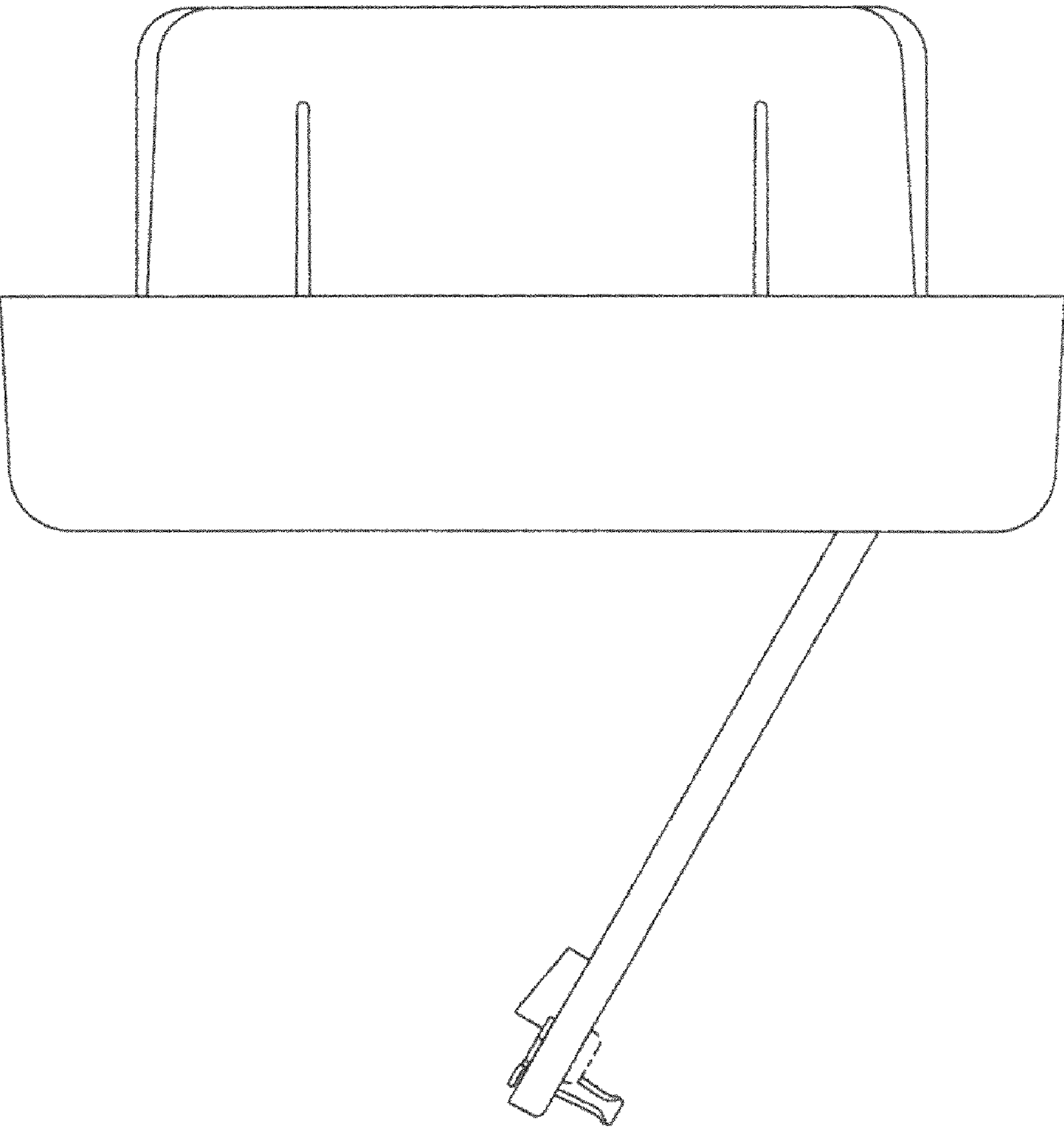


Fig. 15

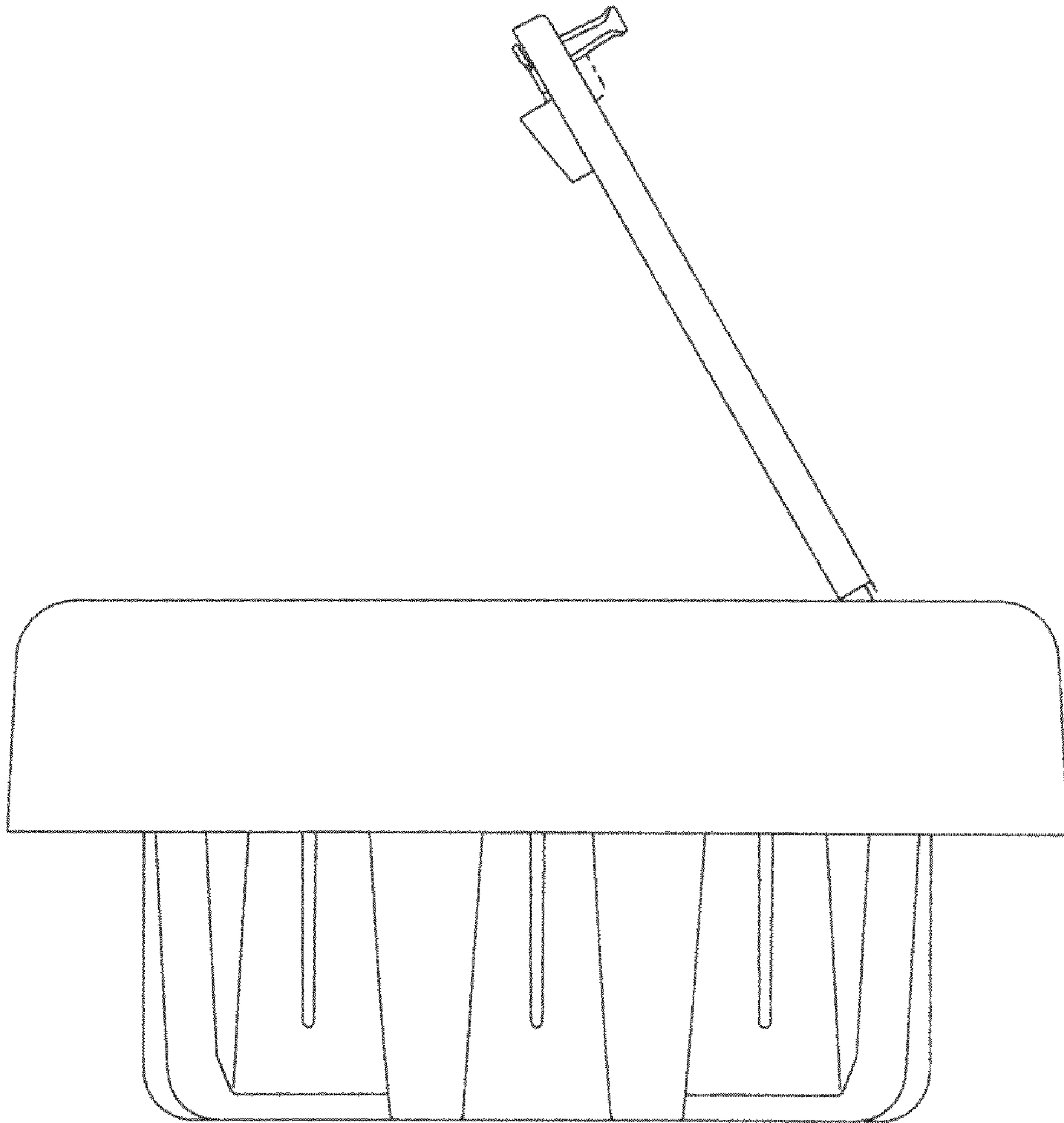


Fig.16

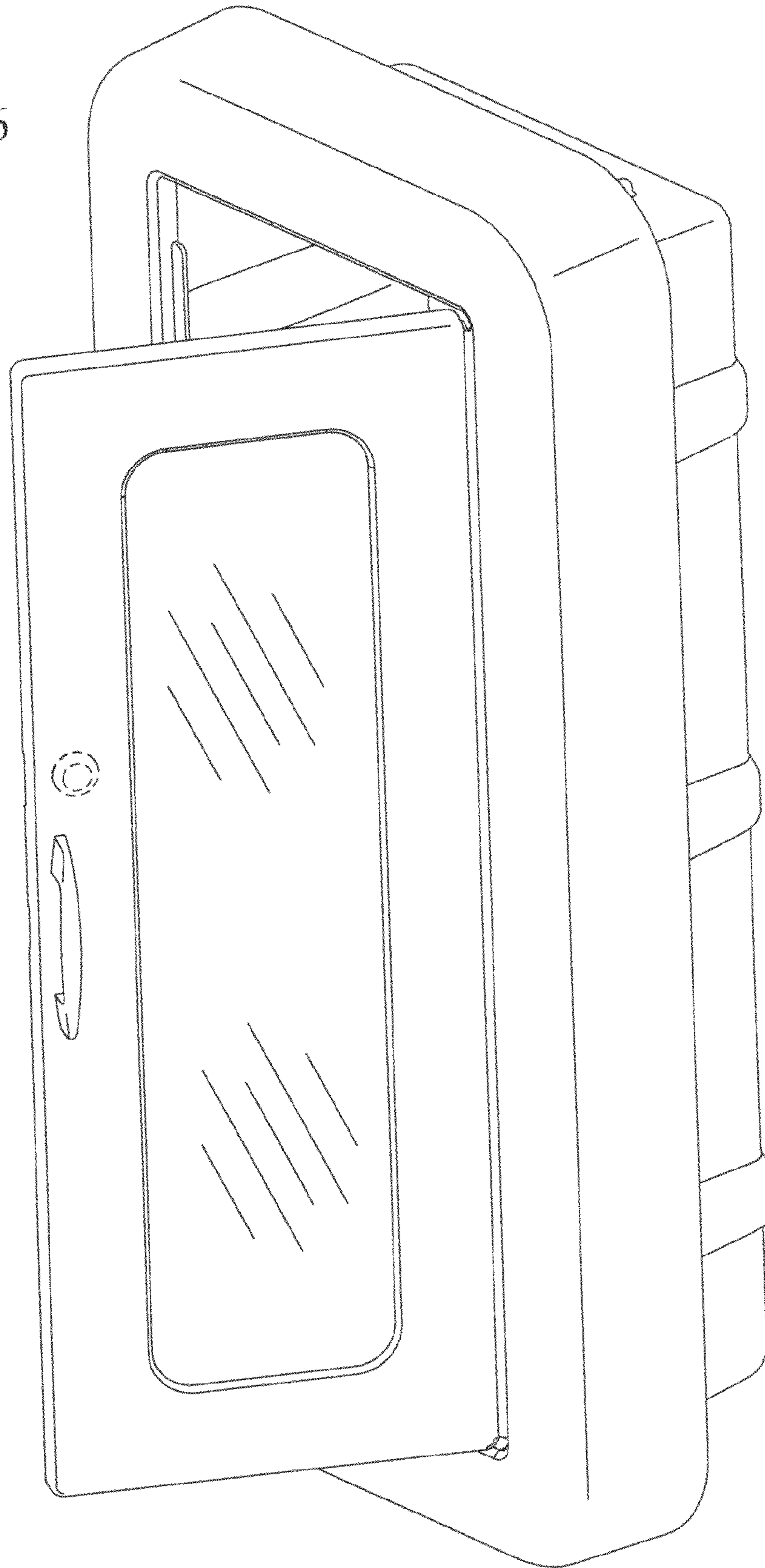


Fig.17

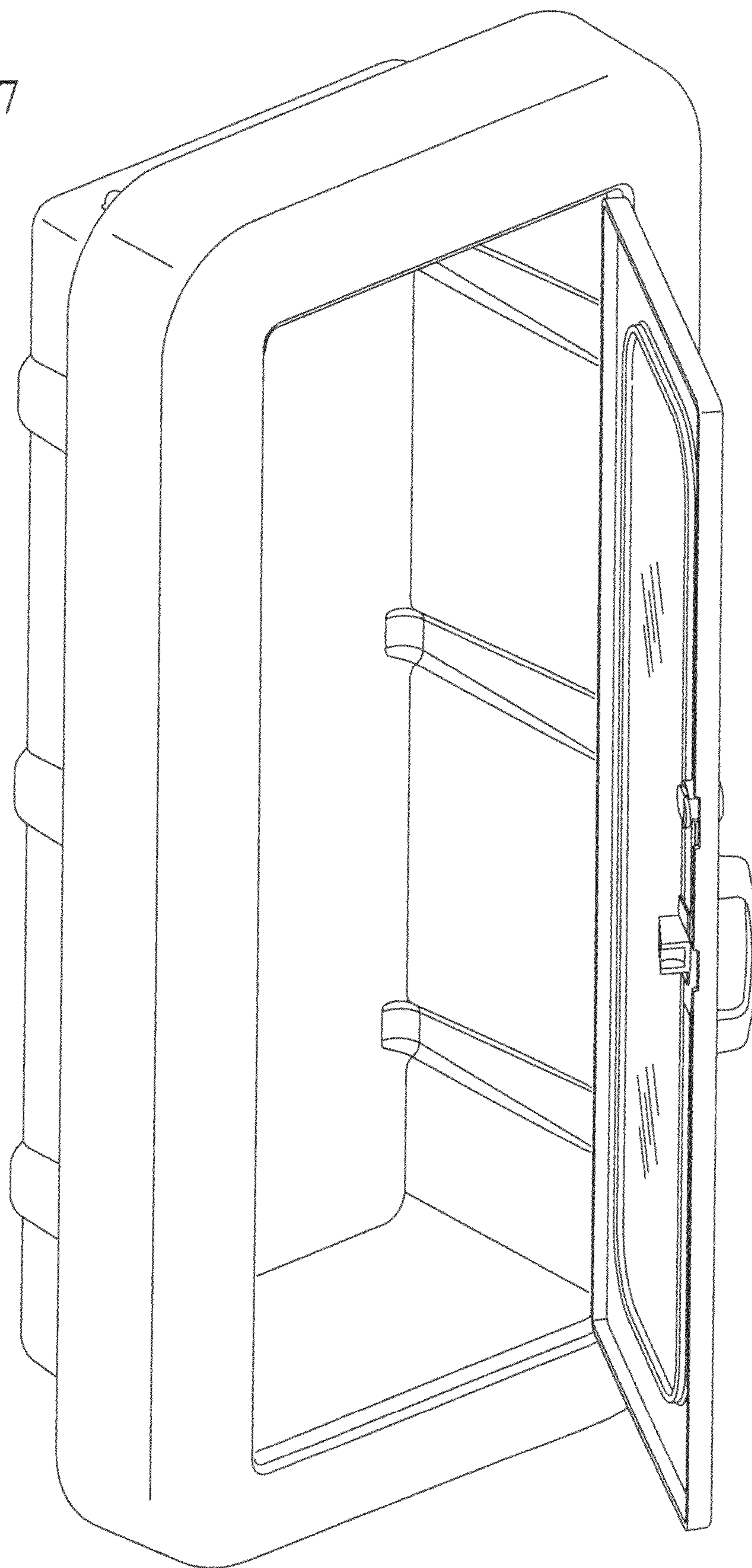


Fig.18

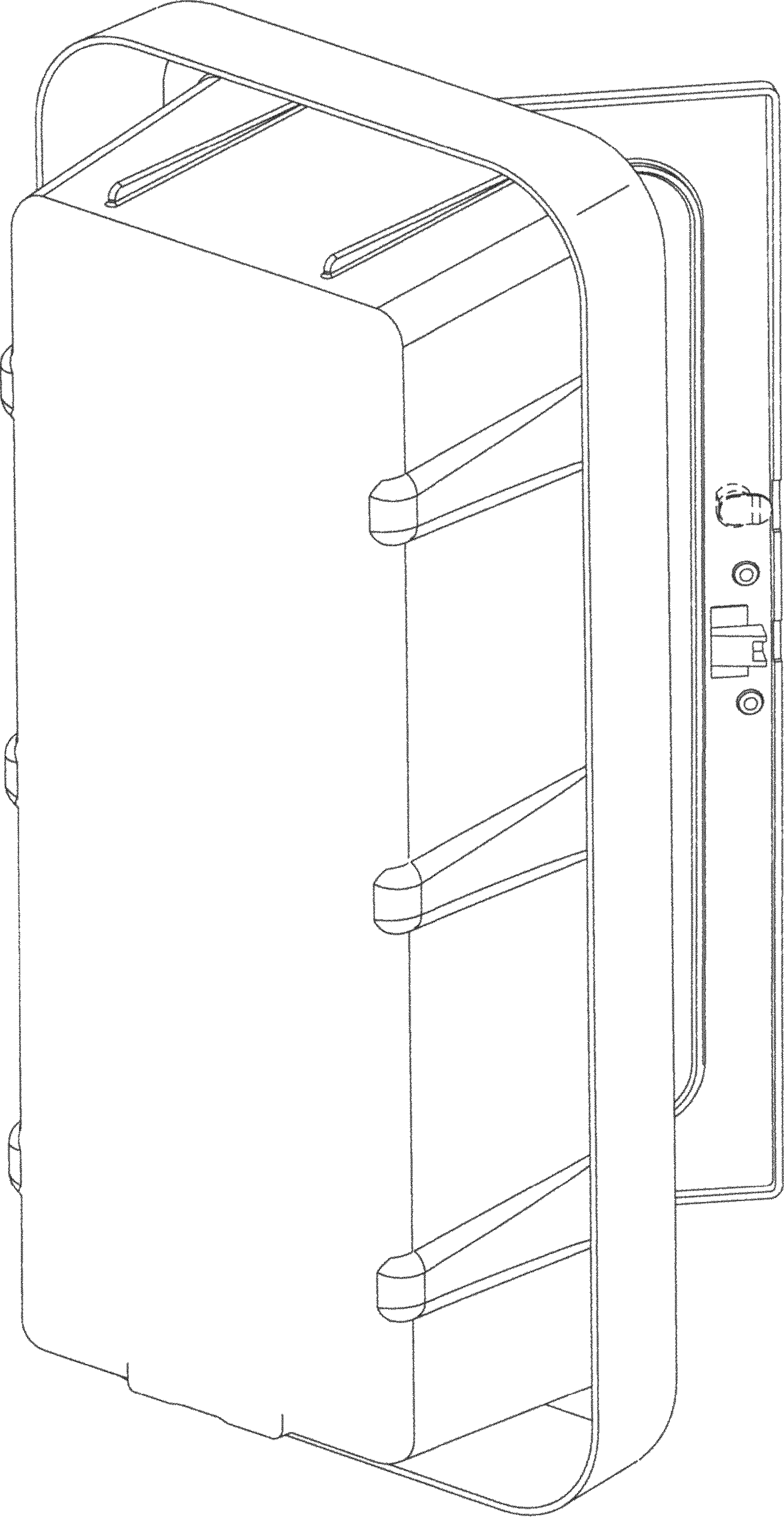


Fig.19

