



US00D640080S

(12) **United States Design Patent**
Busch

(10) **Patent No.:** **US D640,080 S**

(45) **Date of Patent:** **** Jun. 21, 2011**

(54) **GROWING SYSTEM FOR PLANTS**

(76) Inventor: **Douglas Busch**, Malibu, CA (US)

(**) Term: **14 Years**

(21) Appl. No.: **29/368,774**

(22) Filed: **Aug. 30, 2010**

(51) **LOC (9) Cl.** **06-04**

(52) **U.S. Cl.** **D6/556**

(58) **Field of Classification Search** D6/512-514,
D6/556, 553, 567; D9/738-739, 516, 559,
D9/572-574, 535; 47/32.7, 33, 39, 41.01,
47/41.1, 41.12, 41.13, 41.15, 44, 46, 47,
47/65.5, 65.9, 66.1, 66.3, 67, 68; 211/13.1,
211/55, 69.5

See application file for complete search history.

(56) **References Cited**

U.S. PATENT DOCUMENTS

D232,283 S *	8/1974	Wagschal	D6/514
D247,533 S *	3/1978	Noyes	D6/514
D247,768 S *	4/1978	Sagona	D9/572
D264,283 S *	5/1982	Robert	D6/556

D334,872 S *	4/1993	Tublin	D7/701
D348,839 S *	7/1994	Stoker	D9/573
D353,081 S *	12/1994	Drewes et al.	D9/739
D537,352 S *	2/2007	Spiegel	D9/573

* cited by examiner

Primary Examiner — Brian N Vinson

(74) *Attorney, Agent, or Firm* — Millen, White, Zelano & Branigan, P.C.

(57) **CLAIM**

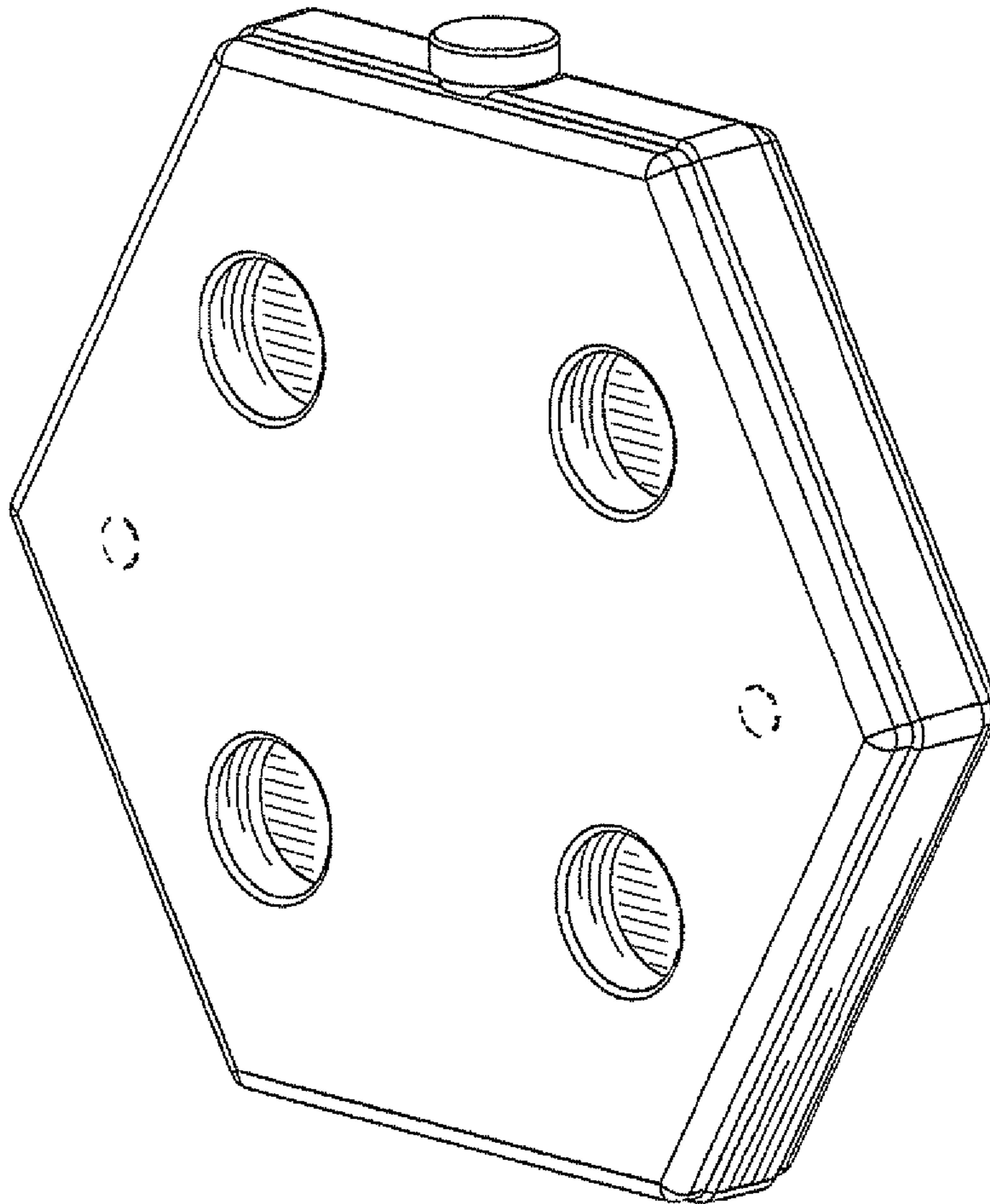
The ornamental design for a growing system for plants, as shown and described.

DESCRIPTION

FIG. 1 is a top and front perspective view of a growing system for plants showing my new design; FIG. 2 is a top plan view thereof; FIG. 3 is a front elevational view thereof; FIG. 4 is a side elevational view thereof; and, FIG. 5 is a rear elevational view thereof.

The broken lines disclosure is understood to represent a portion of the article in which the claimed design is embodied, but which forms no part of the claimed design.

1 Claim, 3 Drawing Sheets



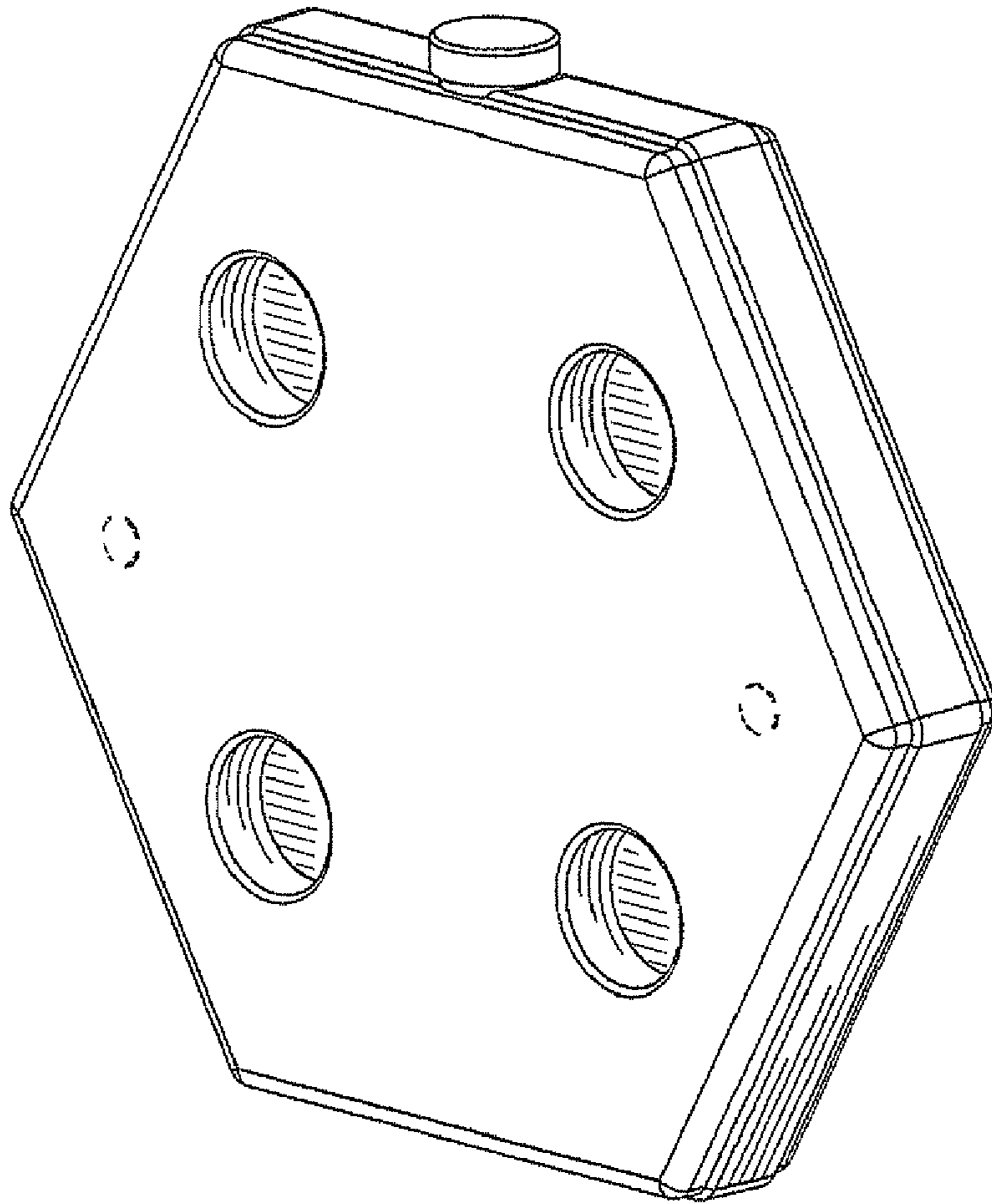


fig. 1

fig. 2

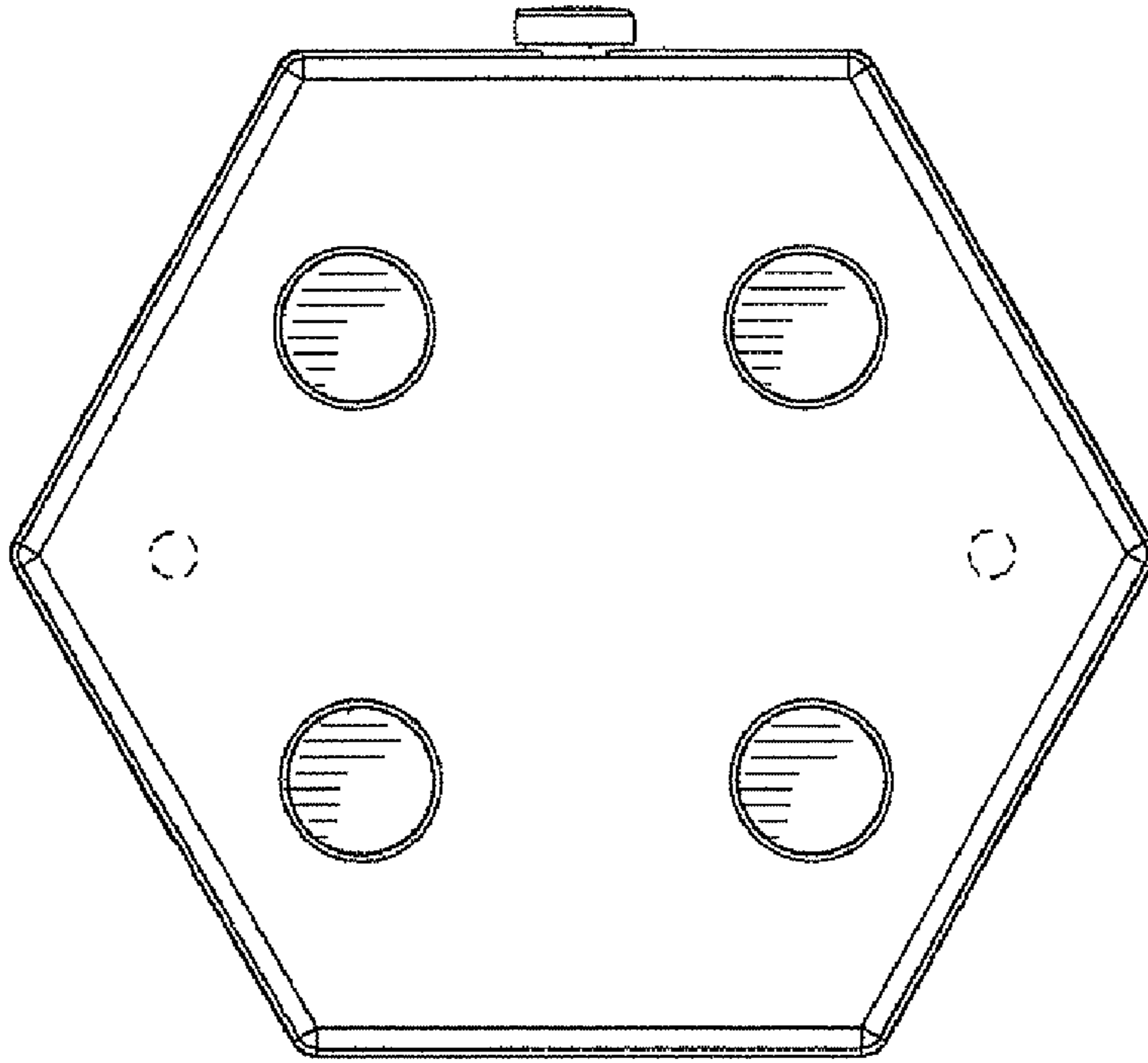
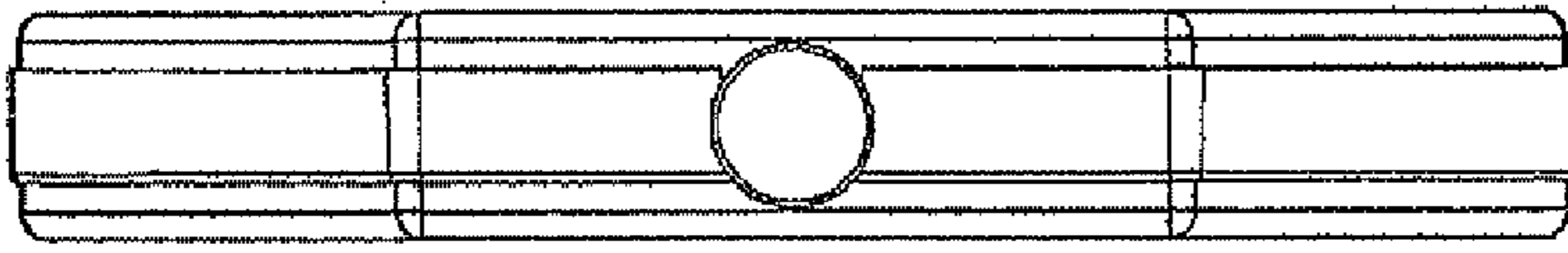


fig. 3

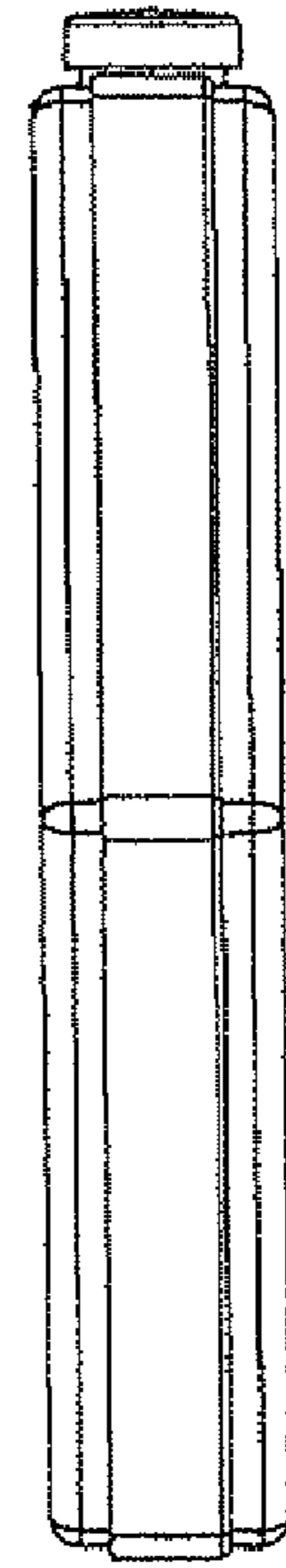


fig. 4

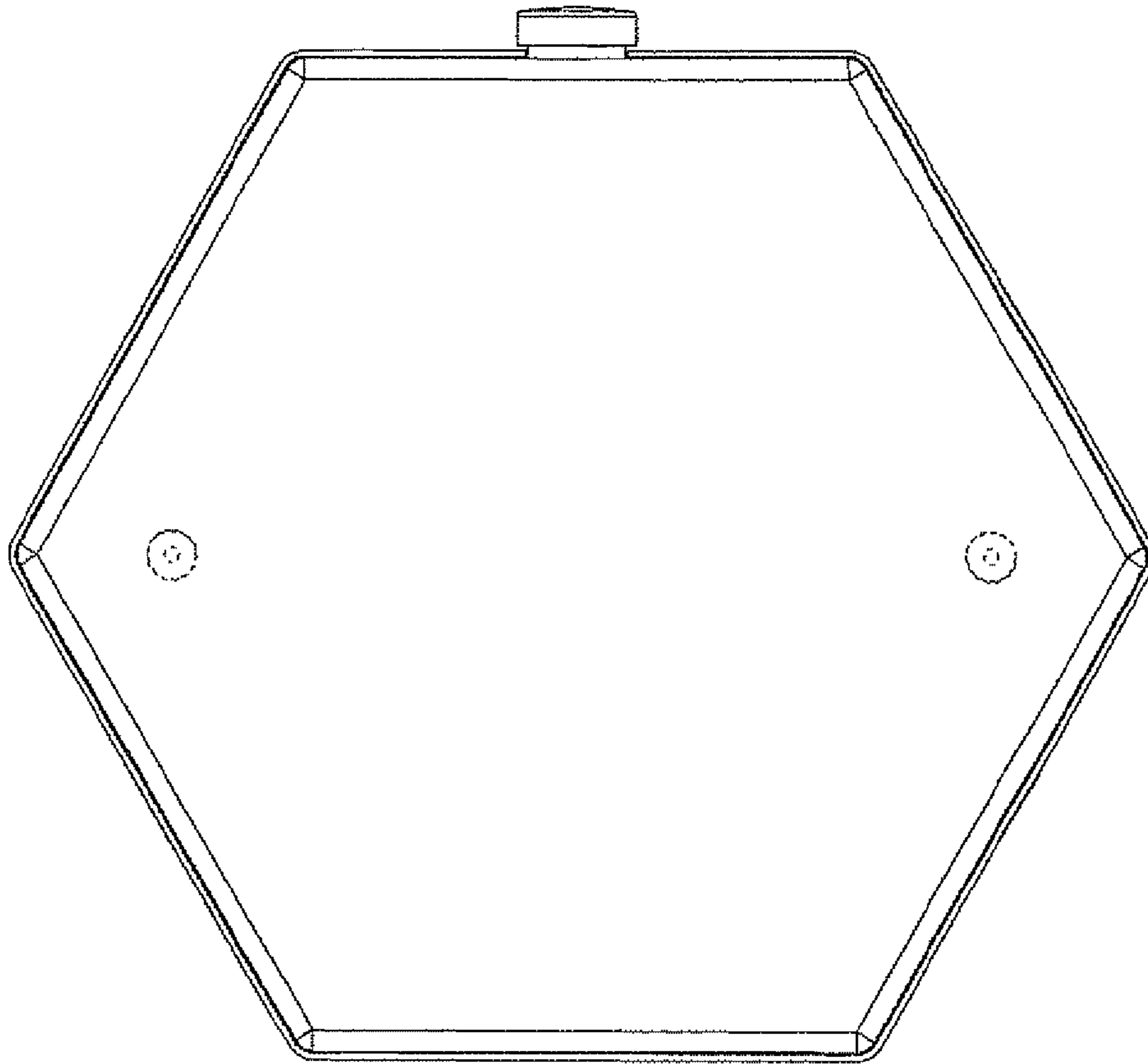


fig. 5