



US00D640078S

(12) **United States Design Patent**
Gilbert

(10) **Patent No.:** **US D640,078 S**

(45) **Date of Patent:** **** Jun. 21, 2011**

- (54) **ESCUTCHEON**
- (75) Inventor: **Christopher Jon Gilbert**, Moreland Hills, OH (US)
- (73) Assignee: **Moen Incorporated**, North Olmsted, OH (US)
- (**) Term: **14 Years**
- (21) Appl. No.: **29/377,368**
- (22) Filed: **Oct. 20, 2010**
- (51) **LOC (9) Cl.** **23-02**
- (52) **U.S. Cl.** **D6/524**
- (58) **Field of Classification Search** D6/546-550, D6/518-519, 522-524; 211/13.1, 16, 60.1, 211/86.01, 87.01, 88.01, 88.04, 100, 105.1, 211/105.2, 123, 181.1, 182; D8/300, 303, D8/315-321; 248/175, 176.1, 251, 302; 242/570, 590, 595-598; 16/110.1, 412, 415
See application file for complete search history.

- D349,208 S 8/1994 Bollenbacher
- D356,708 S 3/1995 Shames et al.
- D362,361 S 9/1995 Lehn et al.
- D362,615 S 9/1995 Shames et al.
- D371,826 S 7/1996 Robbins
- D375,149 S 10/1996 Robbins
- D385,956 S 11/1997 Doughty et al.
- D390,397 S 2/1998 Chen
- D392,139 S 3/1998 Wu
- D404,802 S 1/1999 Delker
- D405,995 S * 2/1999 Harris D6/524
- D407,143 S 3/1999 Hyde et al.
- D408,188 S 4/1999 Kuo
- D416,139 S 11/1999 Roth et al.
- D418,205 S 12/1999 Hyde et al.
- D424,352 S 5/2000 Roth et al.
- 6,192,529 B1 2/2001 Jones et al.
- D449,950 S 11/2001 Lai
- D451,687 S 12/2001 Sun et al.
- D452,790 S 1/2002 Chen

(Continued)

Primary Examiner — Brian N Vinson
(74) *Attorney, Agent, or Firm* — Calfee, Halter & Griswold LLP

(56) **References Cited**

U.S. PATENT DOCUMENTS

- 363,954 A 5/1887 Gould
- 999,332 A 8/1911 Mueller
- 1,039,315 A 9/1912 Mueller
- 1,177,232 A 3/1916 Chisholm
- 1,502,154 A 7/1924 Mueller et al.
- 1,594,714 A 8/1926 Eustis
- 1,721,306 A 7/1929 Koering
- 1,773,586 A 8/1930 Koering
- D244,652 S 6/1977 Tegner
- D299,095 S 12/1988 Gresens et al.
- D305,863 S 2/1990 Gresens et al.
- D320,335 S 10/1991 Bengtson
- D325,622 S 4/1992 Bengtson
- D332,824 S 1/1993 Robbins
- D337,014 S 7/1993 Wang
- D337,230 S 7/1993 Wang
- D337,681 S 7/1993 Sharpe
- 5,307,528 A 5/1994 Nieuwenhuis et al.

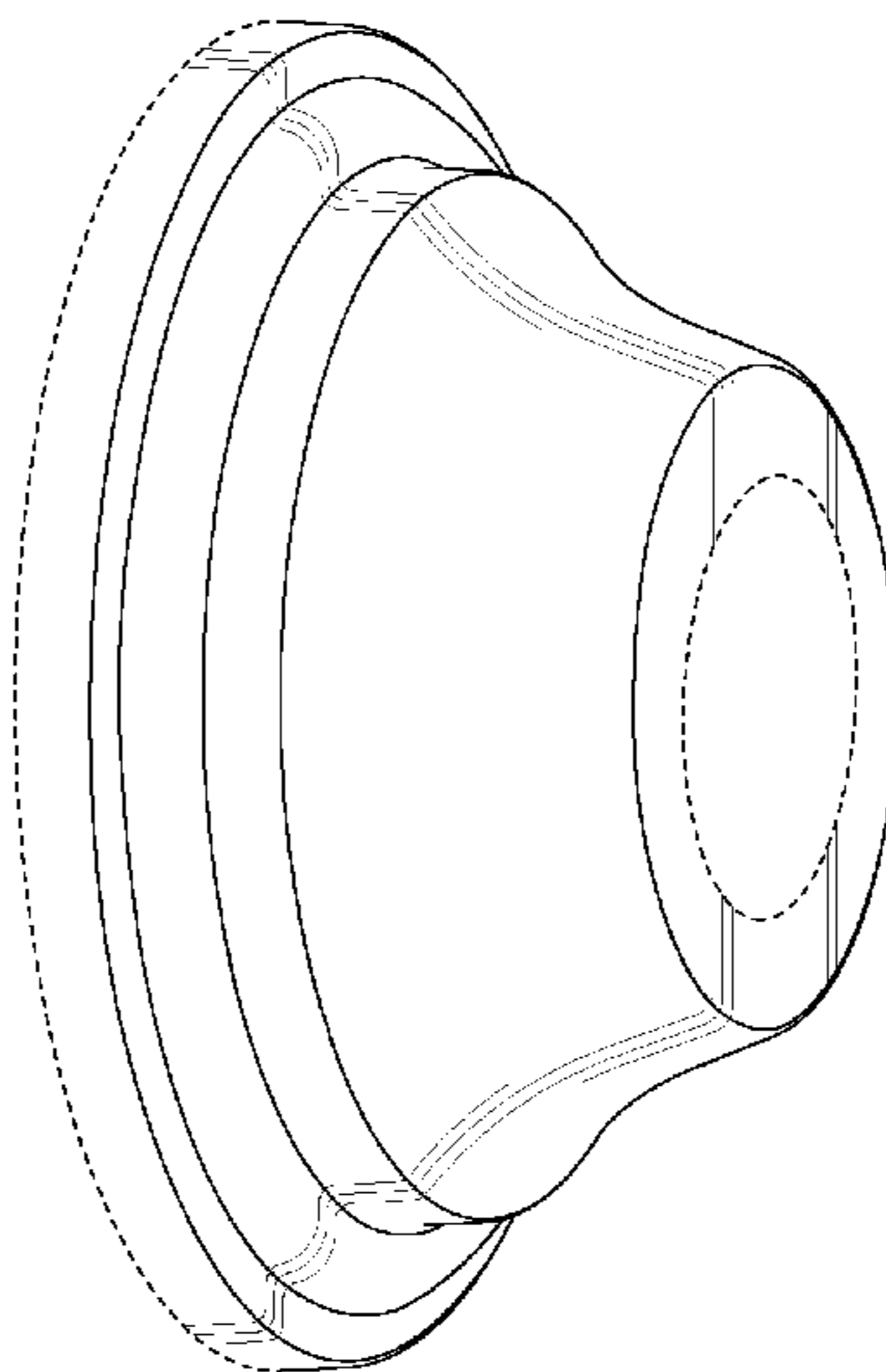
(57) **CLAIM**

The ornamental design for an escutcheon, as shown and described.

DESCRIPTION

FIG. 1 is a perspective view of an escutcheon of the new design;
FIG. 2 is a front elevational view of the escutcheon of FIG. 1;
FIG. 3 is a left side elevational view of the escutcheon of FIG. 1, the right side elevational view being a mirror image thereof; and,
FIG. 4 is a top plan view of the escutcheon of FIG. 1, the bottom plan view being a mirror image thereof.
The portions of the Figures shown in broken lines are not part of the claimed design and are for illustration only.

1 Claim, 2 Drawing Sheets



US D640,078 S

Page 2

U.S. PATENT DOCUMENTS

D453,437 S	2/2002	Gilbert	
6,345,643 B1	2/2002	Ko	
D455,199 S	4/2002	Lenart et al.	
D455,588 S	4/2002	Ou-Young	
6,378,912 B1	4/2002	Condon et al.	
D459,128 S	6/2002	Meck et al.	
D461,672 S	8/2002	Zhao	
D463,968 S	10/2002	LaPlume et al.	
D464,713 S	10/2002	Lenart et al.	
D466,348 S	12/2002	Yen	
D466,349 S	12/2002	Tai	
D466,737 S	12/2002	Tai	
D469,292 S	1/2003	Chen et al.	
D473,412 S *	4/2003	Chou	D6/550
6,543,629 B1	4/2003	Samelson	
D474,957 S	5/2003	Singtoroj et al.	
D477,482 S	7/2003	Green	
D481,234 S *	10/2003	Lai	D6/524
D483,440 S	12/2003	Smith	
D483,585 S	12/2003	Chen	
D492,525 S	7/2004	Roberts, III et al.	
D494,455 S	8/2004	Winter et al.	
D498,290 S	11/2004	Egee	
D501,109 S	1/2005	Gilbert	
D509,567 S	9/2005	Gilbert	
D520,282 S	5/2006	Hoernig	
D520,789 S	5/2006	Zhu et al.	
D520,790 S	5/2006	Chen	
D522,845 S	6/2006	Suero	
D524,918 S	7/2006	Barry	
D529,137 S	9/2006	Chu et al.	
D530,556 S	10/2006	Berberet et al.	
D530,957 S	10/2006	Gilbert	
D531,276 S	10/2006	Tsai	
D533,641 S	12/2006	Singtoroj	
D536,203 S	2/2007	Berberet	
D543,754 S	6/2007	Bauer et al.	
D543,755 S	6/2007	Bauer et al.	
D543,756 S	6/2007	Gilbert	
D547,165 S	7/2007	Barrese	
D552,961 S	10/2007	Roberts	
D557,049 S	12/2007	Sedwick et al.	
D558,558 S	1/2008	Lin et al.	
D561,508 S	2/2008	Guo	
D563,526 S	3/2008	Bauer	
D565,937 S	4/2008	Tsai	
D569,951 S	5/2008	Dolan	
D570,962 S	6/2008	Dolan	
D575,565 S *	8/2008	Gilbert	D6/524
D581,028 S	11/2008	Dolan	
D581,488 S	11/2008	Dolan	
D582,015 S	12/2008	Yuan	
D582,018 S	12/2008	Yuan	
D583,600 S *	12/2008	Ricereto	D6/524
D597,634 S	8/2009	Haug et al.	
D599,590 S	9/2009	Hanes	
D600,479 S *	9/2009	Gao	D6/524
D605,935 S	12/2009	Zeyfang	
D611,572 S	3/2010	Gao	
D616,682 S *	6/2010	Gilbert	D6/524
D618,764 S	6/2010	Gao	
D619,222 S	7/2010	Smith et al.	
D626,634 S	11/2010	Lammel et al.	
D627,443 S	11/2010	Sedwick	
7,857,151 B2	12/2010	Barrese	
2010/0147407 A1	6/2010	Rosko et al.	

* cited by examiner

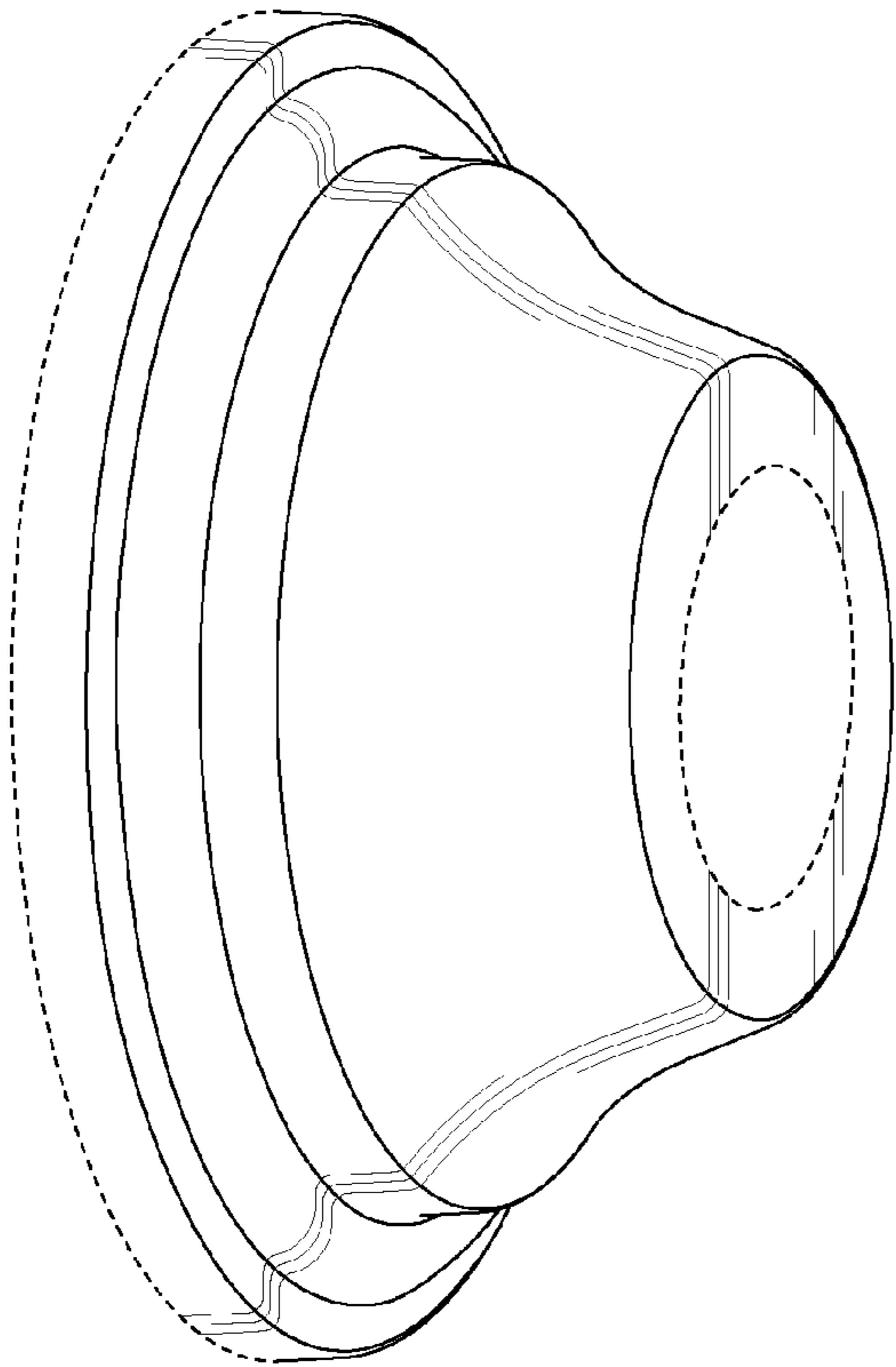


FIG. 1

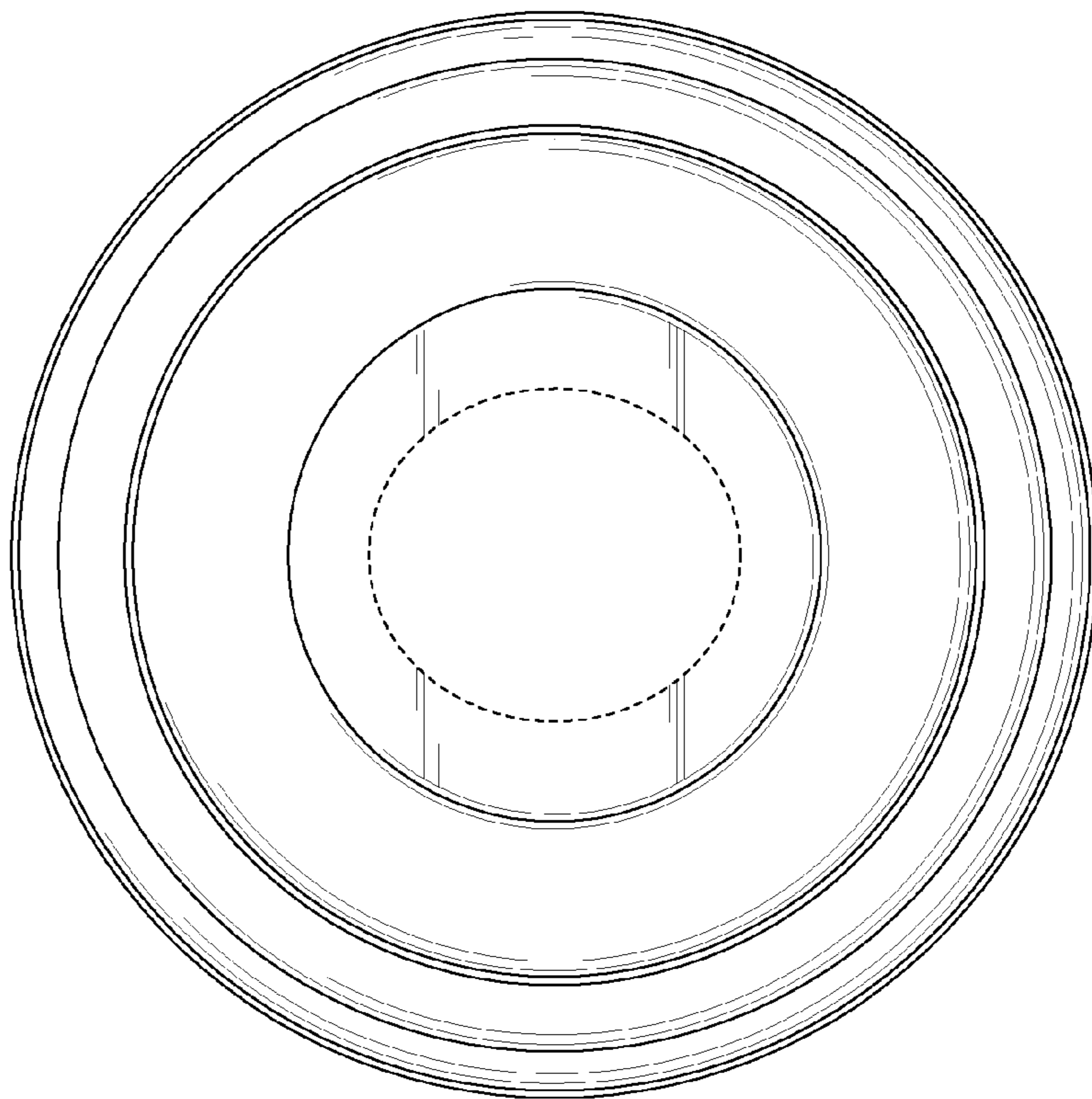


FIG. 2

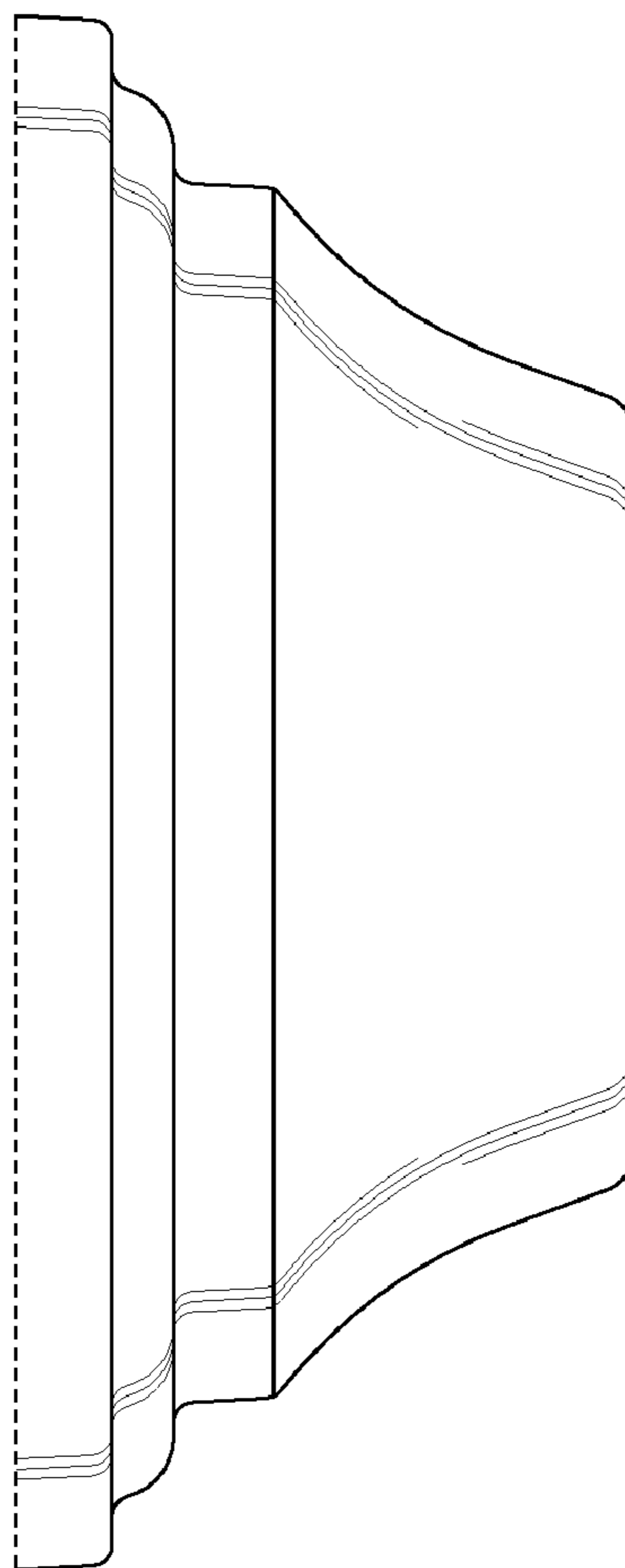


FIG. 3



FIG. 4