



US00D640076S

(12) **United States Design Patent**  
**Hamilton et al.**

(10) **Patent No.:** **US D640,076 S**

(45) **Date of Patent:** **\*\* Jun. 21, 2011**

(54) **WORKSURFACE ASSEMBLY**

(75) Inventors: **John R. Hamilton**, Emeryville, CA (US); **Andre K. Dettler**, Brooklyn, NY (US); **Helen A. Buckley**, Grand Rapids, MI (US)

(73) Assignee: **Steelcase, Inc.**, Grand Rapids, MI (US)

(\*\*) Term: **14 Years**

(21) Appl. No.: **29/364,422**

(22) Filed: **Jun. 23, 2010**

**Related U.S. Application Data**

(63) Continuation of application No. 12/471,874, filed on May 26, 2009.

(51) **LOC (9) Cl.** ..... **06-06**

(52) **U.S. Cl.** ..... **D6/511**

(58) **Field of Classification Search** ..... D6/480-489, D6/495-499, 429-430, 477, 479, 349, 436; 108/153.1, 155, 156, 161, 50.01, 50.02; 248/188, 248/188.1, 188.8  
See application file for complete search history.

(56) **References Cited**

**U.S. PATENT DOCUMENTS**

3,289,616 A \* 12/1966 Donihi ..... 108/161  
D207,972 S \* 6/1967 Bellaire ..... D25/68  
6,216,606 B1 \* 4/2001 Kathardekar et al. .... 108/50.02  
6,283,043 B1 \* 9/2001 Stern et al. .... 108/50.02  
D558,490 S \* 1/2008 Christensen ..... D6/484

D559,015 S \* 1/2008 Soressi ..... D6/480  
D604,966 S \* 12/2009 Hamilton et al. .... D6/487  
2005/0284341 A1 \* 12/2005 Klassy et al. .... 108/50.02

\* cited by examiner

*Primary Examiner* — Janice Seeger

(74) *Attorney, Agent, or Firm* — Price, Heneveld, Cooper, DeWitt & Litton, LLP

(57) **CLAIM**

The ornamental design for a worksurface assembly, as shown and described.

**DESCRIPTION**

FIG. 1 is an isometric view of a worksurface assembly, showing our new design;

FIG. 2 is a front elevational view;

FIG. 3 is a rear elevational view;

FIG. 4 is a top plan view;

FIG. 5 is a bottom plan view;

FIG. 6 is a left-hand side elevational view;

FIG. 7 is a right-hand side elevational view;

FIG. 8 is an enlarged view of a portion of the worksurface assembly of FIG. 1;

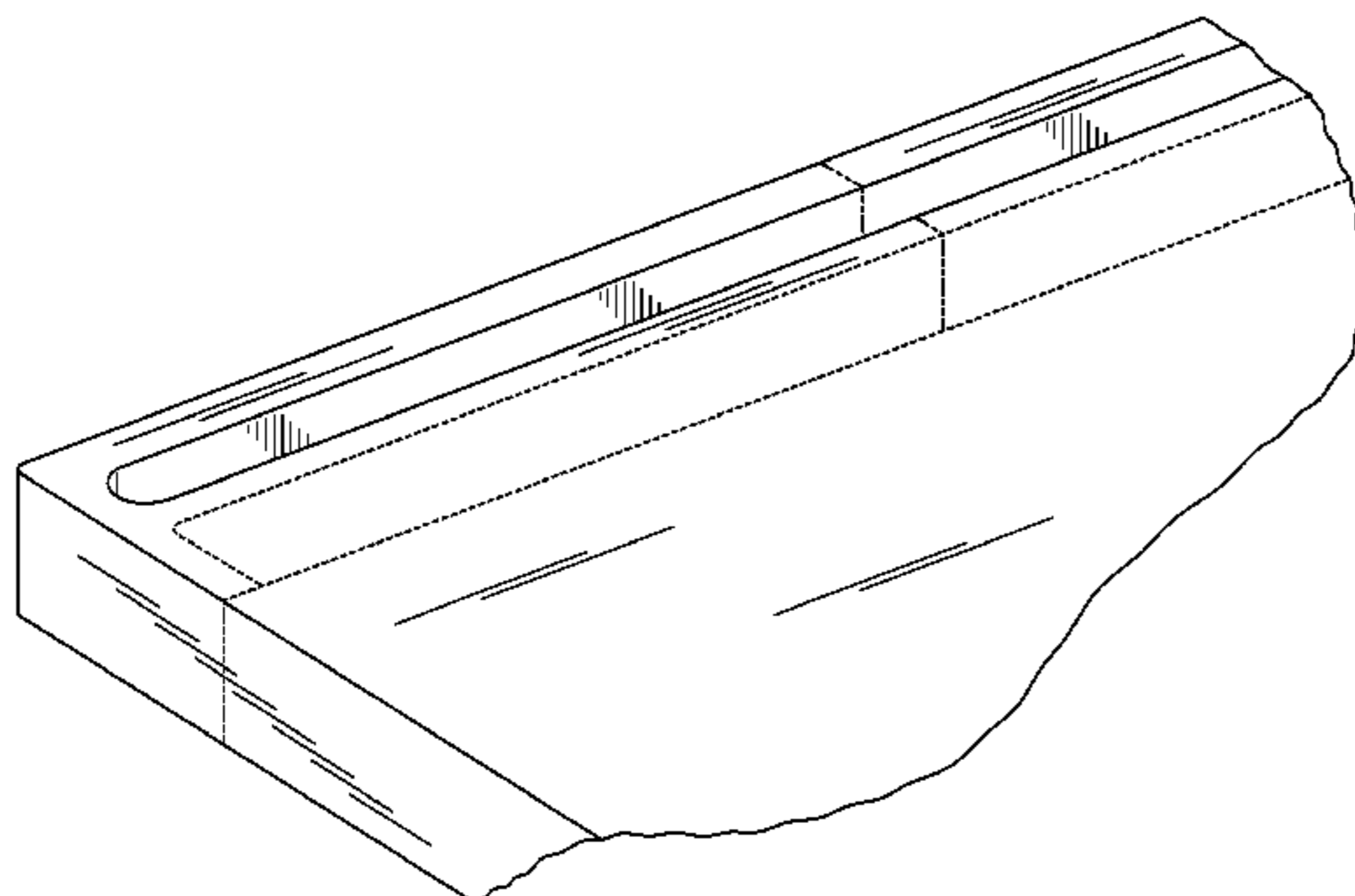
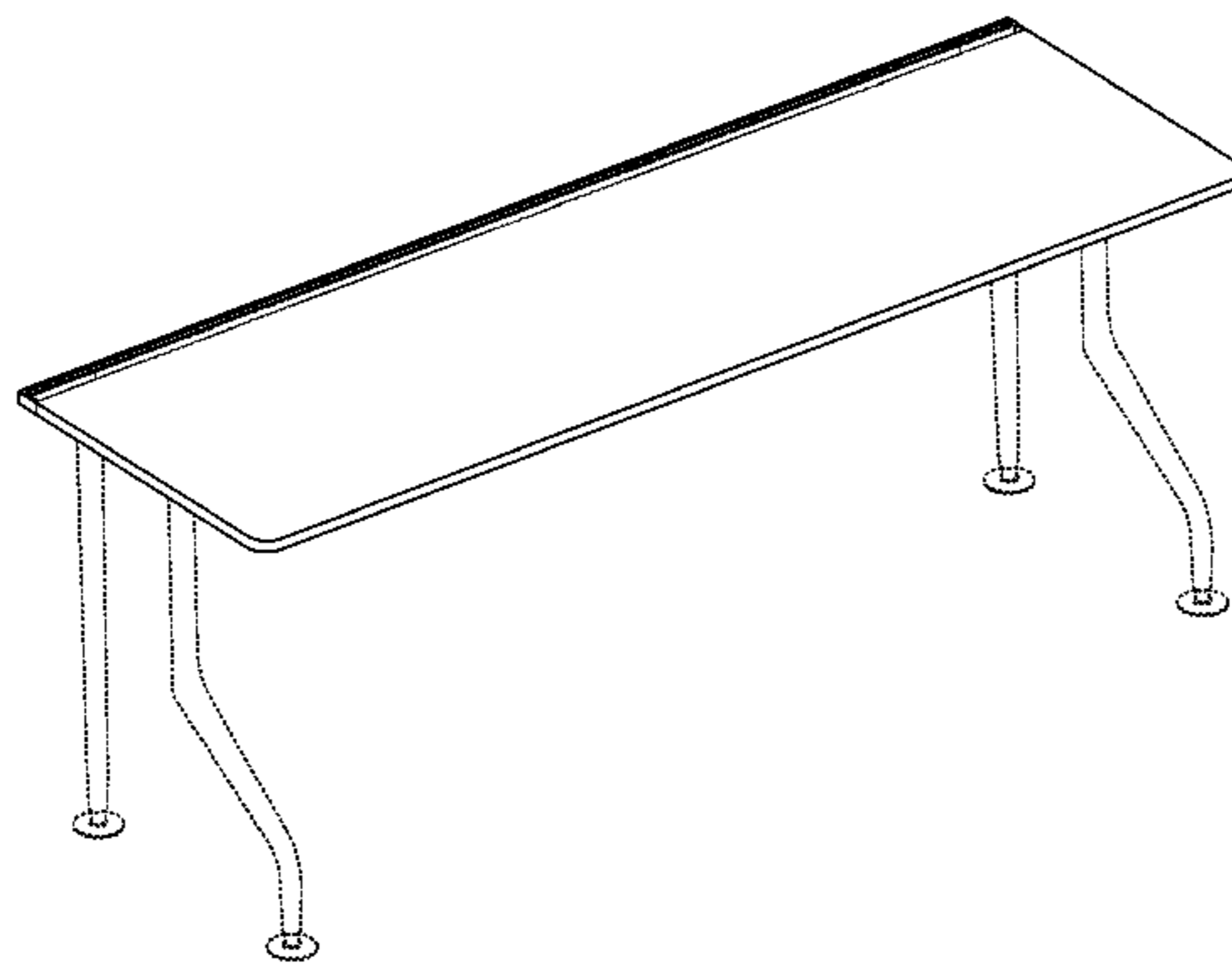
FIG. 9 is an enlarged view of a portion of the worksurface assembly of FIG. 1;

FIG. 10 is an enlarged view of a portion of the worksurface assembly of FIG. 4; and,

FIG. 11 is an enlarged view of a portion of the worksurface assembly of FIG. 4.

The dashed lines in the figures show the environment of the present design and are not part of the present design.

**1 Claim, 10 Drawing Sheets**



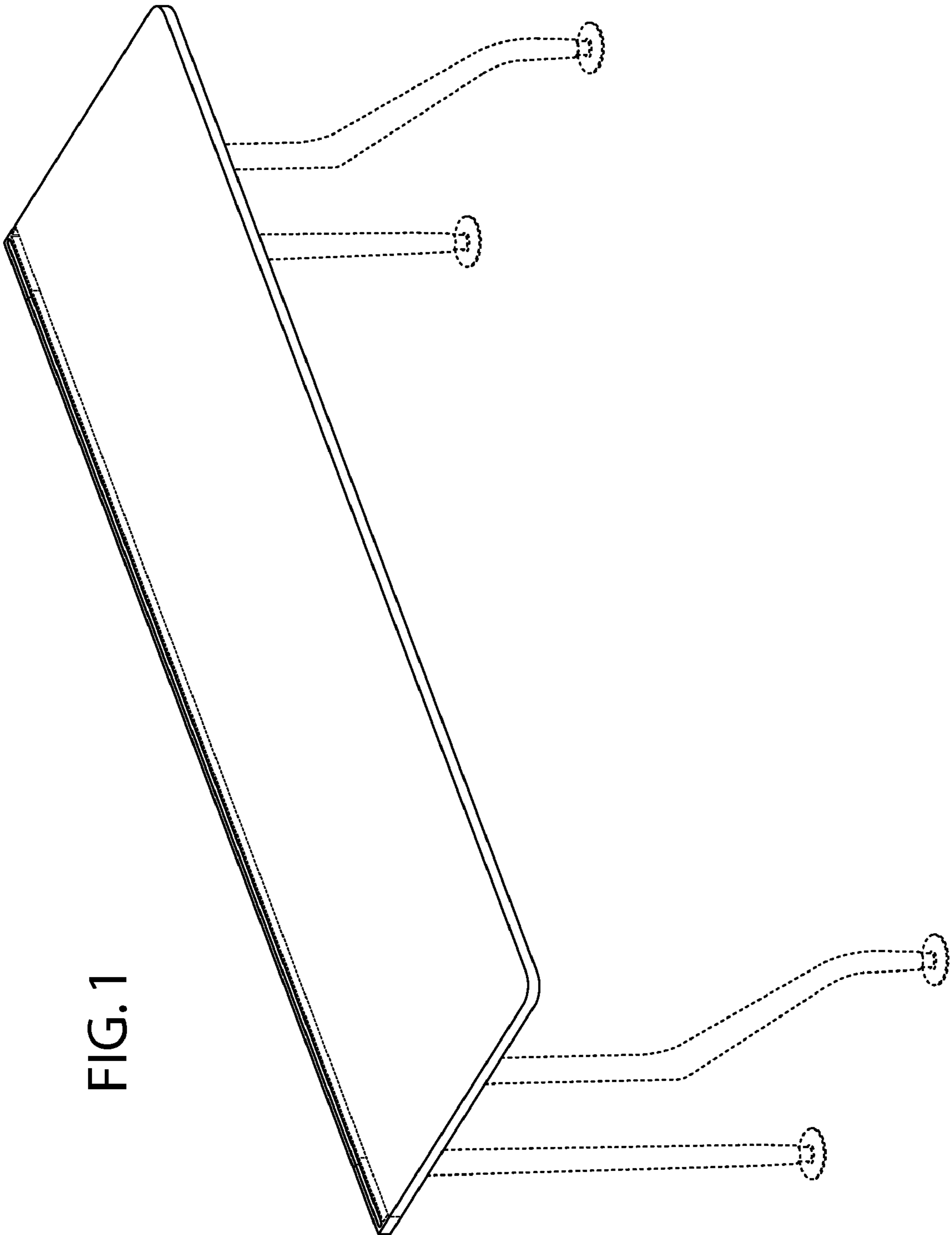


FIG. 1

FIG. 2

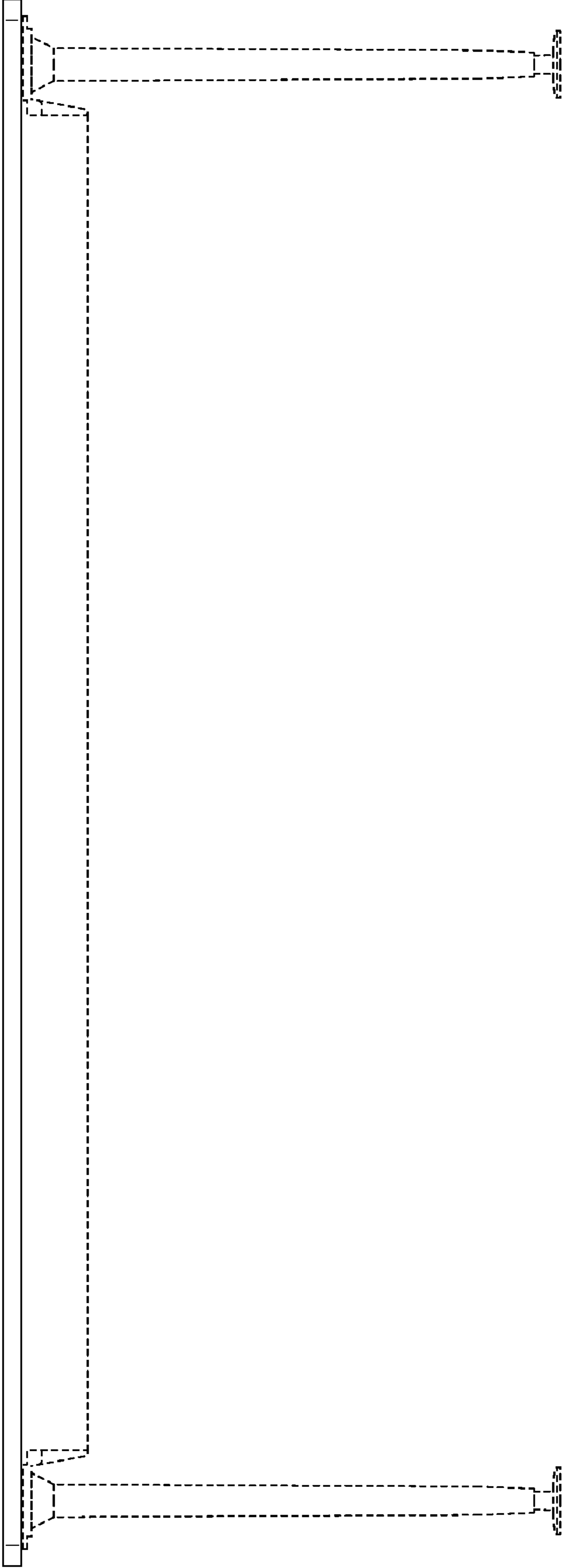
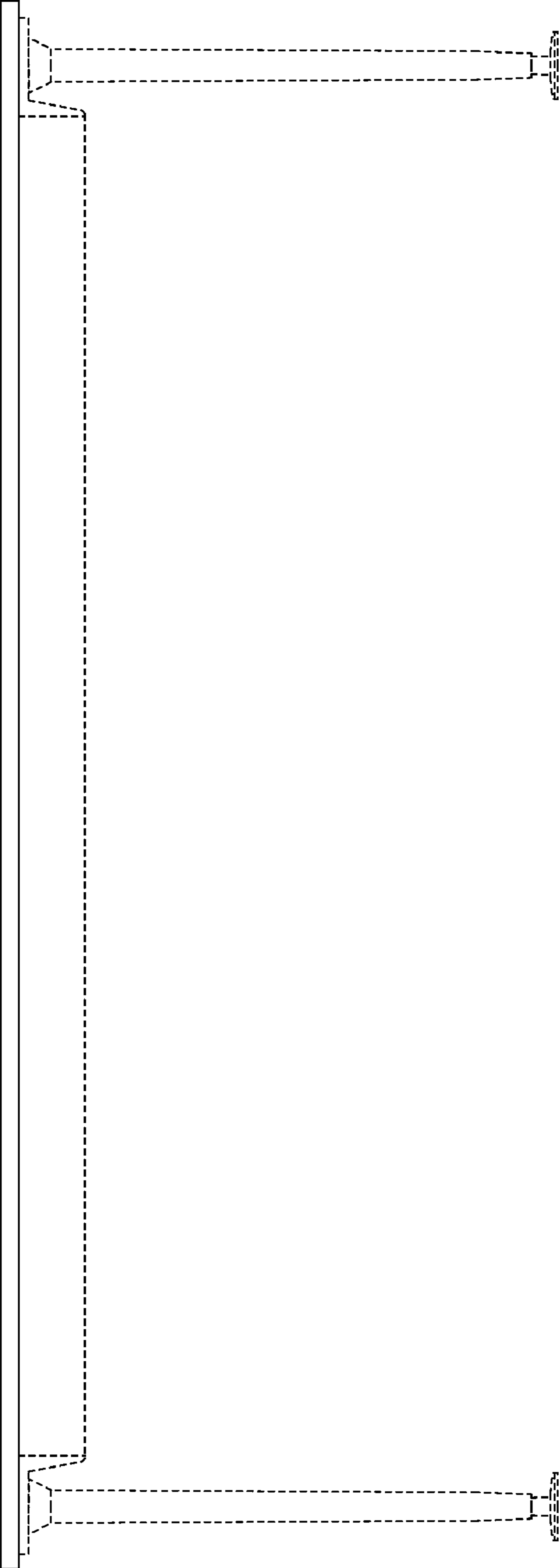


FIG. 3



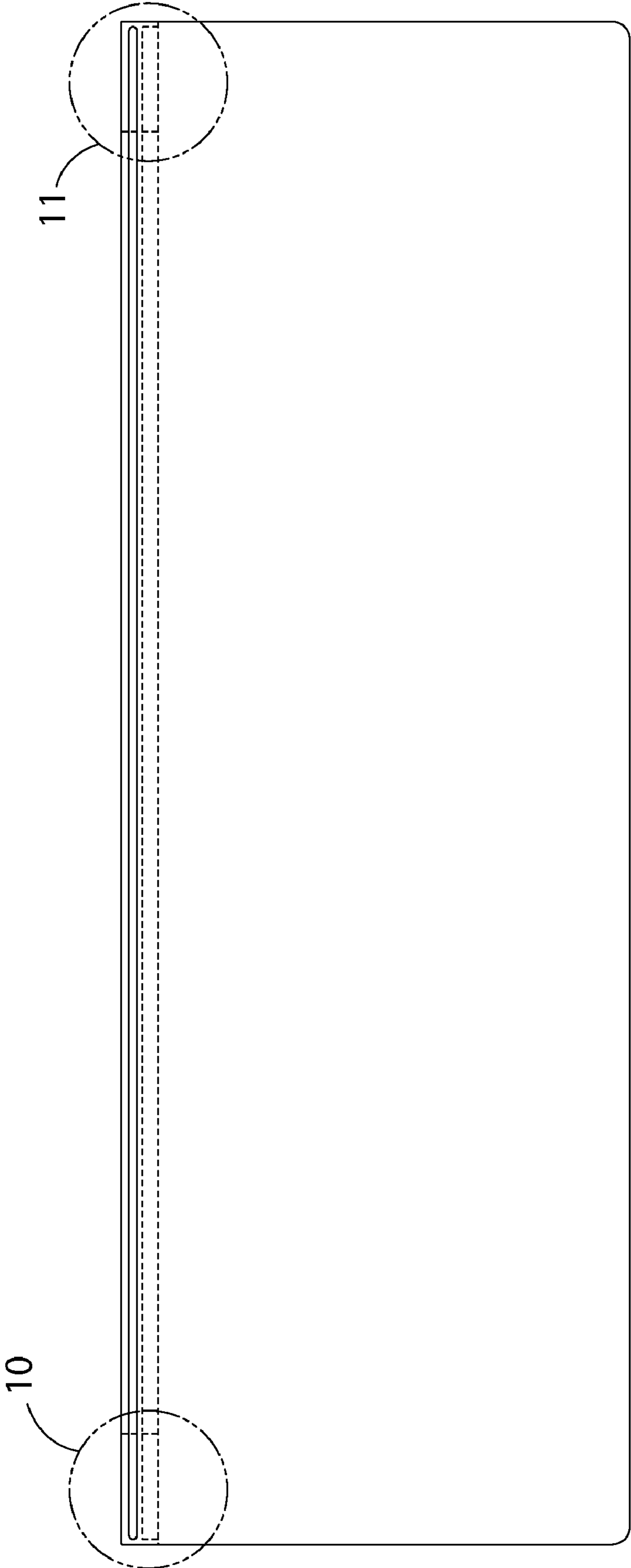
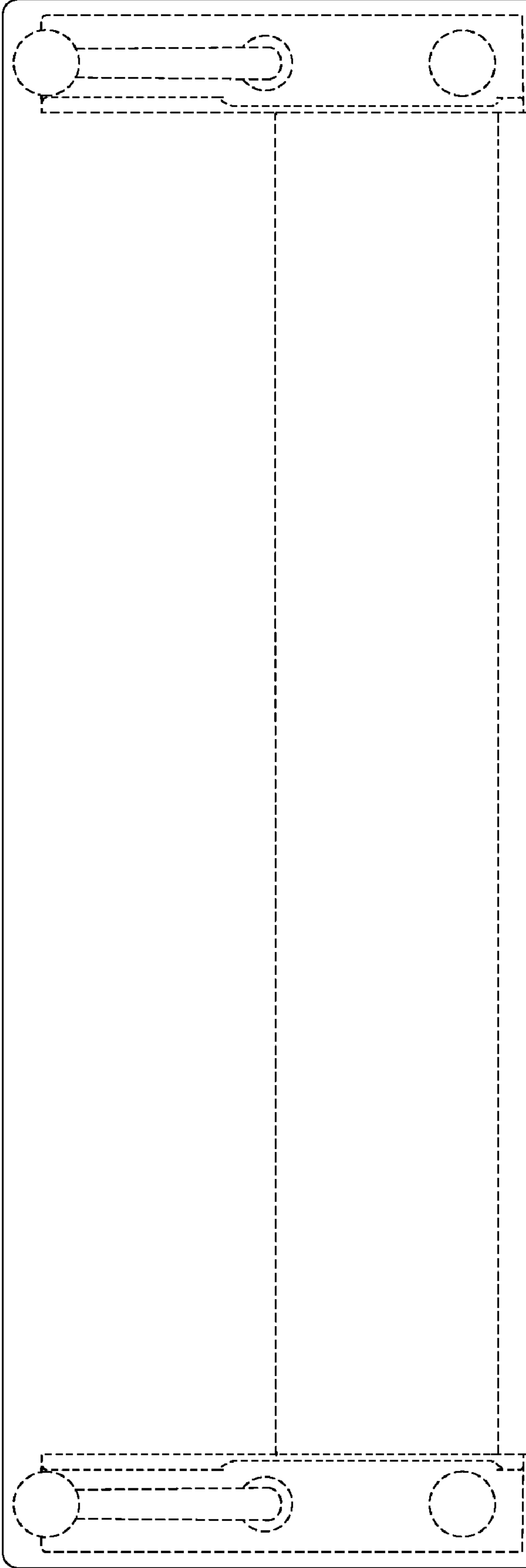
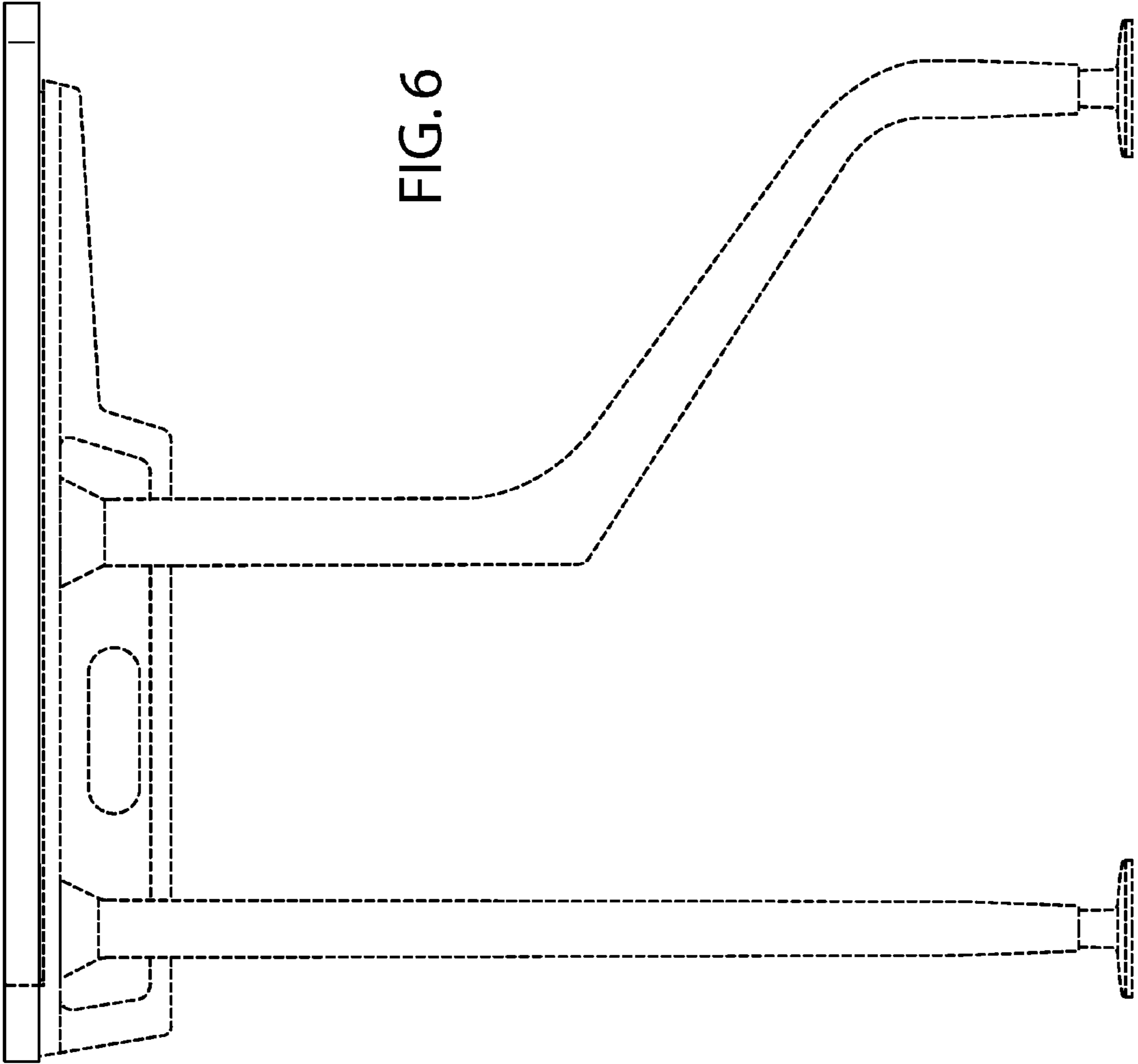


FIG.4

FIG. 5





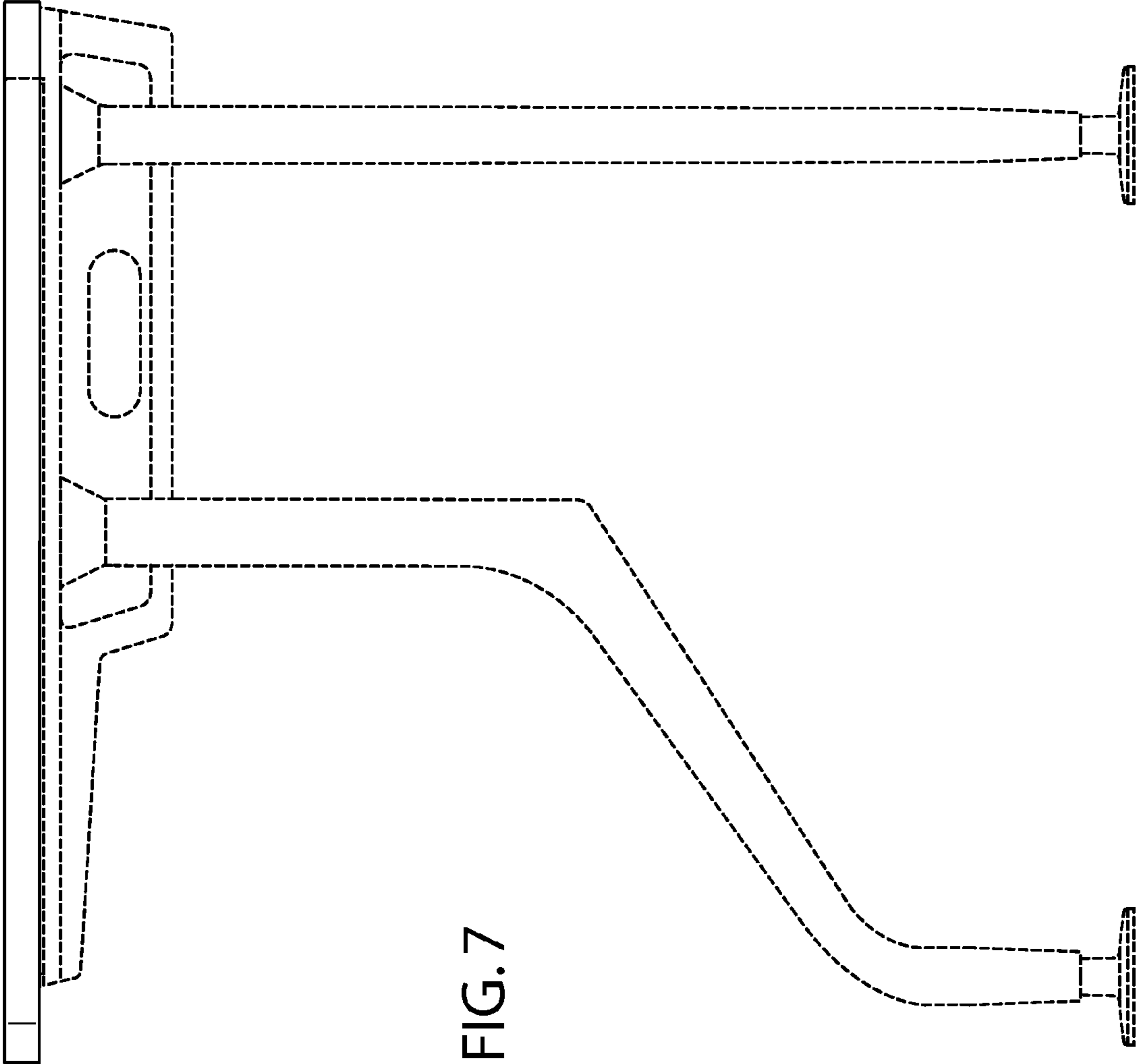


FIG. 7



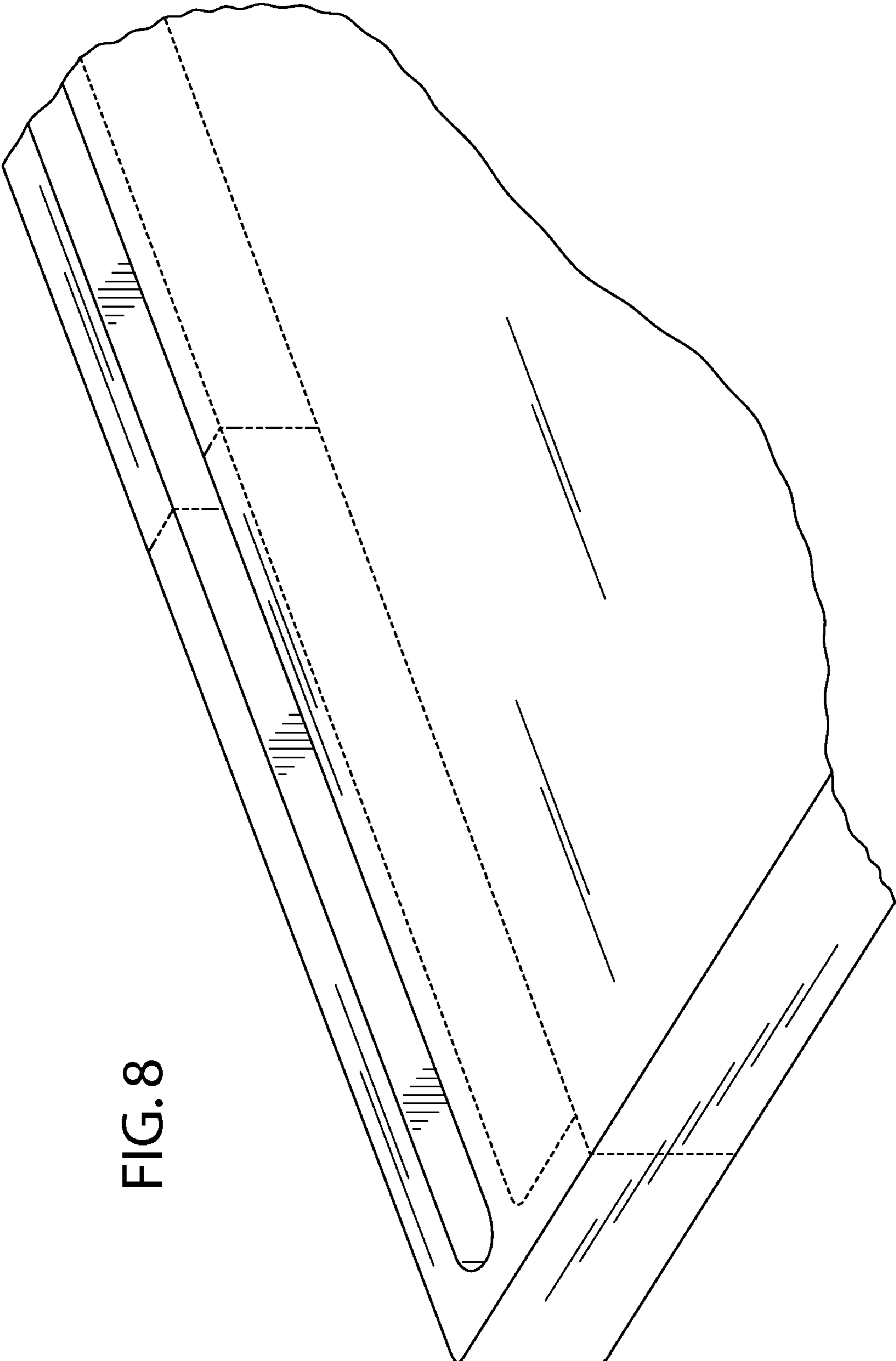


FIG. 8

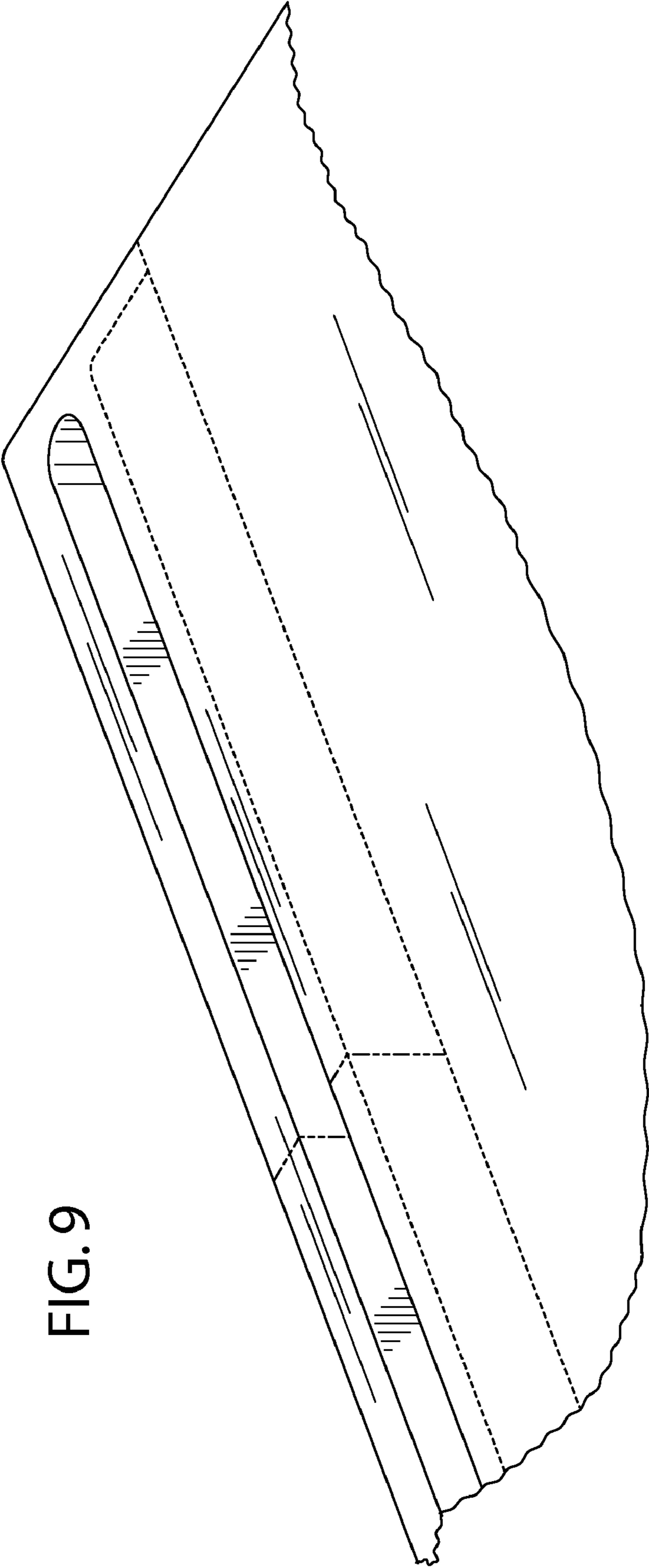


FIG. 9

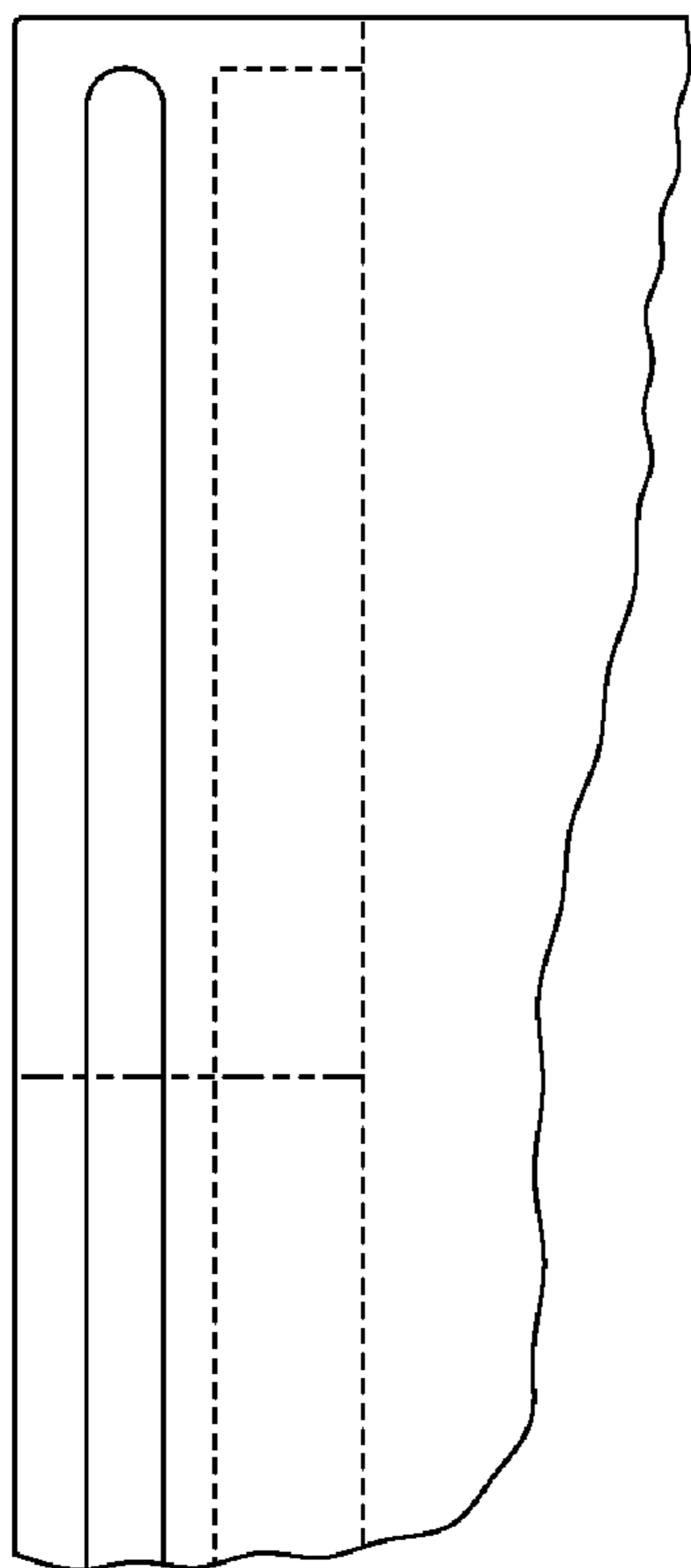


FIG. 10

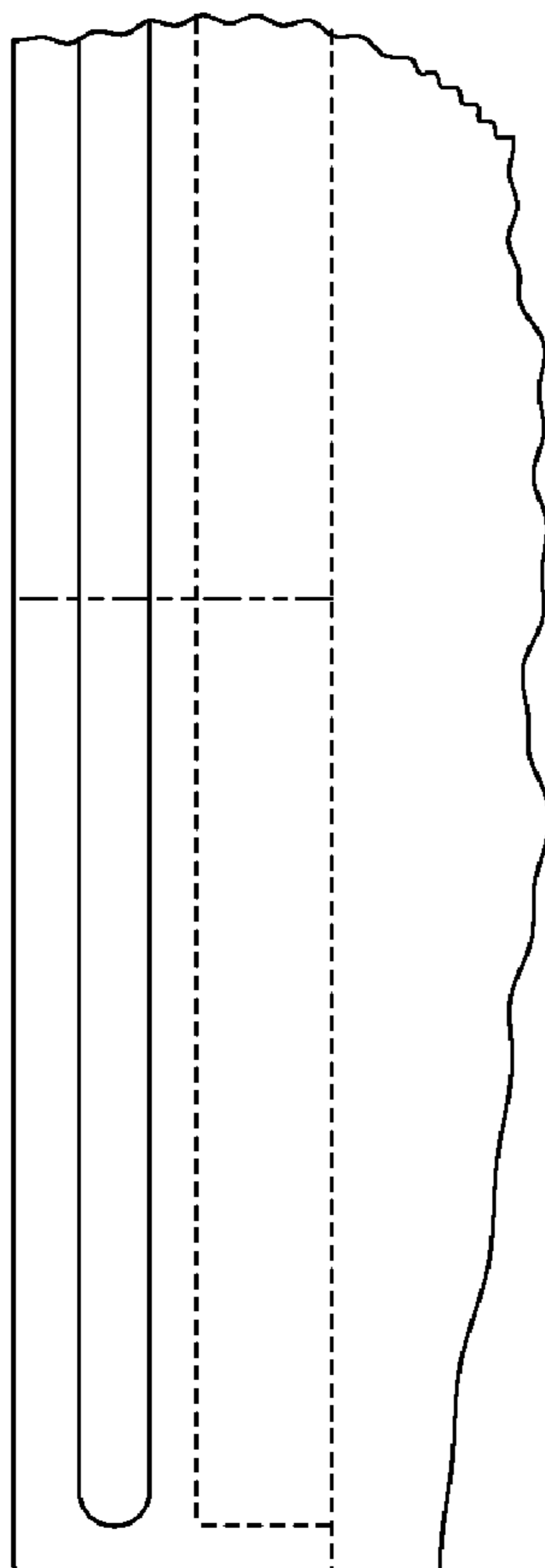


FIG. 11

UNITED STATES PATENT AND TRADEMARK OFFICE  
**CERTIFICATE OF CORRECTION**

PATENT NO. : D640,076 S  
APPLICATION NO. : 29/364422  
DATED : June 21, 2011  
INVENTOR(S) : John R. Hamilton, Andre K. Dettler and Helen A. Buckley

Page 1 of 1

It is certified that error appears in the above-identified patent and that said Letters Patent is hereby corrected as shown below:

On the Title Page

Item (73) Assignee:

“Steelcase, Inc.” should read --Steelcase Inc.--

Signed and Sealed this  
Ninth Day of August, 2011

A handwritten signature in black ink that reads "David J. Kappos". The signature is written in a cursive, slightly slanted style.

David J. Kappos  
*Director of the United States Patent and Trademark Office*