



US00D640075S

(12) **United States Design Patent**  
**Petrick et al.**

(10) **Patent No.:** **US D640,075 S**  
(45) **Date of Patent:** **\*\* Jun. 21, 2011**

(54) **TABLE LEG**

(75) Inventors: **Tad Petrick**, Evanston, IL (US); **Philip Sopicki**, Glenview, IN (US); **Chris Brandel**, Chicago, IL (US); **Cary Brown**, Round Lake, IL (US); **Morad Ghassemian**, Oak Park, IL (US); **Chris Kalujian**, Chicago, IL (US)

(73) Assignee: **Bretford Manufacturing, Inc.**, Franklin Park, IL (US)

(\*\*) Term: **14 Years**

(21) Appl. No.: **29/353,654**

(22) Filed: **Jan. 12, 2010**

(51) **LOC (9) Cl.** ..... **06-06**

(52) **U.S. Cl.** ..... **D6/495**

(58) **Field of Classification Search** ..... D6/480-489,  
D6/495, 499, 451, 429-431; 108/153.1,  
108/156, 157, 161; 248/188, 188.1, 188.7,  
248/188.8

See application file for complete search history.

(56) **References Cited**

U.S. PATENT DOCUMENTS

D314,299 S \* 2/1991 Diffrient ..... D6/495  
D322,729 S \* 12/1991 Diffrient ..... D6/487  
D343,311 S \* 1/1994 Ball ..... D6/487

D489,551 S \* 5/2004 Cesaroni et al. .... D6/480  
D492,505 S \* 7/2004 Newhouse ..... D6/429  
D530,543 S \* 10/2006 High ..... D6/480

\* cited by examiner

*Primary Examiner* — Janice Seeger

(74) *Attorney, Agent, or Firm* — Anderson Gorecki & Manaras LLP

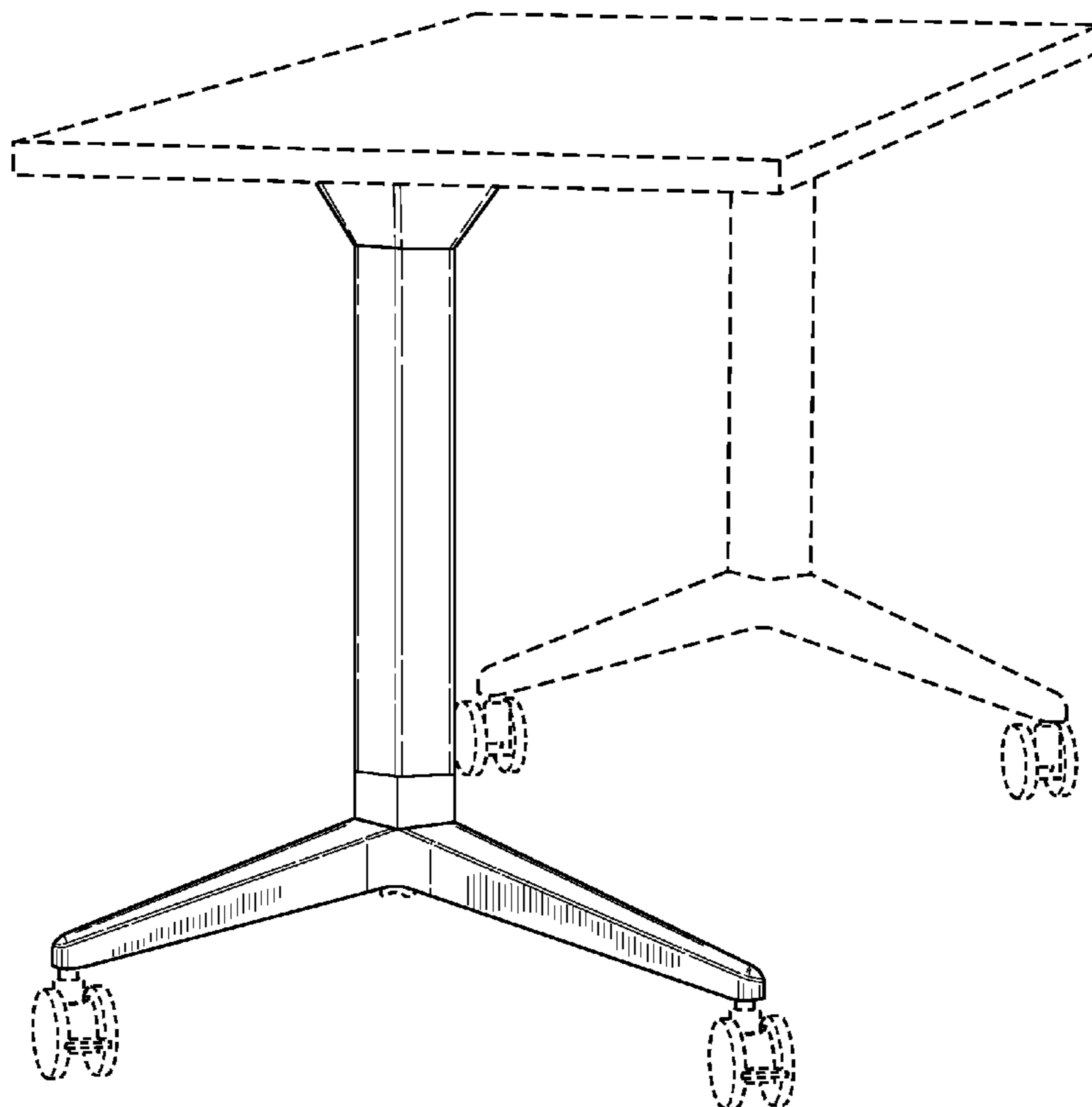
(57) **CLAIM**

The ornamental design for a table leg, as shown and described.

**DESCRIPTION**

FIG. 1 is a front perspective view of a table leg, showing our new design;  
FIG. 2 is a front elevational view, the rear being identical thereto;  
FIG. 3 is a left side elevational view, the right side being identical thereto;  
FIG. 4 is a bottom plan view thereof;  
FIG. 5 is a front view of the table leg of our new design;  
FIG. 6 is a rear view of the table leg of FIG. 5;  
FIG. 7 is a right side view of the table leg of FIG. 5;  
FIG. 8 is a left side view of the table leg of FIG. 5;  
FIG. 9 is a top plan view of the table leg of FIG. 5; and,  
FIG. 10 is a bottom plan view of the table leg of FIG. 5.  
The broken lines shown in the drawings are for illustrative purposes only and form no part of the claimed design.

**1 Claim, 8 Drawing Sheets**



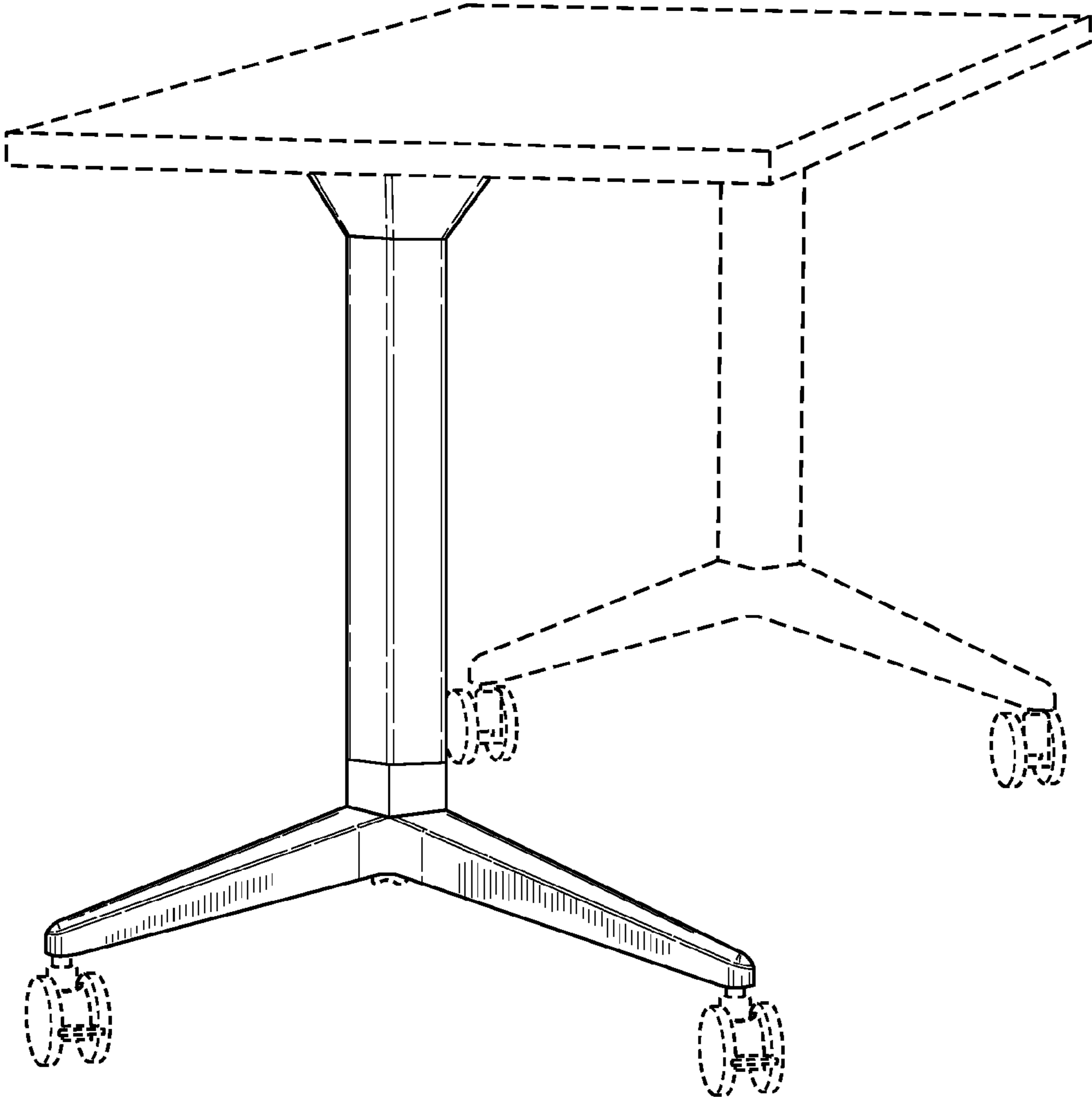
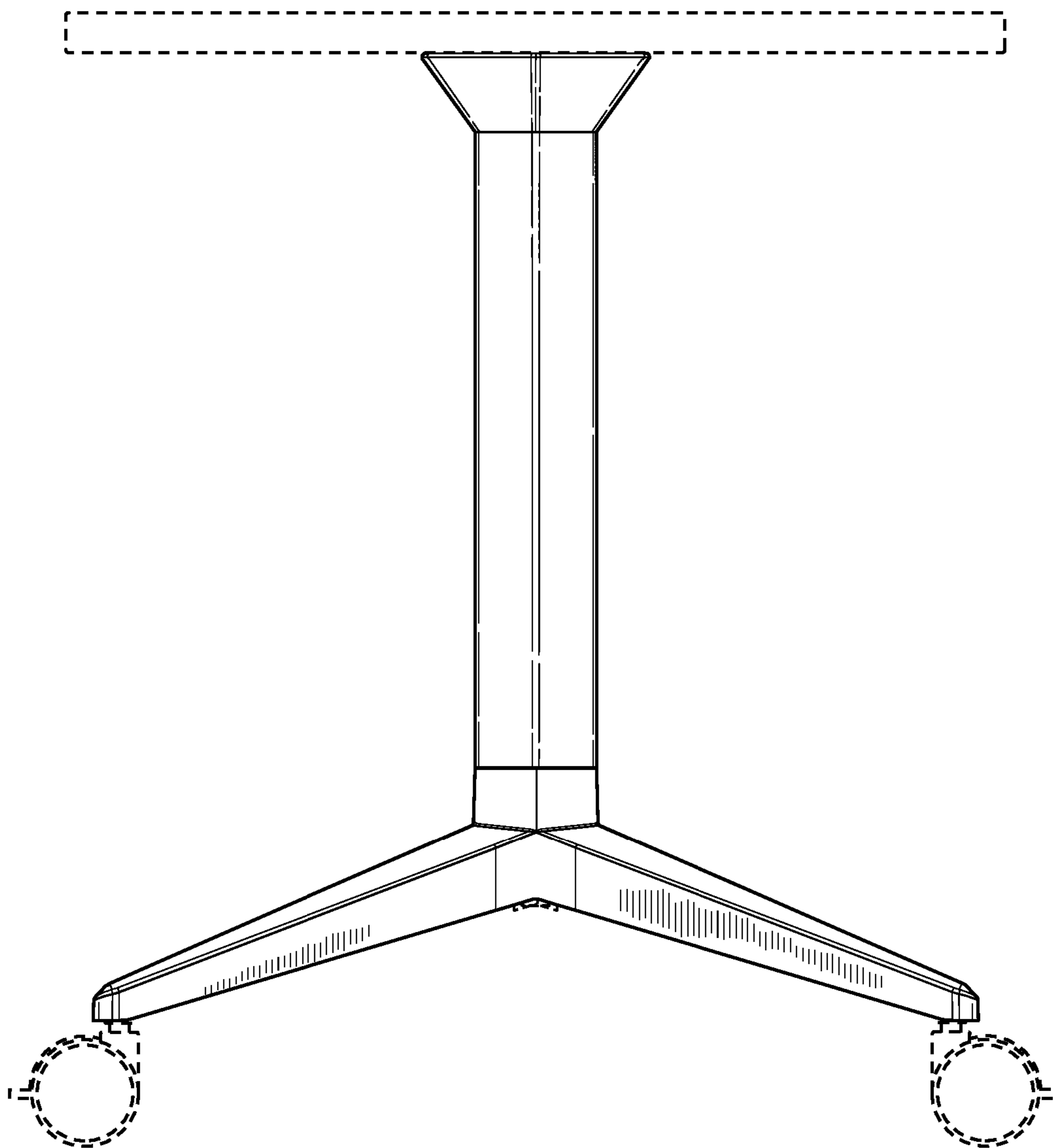


FIG. 1



**FIG. 2**

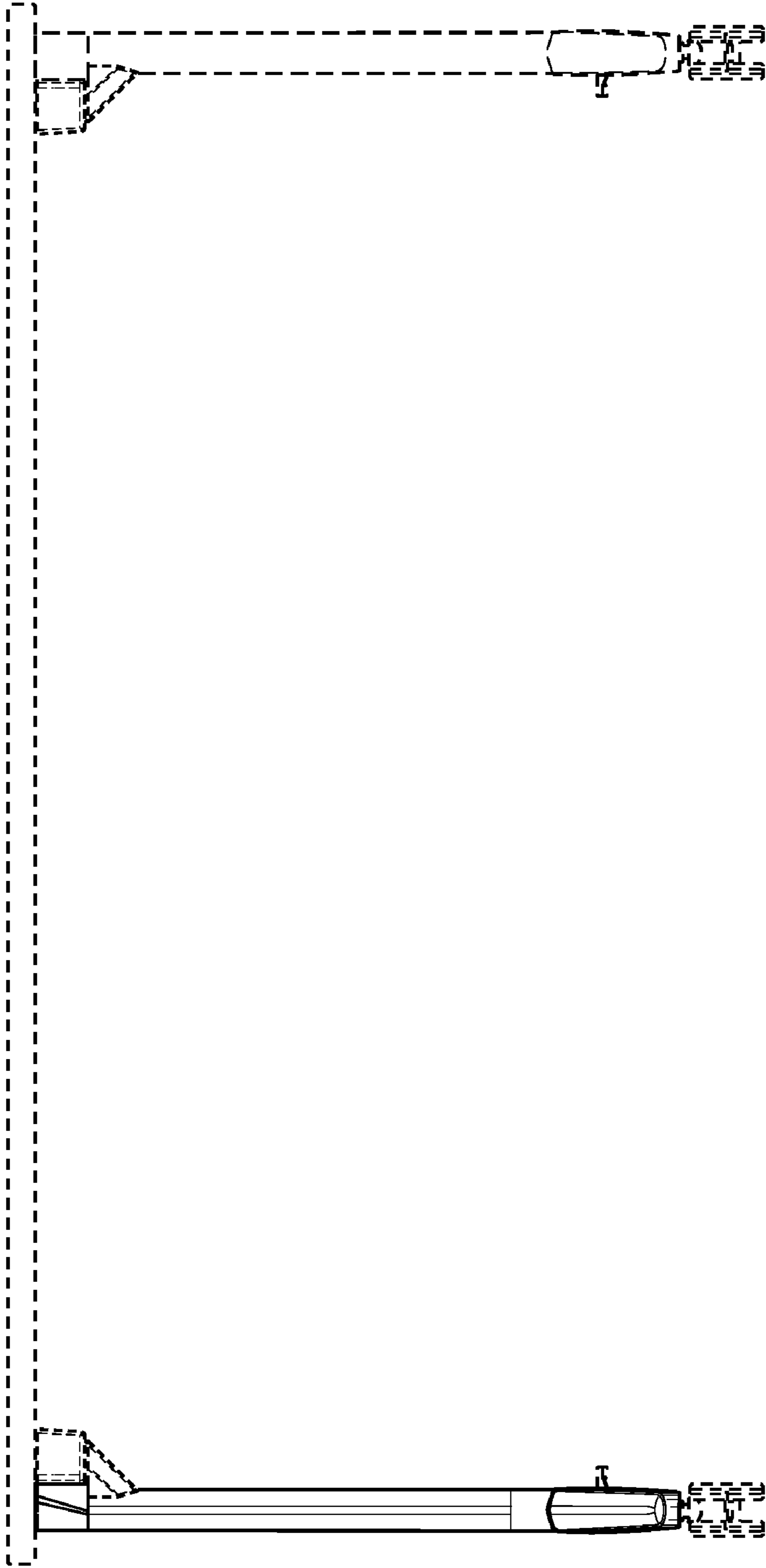


FIG. 3

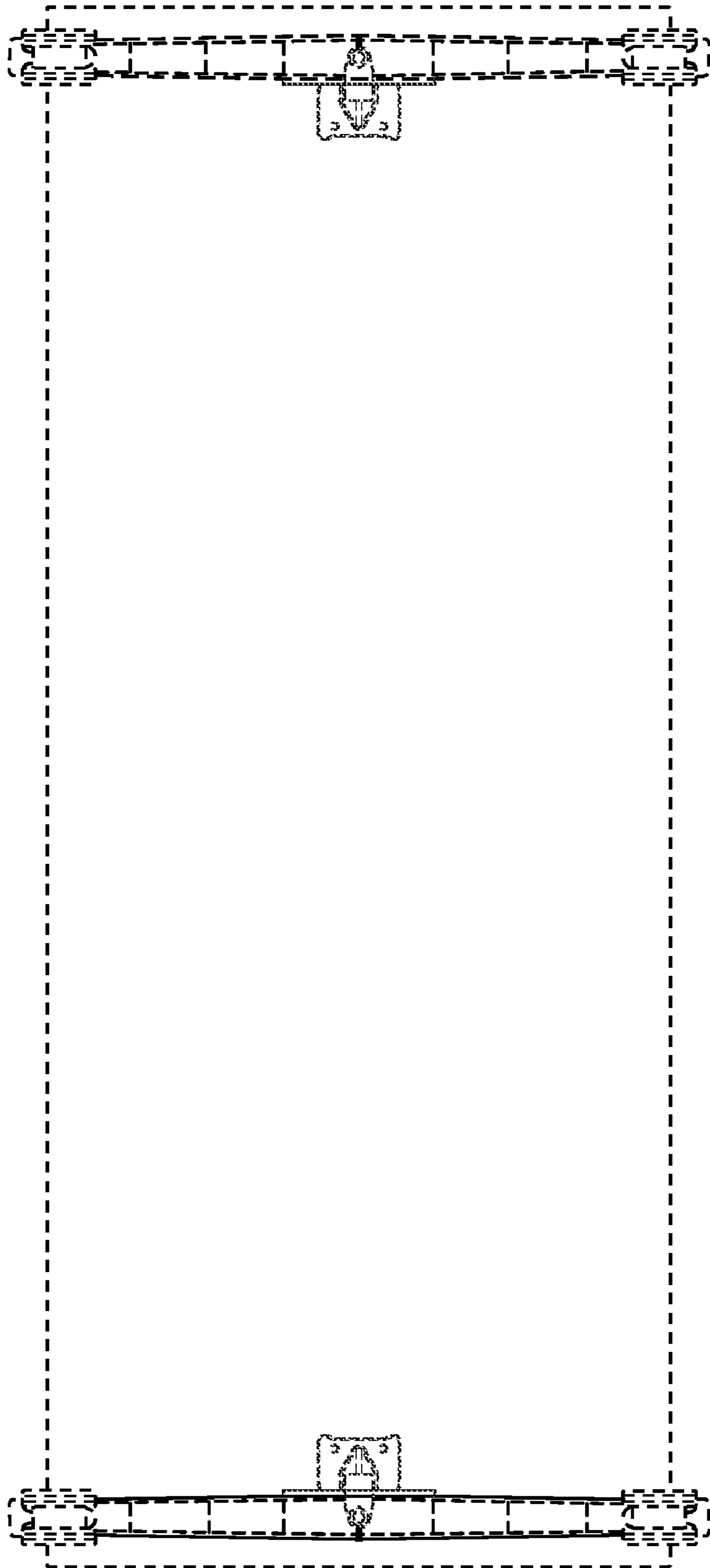
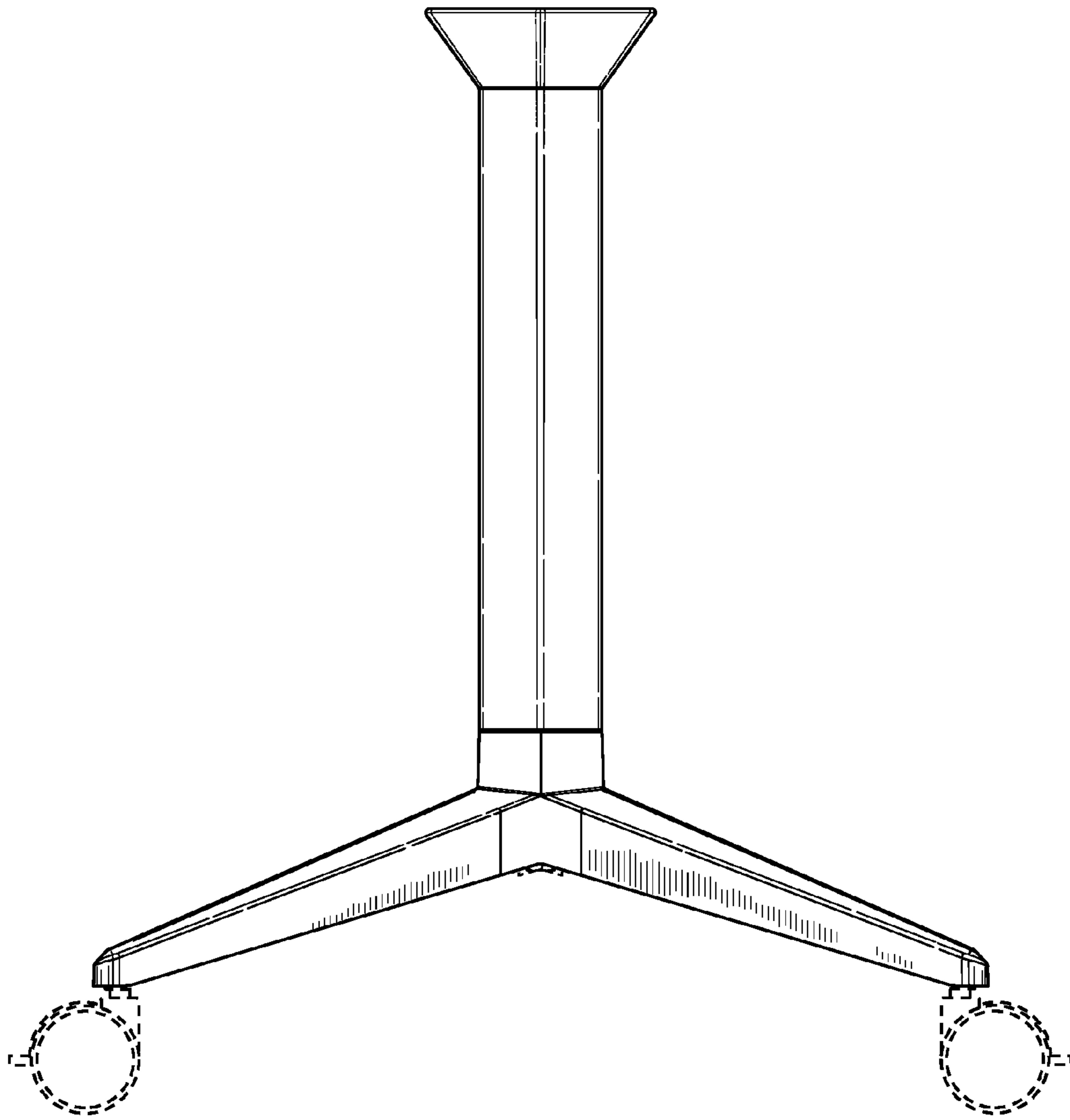


FIG. 4



**FIG. 5**

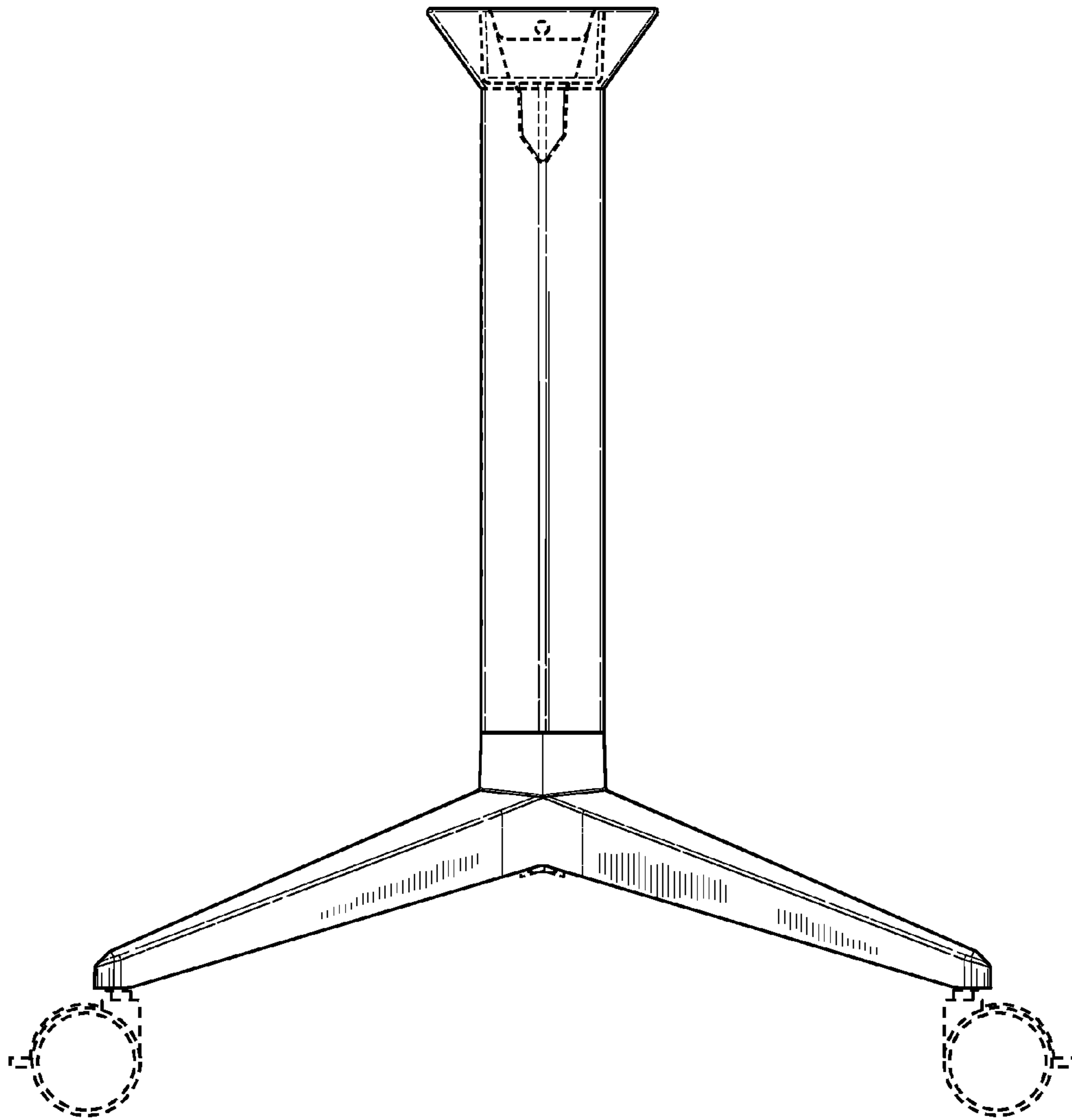


FIG. 6

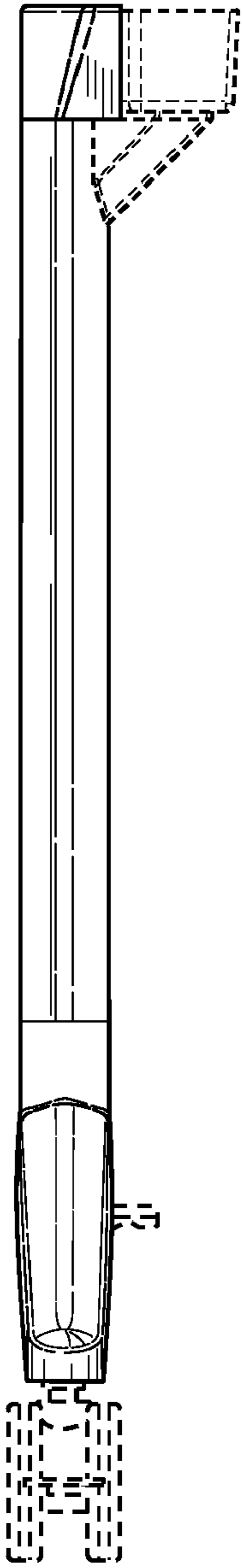


FIG. 7

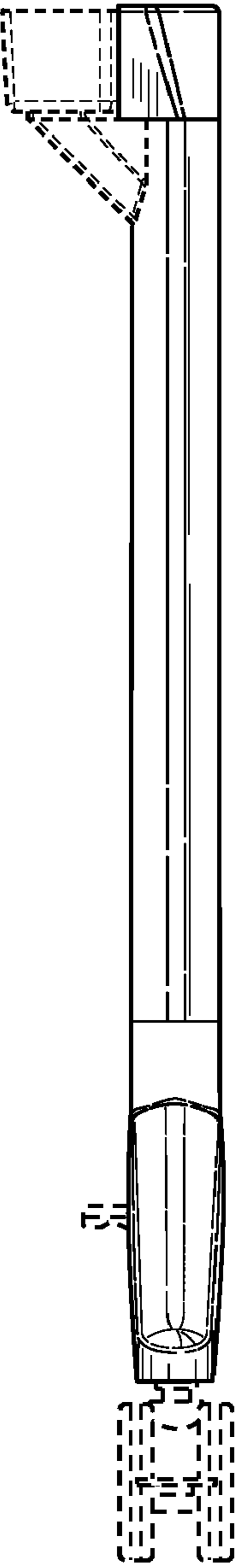
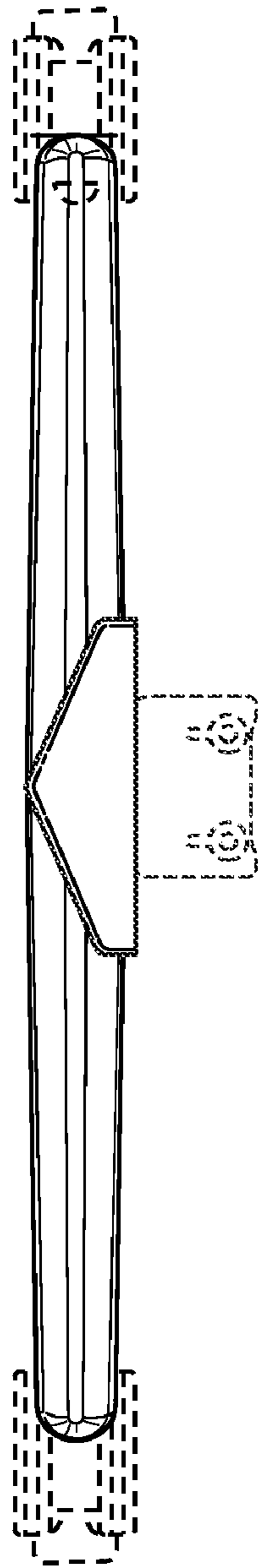
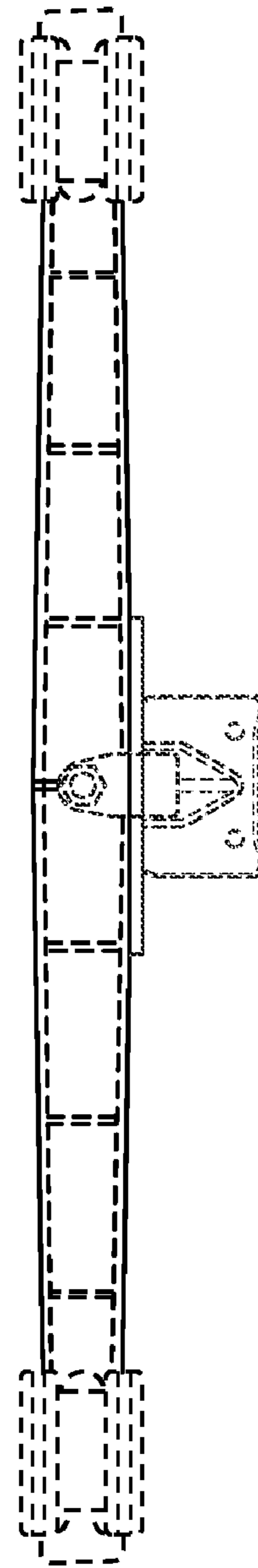


FIG. 8





**FIG. 9**



**FIG. 10**