



US00D640073S

(12) **United States Design Patent**  
**Cortivo et al.**

(10) **Patent No.:** **US D640,073 S**  
(45) **Date of Patent:** **\*\* Jun. 21, 2011**

- (54) **DESK**
- (75) Inventors: **Paolo Cortivo**, Treviso (IT); **Piergiorgio Polloni**, Treviso (IT); **Stefano Gabriel**, Treviso (IT)
- (73) Assignee: **Quadrifoglio Sistemi D'Arredo S.p.A.**, Mansue' (IT)
- (\*\*) Term: **14 Years**
- (21) Appl. No.: **29/347,689**
- (22) Filed: **Apr. 12, 2010**

|                   |         |                |       |           |
|-------------------|---------|----------------|-------|-----------|
| D431,398 S *      | 10/2000 | Luong et al.   | ..... | D6/484    |
| D456,180 S *      | 4/2002  | Satoshi        | ..... | D6/480    |
| 6,895,868 B1 *    | 5/2005  | Cronk et al.   | ..... | 108/50.02 |
| D541,559 S *      | 5/2007  | Lewis          | ..... | D6/484    |
| D567,551 S *      | 4/2008  | Verbeek et al. | ..... | D6/495    |
| D588,842 S *      | 3/2009  | Saotome        | ..... | D6/480    |
| 2006/0042520 A1 * | 3/2006  | Stevens et al. | ..... | 108/50.02 |
| 2008/0127864 A1 * | 6/2008  | Garcia         | ..... | 108/50.01 |
| 2009/0165679 A1 * | 7/2009  | Bakker et al.  | ..... | 108/50.02 |

\* cited by examiner

*Primary Examiner* — Janice Seeger  
(74) *Attorney, Agent, or Firm* — Modiano & Associati; Albert Josif; Daniel J. O'Byrne

**Related U.S. Application Data**

- (62) Division of application No. 29/311,762, filed on Jun. 15, 2009.

**Foreign Application Priority Data**

- Dec. 22, 2008 (EM) ..... 001061220
  - (51) **LOC (9) Cl.** ..... **06-03**
  - (52) **U.S. Cl.** ..... **D6/484**
  - (58) **Field of Classification Search** ..... D6/480-489, D6/495-499; 108/153.1, 156, 157.1, 161, 108/50.01, 50.02, 25, 26; 248/188, 188.1, 248/188.8
- See application file for complete search history.

**References Cited**

**U.S. PATENT DOCUMENTS**

- 1,911,750 A \* 5/1933 Collignon ..... 108/36
- D153,738 S \* 5/1949 Wallance ..... D6/430

(57) **CLAIM**

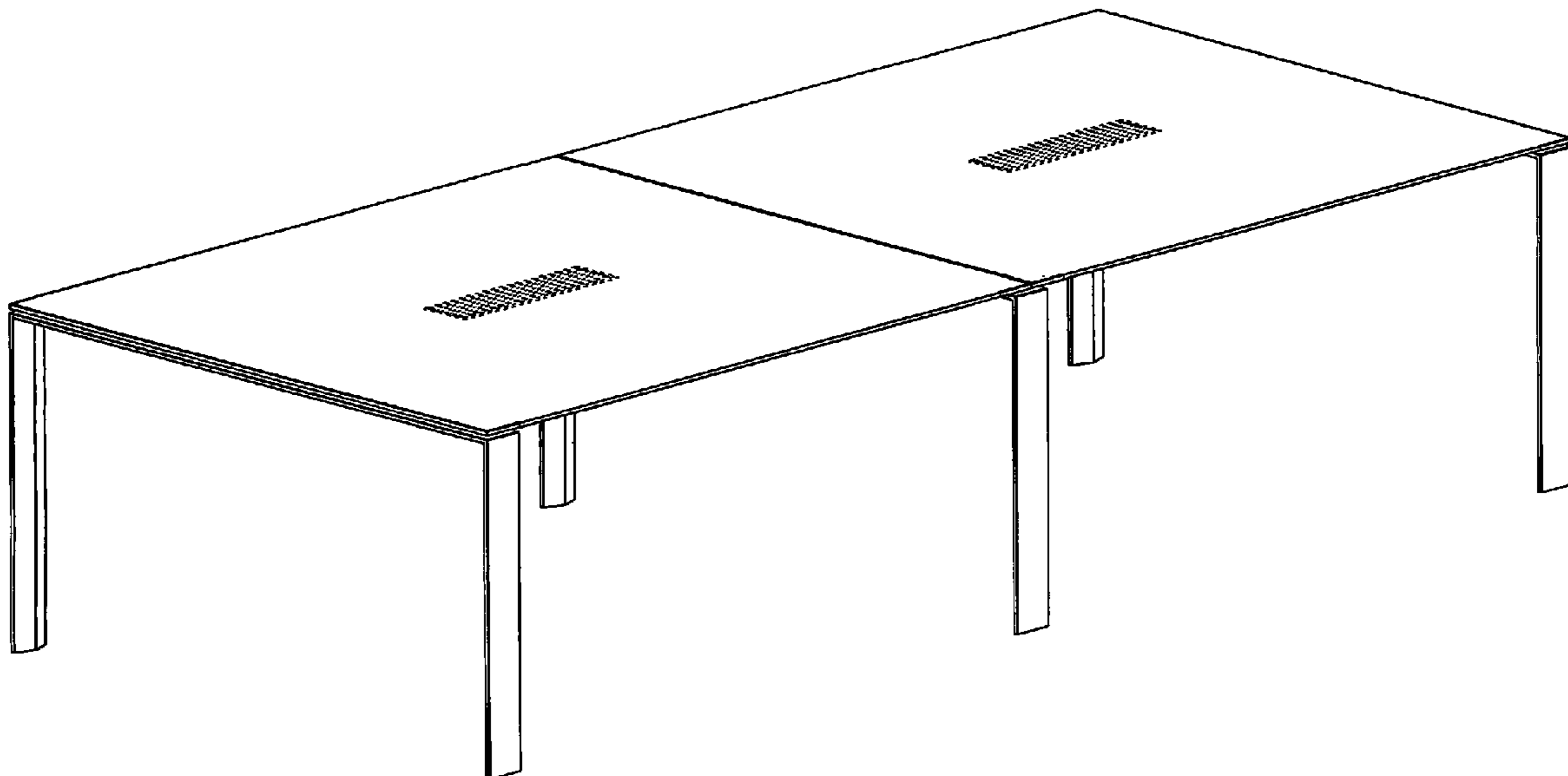
The ornamental design for a desk, as shown.

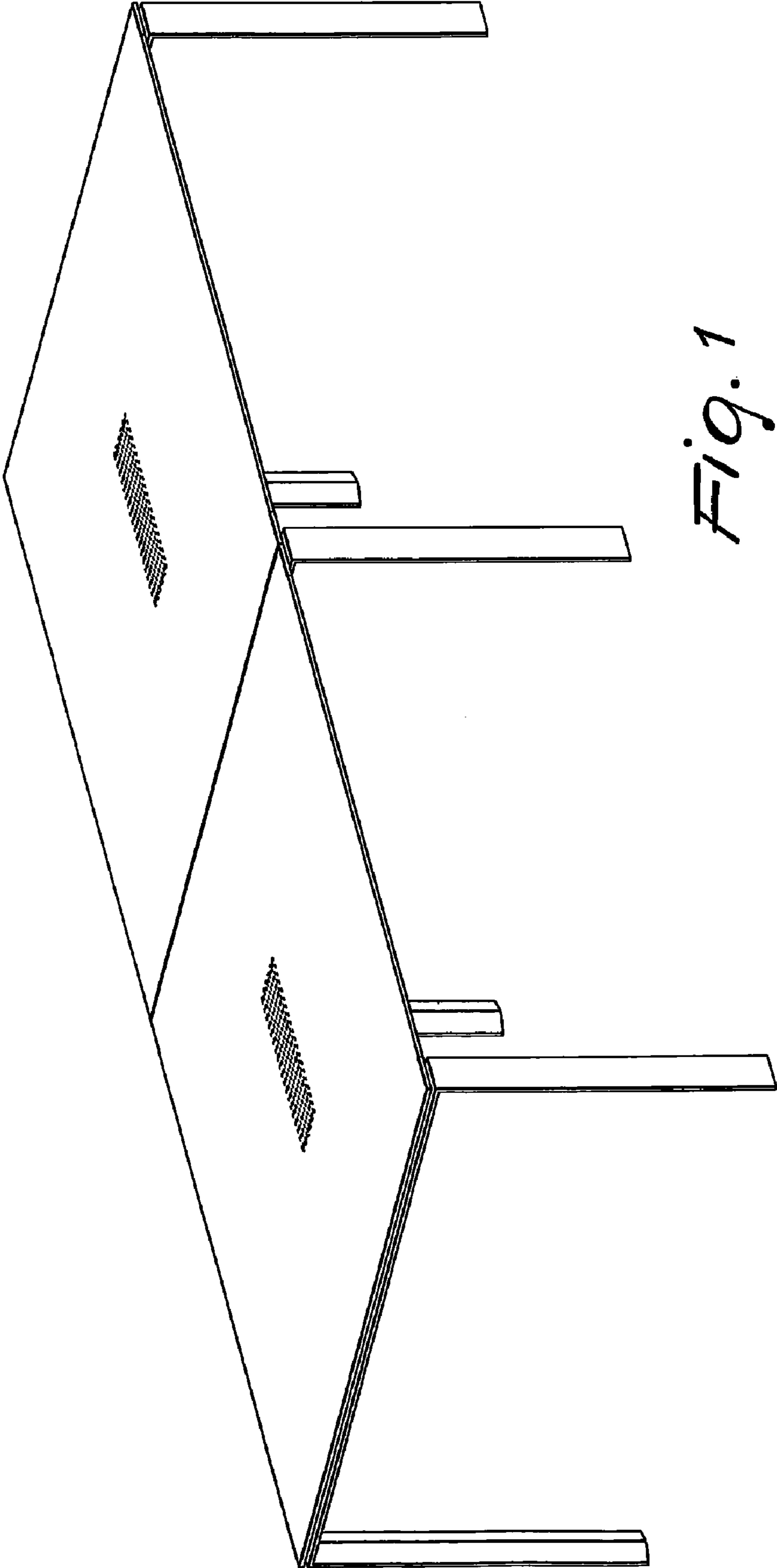
**DESCRIPTION**

FIG. 1 is a perspective view of a desk showing our new design;  
 FIG. 2 is a front view thereof;  
 FIG. 3 is a rear view thereof;  
 FIG. 4 is a left side view thereof;  
 FIG. 5 is a right side view thereof;  
 FIG. 6 is a top view thereof;  
 FIG. 7 is a bottom view thereof;  
 FIG. 8 is a first detail view thereof;  
 FIG. 9 is a second detail view thereof; and,  
 FIG. 10 is a third detail view thereof.

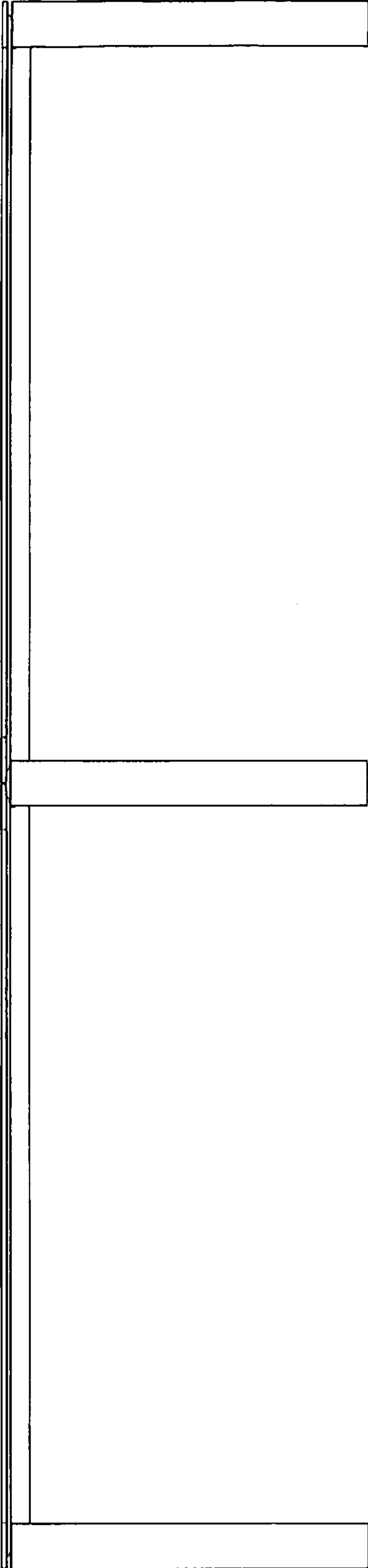
The broken lines are for environmental purposes only and form no part of the claimed design.

**1 Claim, 7 Drawing Sheets**

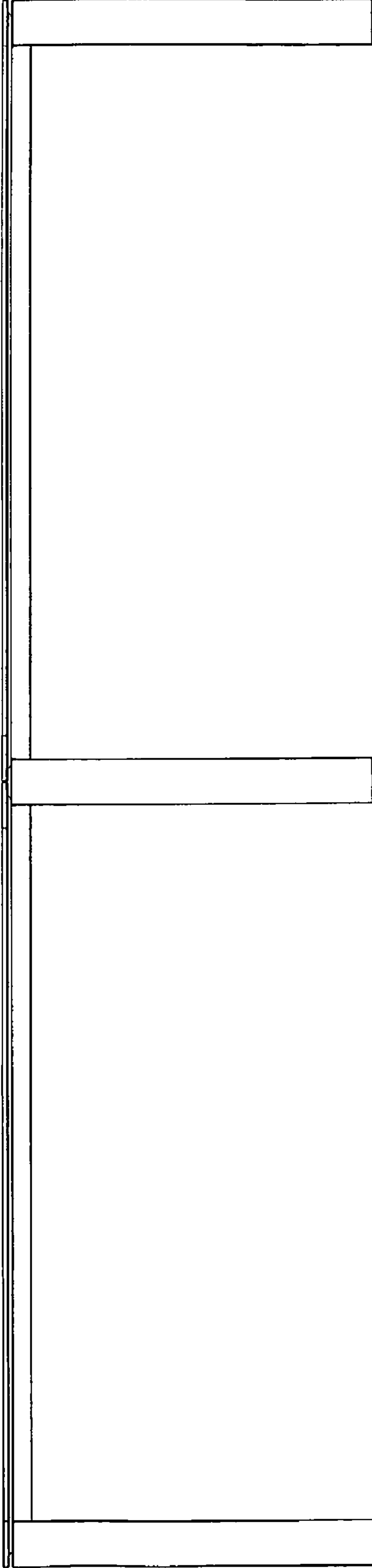




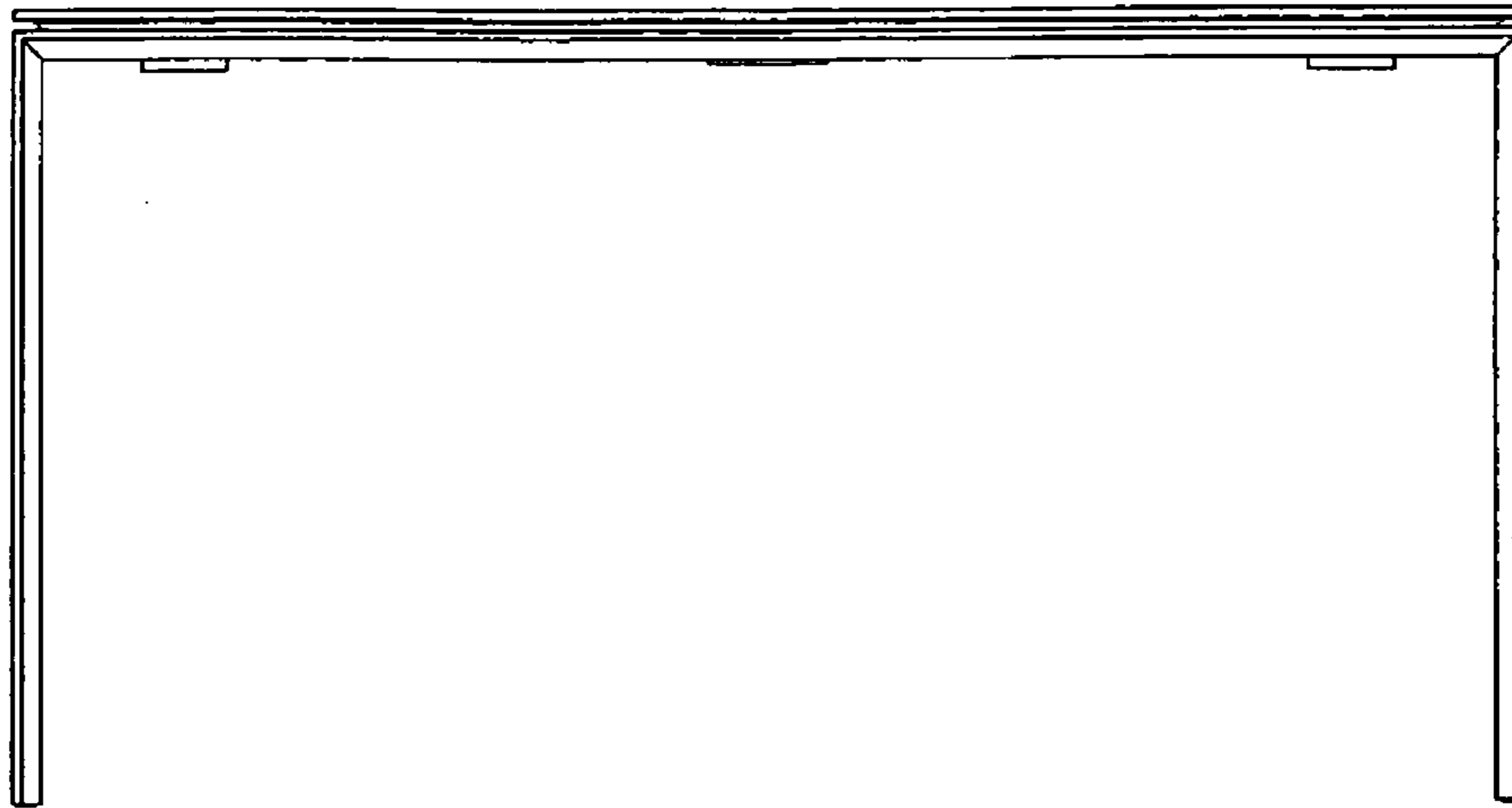
*Fig. 1*



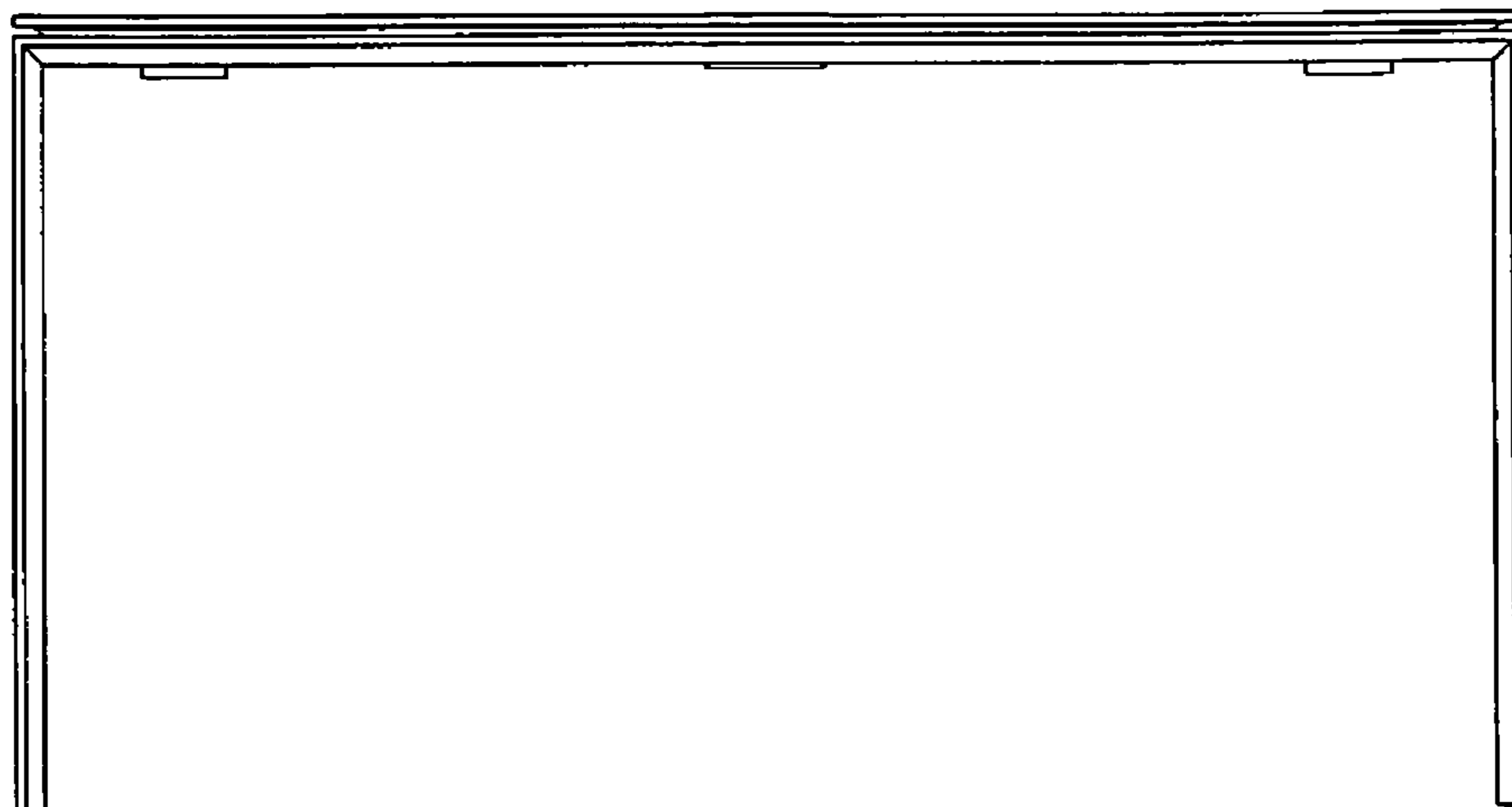
*Fig. 2*



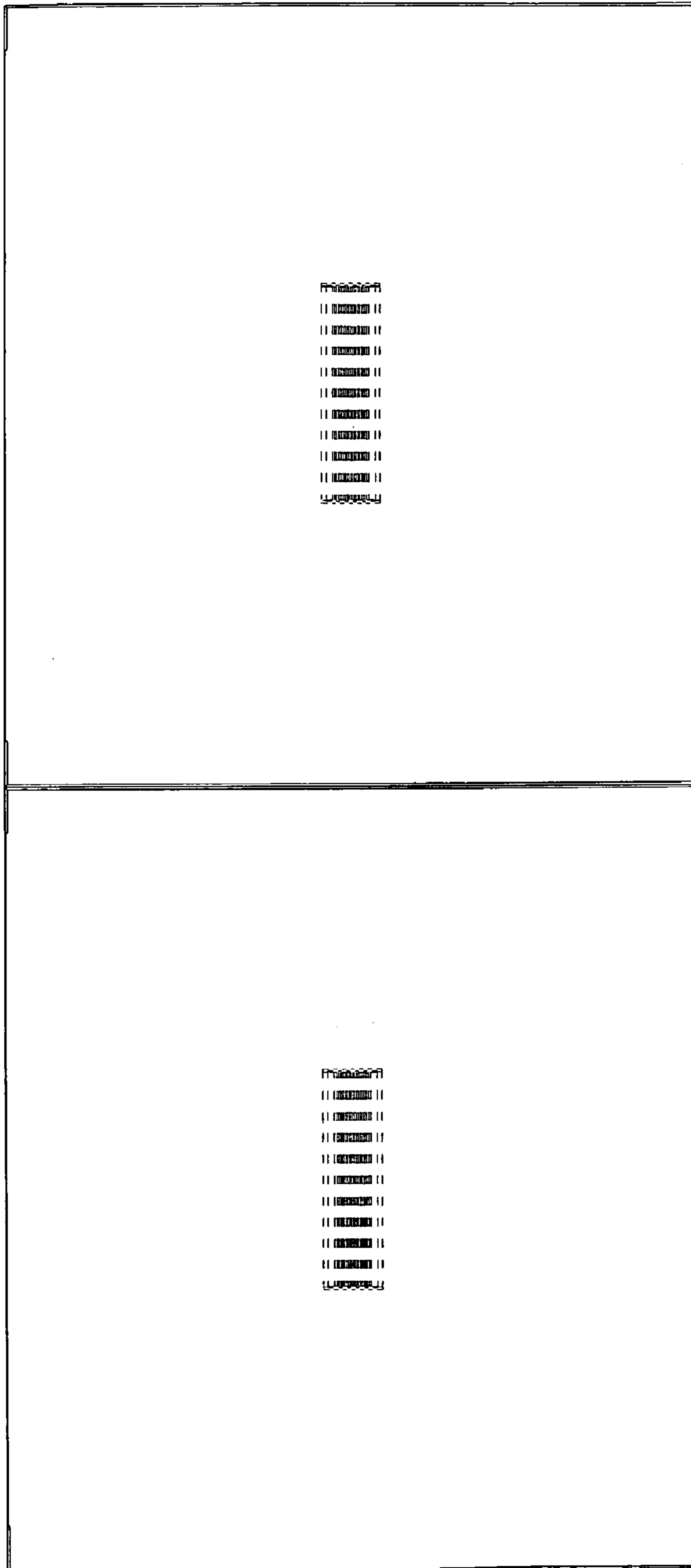
*Fig. 3*



*Fig. 4*



*Fig. 5*



*Fig. 6*

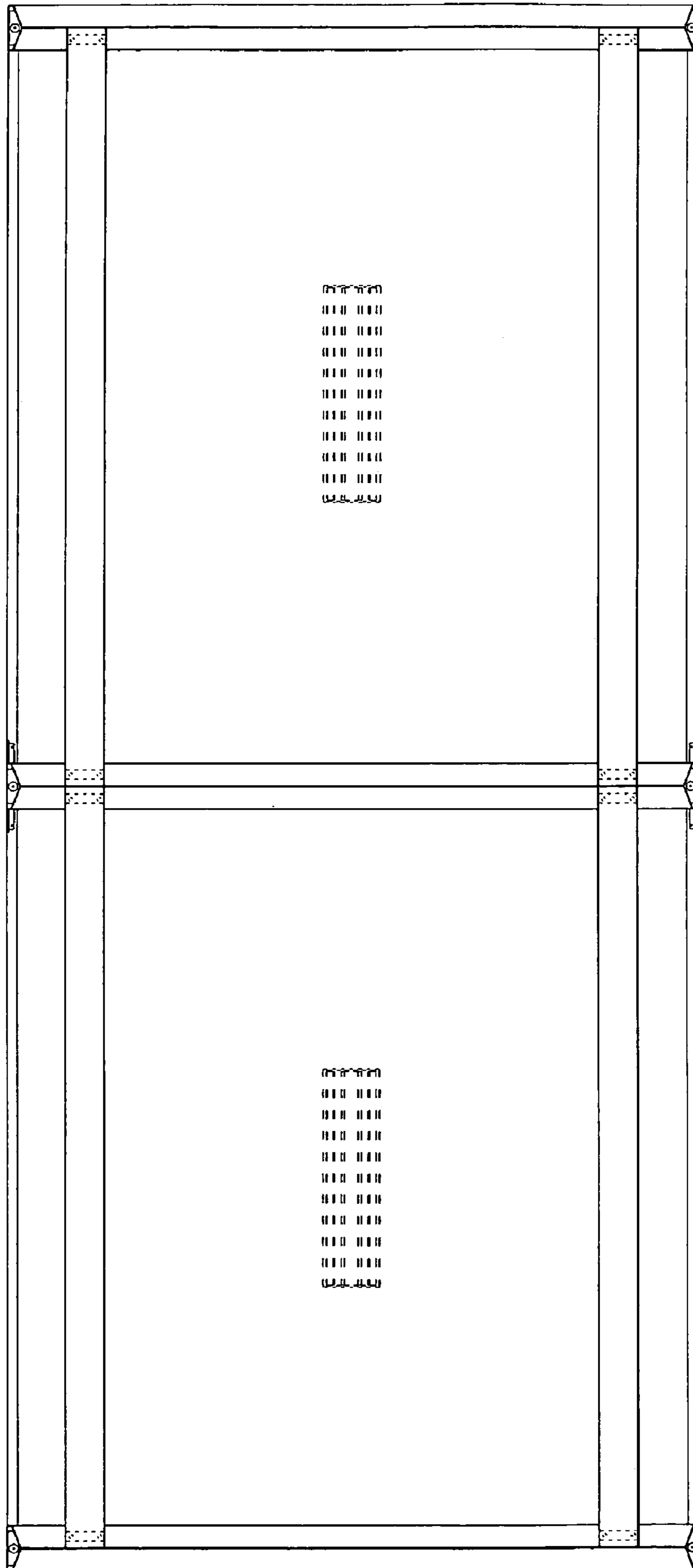
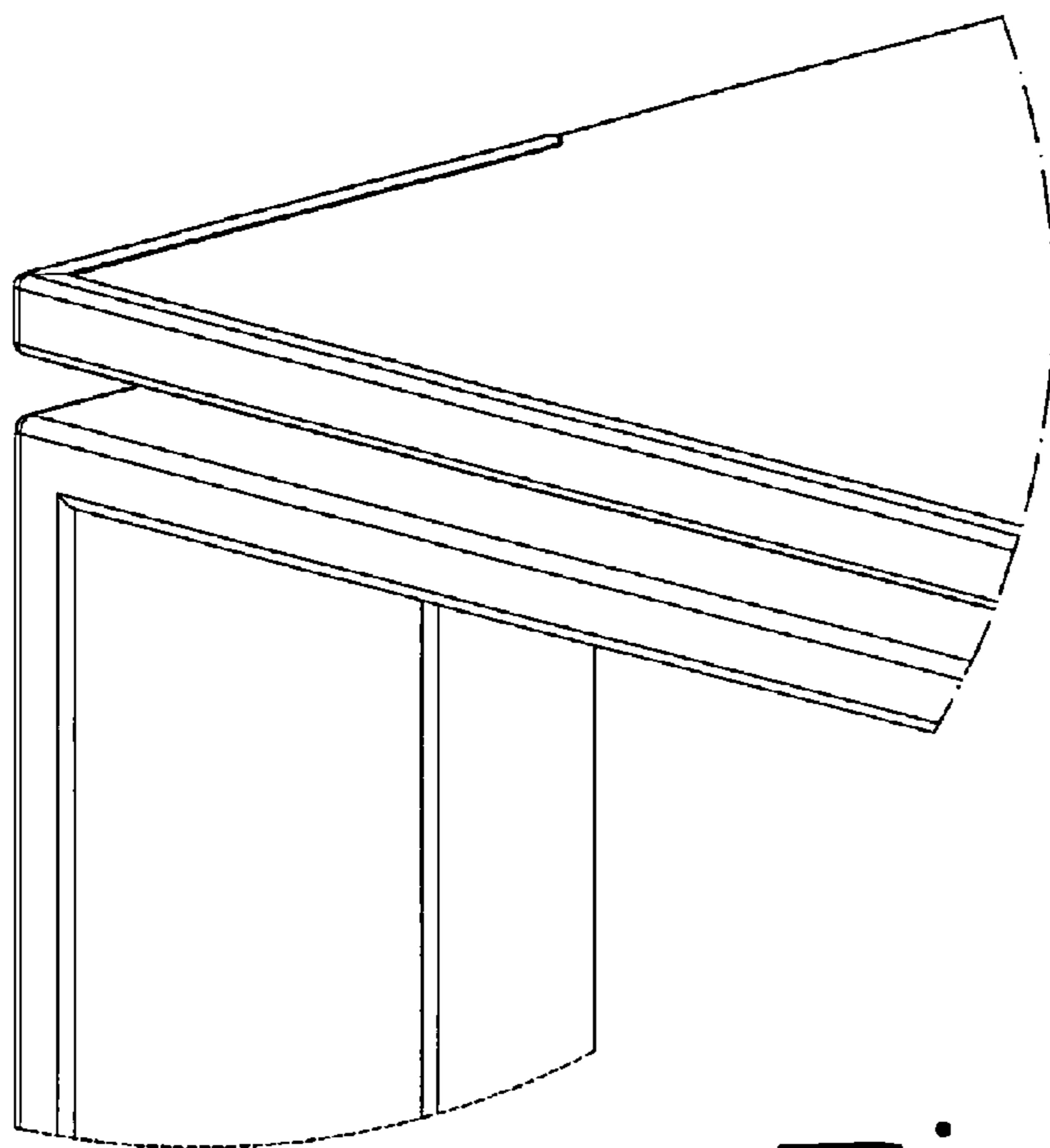
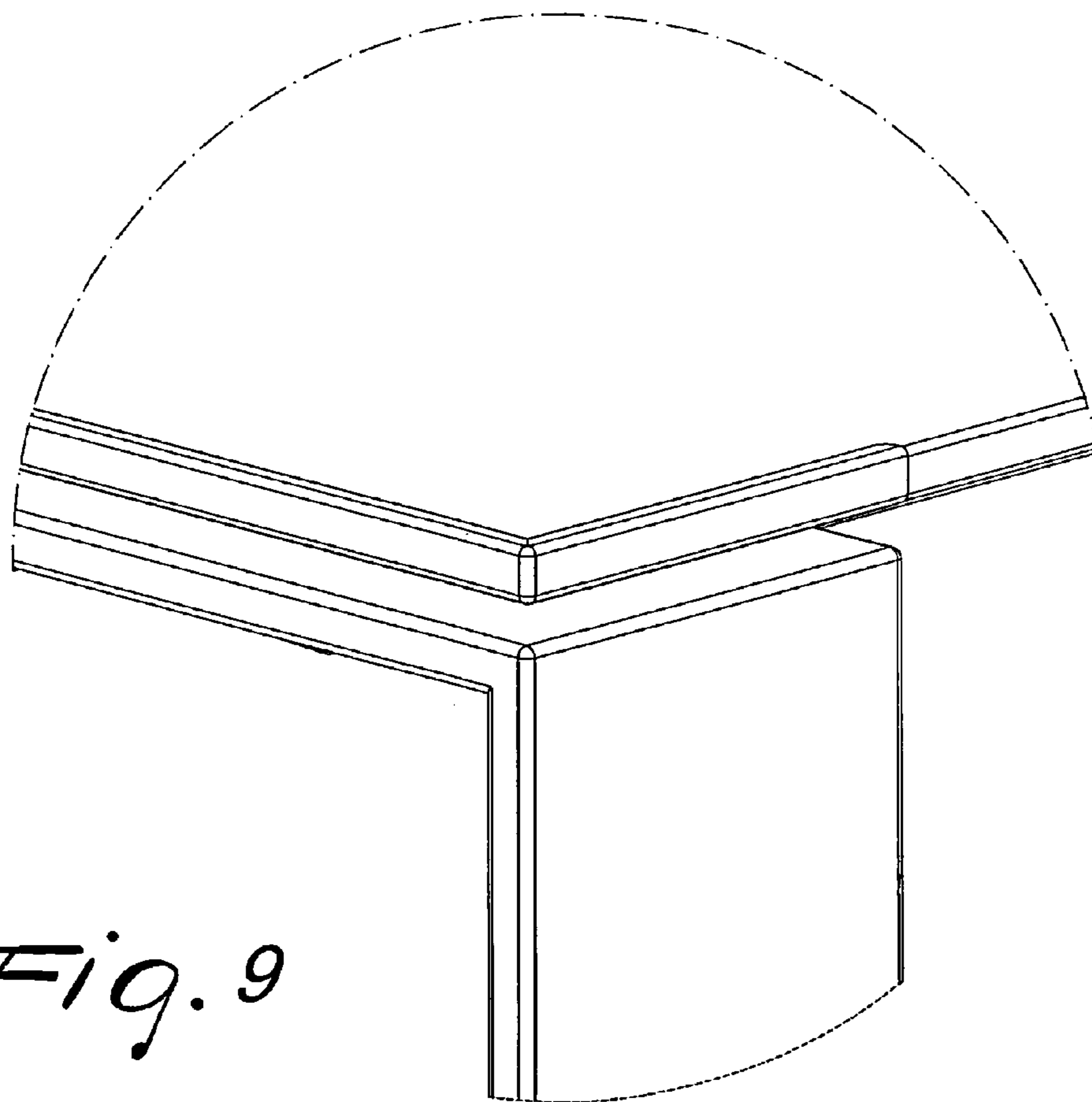


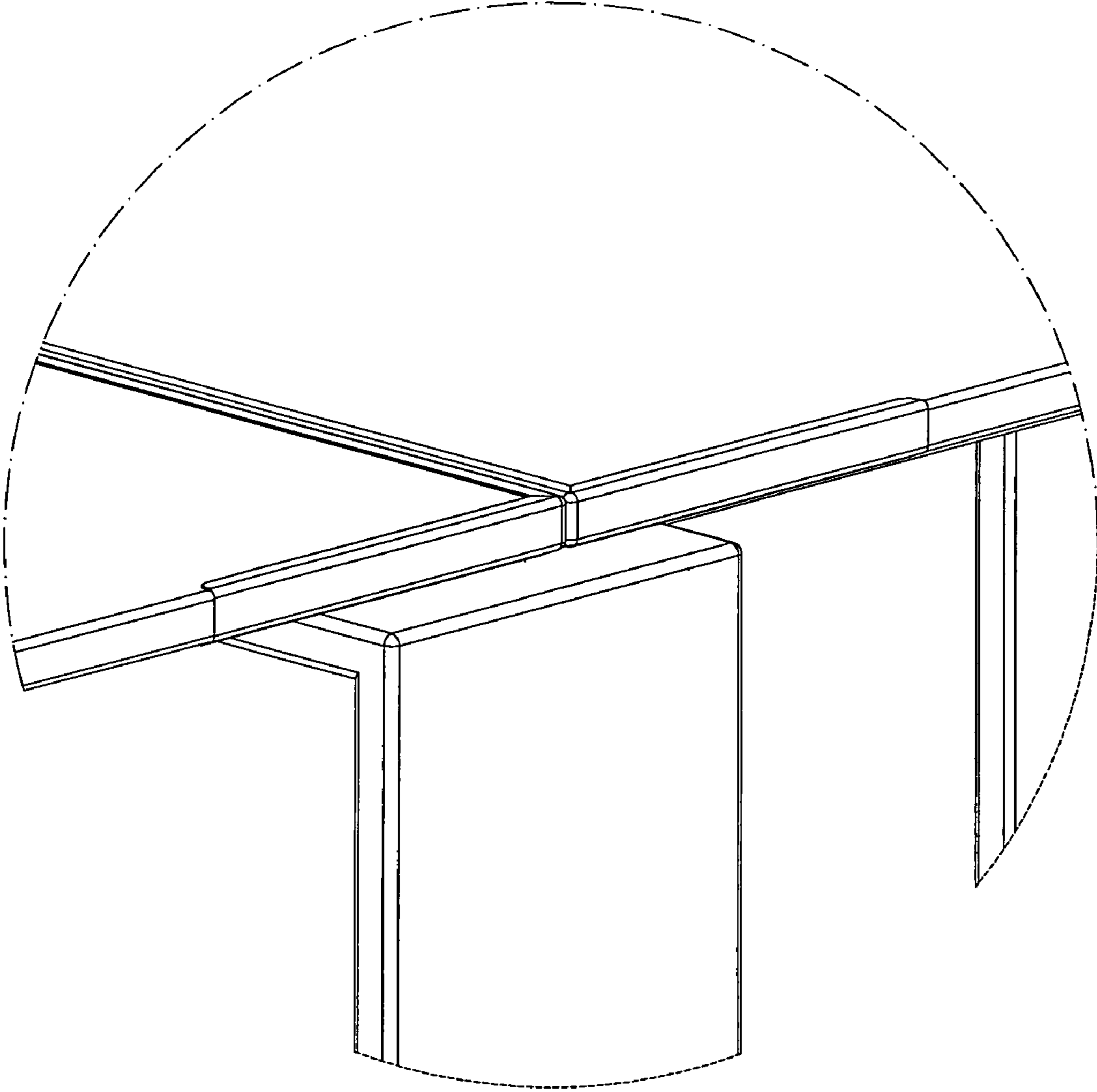
Fig. 7



*Fig. 8*



*Fig. 9*



*Fig. 10*