



US00D640071S

(12) **United States Design Patent**
Sexton

(10) **Patent No.:** **US D640,071 S**
(45) **Date of Patent:** **** Jun. 21, 2011**

(54) **TV MOUNT SYSTEM**

(75) Inventor: **James S. Sexton**, San Ramon, CA (US)

(73) Assignee: **Z-Line Designs, Inc.**, San Ramon, CA (US)

(**) Term: **14 Years**

(21) Appl. No.: **29/381,150**

(22) Filed: **Dec. 15, 2010**

Related U.S. Application Data

(62) Division of application No. 29/366,614, filed on Jul. 27, 2010, now Pat. No. Des. 630,871.

(51) **LOC (9) Cl.** **06-04**

(52) **U.S. Cl.** **D6/477**

(58) **Field of Classification Search** D6/477-479,
D6/474, 460-461, 466, 468, 511; 108/59,
108/91-92, 96; 211/40, 41.12, 42, 49.1,
211/50, 85.2, 187, 190; 312/9.1, 7.2, 107,
312/204, 238

See application file for complete search history.

(56) **References Cited**

U.S. PATENT DOCUMENTS

| | | | | |
|--------------|--------|-------------|-------|--------|
| D474,047 S * | 5/2003 | Lara | | D6/479 |
| D507,900 S * | 8/2005 | Sexton | | D6/474 |
| D508,801 S * | 8/2005 | Holst | | D6/477 |
| D537,658 S * | 3/2007 | Tung | | D6/479 |
| D539,565 S * | 4/2007 | Sexton, III | | D6/474 |
| D539,566 S * | 4/2007 | Anderson | | D6/474 |

| | | | | |
|--------------|--------|----------------|-------|---------|
| D564,261 S * | 3/2008 | Sculler | | D6/477 |
| D570,620 S * | 6/2008 | Ongor | | D6/479 |
| D590,636 S * | 4/2009 | Ou Yang et al. | | D6/477 |
| D591,089 S * | 4/2009 | Sexton | | D6/479 |
| D593,776 S * | 6/2009 | Sexton | | D6/478 |
| D594,001 S * | 6/2009 | Sexton | | D14/239 |
| D595,978 S * | 7/2009 | Portnoy et al. | | D6/477 |
| D607,671 S * | 1/2010 | Sexton | | D6/479 |
| D609,942 S * | 2/2010 | Sexton | | D6/477 |
| D618,015 S * | 6/2010 | Sexton | | D6/477 |
| D630,870 S * | 1/2011 | Sexton | | D6/477 |

* cited by examiner

Primary Examiner — Elizabeth A Albert

Assistant Examiner — Kelley A Donnelly

(74) *Attorney, Agent, or Firm* — Kilpatrick Townsend & Stockton LLP

(57) **CLAIM**

The ornamental design for a TV mount system, as shown and described.

DESCRIPTION

FIG. 1 is a perspective view of a TV mount system showing my new design;

FIG. 2 is a front elevational view thereof;

FIG. 3 is a rear elevational view thereof;

FIG. 4 is a right side elevational view thereof;

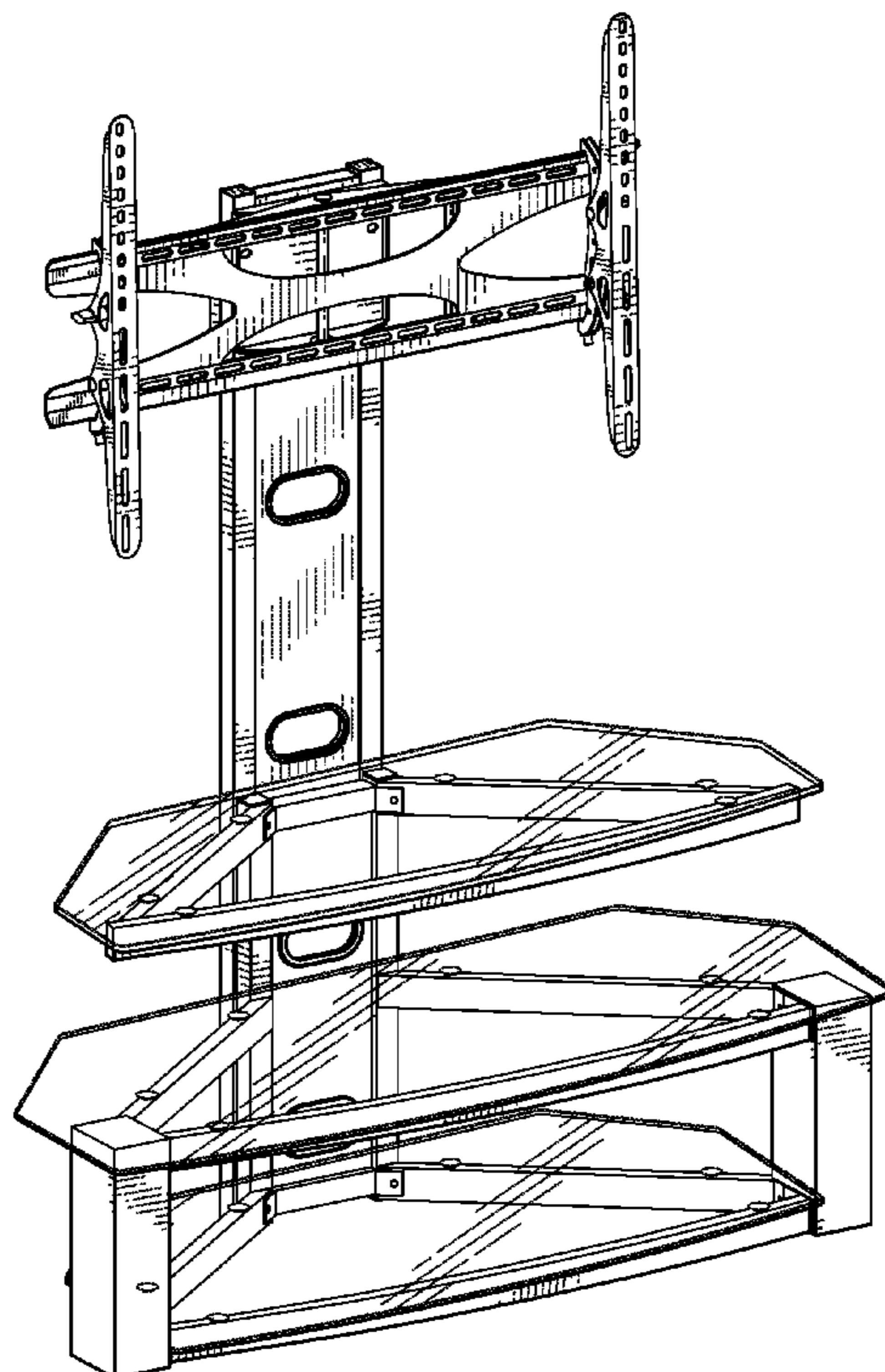
FIG. 5 is a left side elevational view thereof;

FIG. 6 is a top plan view thereof; and,

FIG. 7 is a bottom plan view thereof.

The broken lines are for the purpose of illustrating the environment of the design only and form no part of the claimed design.

1 Claim, 5 Drawing Sheets



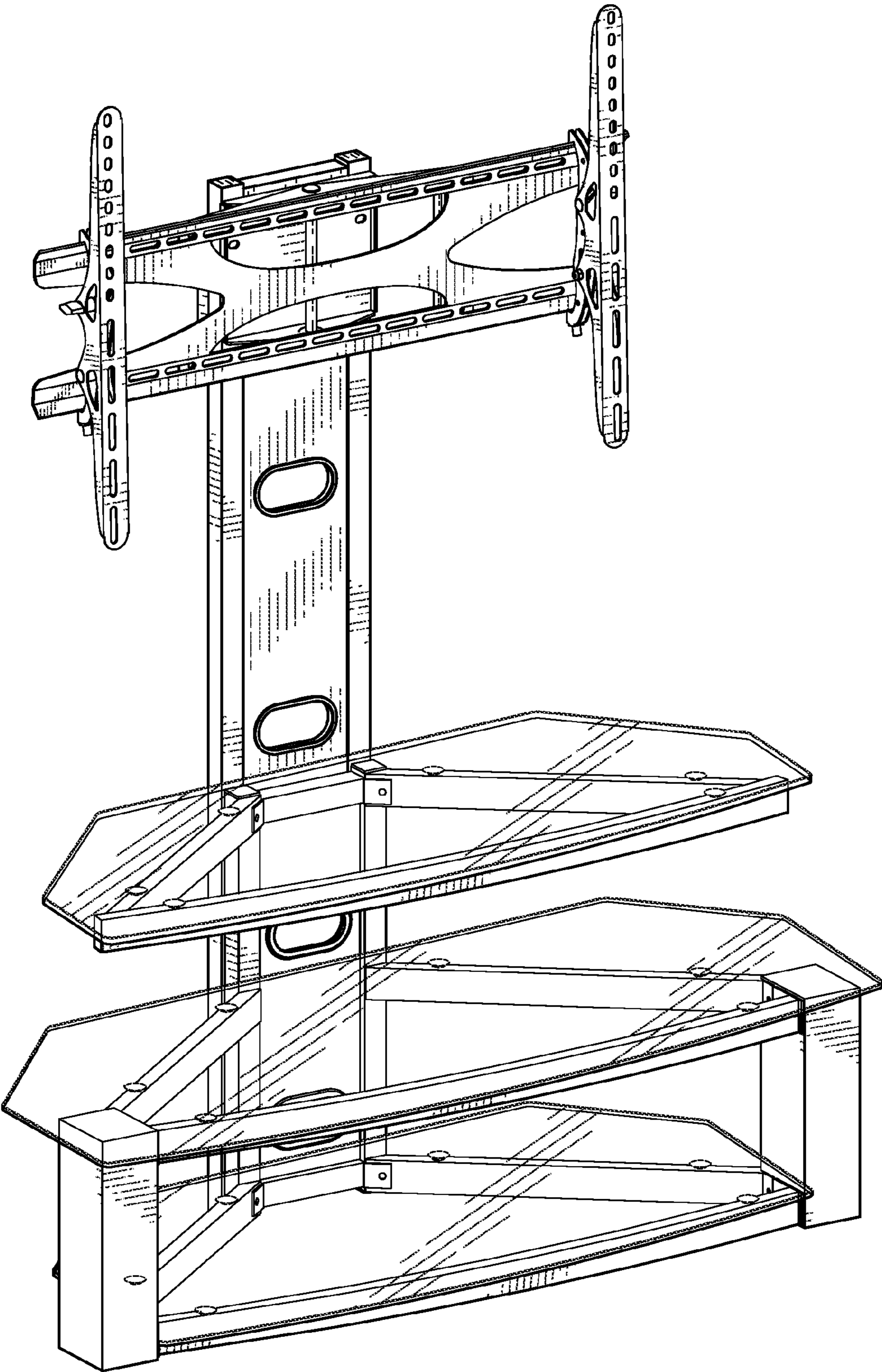


FIG. 1

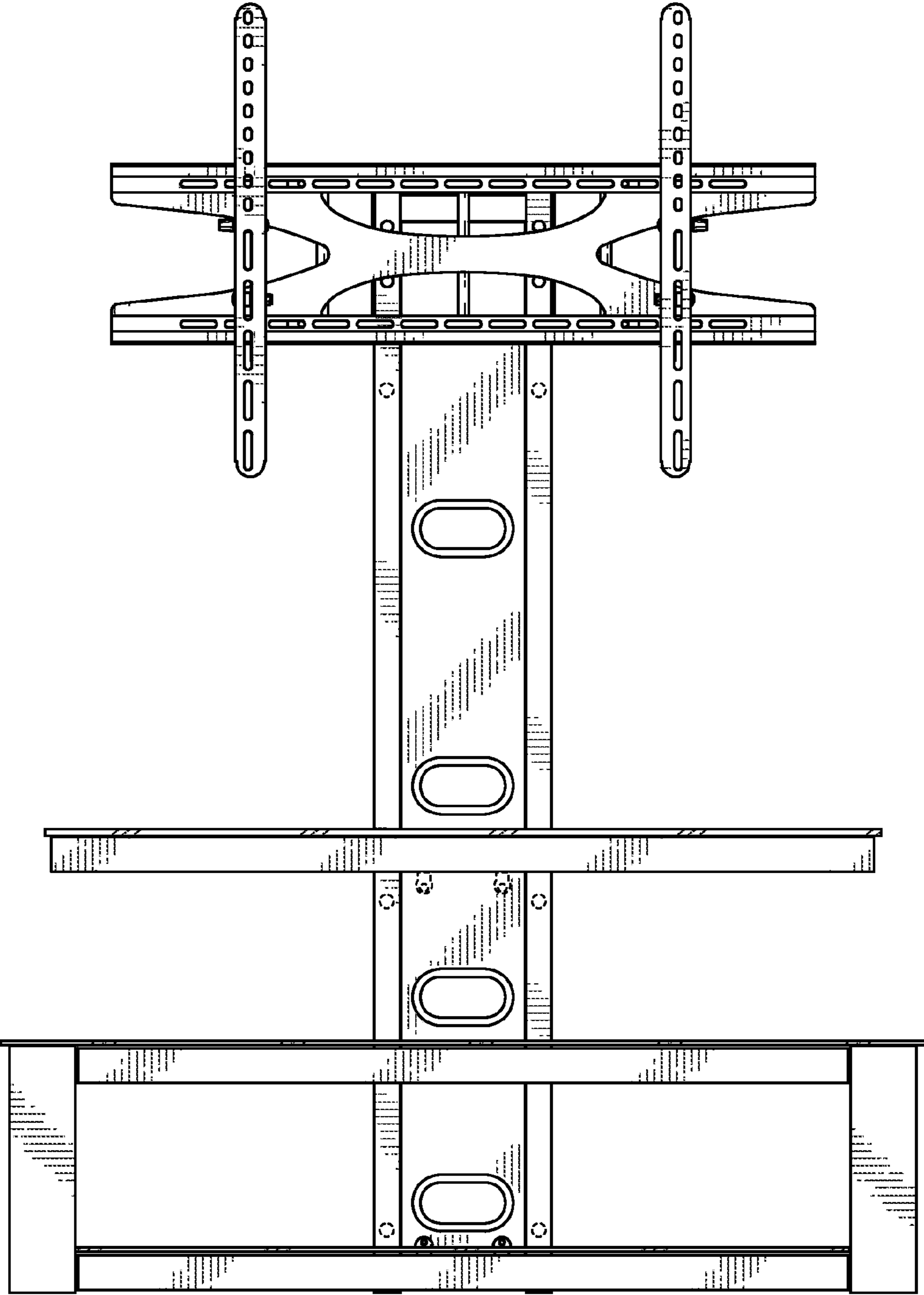


FIG. 2

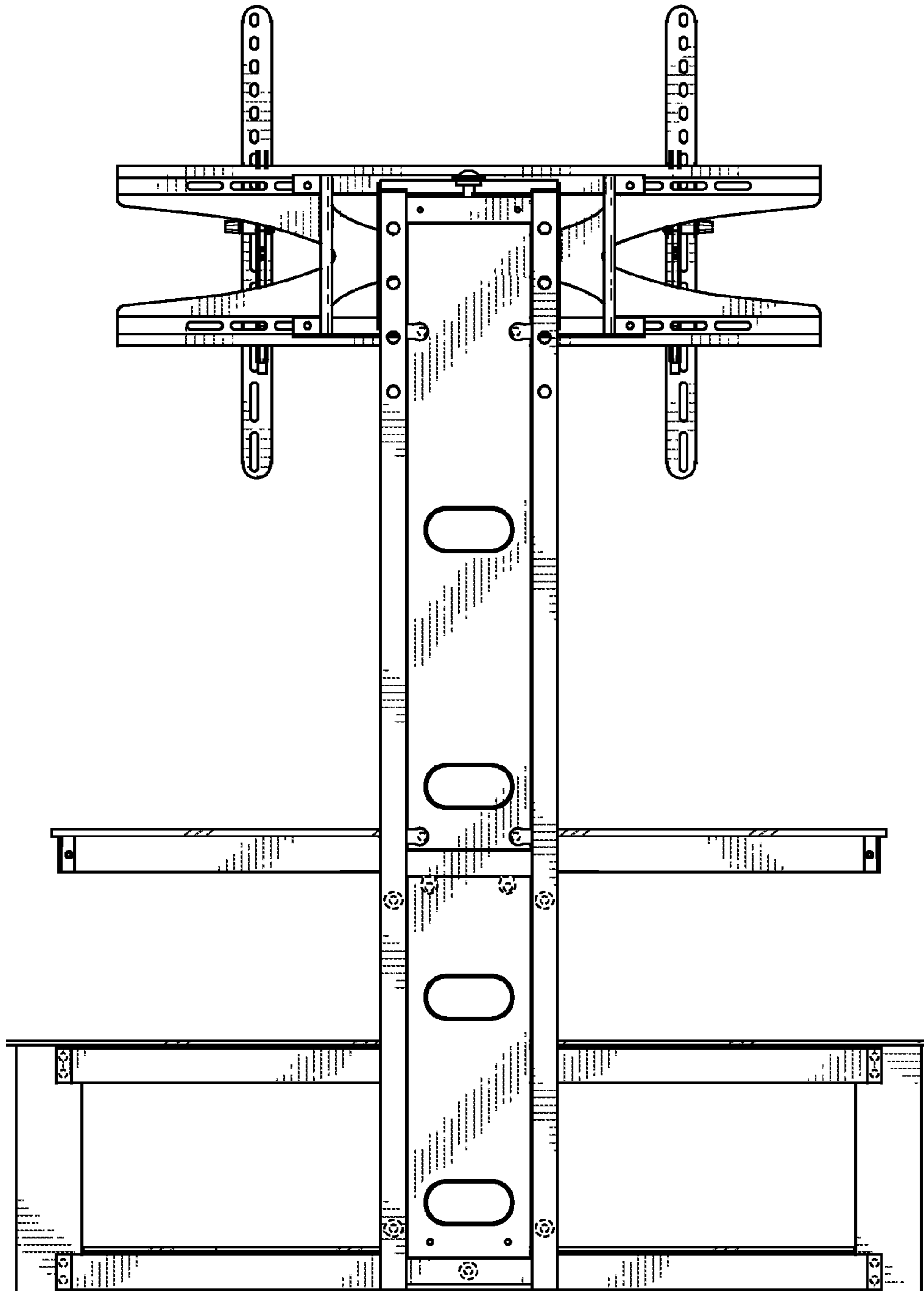


FIG. 3

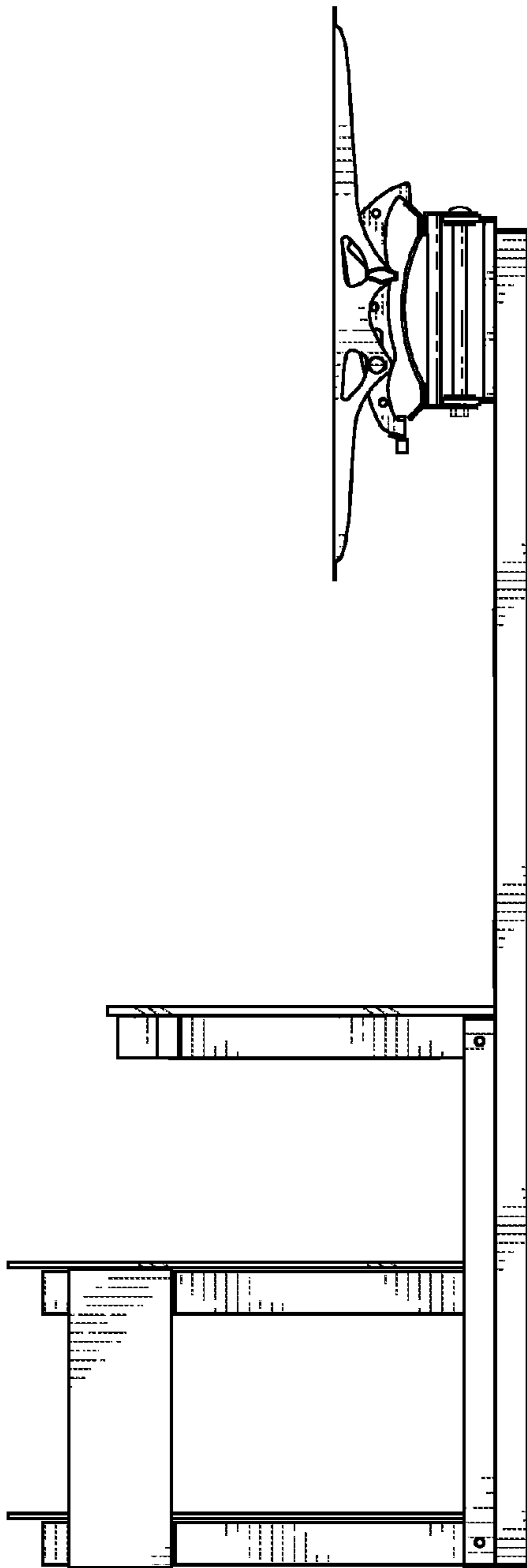


FIG. 4

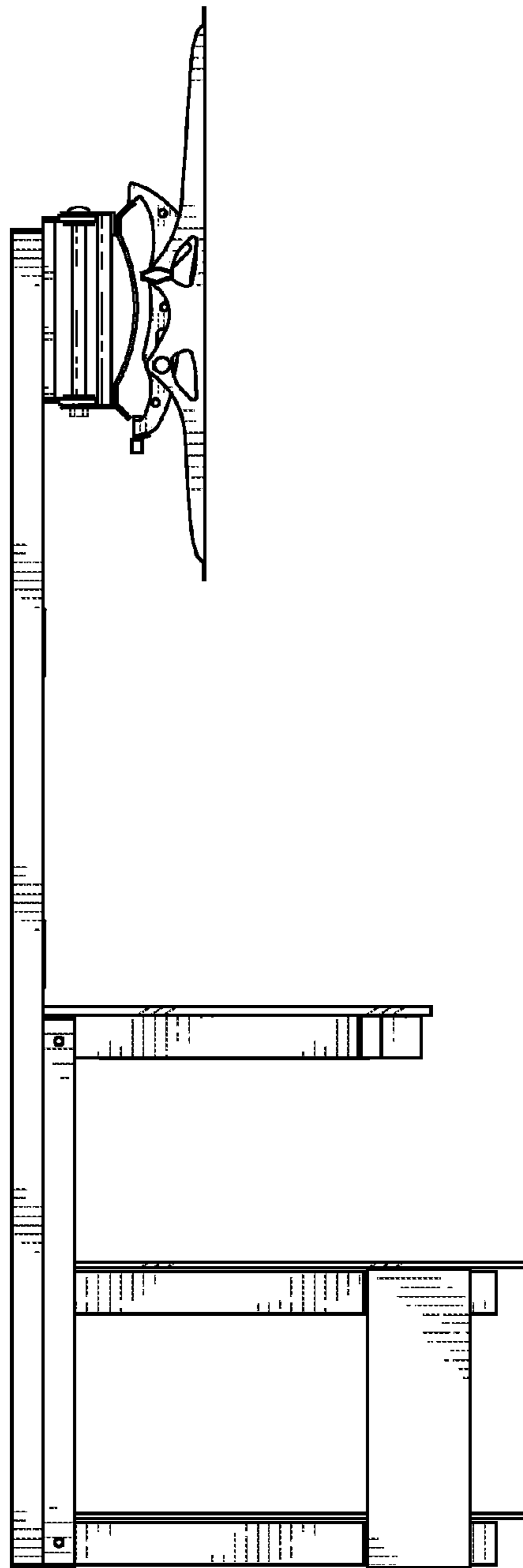


FIG. 5

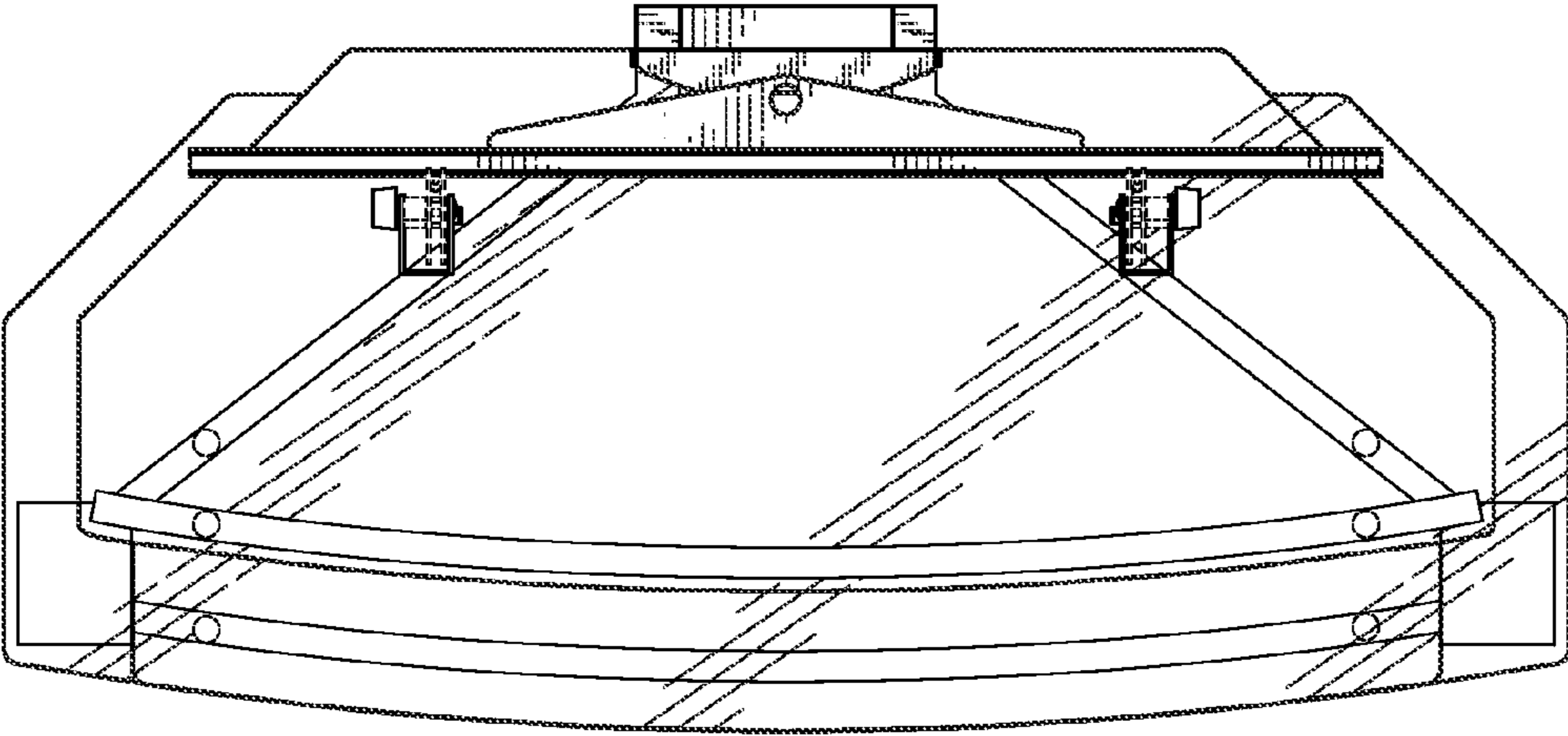


FIG. 6

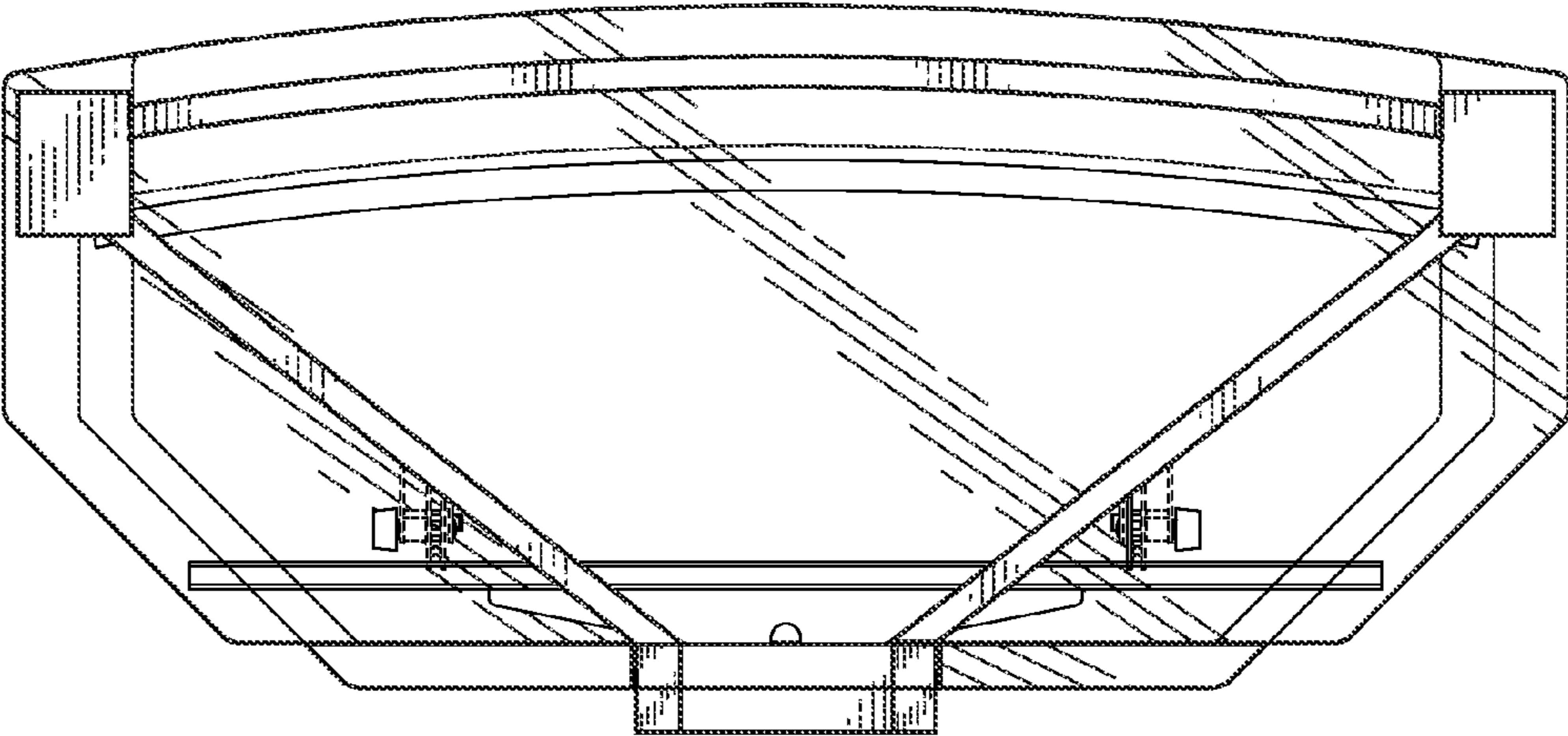


FIG. 7