



US00D640069S

(12) **United States Design Patent**
Denk et al.

(10) **Patent No.:** **US D640,069 S**
(45) **Date of Patent:** **** Jun. 21, 2011**

(54) **DISPLAY FURNITURE**

(75) Inventors: **Roland Denk**, Andorf (AT); **Gerhard Kaltseis**, Ried (AT)

(73) Assignee: **Tec-Designs, OG**, Andorf (AT)

(**) Term: **14 Years**

(21) Appl. No.: **29/365,011**

(22) Filed: **Jul. 1, 2010**

(30) **Foreign Application Priority Data**

Apr. 6, 2010 (EP) 001690876-0002

(51) **LOC (9) Cl.** **06-04**

(52) **U.S. Cl.** **D6/396**

(58) **Field of Classification Search** D6/478,
D6/396, 397, 480, 449, 438; 108/190, 59,
108/60, 64, 155, 156, 161, 155.7; 211/13,
211/187, 105.1; 248/188, 188.8, 188.1

See application file for complete search history.

(56) **References Cited**

U.S. PATENT DOCUMENTS

D423,825 S * 5/2000 Alcalá et al. D6/478
D488,005 S * 4/2004 Feng D6/480
7,028,620 B1 * 4/2006 Lyndon 108/190
D527,210 S * 8/2006 Berry et al. D6/480

D545,591 S * 7/2007 Ng et al. D6/449
D581,701 S * 12/2008 Grubb D6/449
D621,178 S * 8/2010 Palmby D6/449

* cited by examiner

Primary Examiner — Philip S Hyder

Assistant Examiner — Sydney R Buffalow

(74) *Attorney, Agent, or Firm* — Laurence A. Greenberg;
Werner H. Stemer; Ralph E. Locher

(57) **CLAIM**

The ornamental design for the display furniture, as shown and described.

DESCRIPTION

FIG. 1 is a rear perspective view of the display furniture with a rectangular swivel display and a swivel support table in a given, first position, showing our new design;

FIG. 2 is a rear perspective view thereof, showing the swivel display and the swivel support table in a position rotated relative to FIG. 1;

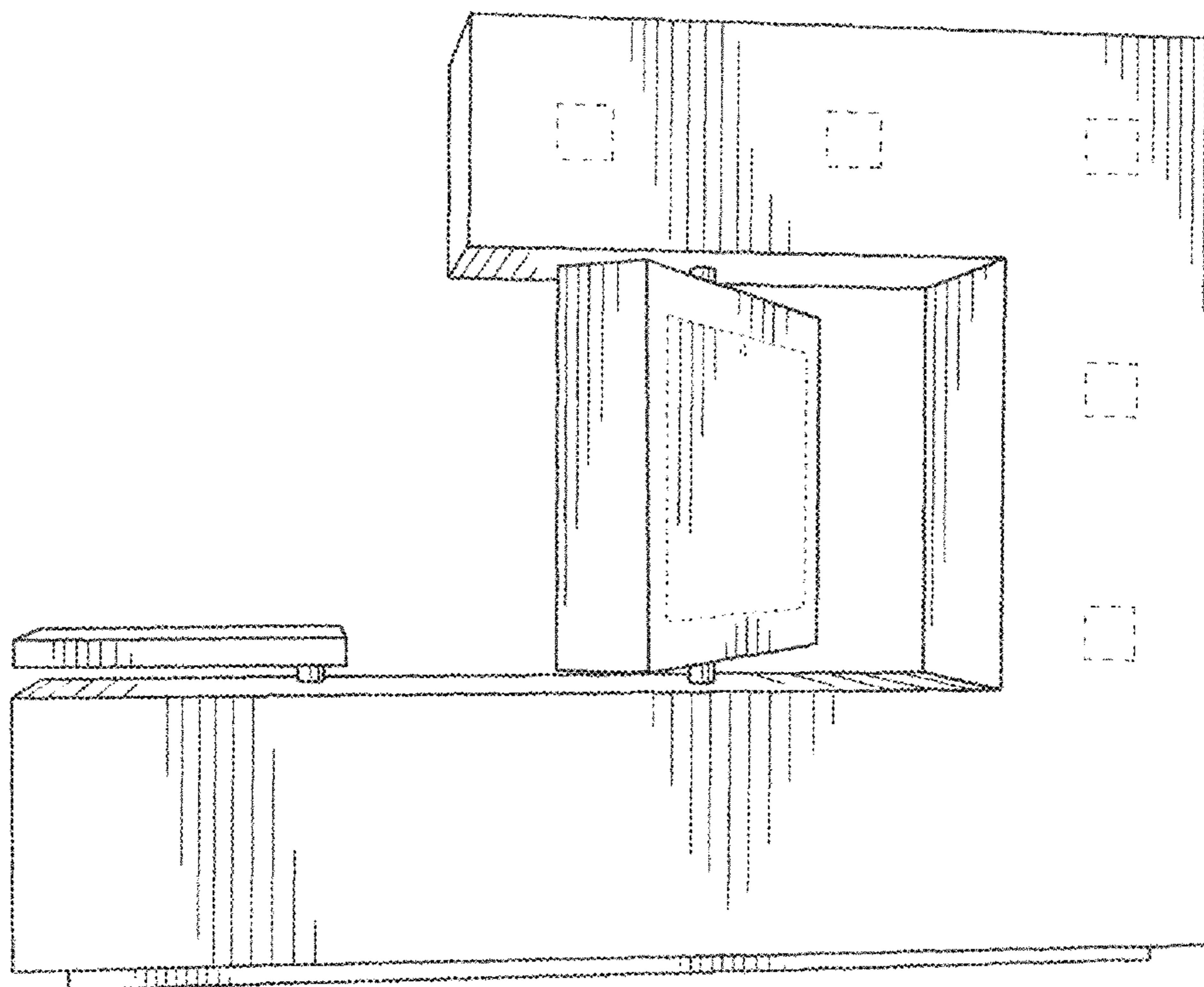
FIG. 3 is a right front perspective view thereof;

FIG. 4 is a right front perspective view thereof, seen from a slightly shallower angle; and,

FIG. 5 is a front perspective view thereon.

In the drawings, the broken lines show portions of the furniture, including a set of five speakers along the frame, a flat panel television set and controls. The broken line showings do not form a part of the claimed design.

1 Claim, 5 Drawing Sheets



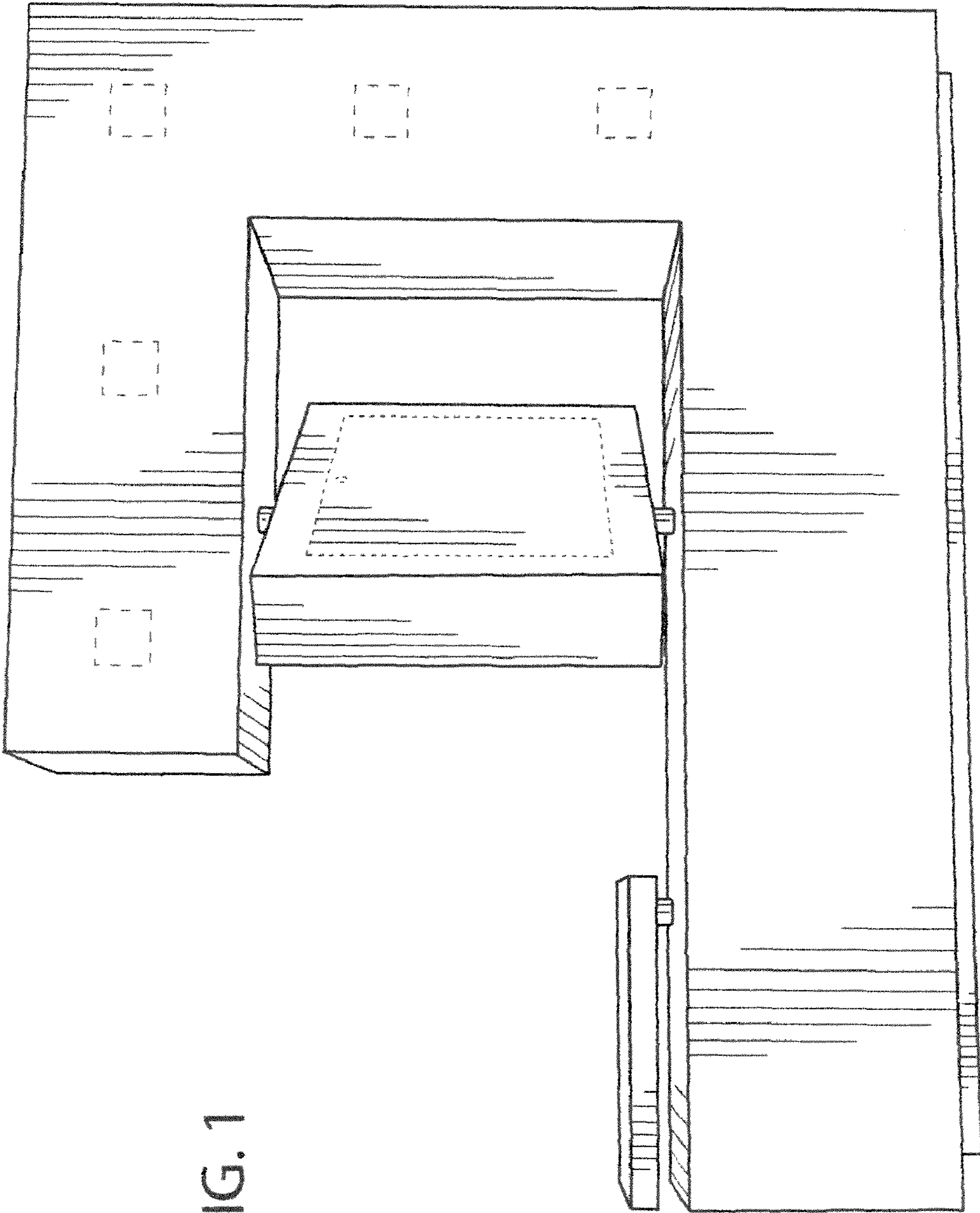


FIG. 1

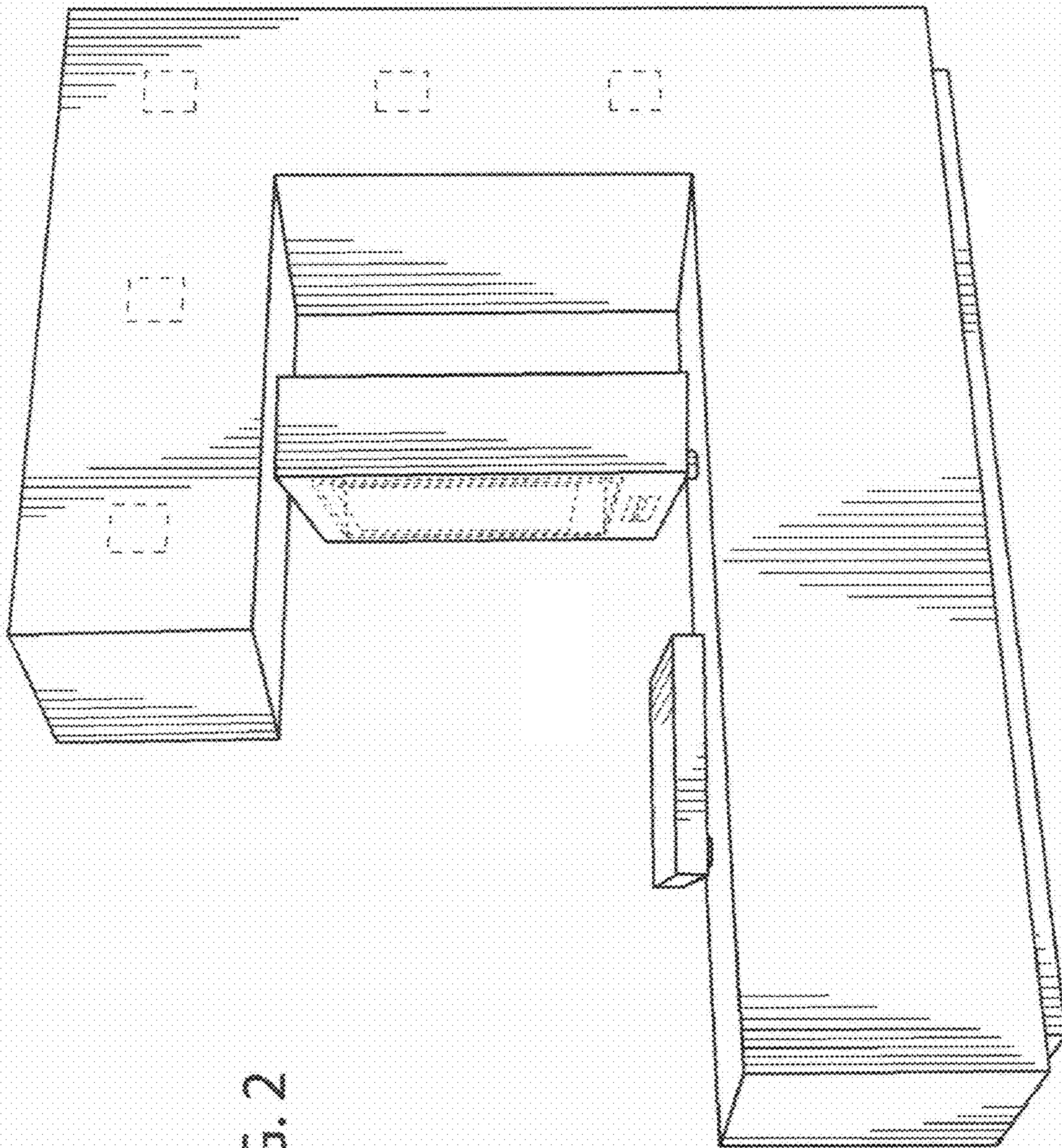


FIG. 2

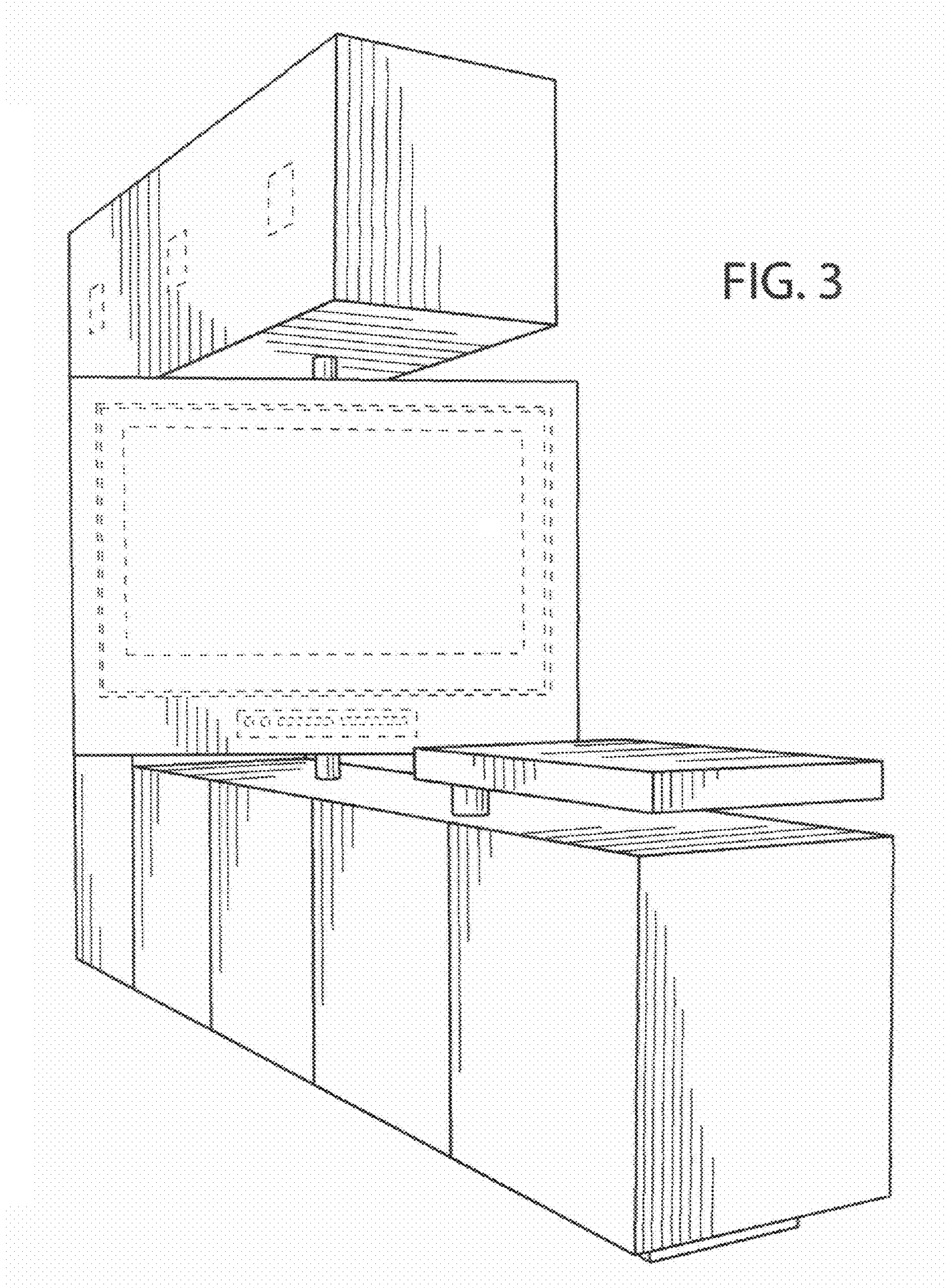


FIG. 3

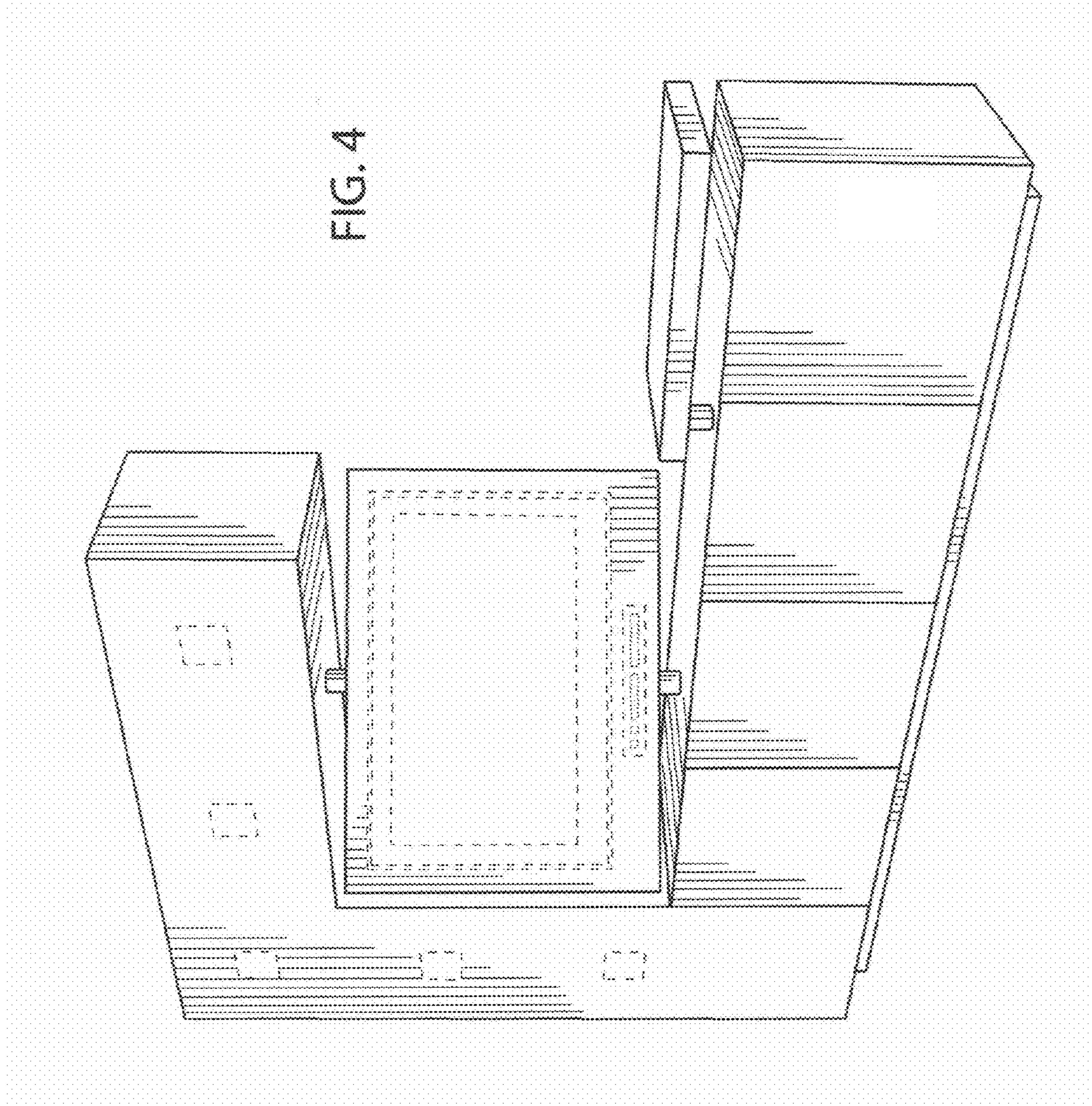


FIG. 5

