



US00D640058S

(12) **United States Design Patent**
Molina

(10) **Patent No.:** **US D640,058 S**

(45) **Date of Patent:** **** Jun. 21, 2011**

(54) **TOOL CASE**

(75) Inventor: **Francisco Molina**, Davie, FL (US)

(73) Assignee: **IBT Holdings, Inc**, Deerfield Beach, FL (US)

(**) Term: **14 Years**

(21) Appl. No.: **29/349,897**

(22) Filed: **May 18, 2010**

(51) **LOC (9) Cl.** **03-01**

(52) **U.S. Cl.** **D3/294**

(58) **Field of Classification Search** D3/272-273,
D3/284, 294; 206/376, 307, 372, 223
See application file for complete search history.

(56) **References Cited**

U.S. PATENT DOCUMENTS

D430,727 S * 9/2000 Wisniewski D3/265
D559,544 S * 1/2008 Allen D3/254

* cited by examiner

Primary Examiner — Holly Baynham

(74) *Attorney, Agent, or Firm* — Dan M. DeLaRosa

(57) **CLAIM**

The ornamental design for a tool case, as shown and described.

DESCRIPTION

FIG. 1 is a front perspective view of the tool case of the present invention in a closed position showing my new design;

FIG. 2 is a perspective view of the tool case in an opened position;

FIG. 3 is a front side elevational view thereof;

FIG. 4 is a side elevational view thereof;

FIG. 5 is a back side elevational view thereof;

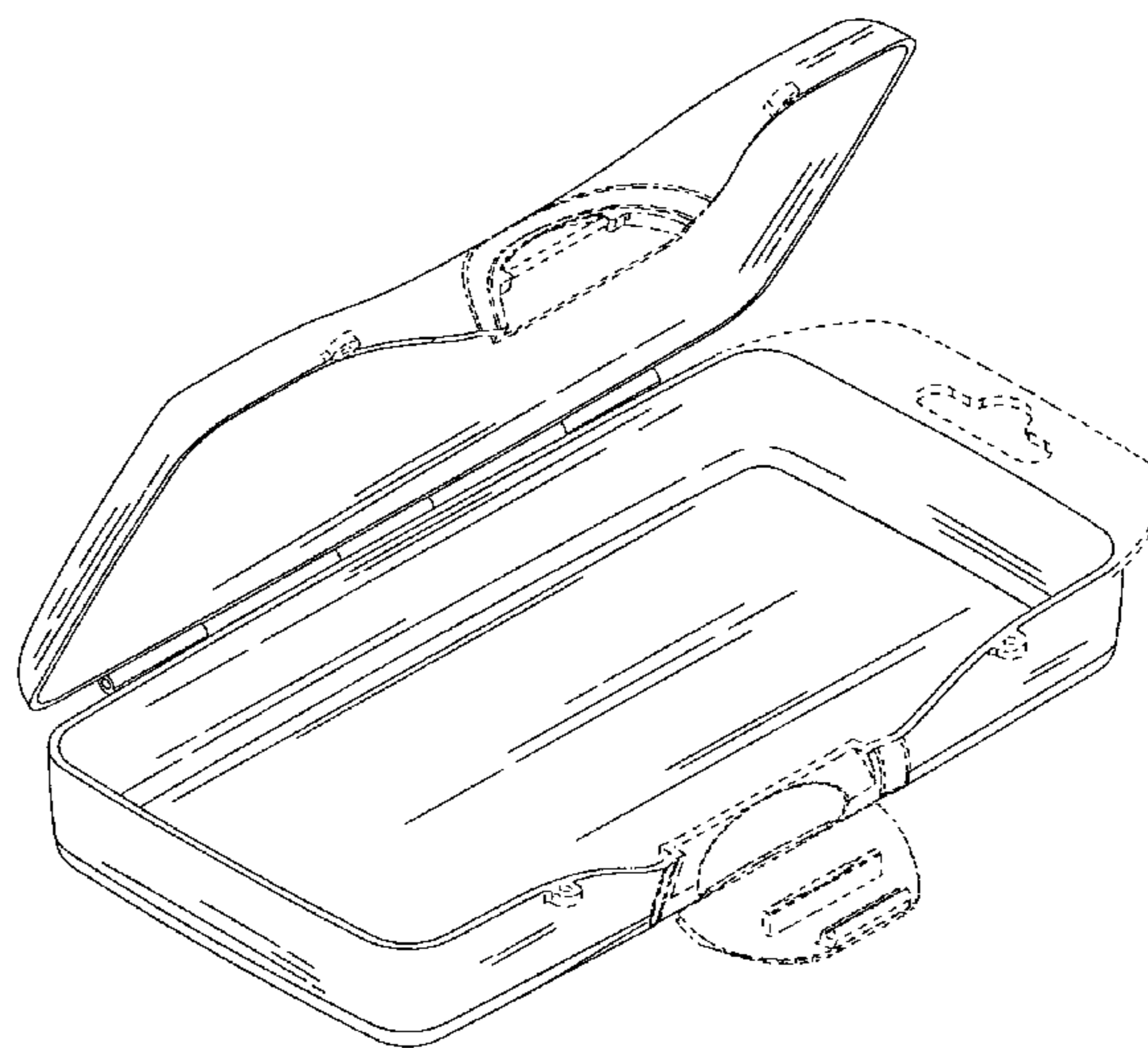
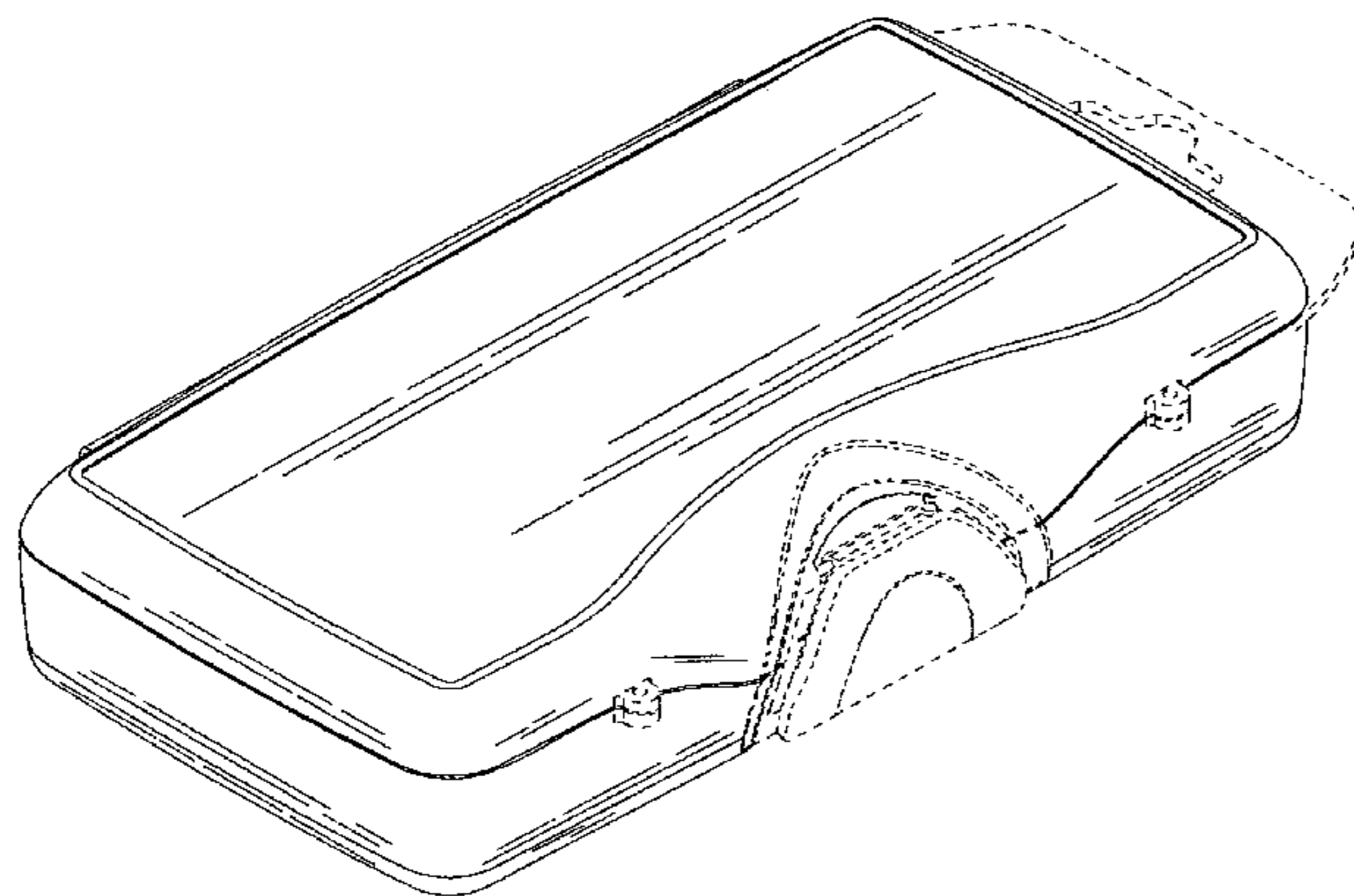
FIG. 6 is another side elevational view thereof;

FIG. 7 is a top plan view thereof; and,

FIG. 8 is a bottom plan view thereof.

The broken lines showing a latch and tag are for the purposes of illustrating environment and form no part of the claimed design.

1 Claim, 5 Drawing Sheets



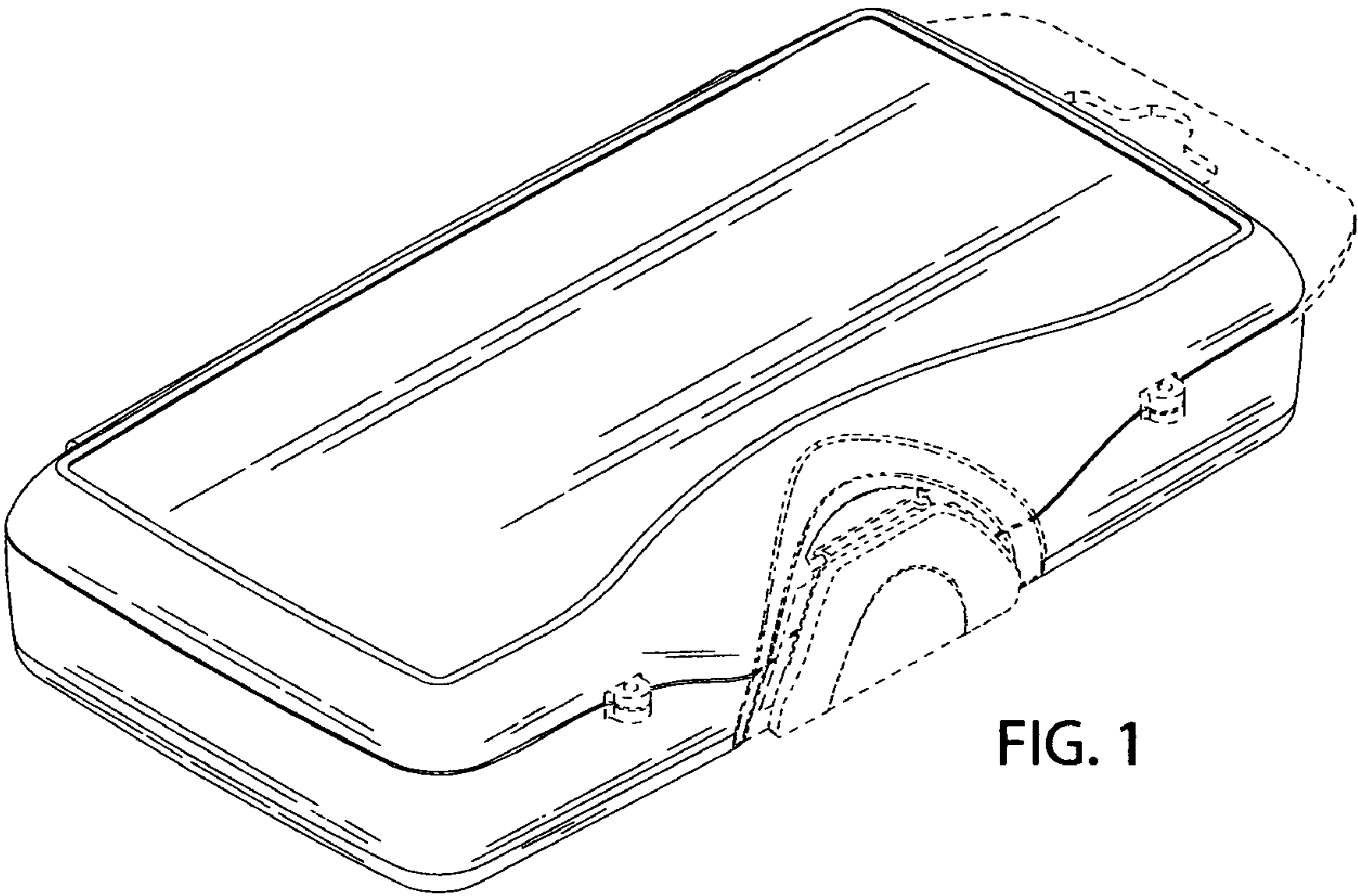


FIG. 1

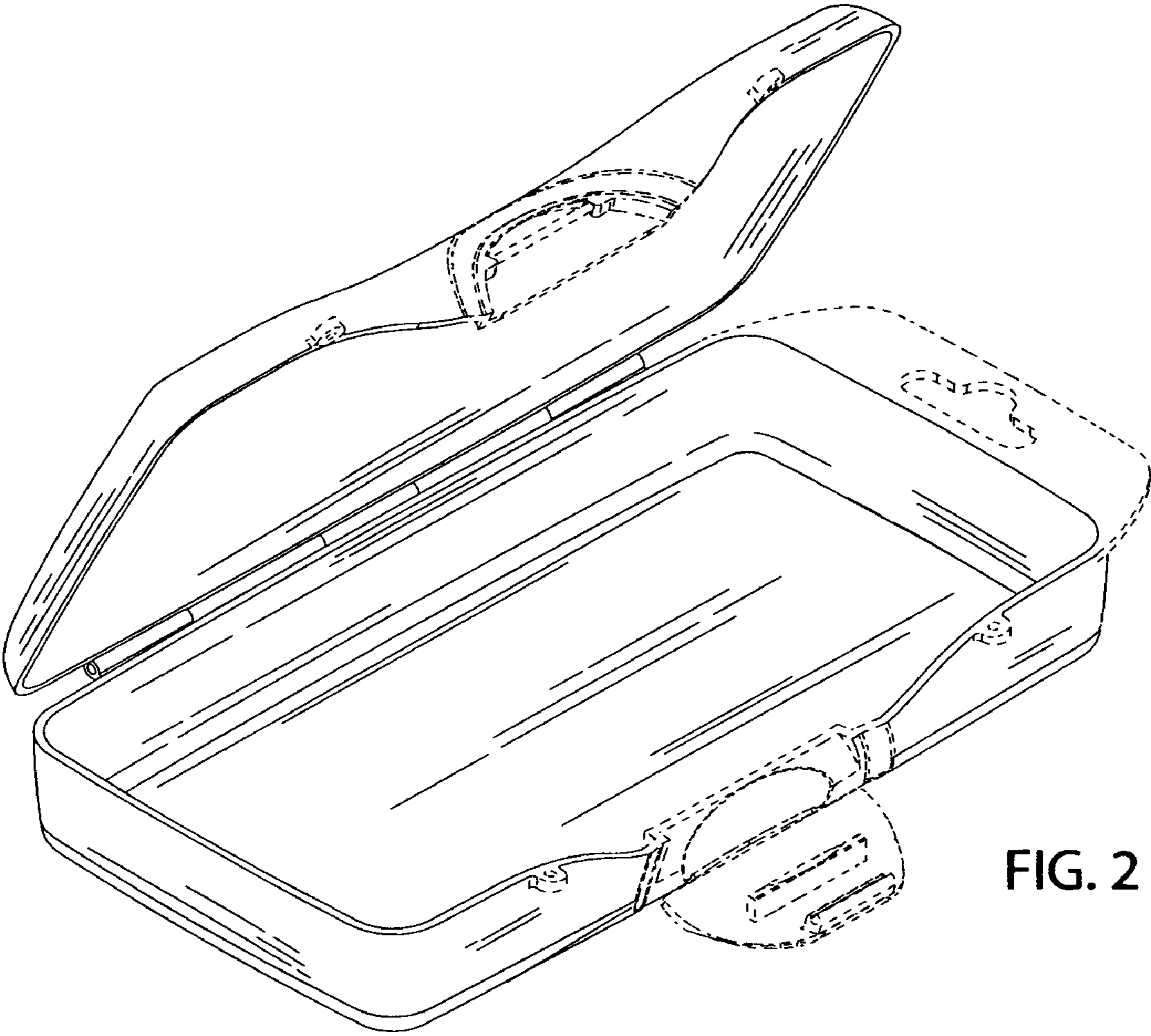


FIG. 2

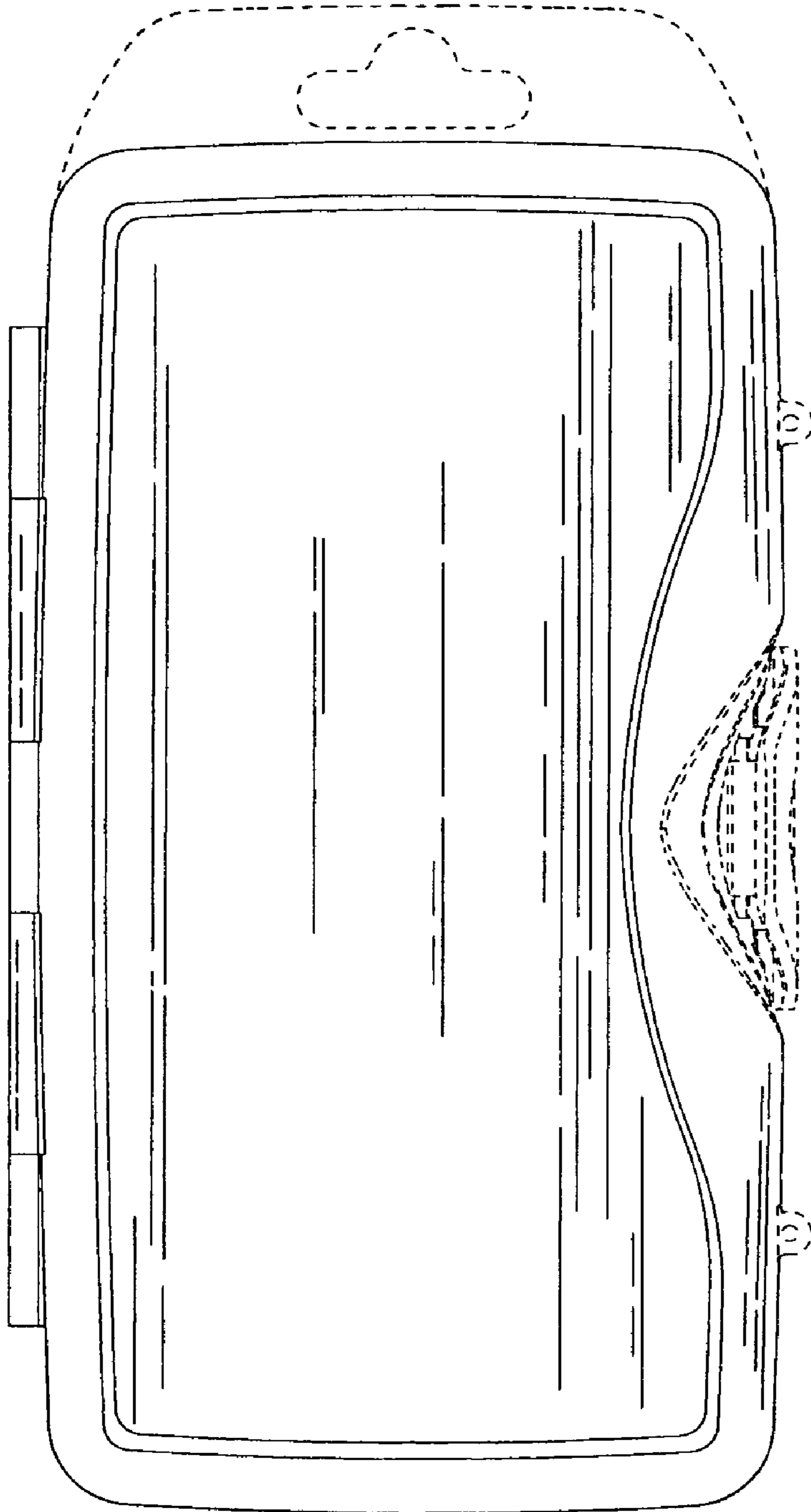


FIG. 3

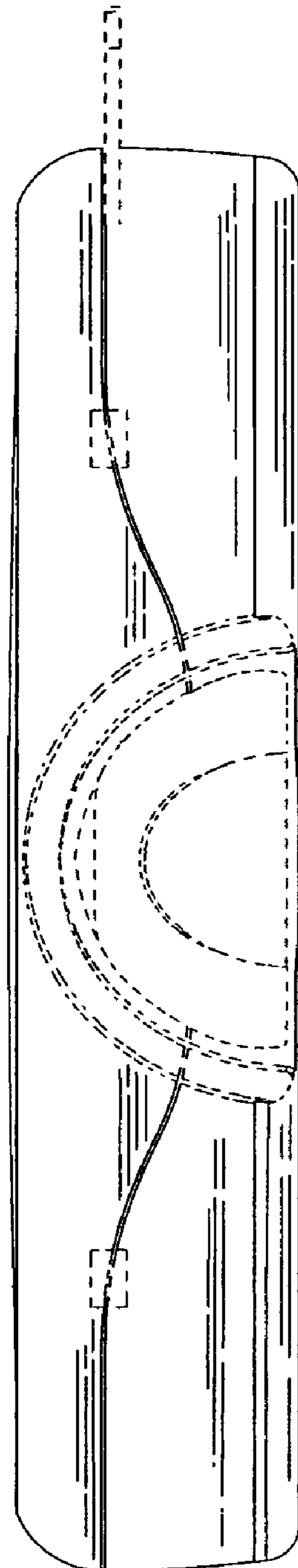


FIG. 4

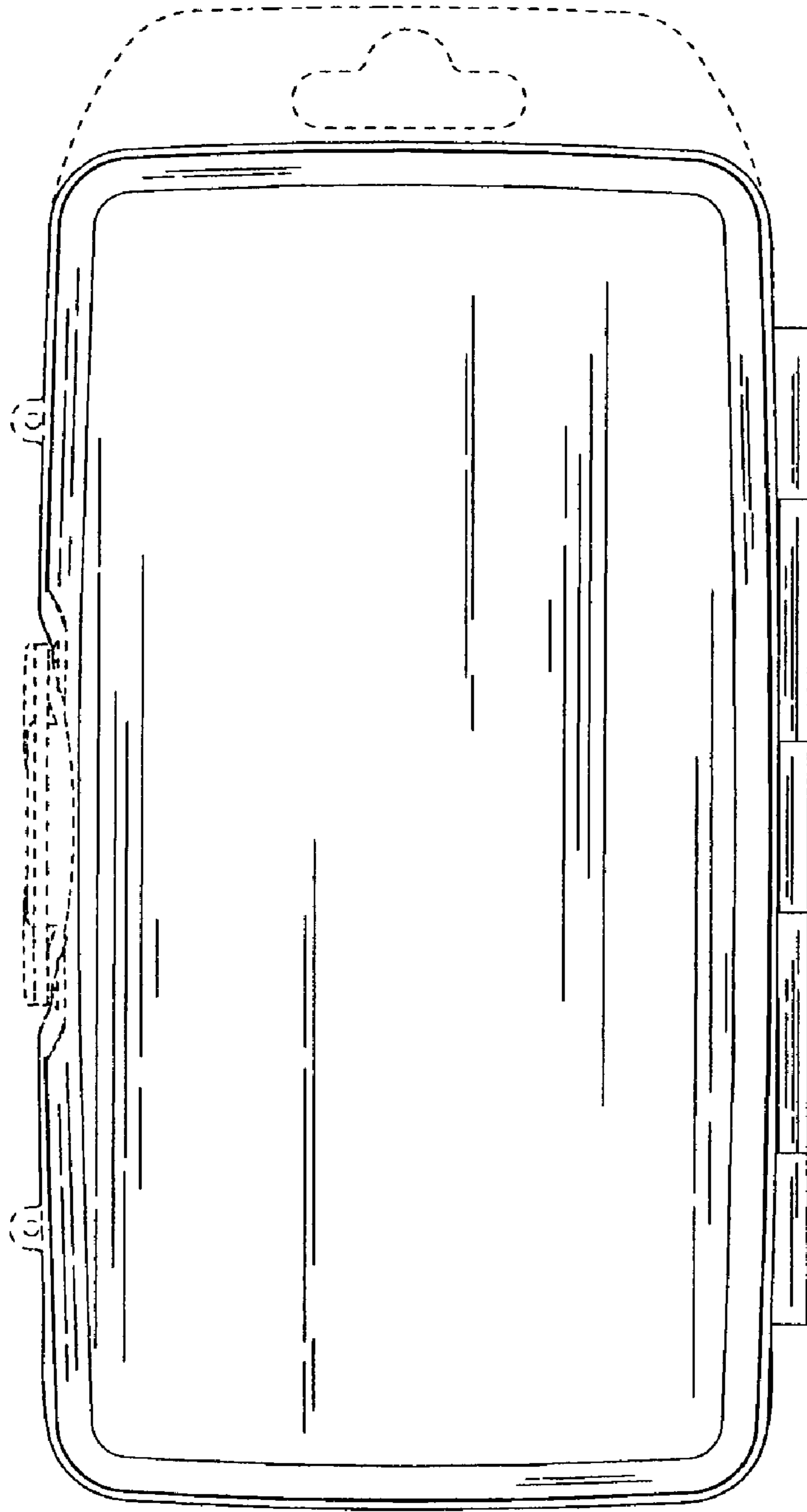


FIG. 5

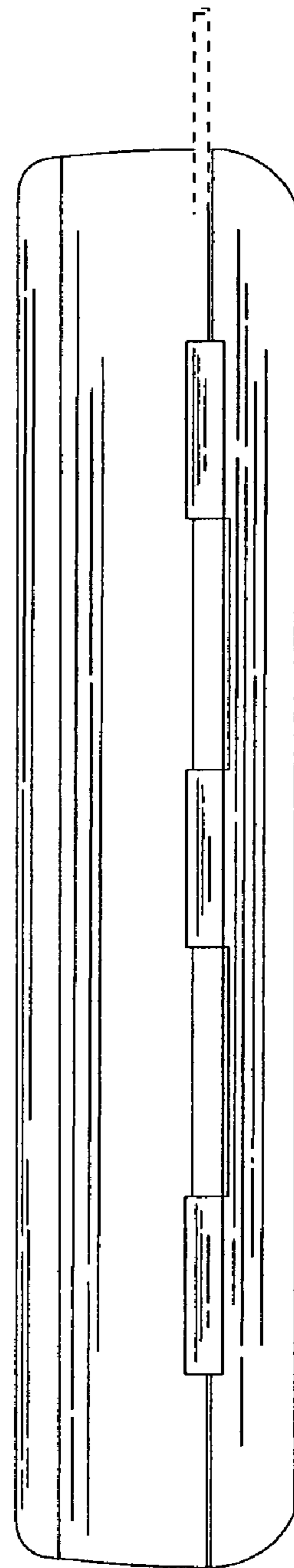


FIG. 6

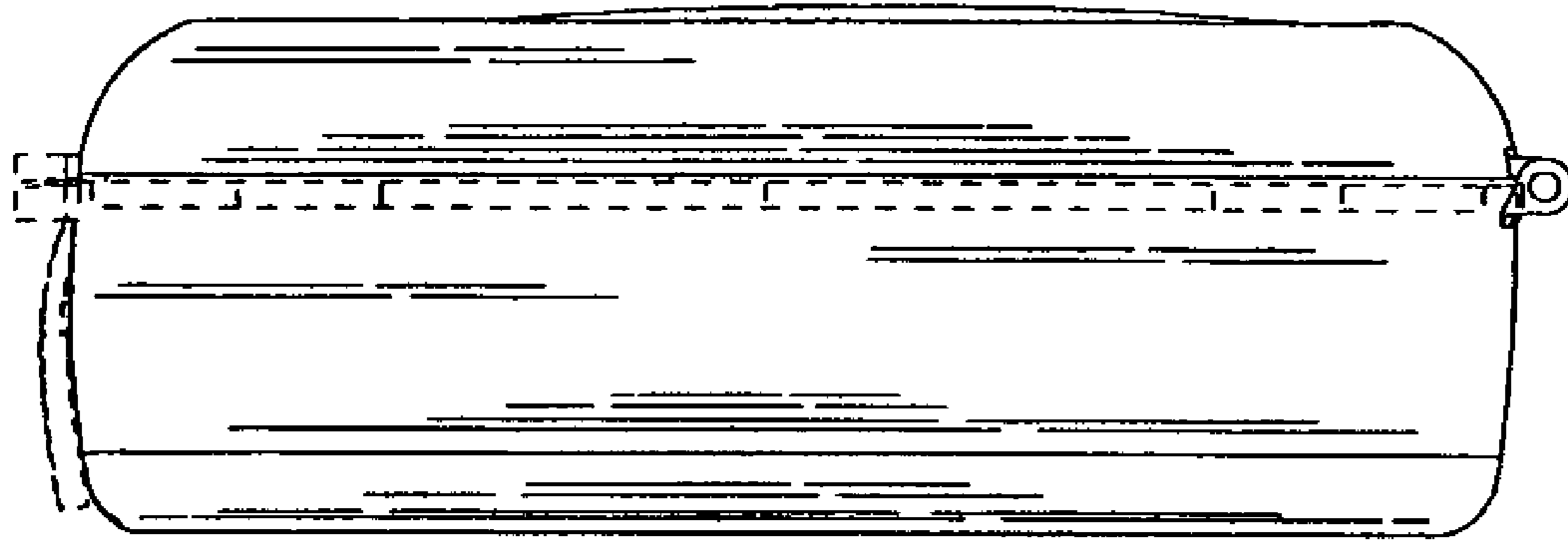


FIG. 7

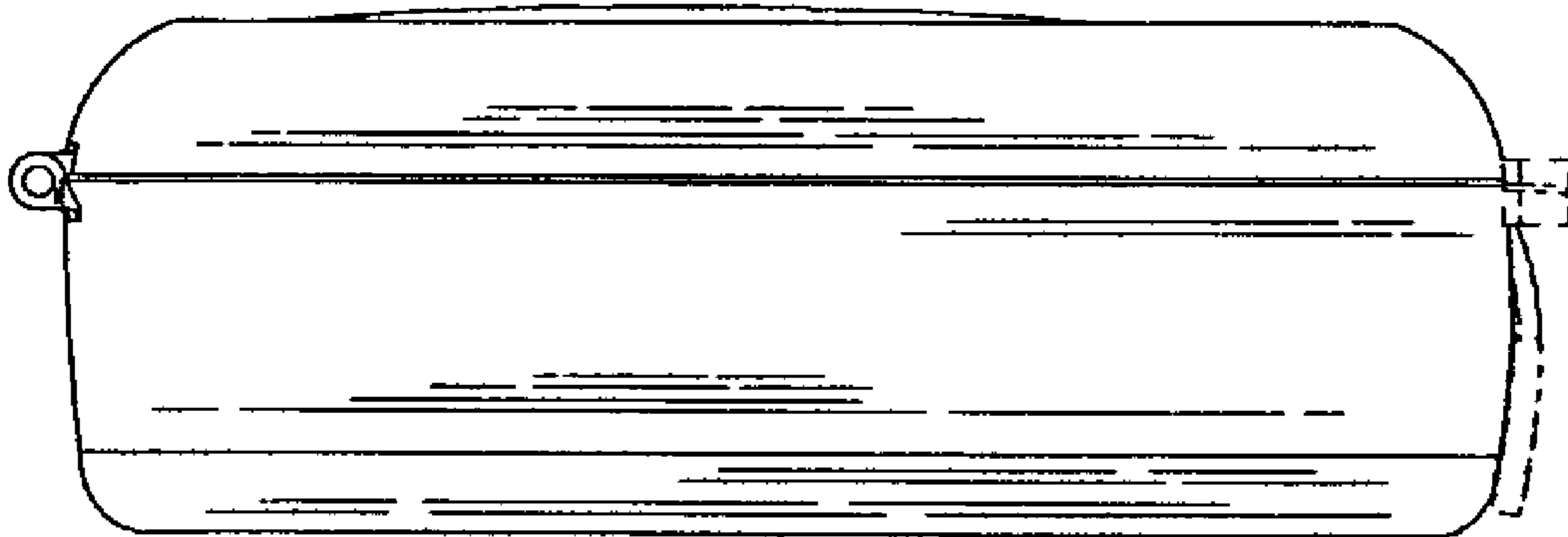


FIG. 8