



US00D640054S

(12) **United States Design Patent**
Custer

(10) **Patent No.:** **US D640,054 S**
(45) **Date of Patent:** **** Jun. 21, 2011**

(54) **LUGGAGE ROLLER WITH DOCKING ZIPPER**

(76) Inventor: **Dan Custer**, Germantown, TN (US)

(**) Term: **14 Years**

(21) Appl. No.: **29/366,168**

(22) Filed: **Jul. 20, 2010**

Related U.S. Application Data

(63) Continuation-in-part of application No. 29/363,447, filed on Jun. 9, 2010, now abandoned.

(51) **LOC (9) Cl.** **03-01**

(52) **U.S. Cl.** **D3/274; D3/279**

(58) **Field of Classification Search** D3/272,
D3/273, 276, 279, 283, 285, 289, 291, 292,
D3/274; 190/100-127, 18 A
See application file for complete search history.

(56) **References Cited**

U.S. PATENT DOCUMENTS

D534,353 S * 1/2007 Hsieh D3/279
D554,862 S * 11/2007 Hsieh D3/279
D582,673 S * 12/2008 Mangano D3/279

D590,154 S * 4/2009 Hopwood et al. D3/279
D597,309 S * 8/2009 Jongchul D3/279
D601,342 S * 10/2009 Choi D3/279
2008/0135365 A1 * 6/2008 Han 190/107
2009/0139814 A1 * 6/2009 Grossman et al. 190/18 A
2010/0101971 A1 * 4/2010 Chisholm 206/526

* cited by examiner

Primary Examiner — Jennifer Rivard

(74) *Attorney, Agent, or Firm* — Baker Donelson Bearman Caldwell & Berkowitz, PC; Julie R. Baldrige

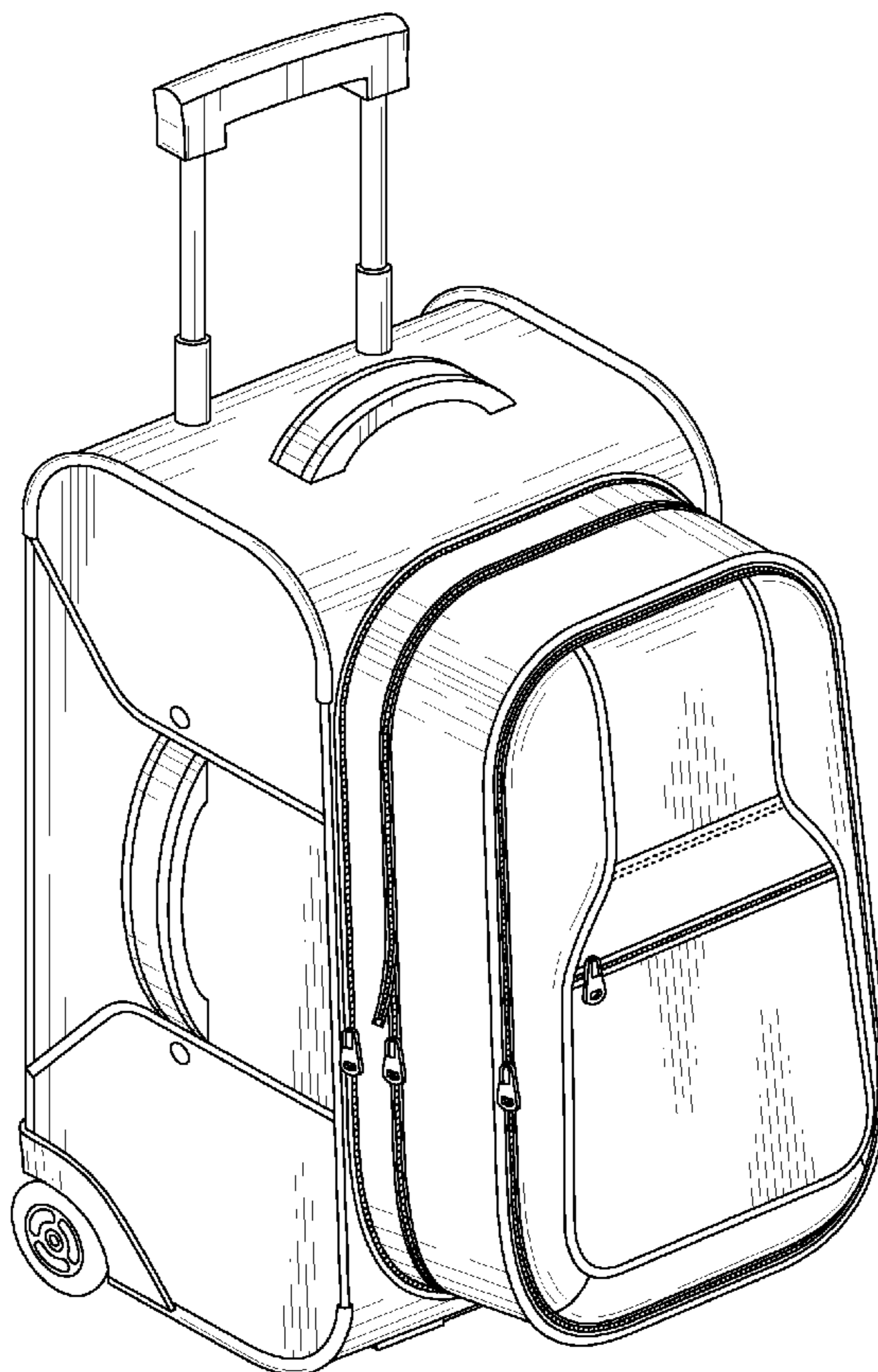
(57) **CLAIM**

I claim the ornamental design for a luggage roller with docking zipper, as shown.

DESCRIPTION

FIG. 1 is a perspective view of a luggage roller with docking zipper showing my new design;
FIG. 2 is a front elevation view thereof;
FIG. 3 is a rear elevation view thereof;
FIG. 4 is a right elevation view thereof;
FIG. 5 is a left elevation view thereof;
FIG. 6 is a top view thereof; and,
FIG. 7 is a bottom view thereof.

1 Claim, 4 Drawing Sheets



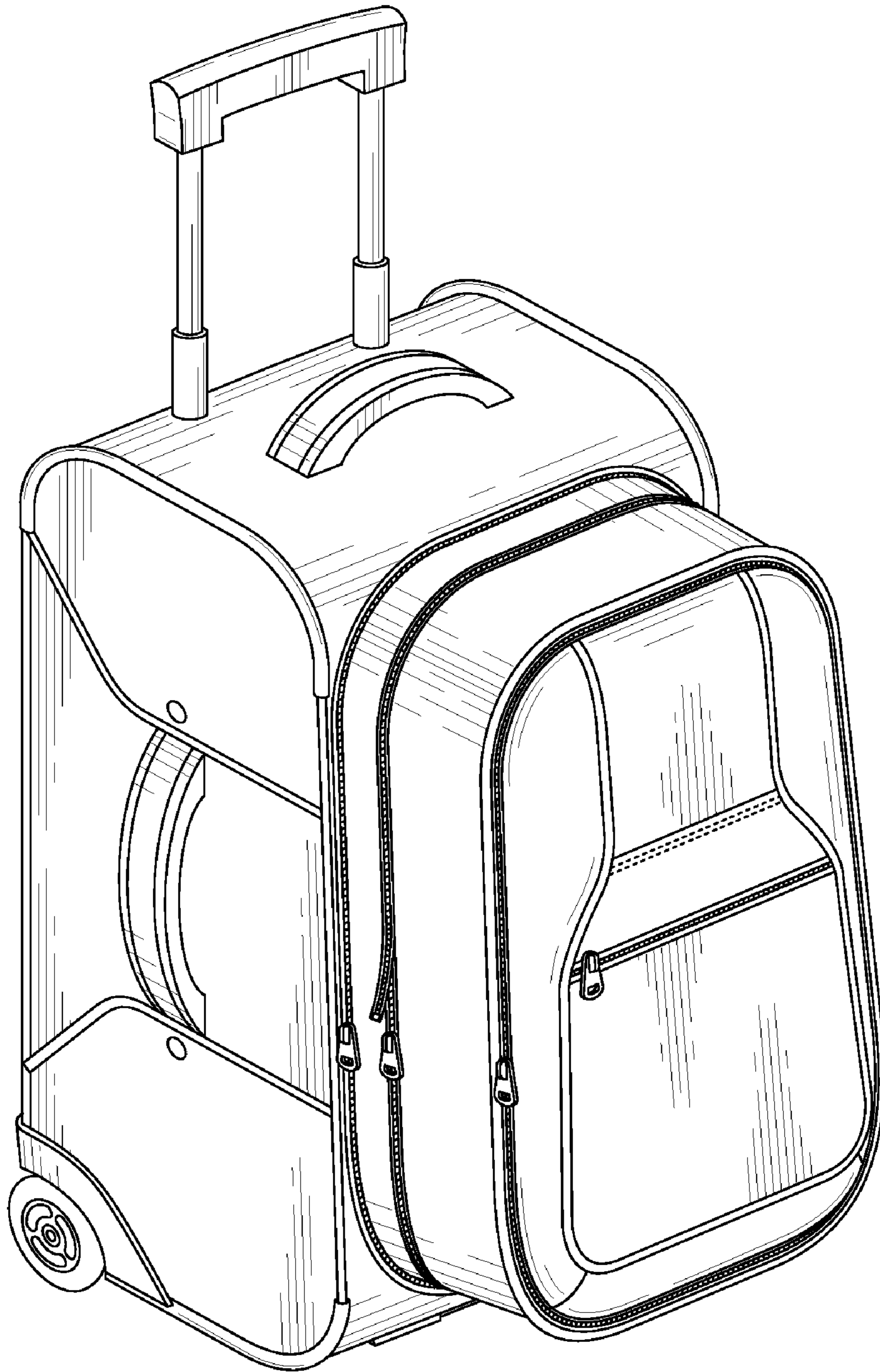


FIG. 1

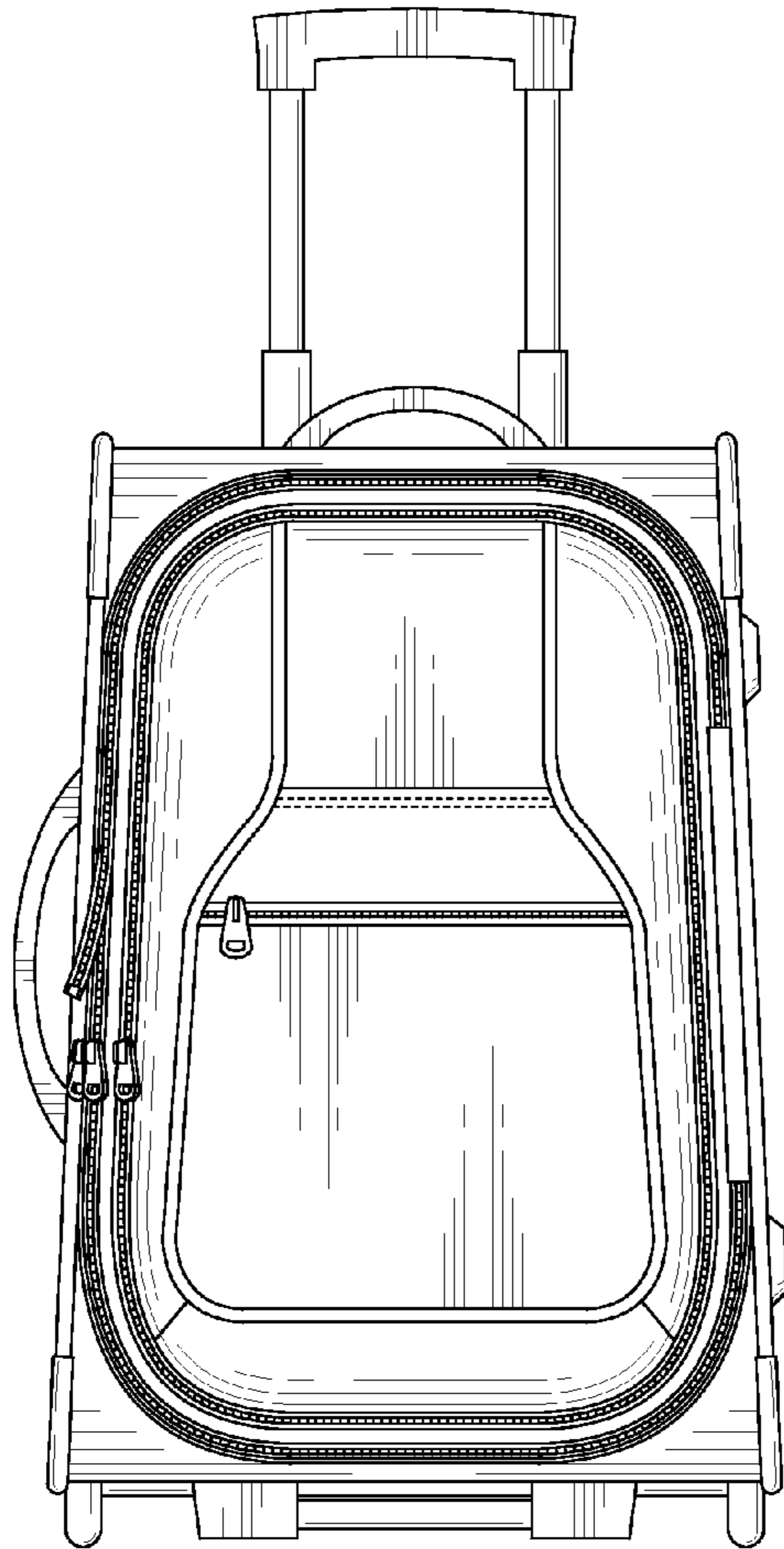


FIG. 2

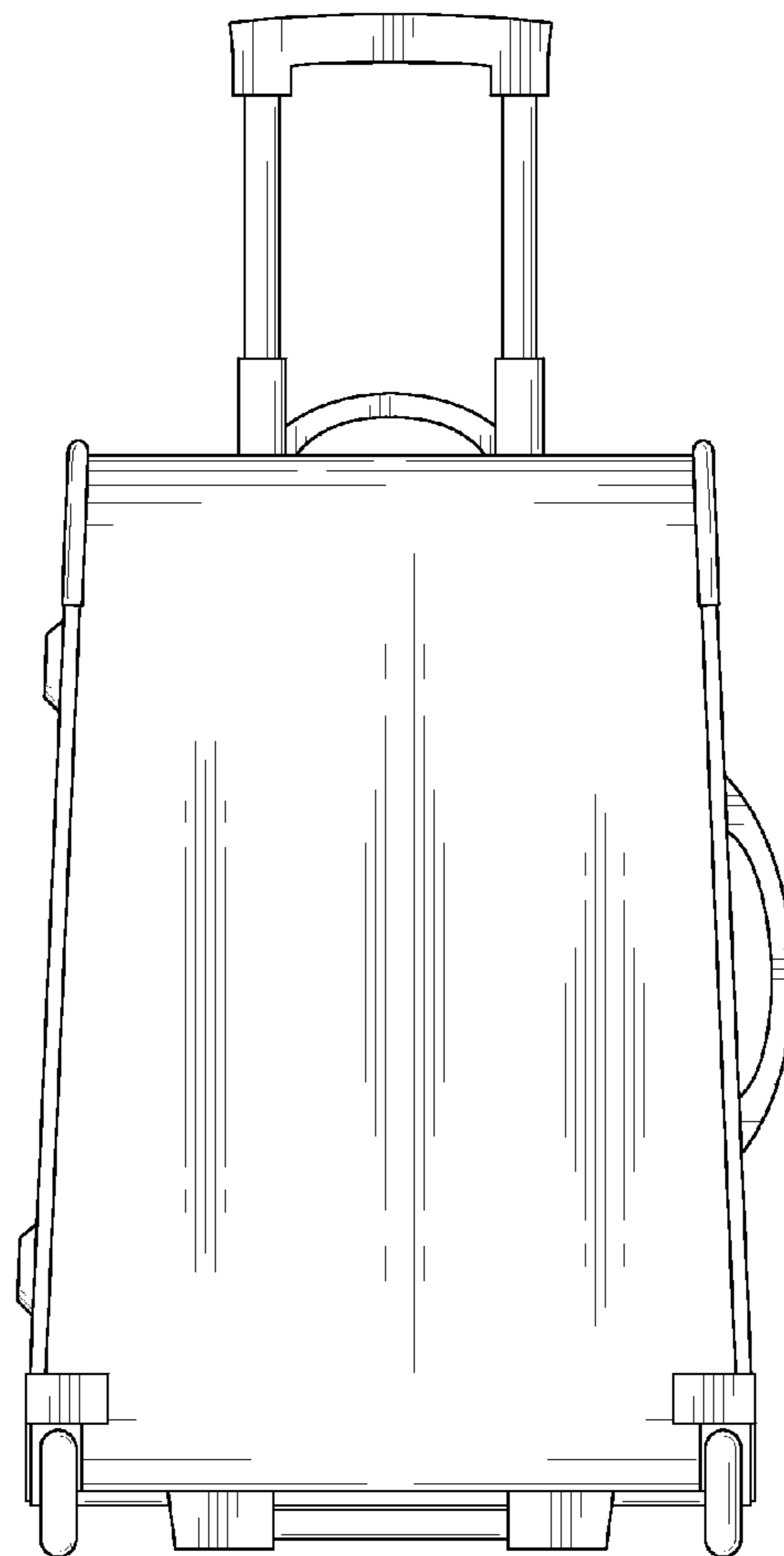


FIG. 3

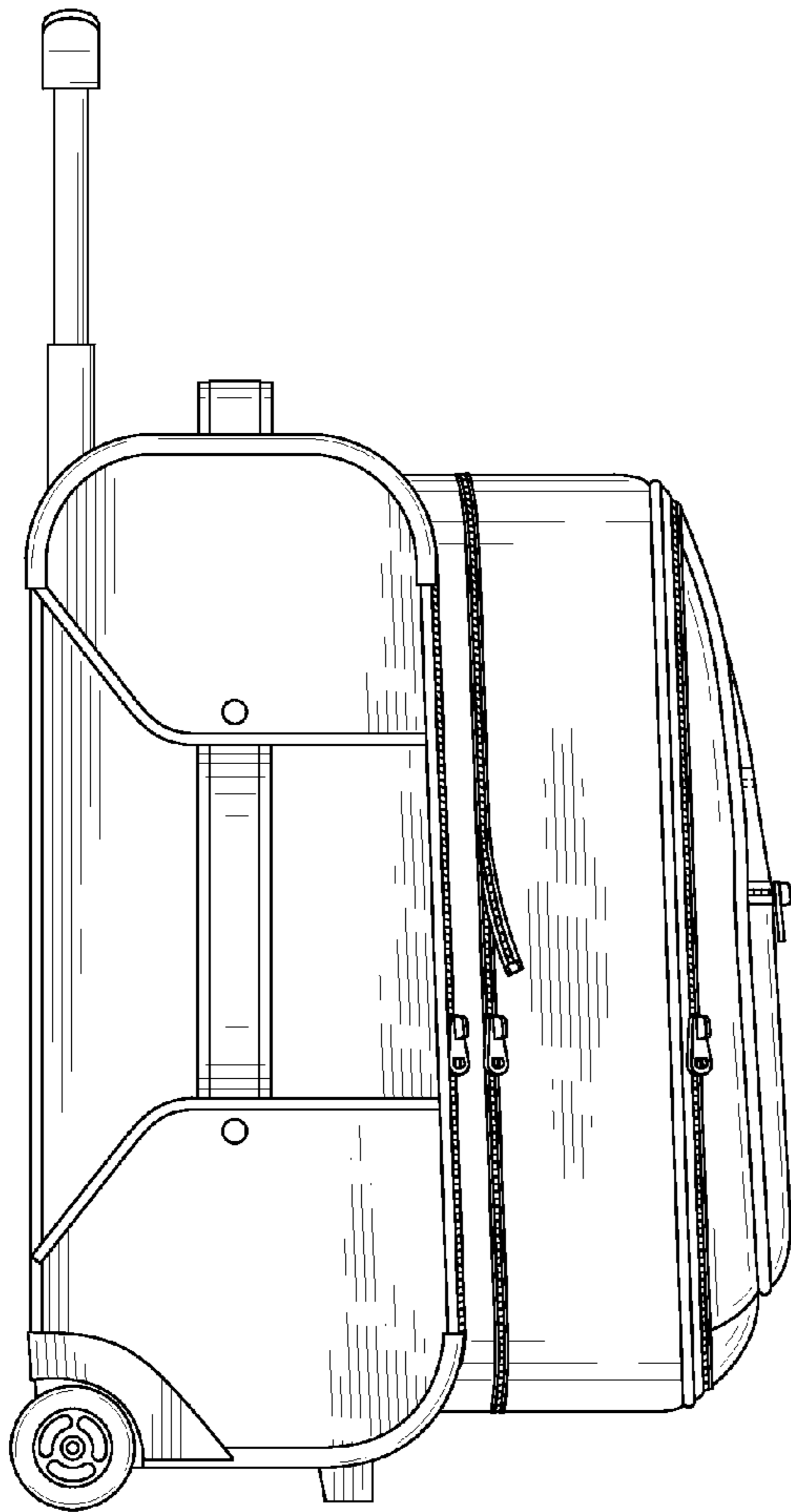


FIG. 4

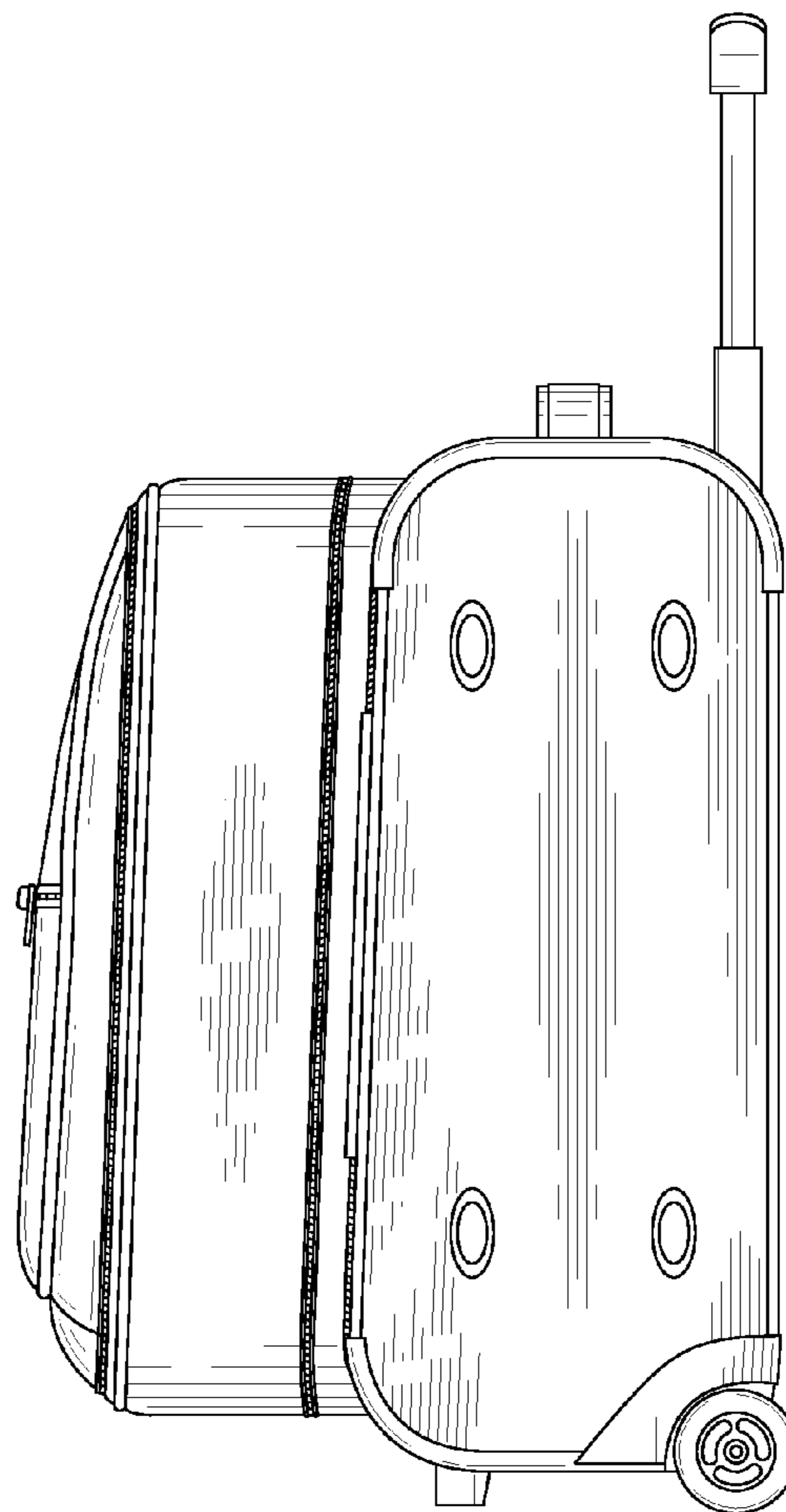


FIG. 5

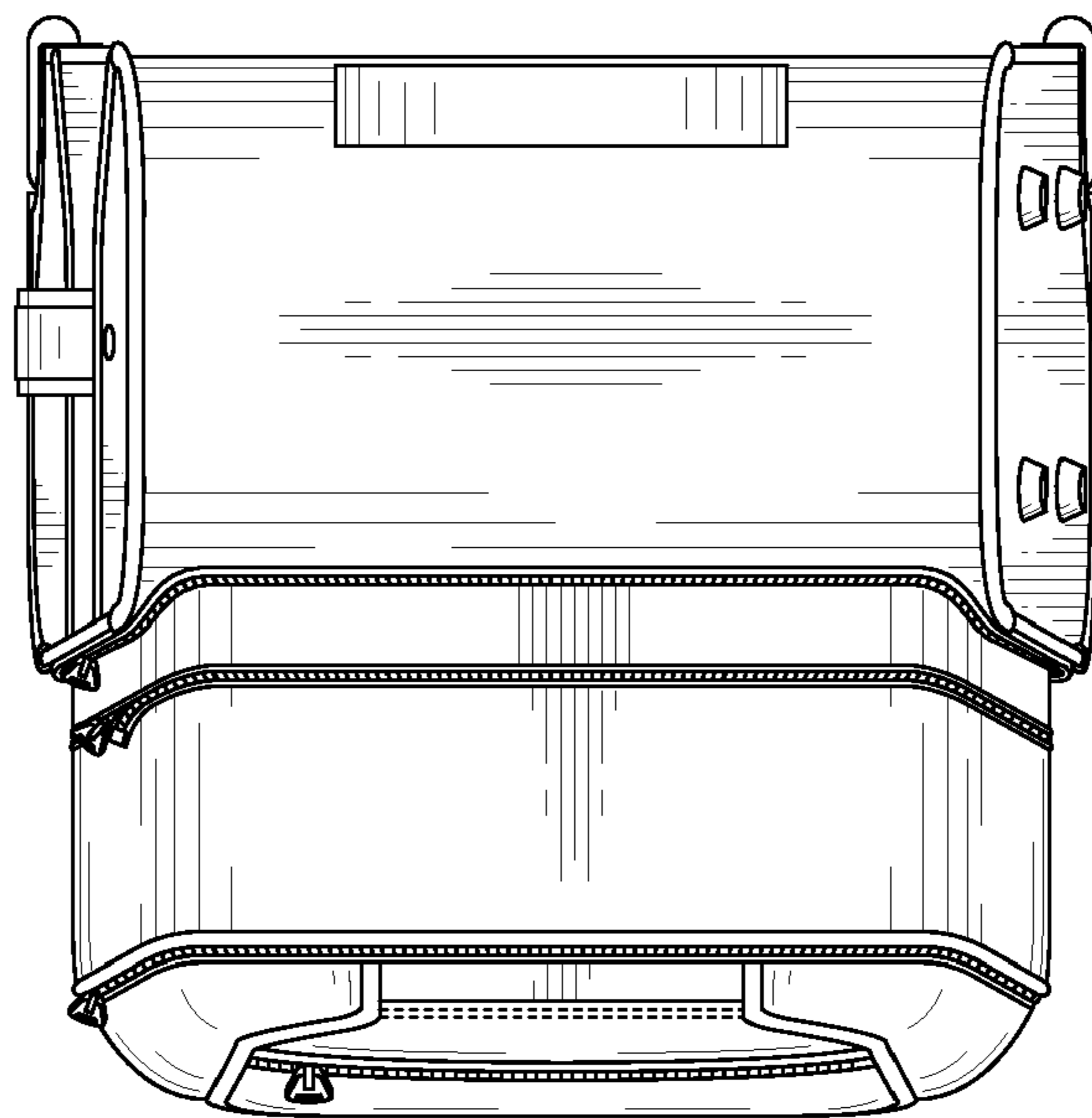


FIG. 6

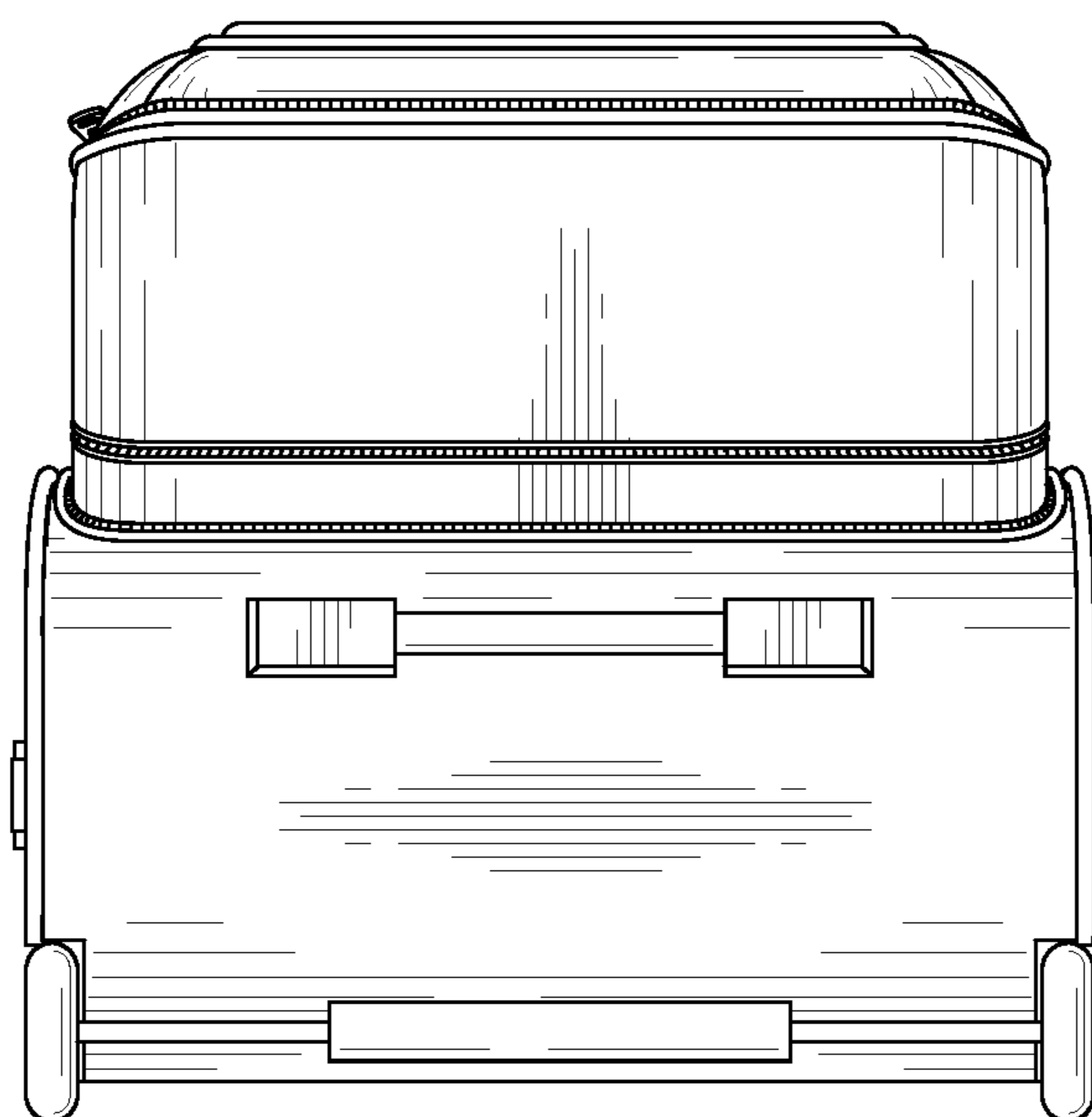


FIG. 7