



US00D640052S

(12) **United States Design Patent**
Benson

(10) **Patent No.:** **US D640,052 S**

(45) **Date of Patent:** **** Jun. 21, 2011**

(54) **SURFBOARD CARRIER**

(76) Inventor: **Linda Benson**, Solana Beach, CA (US)

(**) Term: **14 Years**

(21) Appl. No.: **29/378,677**

(22) Filed: **Nov. 8, 2010**

(51) **LOC (9) Cl.** **03-01**

(52) **U.S. Cl.** **D3/254**

(58) **Field of Classification Search** D3/221,
D3/201, 254, 261, 315; 294/15, 26, 137,
294/142, 153; 224/250, 258, 268, 578, 609,
224/620, 917

See application file for complete search history.

(56) **References Cited**

U.S. PATENT DOCUMENTS

3,377,007	A *	4/1968	Gayler, Jr.	224/609
3,591,063	A	7/1971	Pearce		
D255,317	S *	6/1980	Slinkard	294/137
4,699,415	A *	10/1987	Skovajsa	294/147
4,804,025	A	2/1989	Bear		
D321,792	S *	11/1991	MacNeary	D3/221

5,746,361	A *	5/1998	Johnson	224/258
6,857,673	B2	2/2005	Lang		
2010/0187274	A1	7/2010	Chock		

* cited by examiner

Primary Examiner — Catheri Oliver

(74) *Attorney, Agent, or Firm* — Gary L. Loomis; G.L. Loomis & Associates, Inc.

(57) **CLAIM**

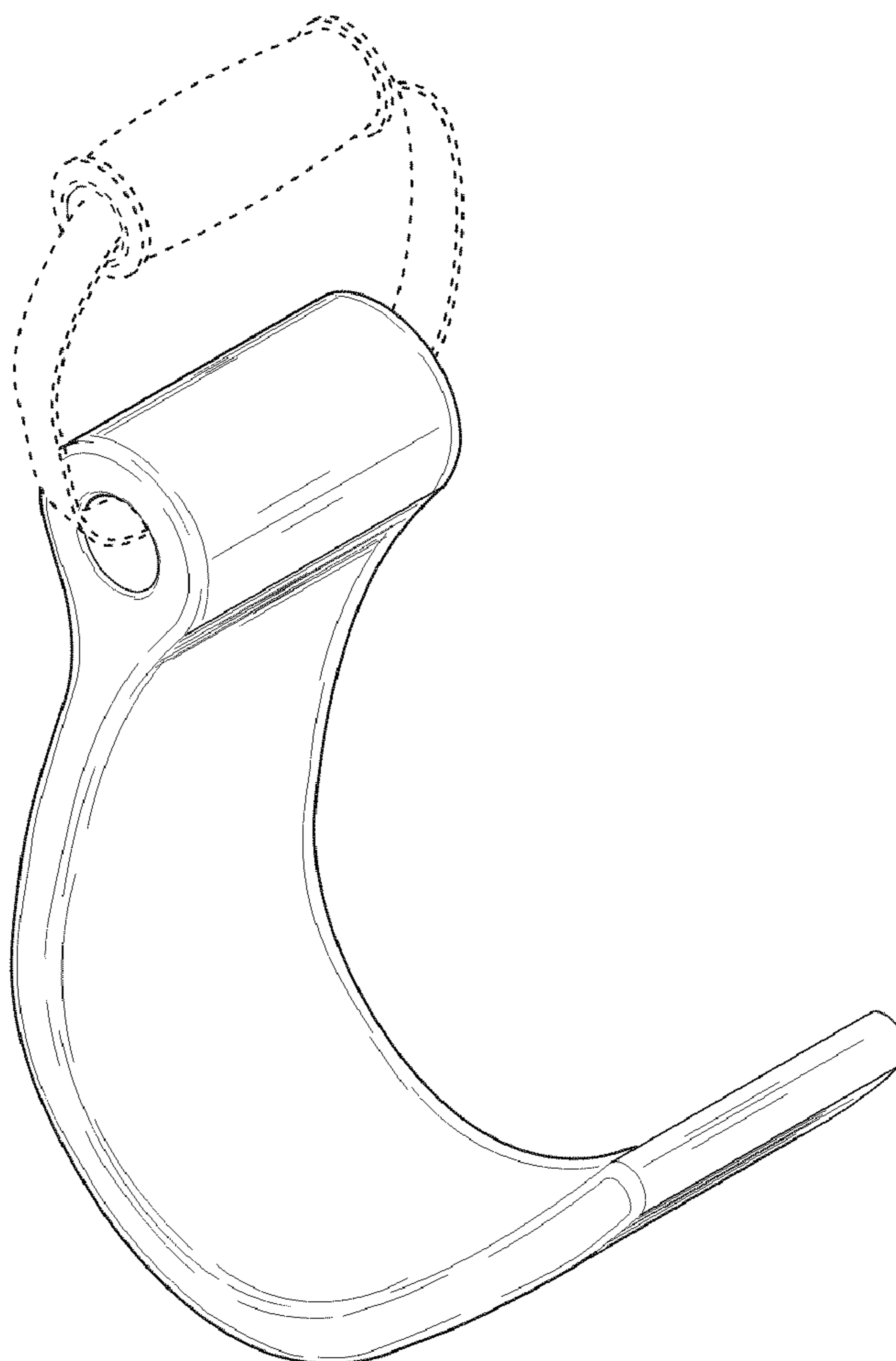
The ornamental design for a surfboard carrier, as shown and described.

DESCRIPTION

FIG. 1 is a rear and side perspective view of the surfboard carrier showing my new design in use; FIG. 2 is a front and side perspective view; FIG. 3 is a top plan view thereof; FIG. 4 is a front elevation view thereof; and, FIG. 5 is a side elevation view thereof.

The broken line showing of environment in the drawings is for illustrative purposes only and forms no part of the claimed design.

1 Claim, 2 Drawing Sheets



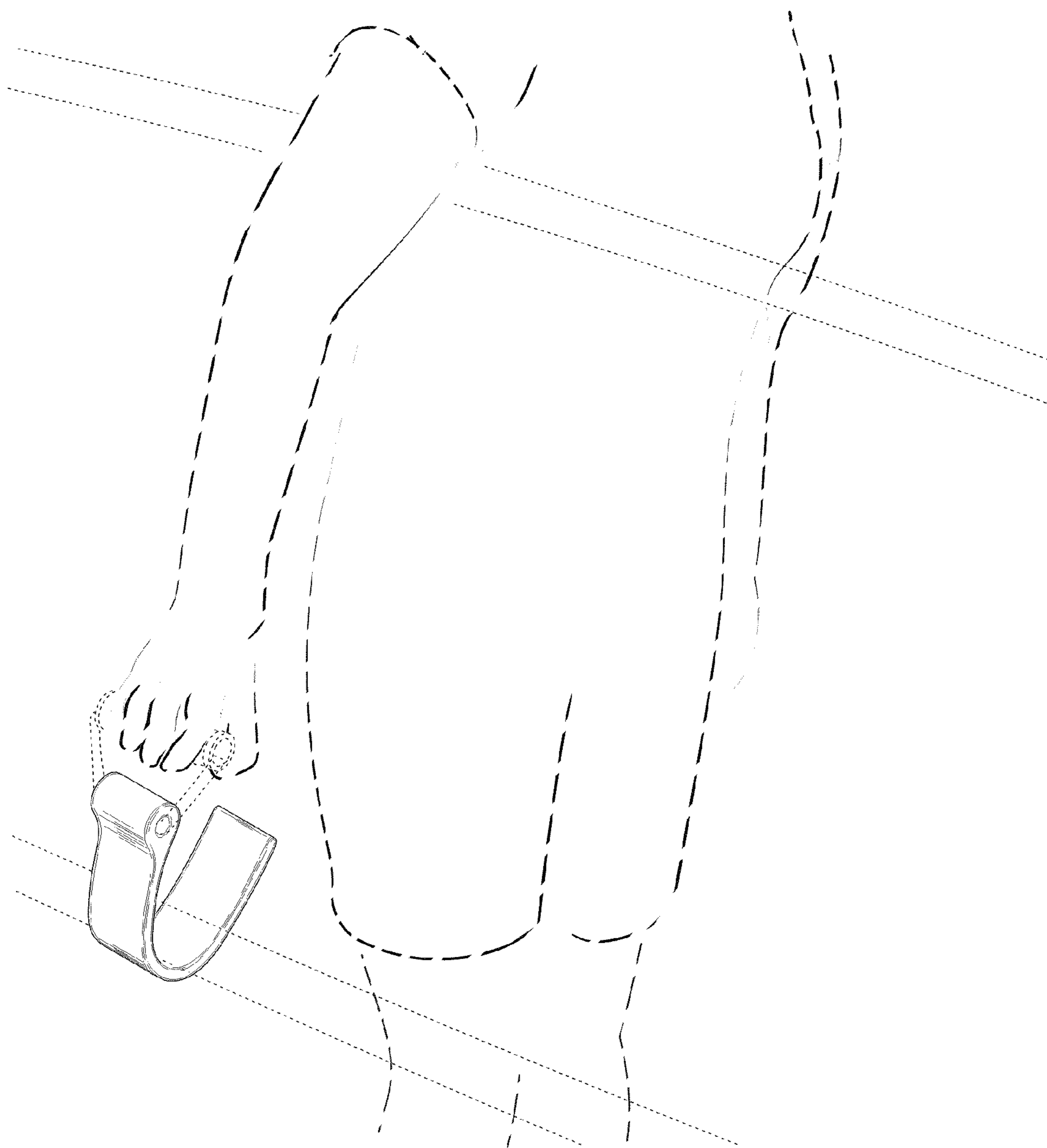


FIG. 1

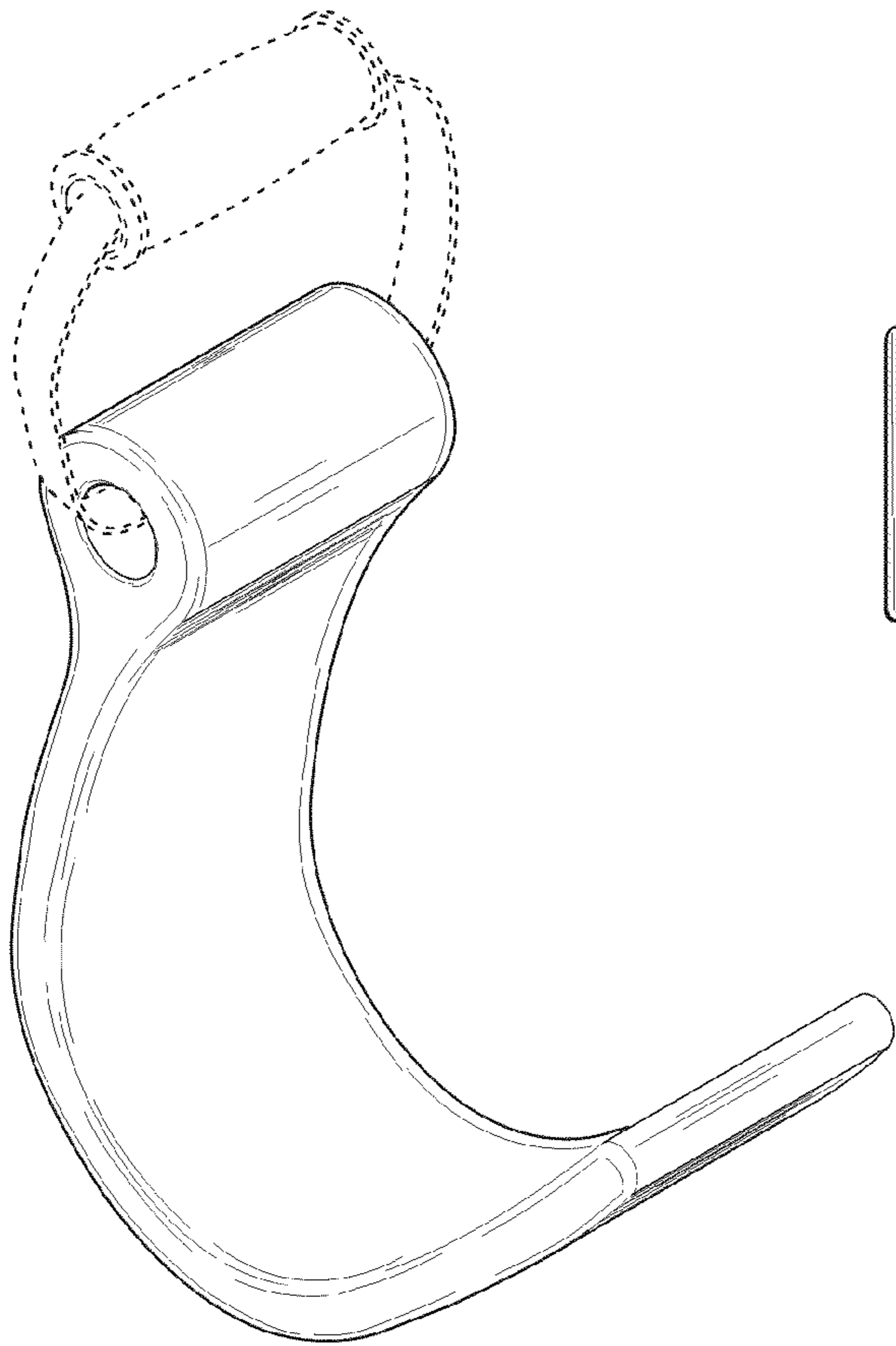


FIG. 2

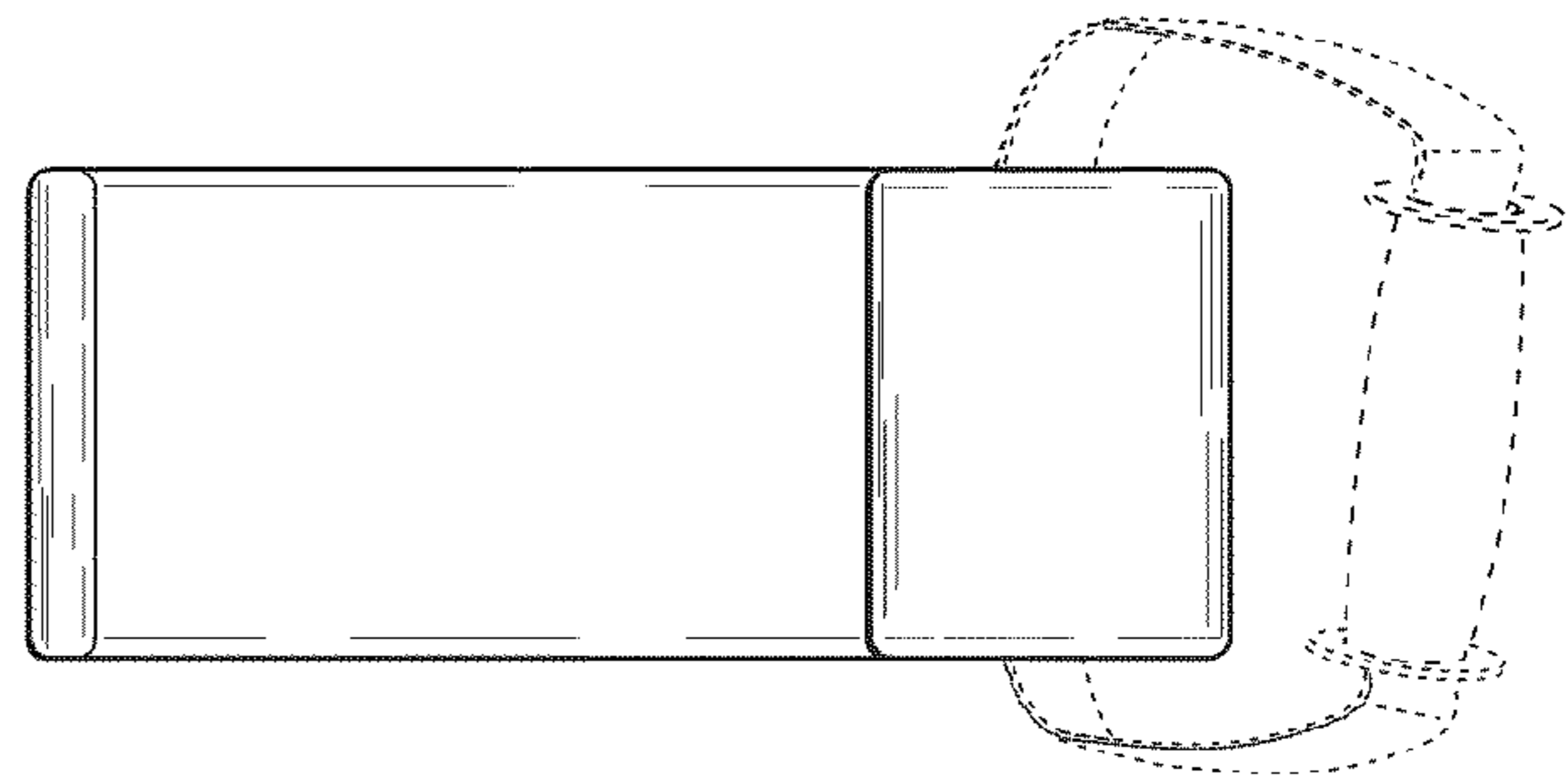


FIG. 3

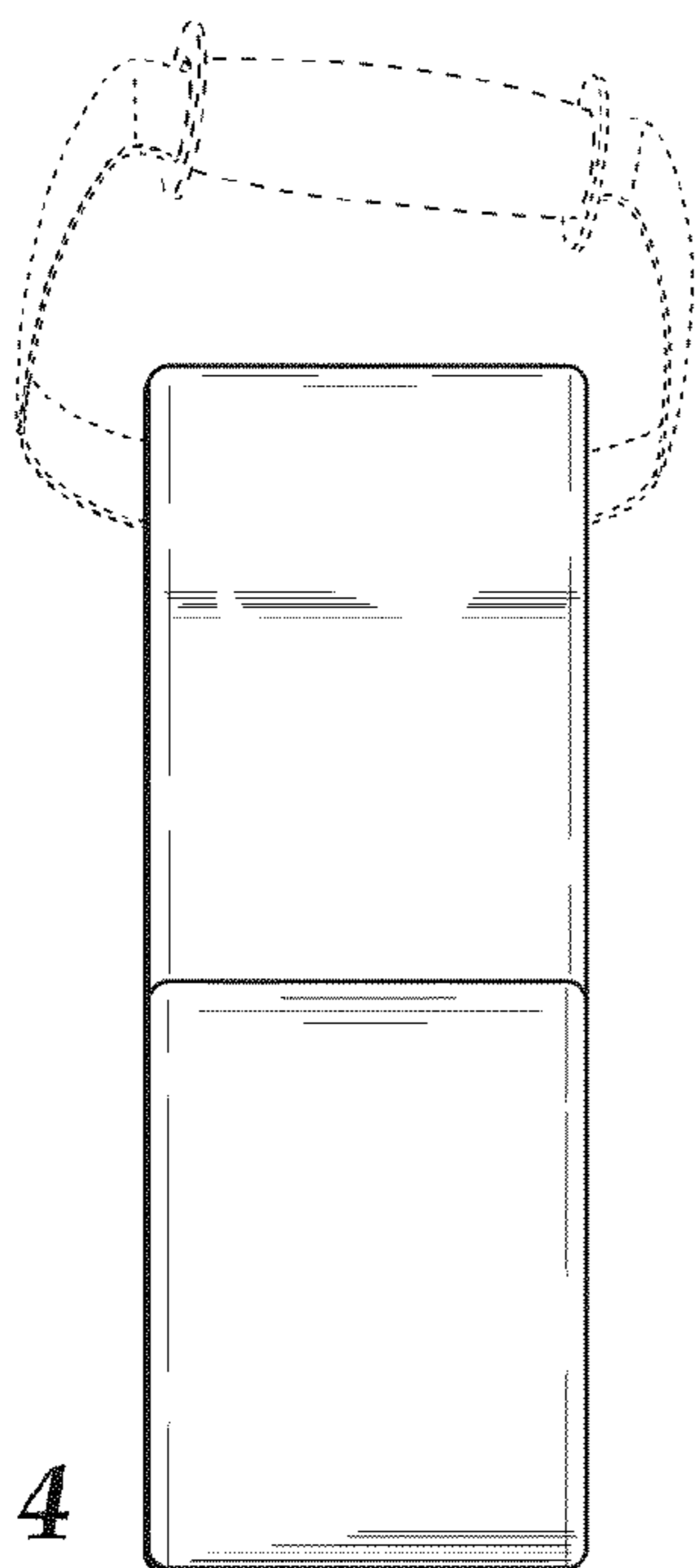


FIG. 4

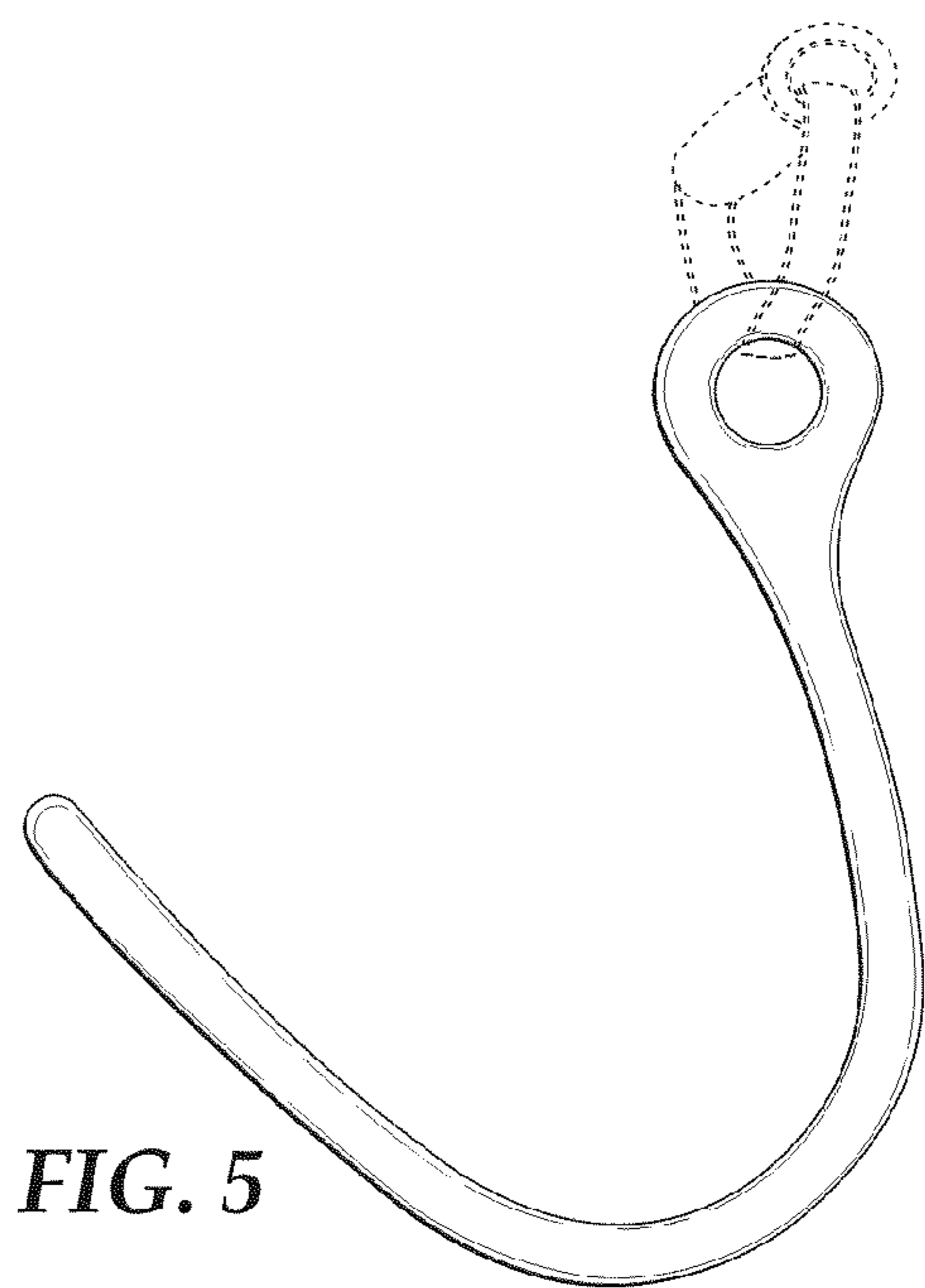


FIG. 5