



US00D640051S

(12) **United States Design Patent**
Custer

(10) **Patent No.:** **US D640,051 S**

(45) **Date of Patent:** **** Jun. 21, 2011**

(54) **BAG WITH DETACHABLE POUCH**

Primary Examiner — Holly Baynham

(76) Inventor: **Dan Custer**, Germantown, TN (US)

(74) *Attorney, Agent, or Firm* — Baker Donelson Bearman
Caldwell & Berkowitz, PC; Julie R. Baldrige

(**) Term: **14 Years**

(21) Appl. No.: **29/369,879**

(57) **CLAIM**

I claim the ornamental design for a bag with detachable pouch, as shown.

(22) Filed: **Sep. 14, 2010**

(51) **LOC (9) Cl.** **03-01**

(52) **U.S. Cl.** **D3/233**

(58) **Field of Classification Search** D3/232–253;
150/130–132, 137

See application file for complete search history.

DESCRIPTION

FIG. 1 is a perspective view of one embodiment of a bag with detachable pouch showing my new design; FIG. 2 is a back perspective view thereof; FIG. 3 is a front elevation view thereof; FIG. 4 is a rear elevation view thereof; FIG. 5 is a right elevation view thereof; FIG. 6 is a left elevation view thereof; FIG. 7 is a top view thereof; and, FIG. 8 is a bottom view thereof.

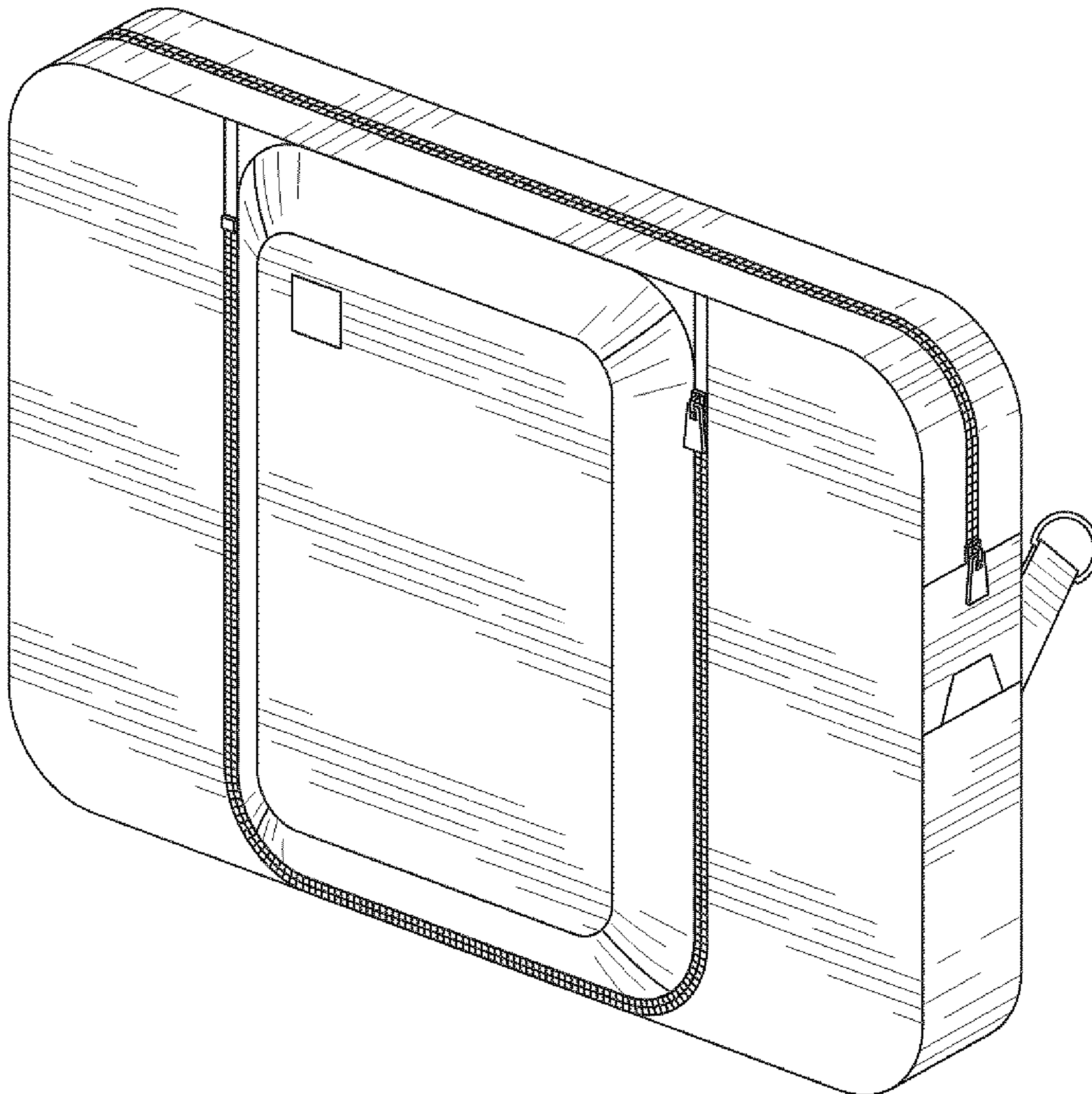
(56) **References Cited**

U.S. PATENT DOCUMENTS

2,247,320 A * 6/1941 Stanley 150/119
D516,306 S * 3/2006 Koenig et al. D3/233
D601,340 S * 10/2009 Shaw D3/232

* cited by examiner

1 Claim, 2 Drawing Sheets



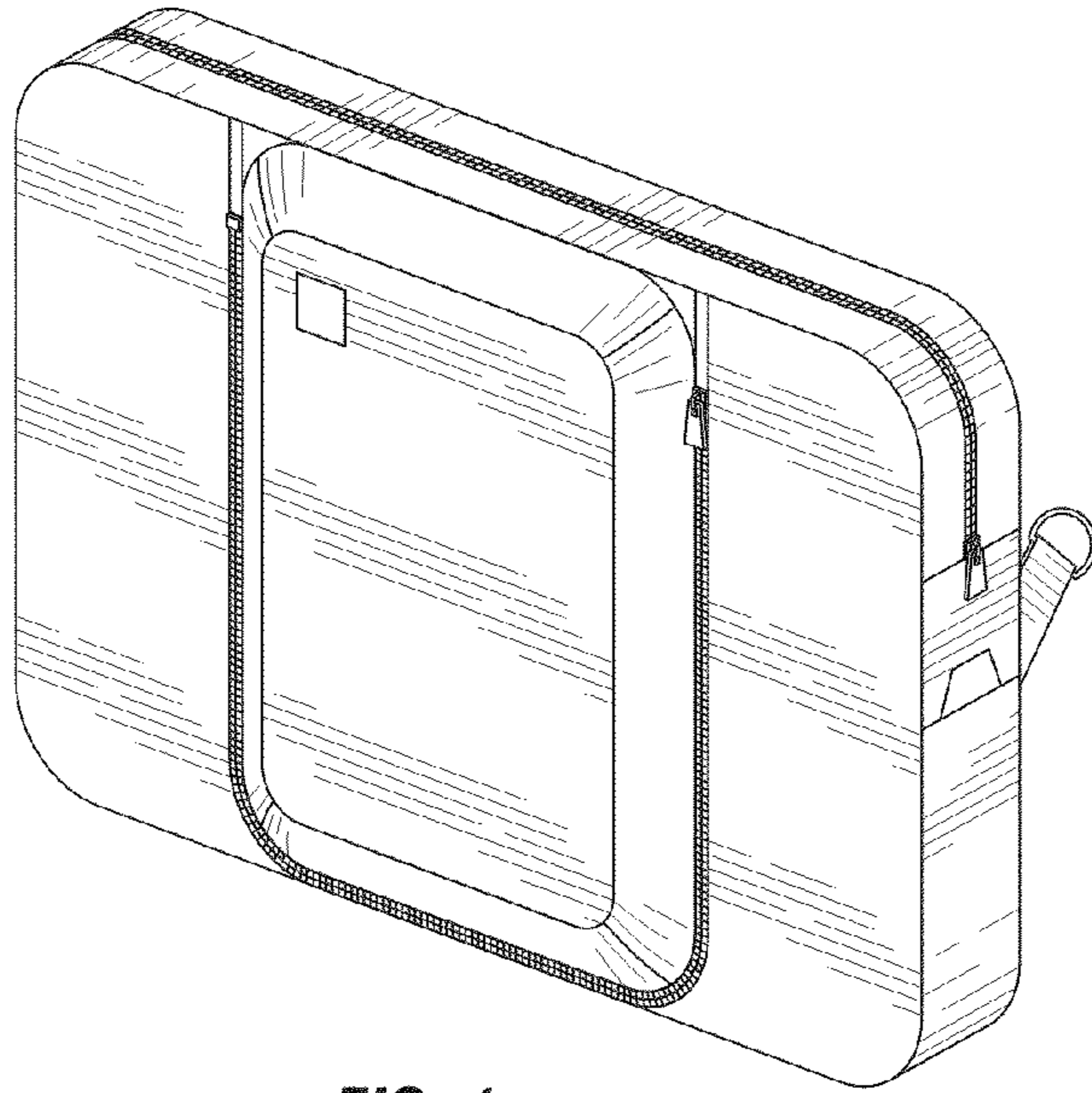


FIG. 1

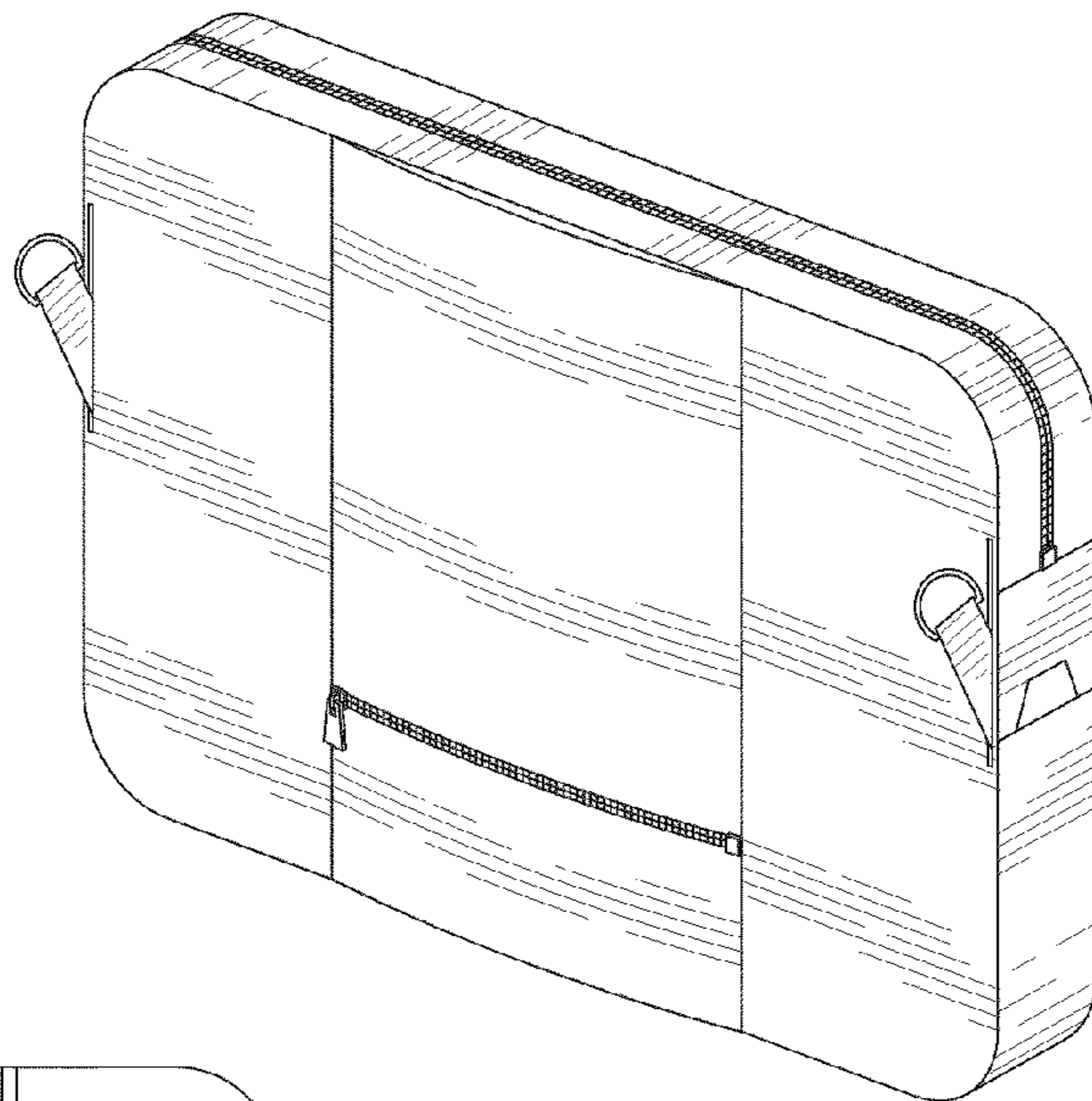


FIG. 2

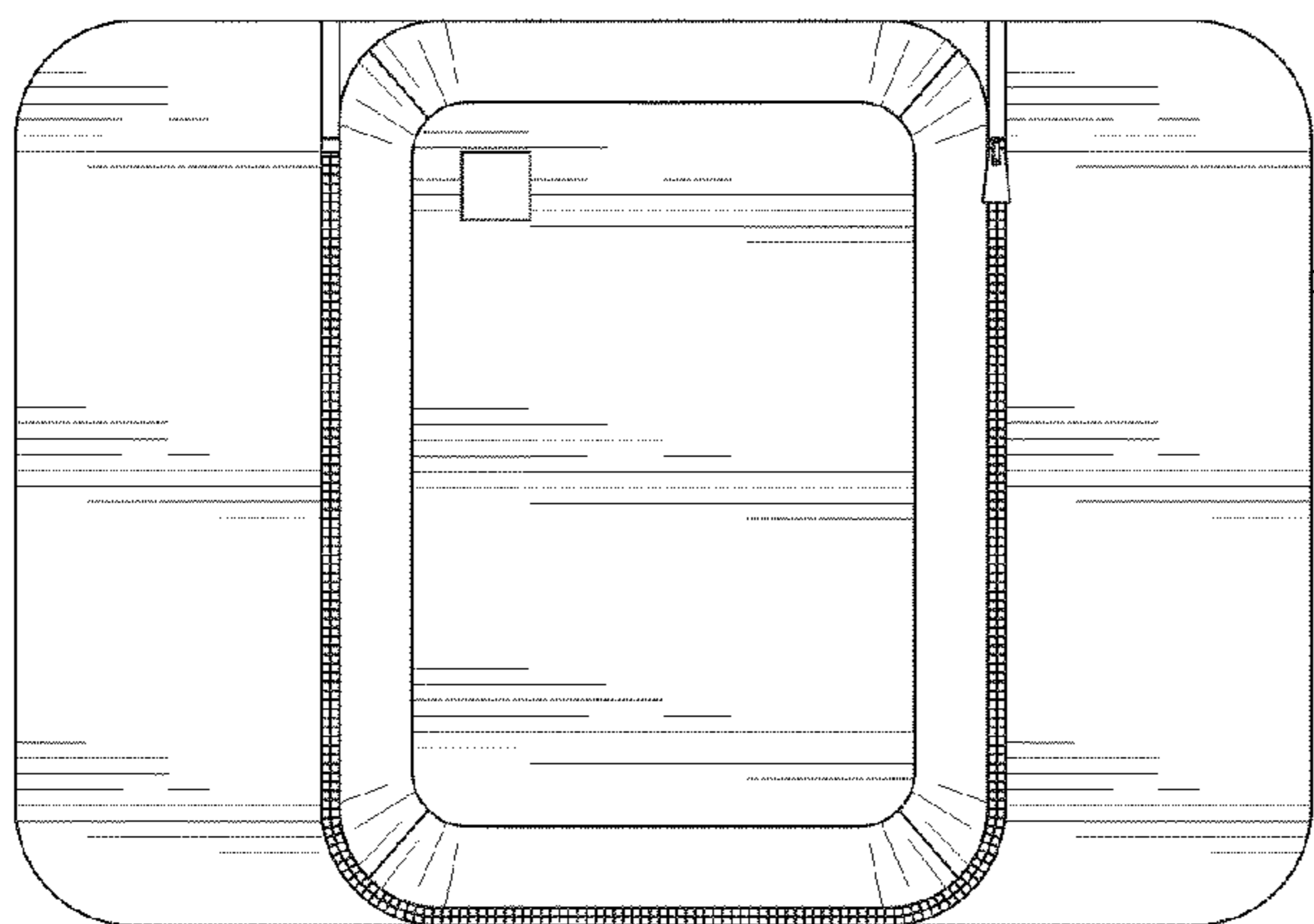


FIG. 3

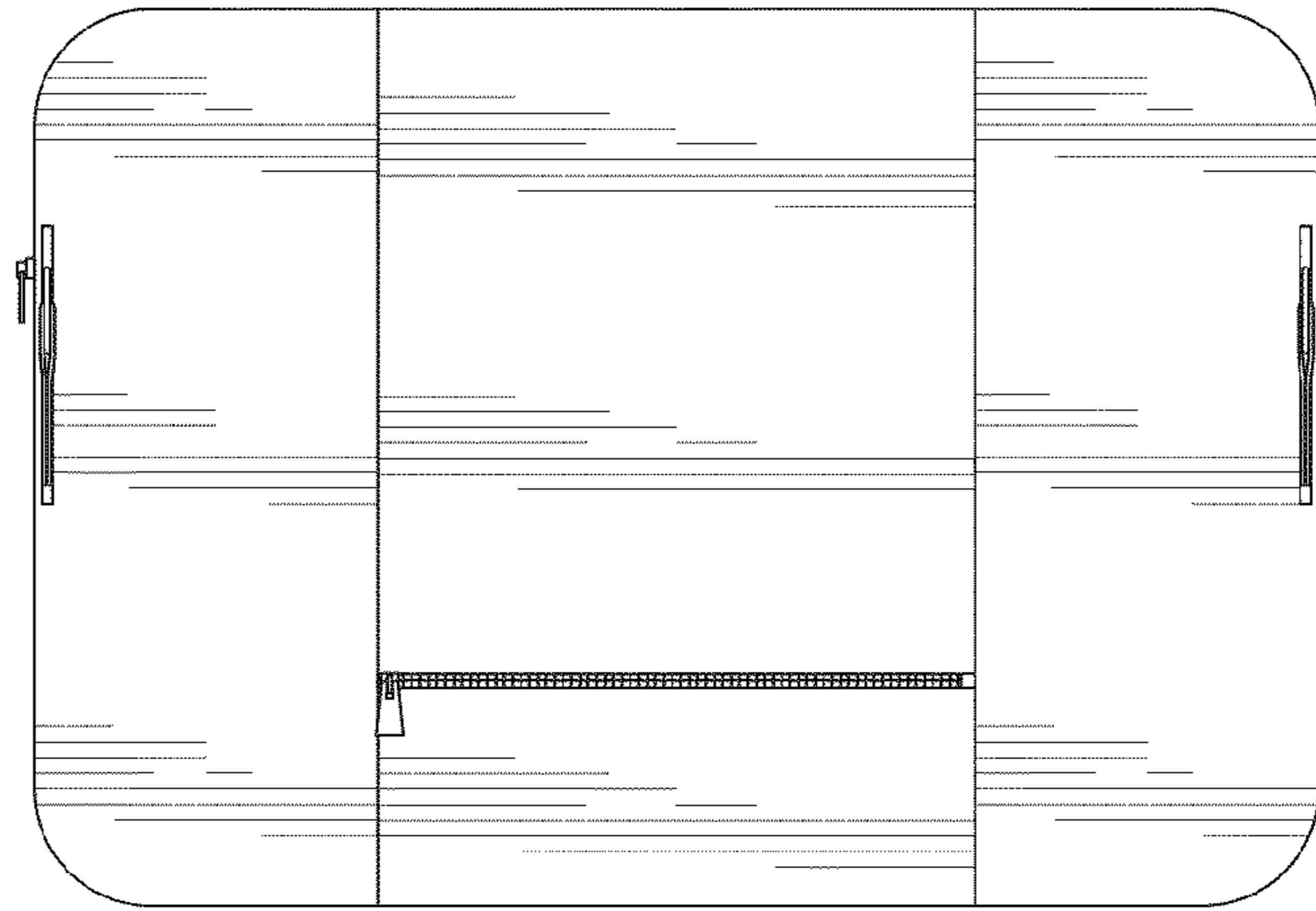


FIG. 4

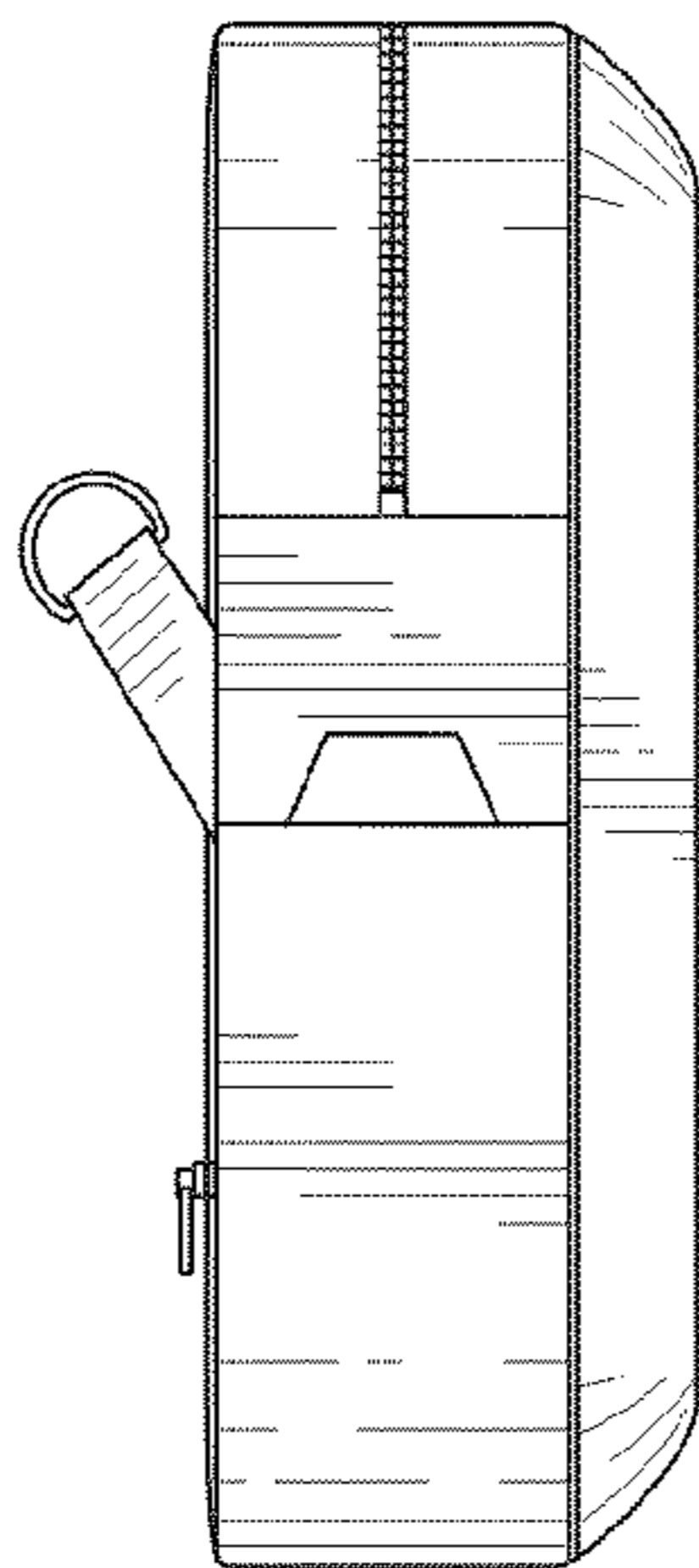


FIG. 5

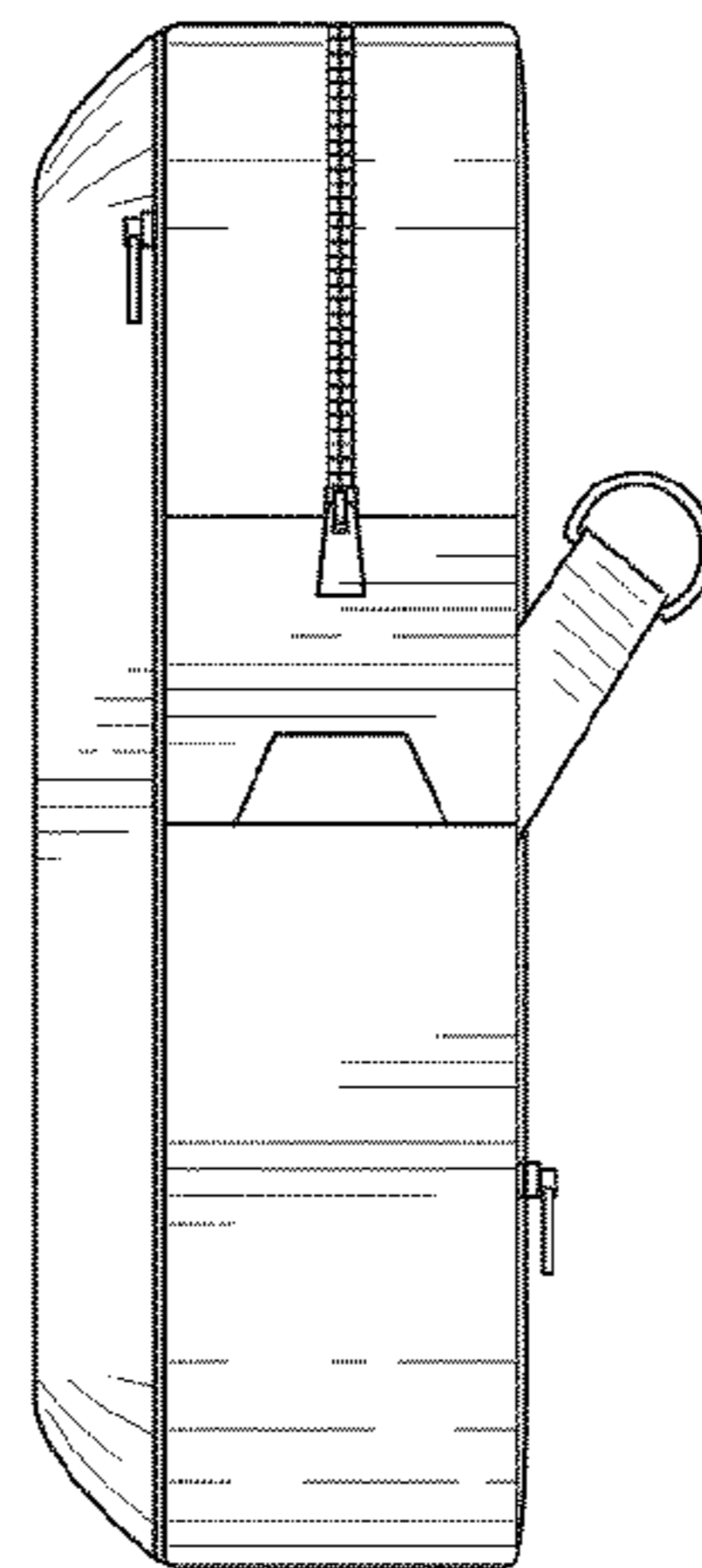


FIG. 6

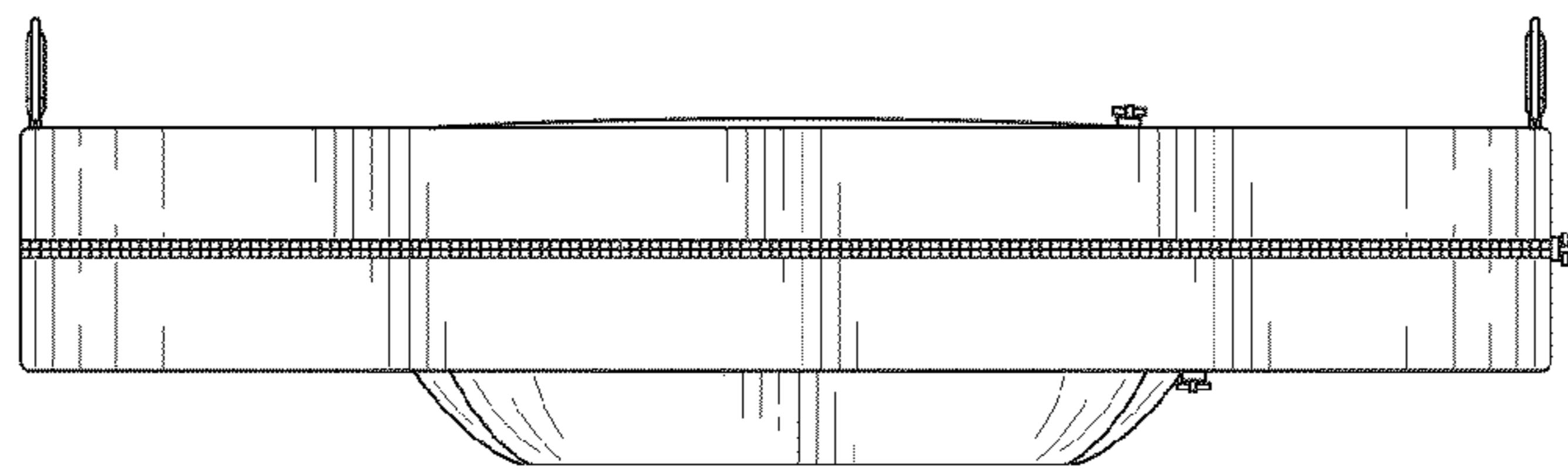


FIG. 7

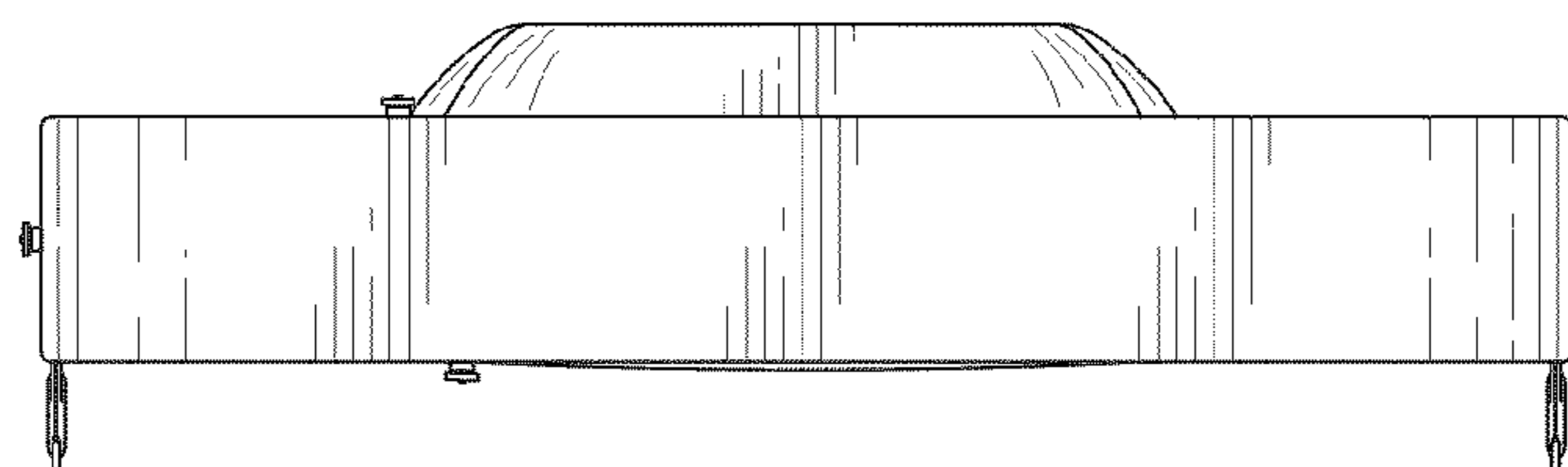


FIG. 8