



US00D640035S

(12) **United States Design Patent**  
**Biegel**

(10) **Patent No.:** **US D640,035 S**

(45) **Date of Patent:** **\*\* \*Jun. 14, 2011**

- (54) **CREMATORY URN**
- (76) Inventor: **Achim Biegel**, Oberthal (DE)
- (\*) Notice: This patent is subject to a terminal disclaimer.
- (\*\*) Term: **14 Years**
- (21) Appl. No.: **29/340,901**
- (22) Filed: **Jul. 28, 2009**
- (51) **LOC (9) Cl.** ..... **99-00**
- (52) **U.S. Cl.** ..... **D99/5**
- (58) **Field of Classification Search** ..... D99/1,  
D99/5; 27/1-10; D7/540, 591, 612, 619.1,  
D7/624.3; D23/366; 206/776; 220/602,  
220/568, 212, 212.5, 210, 200, 288, 62.18;  
D9/503

D213,777	S	*	4/1969	Chandler	.....	D99/5
D214,894	S	*	8/1969	Chandler	.....	D99/5
D257,819	S	*	1/1981	Morin	.....	D7/591
D263,088	S	*	2/1982	Krech	.....	D99/5
D294,446	S	*	3/1988	Tardif	.....	D7/612
5,082,136	A	*	1/1992	Schumann	.....	220/278
5,172,457	A	*	12/1992	Allen et al.	.....	27/1
D356,422	S	*	3/1995	Parker	.....	D99/5
D360,732	S	*	7/1995	Parker	.....	D99/5
D398,733	S	*	9/1998	Diviak, Sr.	.....	D99/5
D411,747	S	*	6/1999	Kokenge et al.	.....	D9/503
D452,826	S	*	1/2002	Bezek et al.	.....	D9/503
D479,641	S	*	9/2003	Robinson	.....	D99/5
D614,825	S	*	4/2010	Biegel	.....	D99/5
D616,174	S	*	5/2010	Biegel	.....	D99/5
D620,674	S	*	7/2010	Biegel	.....	D99/5
D621,124	S	*	8/2010	Biegel	.....	D99/5

**FOREIGN PATENT DOCUMENTS**

EM	000981089-0002	S	8/2008
EM	000981089-0004	S	8/2008
EM	000981089-0008	S	8/2008
EM	000981089-0011	S	8/2008

See application file for complete search history.

\* cited by examiner

*Primary Examiner* — Paula Greene

(56) **References Cited**

**U.S. PATENT DOCUMENTS**

1,969,486	A	*	8/1934	Kurz	.....	220/568
1,974,996	A	*	9/1934	Punte	.....	220/602
1,977,641	A	*	10/1934	Loeber	.....	220/212.5
D98,914	S	*	3/1936	Briscoe	.....	D99/5
2,196,486	A	*	4/1940	Anderson	.....	220/288
D120,797	S	*	5/1940	Boe	.....	D9/503
2,235,617	A	*	3/1941	Klinzing	.....	220/288
2,385,520	A	*	9/1945	Klinzing	.....	27/1
2,500,611	A	*	3/1950	Kereluck	.....	99/508
2,670,868	A	*	3/1954	Stover et al.	.....	215/46
2,739,751	A	*	3/1956	Bailey	.....	220/522
2,786,595	A	*	3/1957	Nelson	.....	220/212
2,913,140	A	*	11/1959	Vuilleminot	.....	220/210
3,051,303	A	*	8/1962	Daanen et al.	.....	206/776
3,323,683	A	*	6/1967	Cianciolo	.....	222/142.6

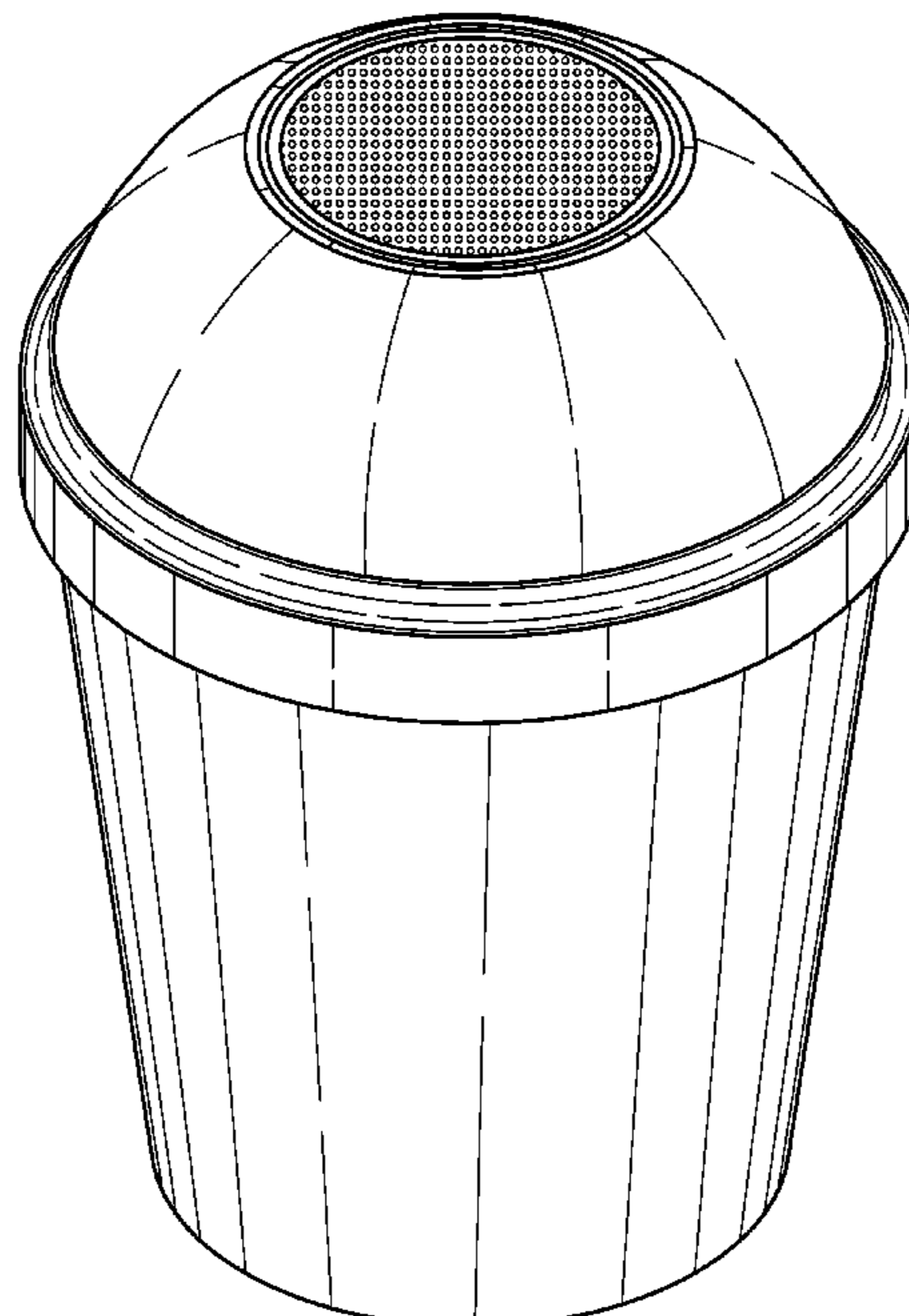
(57) **CLAIM**

The ornamental design for a crematory urn, as shown and described.

**DESCRIPTION**

FIG. 1 is a perspective view of a crematory urn showing my new design;  
FIG. 2 is a front elevational view, the left side, right side, and rear elevational views are a mirror image;  
FIG. 3 is a top plan view thereof; and,  
FIG. 4 is a bottom plan view thereof.

**1 Claim, 4 Drawing Sheets**



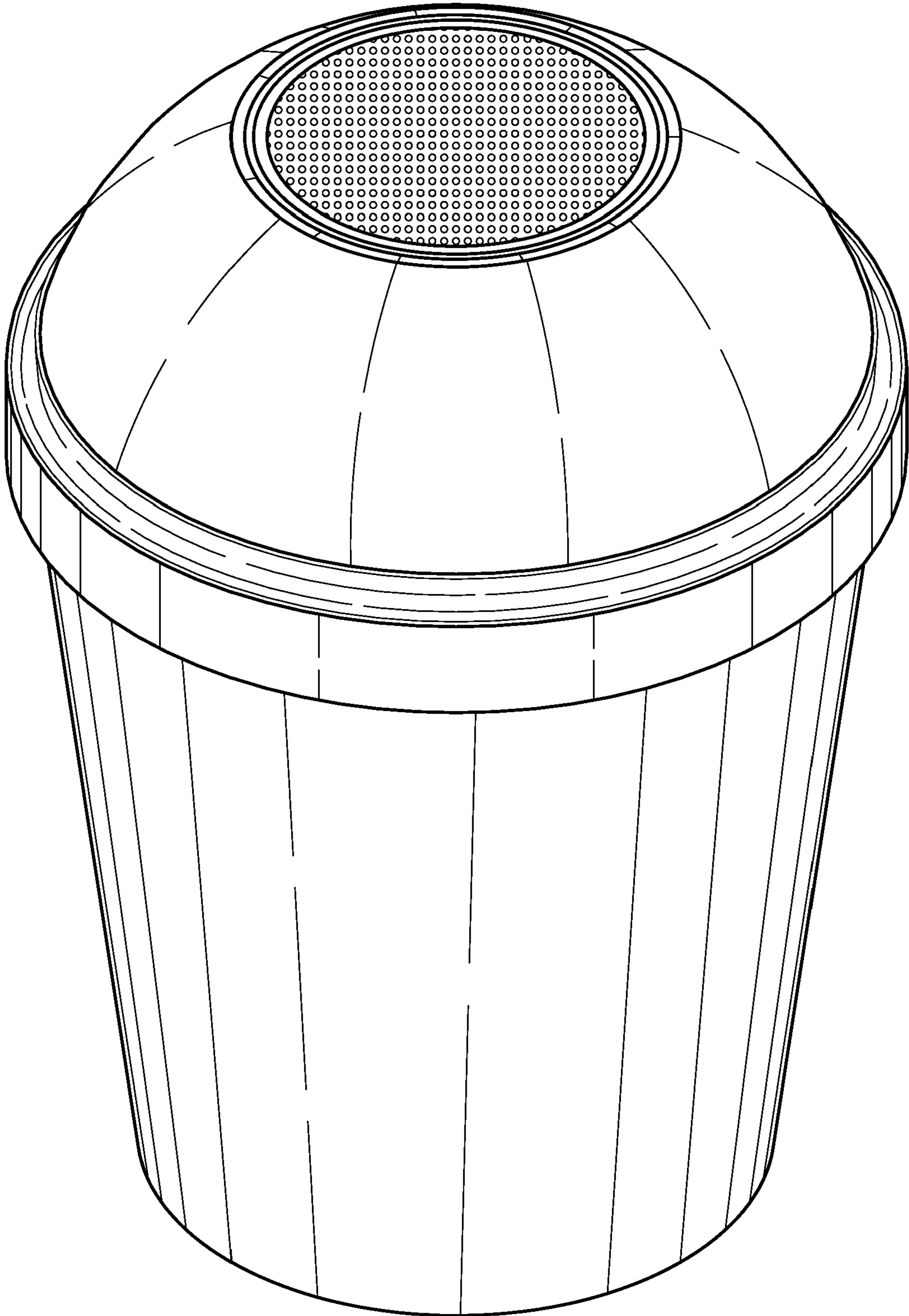


Fig. 1

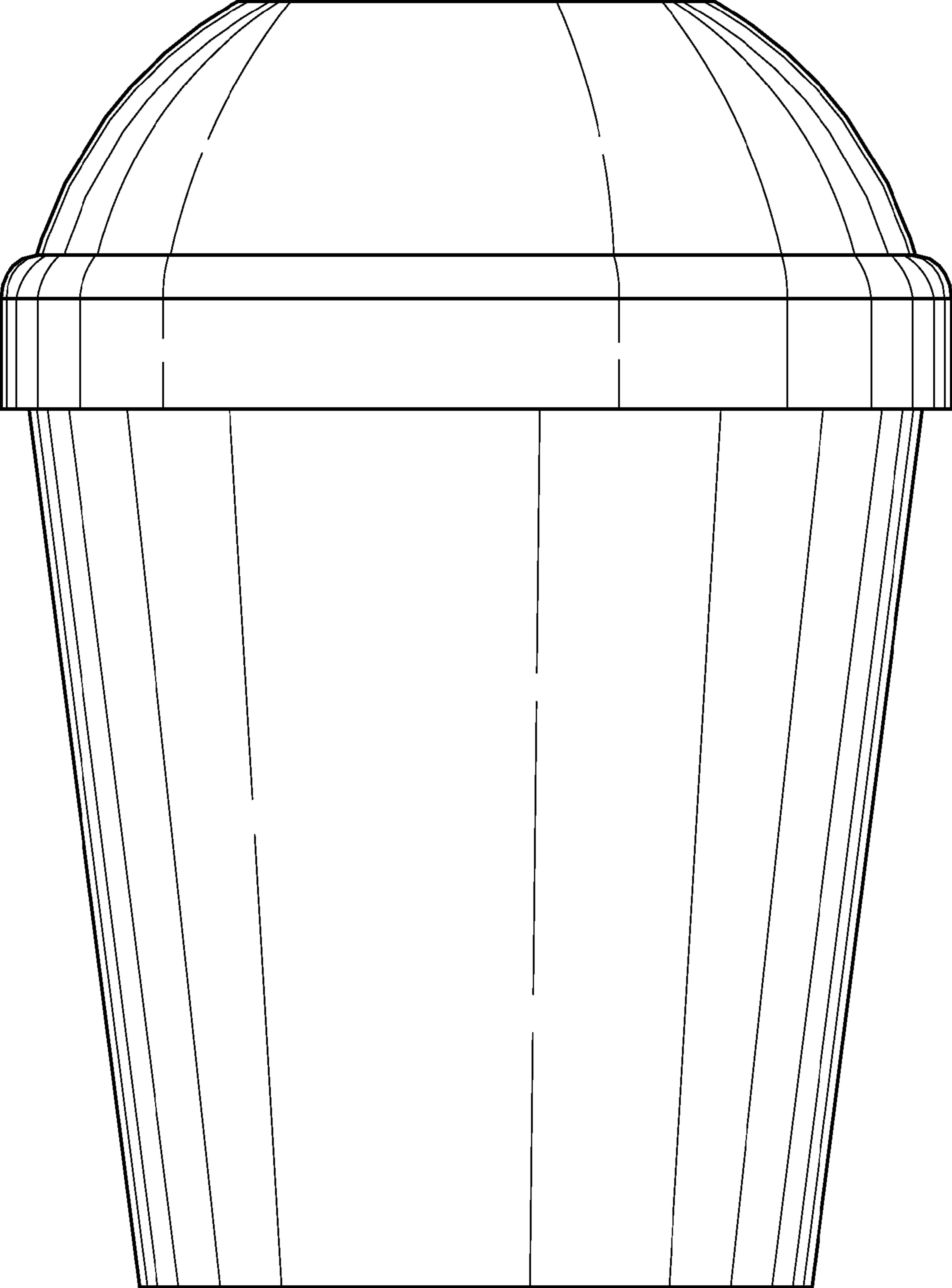


Fig. 2

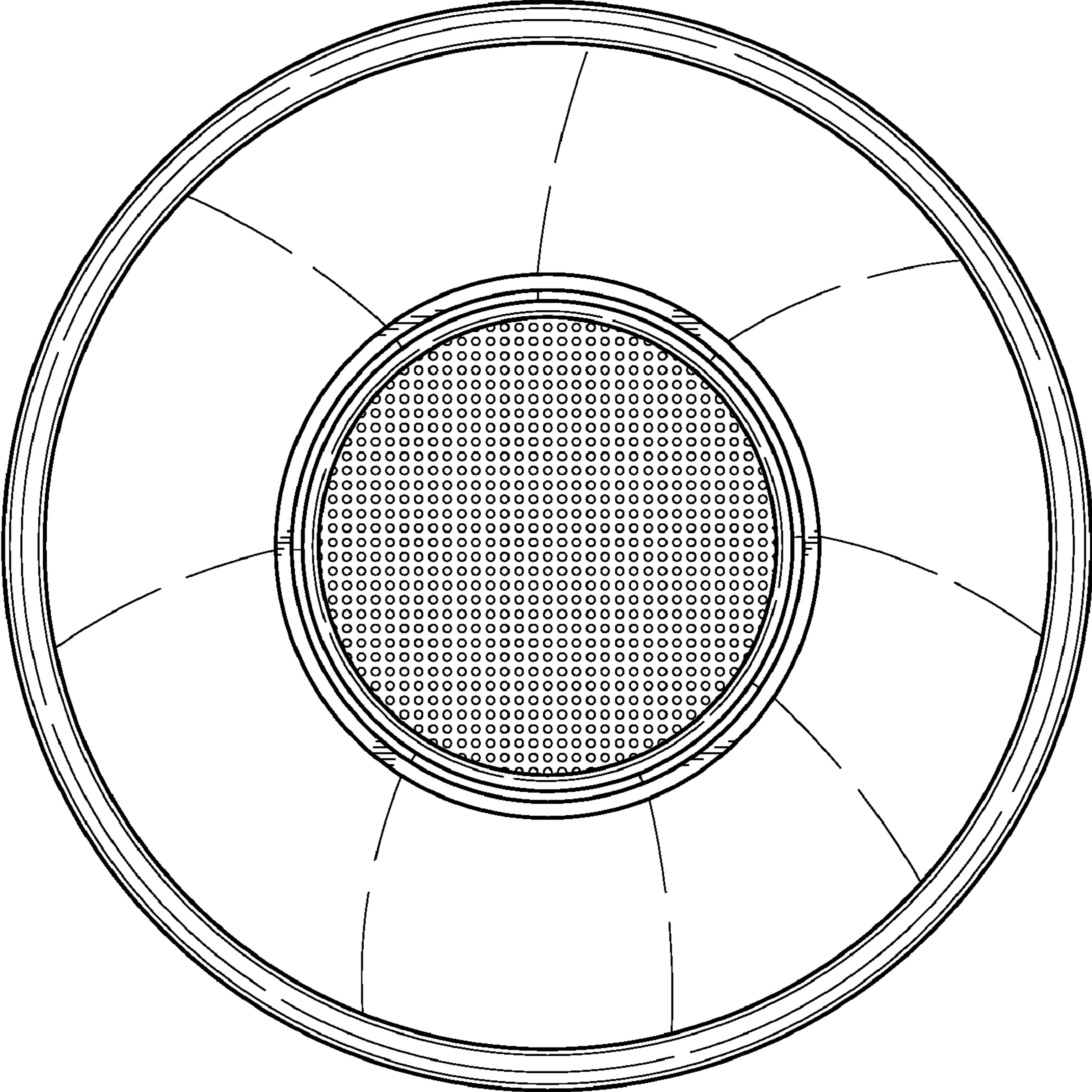


Fig. 3

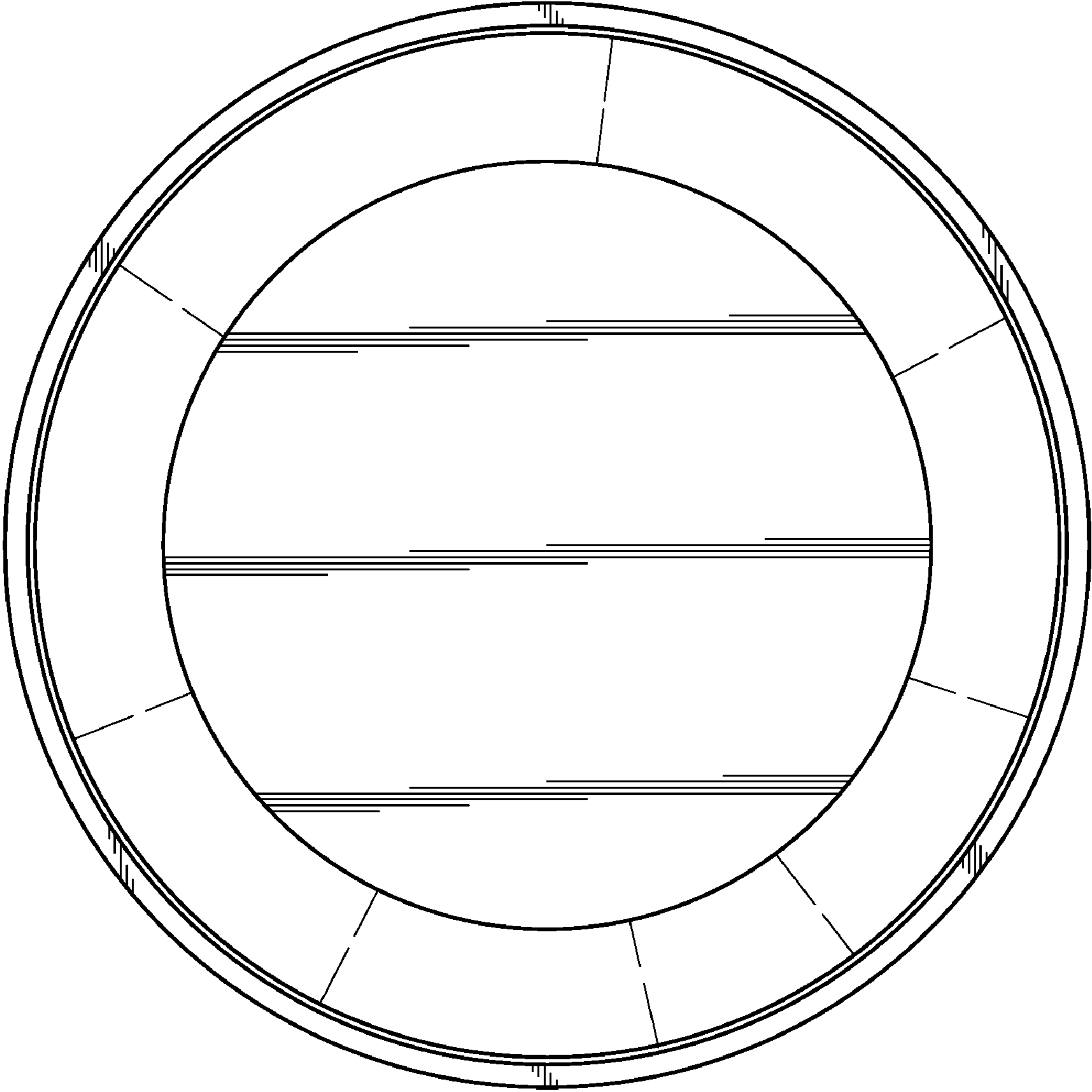


Fig. 4