



US00D640031S

(12) **United States Design Patent**  
**Kretschmer**

(10) **Patent No.:** **US D640,031 S**

(45) **Date of Patent:** **\*\* Jun. 14, 2011**

(54) **LIFT TRUCK**

(75) Inventor: **Steffen Kretschmer**, Cenon sur Vienne (FR)

(73) Assignee: **Linde Material Handling GmbH** (DE)

(\*\*) Term: **14 Years**

(21) Appl. No.: **29/367,353**

(22) Filed: **Aug. 6, 2010**

(30) **Foreign Application Priority Data**

Feb. 9, 2010 (EP) ..... 001667361-0001

(51) **LOC (9) Cl.** ..... **12-05**

(52) **U.S. Cl.** ..... **D34/34**

(58) **Field of Classification Search** ..... D34/34,  
D34/35; 280/43.12; 180/89.12, 299, 325;  
187/22, 224

See application file for complete search history.

(56) **References Cited**

**U.S. PATENT DOCUMENTS**

D239,165 S *	3/1976	Mono	.....	D34/34
D343,935 S *	2/1994	Drobeck et al.	.....	D34/35
D364,029 S *	11/1995	Noonan et al.	.....	D34/35
D374,534 S *	10/1996	Munde et al.	.....	D34/35
D384,478 S *	9/1997	Prehn et al.	.....	D34/35
D386,876 S *	11/1997	Niebuhr	.....	D34/34

D401,716 S *	11/1998	Marcel	.....	D34/34
D416,369 S *	11/1999	Johansson	.....	D34/28
D419,741 S *	1/2000	Johansson	.....	D34/28
6,125,971 A *	10/2000	Niebuhr et al.	.....	187/231
D563,074 S *	2/2008	Standke	.....	D34/35
D593,274 S *	5/2009	Knie et al.	.....	D34/35
D600,425 S *	9/2009	Smiley et al.	.....	D34/35
D601,324 S *	9/2009	Knie et al.	.....	D34/34
D609,424 S *	2/2010	Knie et al.	.....	D34/34
2006/0232030 A1 *	10/2006	Passeri	.....	280/43.12

\* cited by examiner

*Primary Examiner* — Cynthia E Ramirez

(74) *Attorney, Agent, or Firm* — The Webb Law Firm

(57) **CLAIM**

The ornamental design for a lift truck, as shown and described.

**DESCRIPTION**

FIG. 1 is a front perspective view of a lift truck showing my new design;

FIG. 2 is rear perspective view thereof;

FIG. 3 is a front view thereof;

FIG. 4 is a rear view thereof;

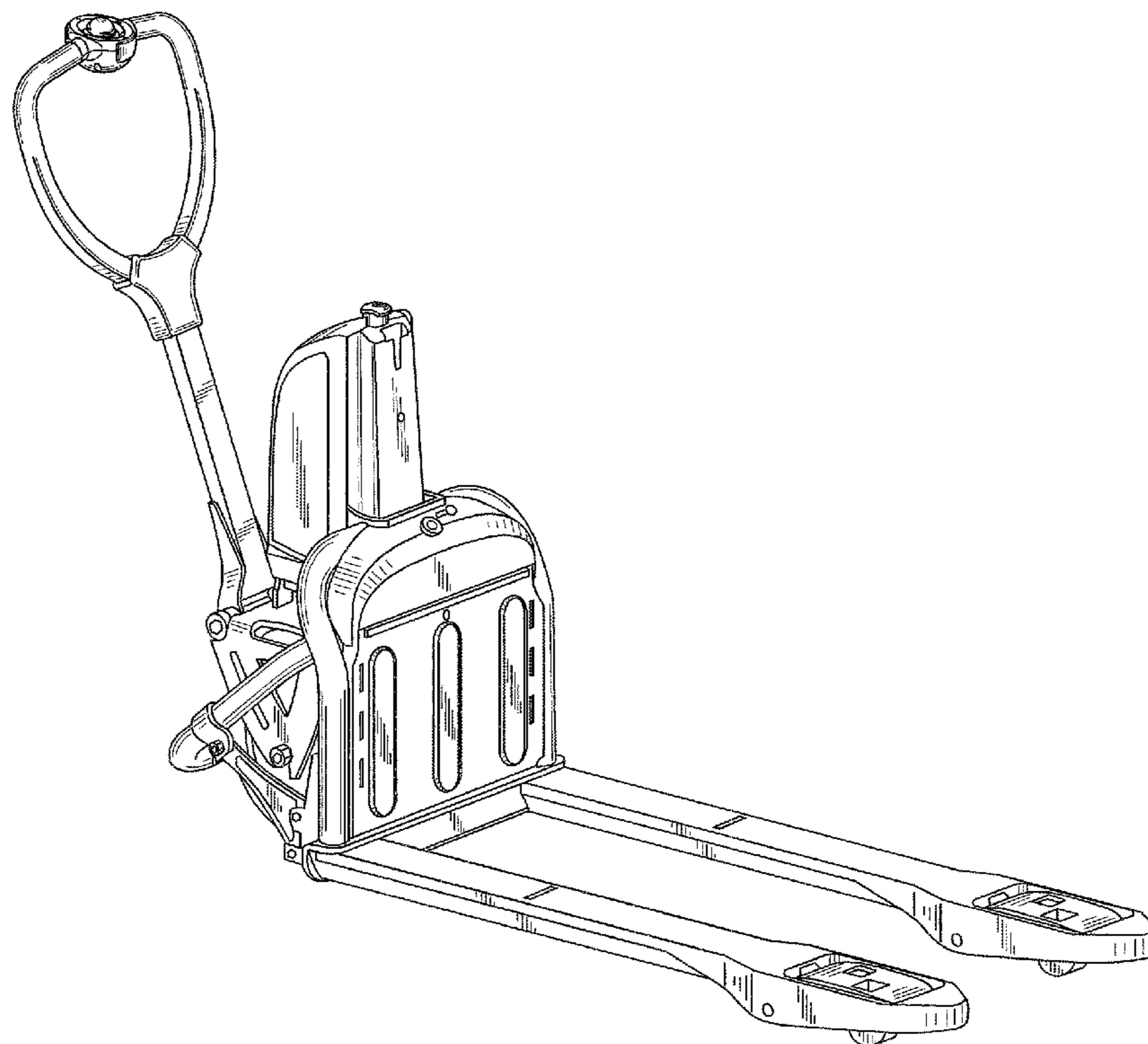
FIG. 5 is a right side view thereof;

FIG. 6 is a left side view thereof; and,

FIG. 7 is top view thereof.

The bottom of the lift truck, which is not shown in the drawings, is non-ornamental and forms no part of the claimed design.

**1 Claim, 7 Drawing Sheets**



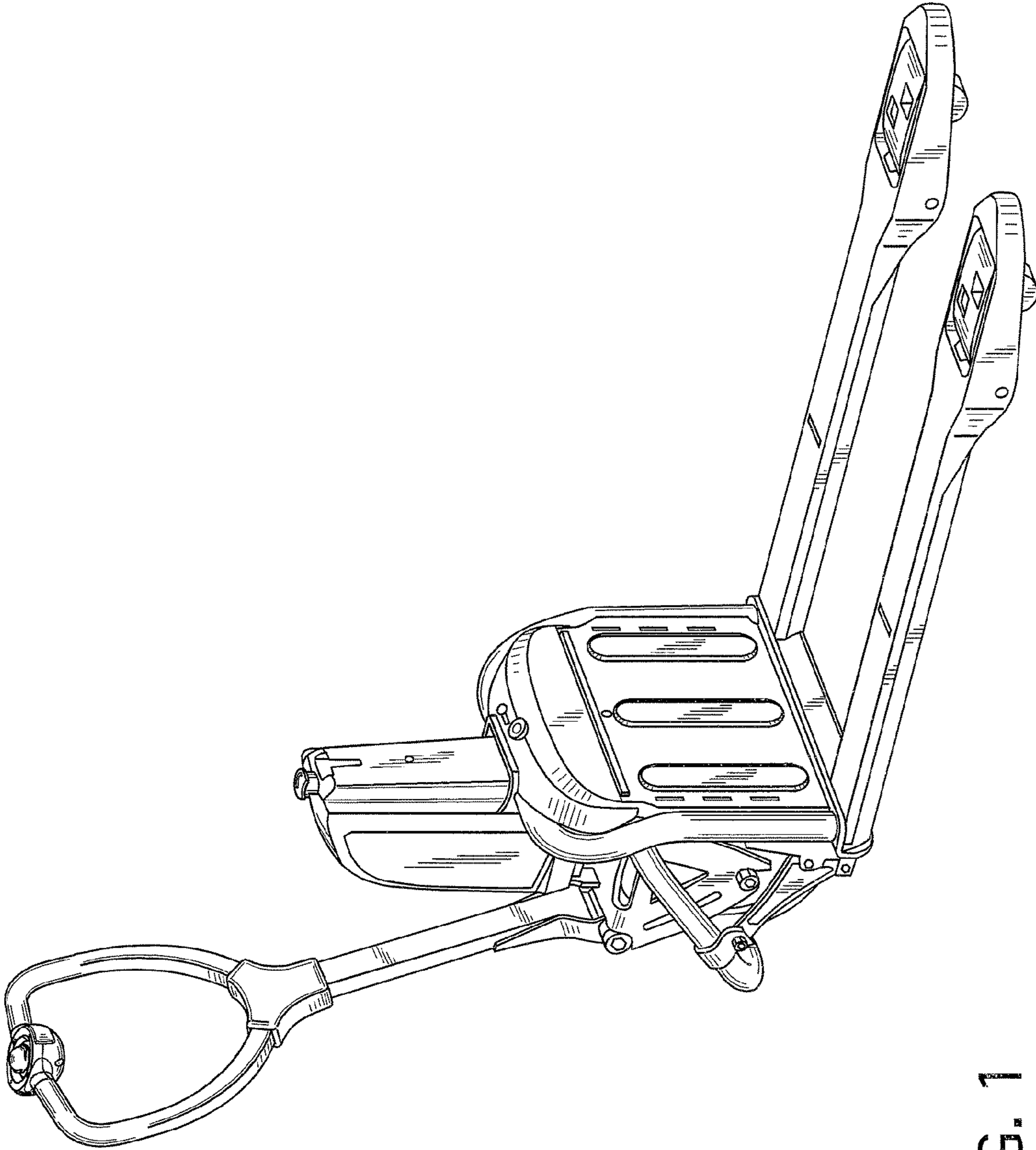


FIG. 1

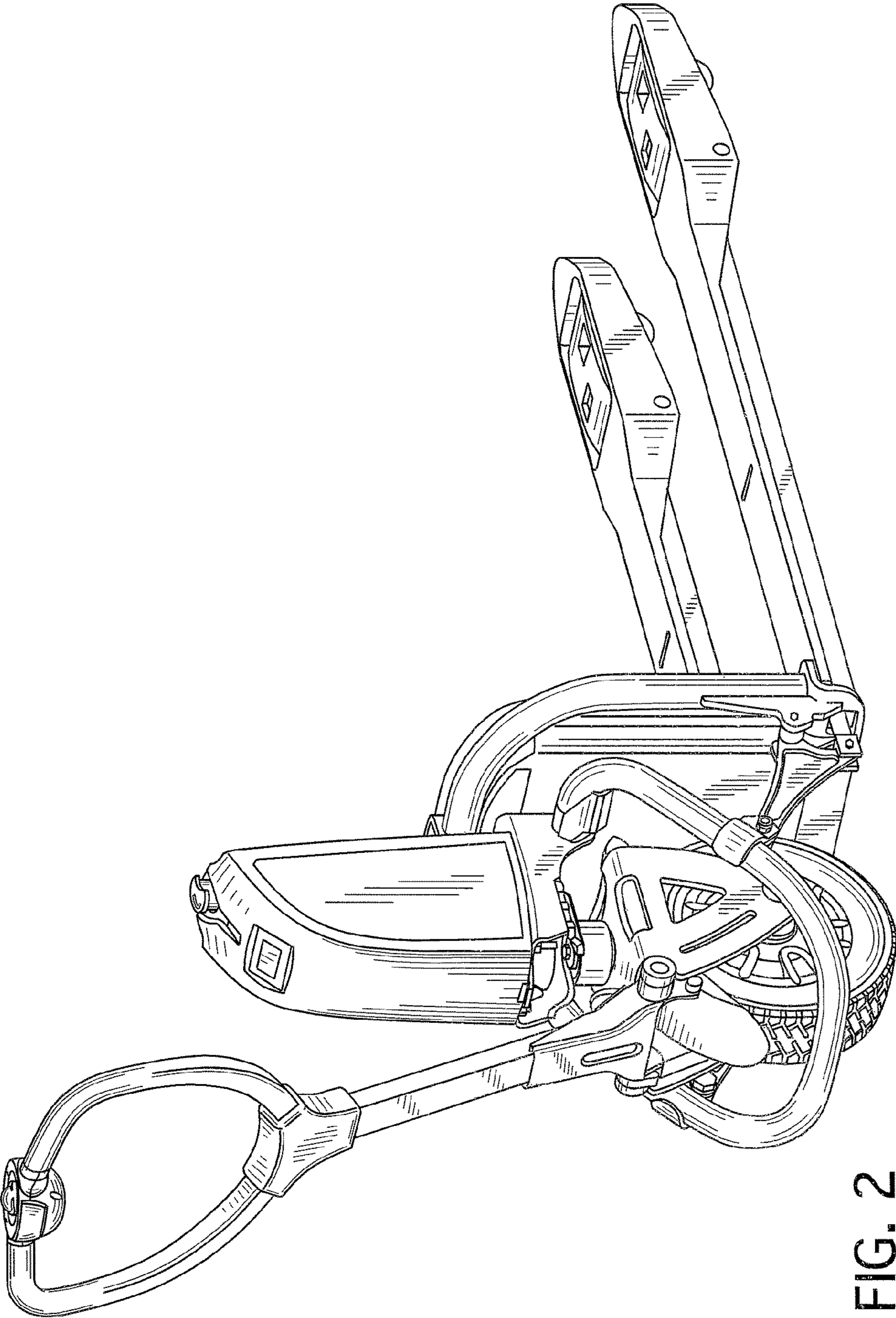


FIG. 2

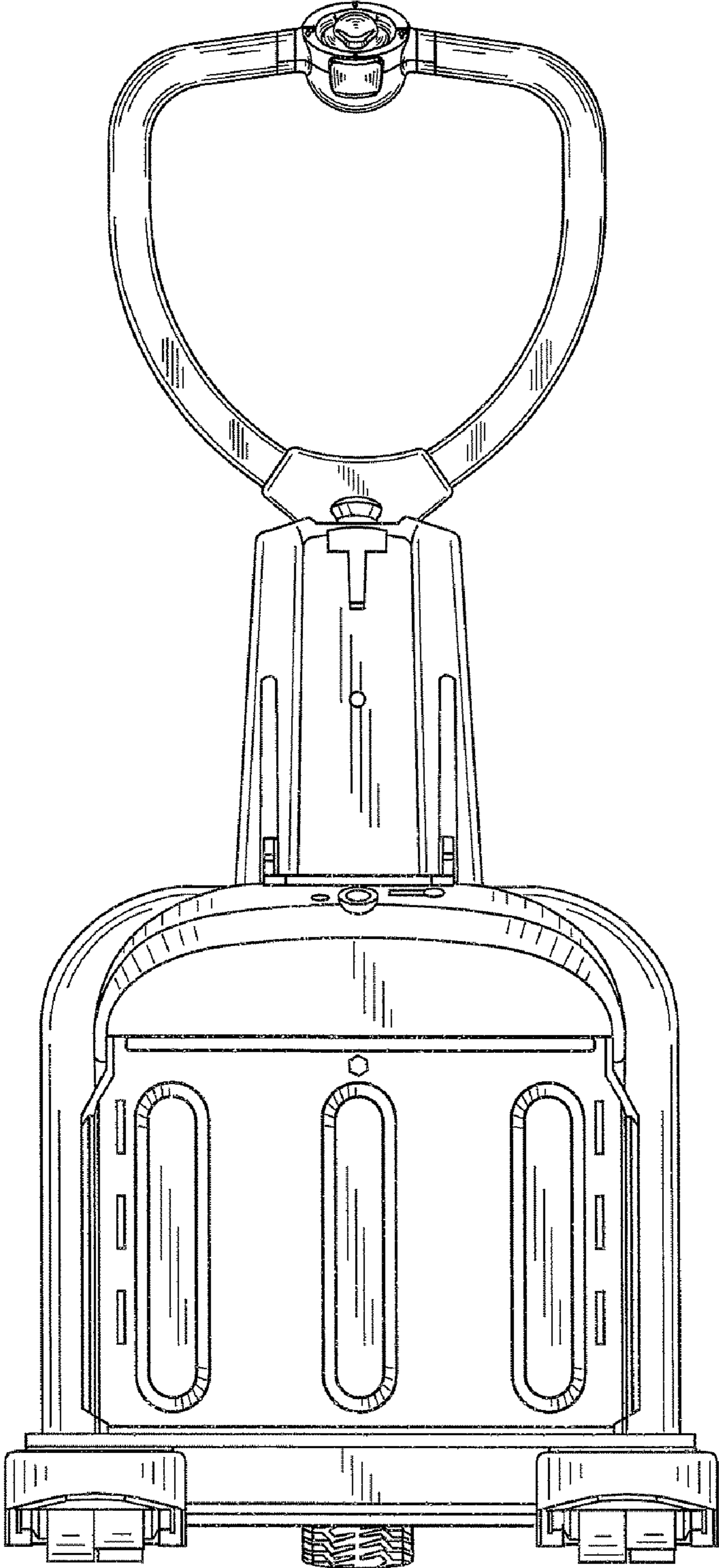


FIG. 3

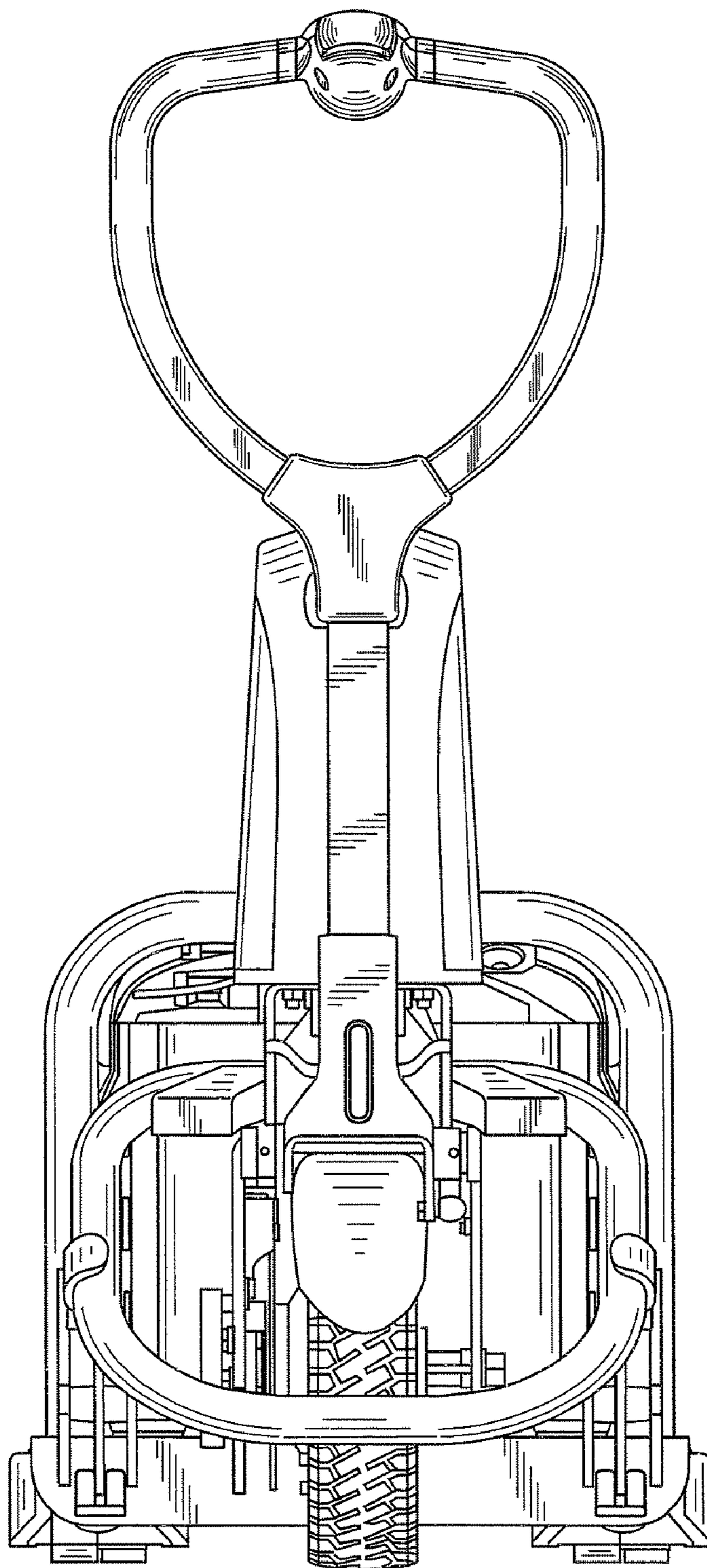


FIG. 4

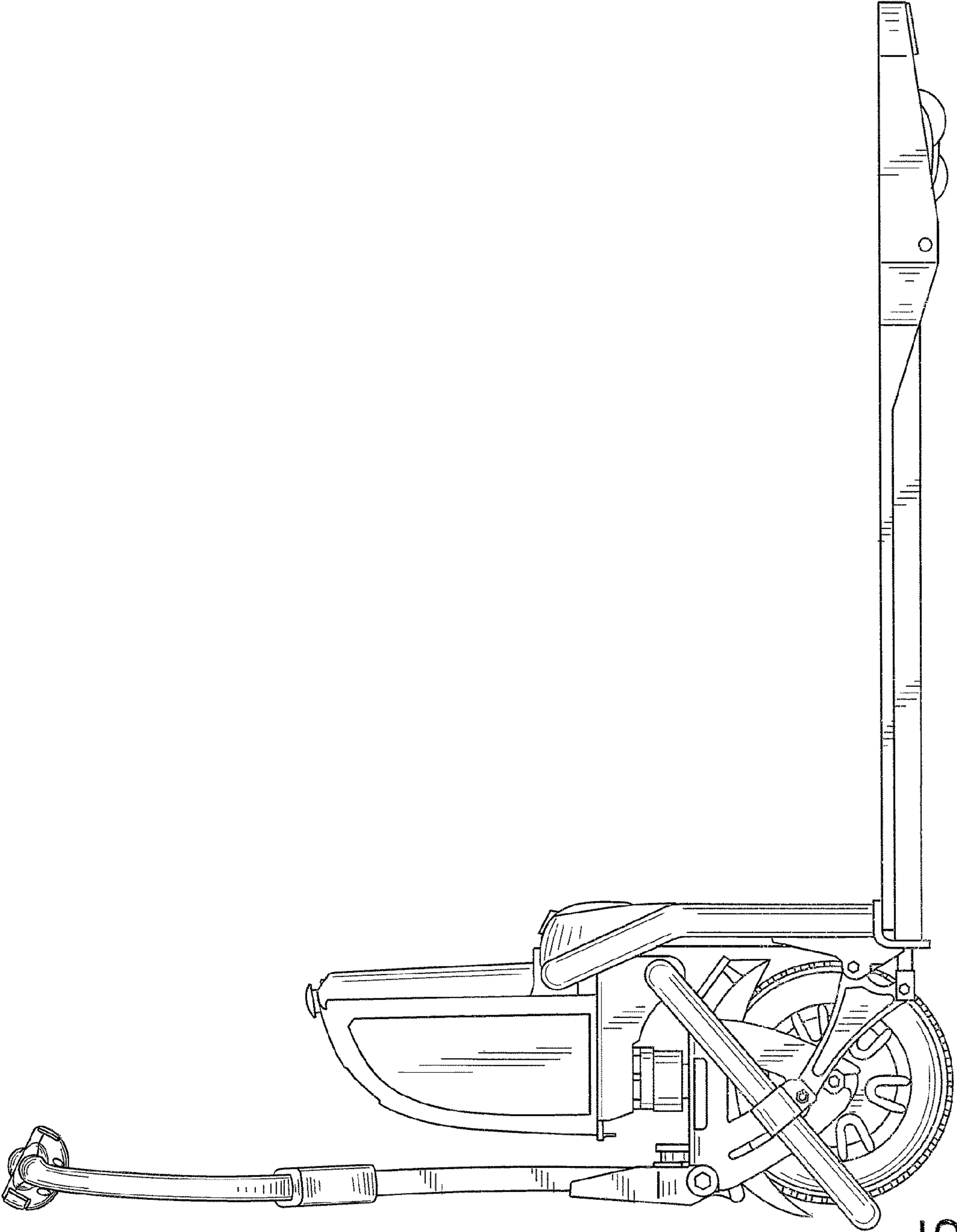


FIG. 5

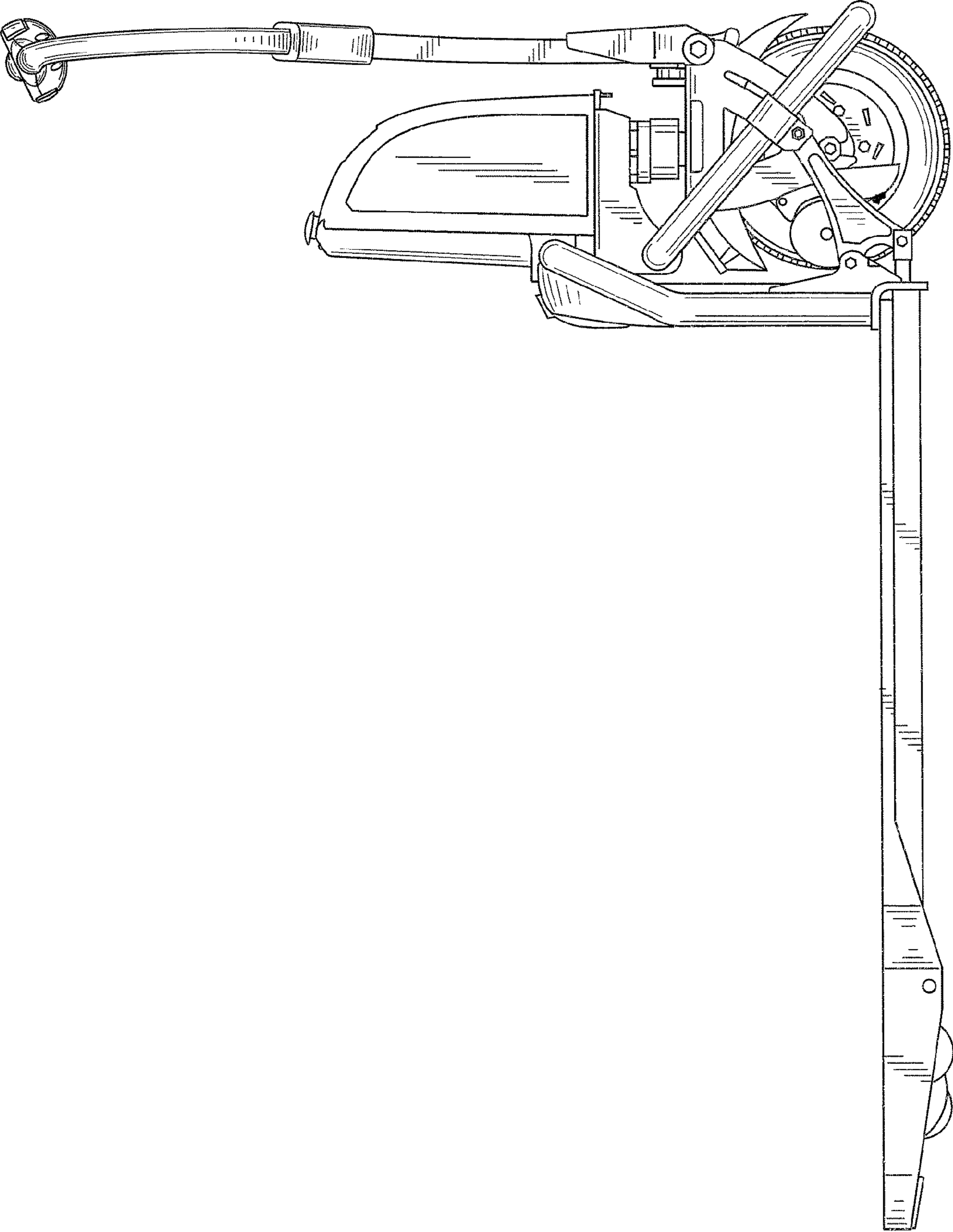


FIG. 6

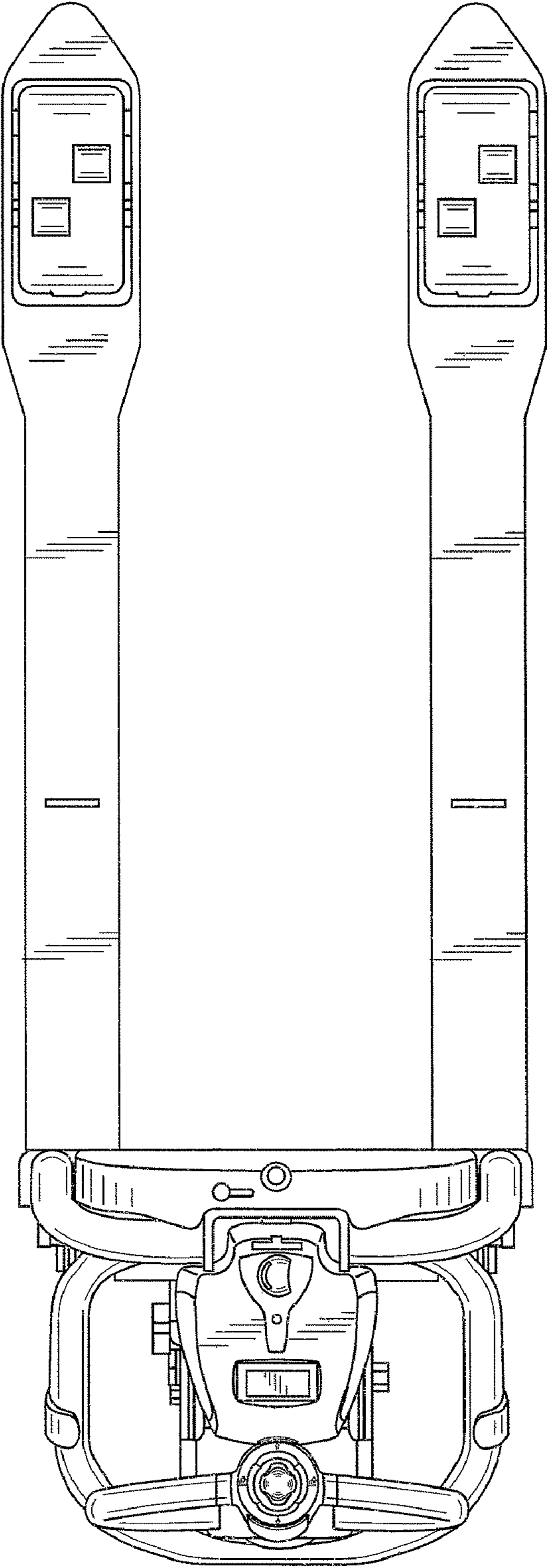


FIG. 7