



US00D640029S

(12) **United States Design Patent**  
**Barnes et al.**

(10) **Patent No.:** **US D640,029 S**  
(45) **Date of Patent:** **\*\* Jun. 14, 2011**

(54) **ARTICLE TRANSPORT VEHICLE**  
(76) Inventors: **Arthur Wayne Barnes**, Otis Orchards, WA (US); **Vance Vernon Kinchen**, Post Falls, OH (US); **Todd Earl Gregg**, Spokane, WA (US); **Rodney Goolsbey**, Spokane, WA (US)

(\*\*) **Term:** **14 Years**

(21) **Appl. No.:** **29/364,549**

(22) **Filed:** **Jun. 24, 2010**  
(Under 37 CFR 1.47)

(51) **LOC (9) Cl.** ..... **12-02**

(52) **U.S. Cl.** ..... **D34/18; D34/21**

(58) **Field of Classification Search** ..... D34/12-27;  
280/47.26, 47.27, 79.5, 79.6, 79.7, 47.24,  
280/651, 652; D23/205; 248/129; D6/462

See application file for complete search history.

(56) **References Cited**

**U.S. PATENT DOCUMENTS**

D174,418	S *	4/1955	Ewing et al.	.....	D34/24
5,351,983	A *	10/1994	Descalo	.....	280/646
5,393,080	A	2/1995	Ross		
5,431,422	A *	7/1995	Gamache	.....	280/47.19
5,464,234	A	11/1995	Ferguson		
D367,346	S *	2/1996	Young	.....	D34/15
D392,081	S *	3/1998	Salvucci, Sr.	.....	D34/27
5,772,193	A	6/1998	Dykstra		
5,873,500	A	2/1999	Homburg et al.		
5,904,349	A	5/1999	Dykstra		
D424,770	S *	5/2000	Watkins et al.	.....	D34/12
6,116,623	A *	9/2000	Salvucci	.....	280/47.26
6,119,475	A	9/2000	Murray et al.		

D473,989	S	4/2003	Hittle		
D473,990	S	4/2003	Hittle		
6,863,198	B1	3/2005	Darby		
D523,608	S *	6/2006	Brubacher et al.	.....	D34/24
7,273,216	B1	9/2007	Hohrman		
7,384,050	B2	6/2008	Blum et al.		
7,438,084	B2	10/2008	Trettin et al.		
7,478,704	B2	1/2009	Church		
7,628,407	B1 *	12/2009	Krowl	.....	280/47.26
D612,562	S *	3/2010	Henderson	.....	D34/24
D632,041	S *	2/2011	Hittle et al.	.....	D34/18
D632,042	S *	2/2011	Hittle et al.	.....	D34/18
2004/0245736	A1 *	12/2004	Intravatola	.....	280/79.6

\* cited by examiner

*Primary Examiner* — Cynthia E Ramirez

(74) *Attorney, Agent, or Firm* — Wells St. John PS

(57) **CLAIM**

I claim the ornamental design for an article transport vehicle, as shown and described.

**DESCRIPTION**

FIG. 1 is a front perspective view for an article transport vehicle;

FIG. 2 is a front elevational view thereof;

FIG. 3 is a rear elevational view thereof;

FIG. 4 is a side elevational view thereof;

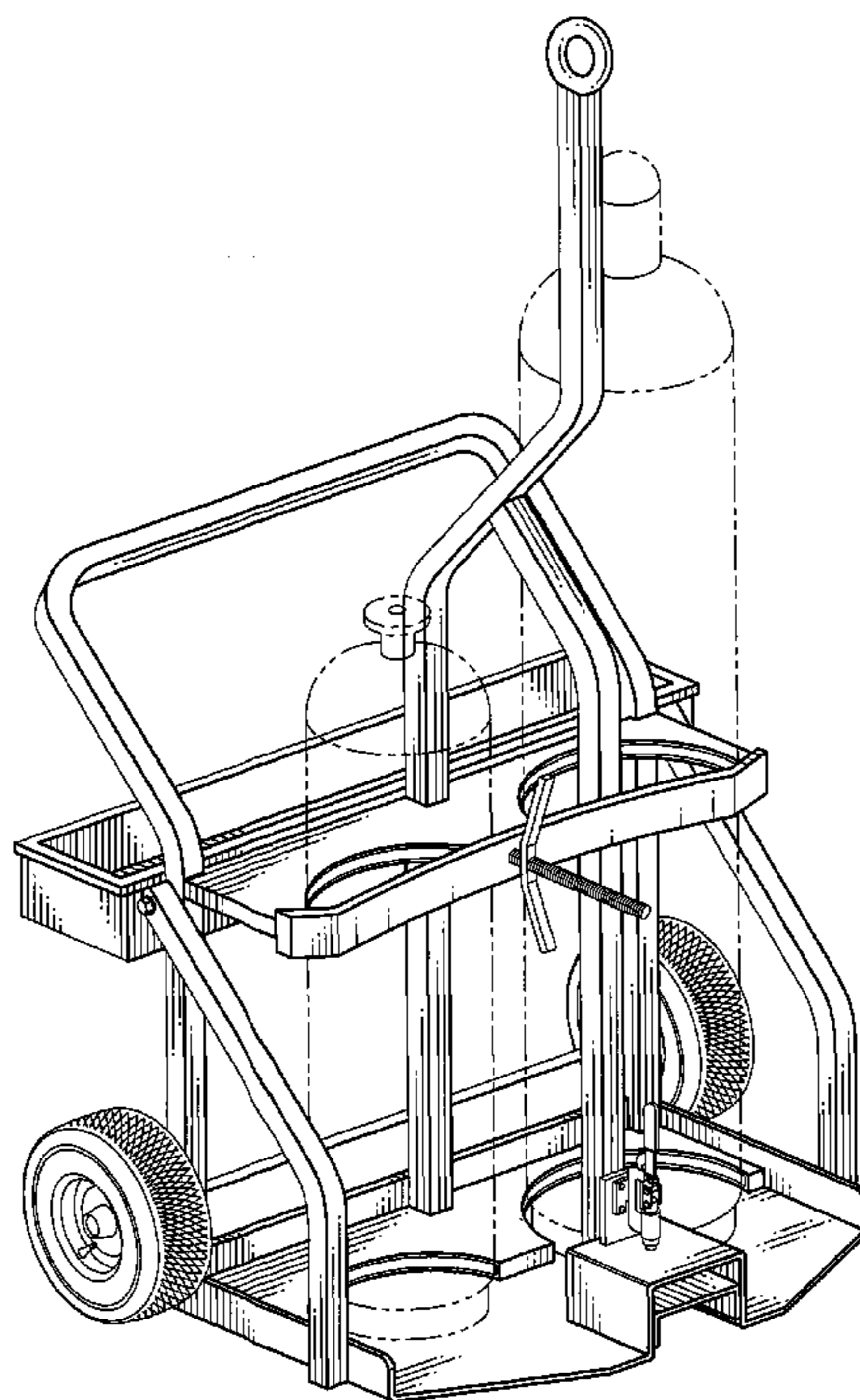
FIG. 5 is a side elevational view, opposite the FIG. 4 side view, thereof;

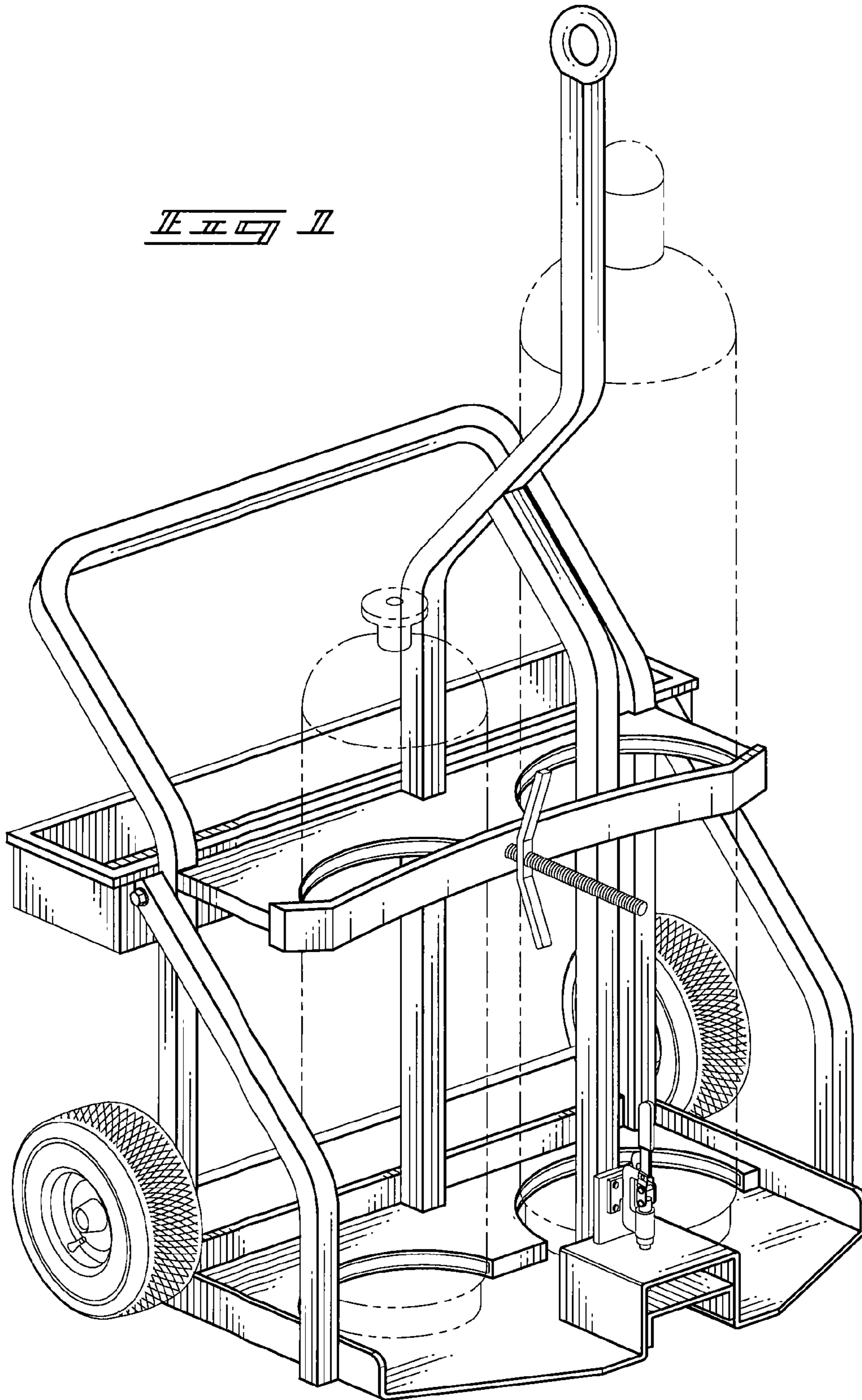
FIG. 6 is a top plan view thereof; and,

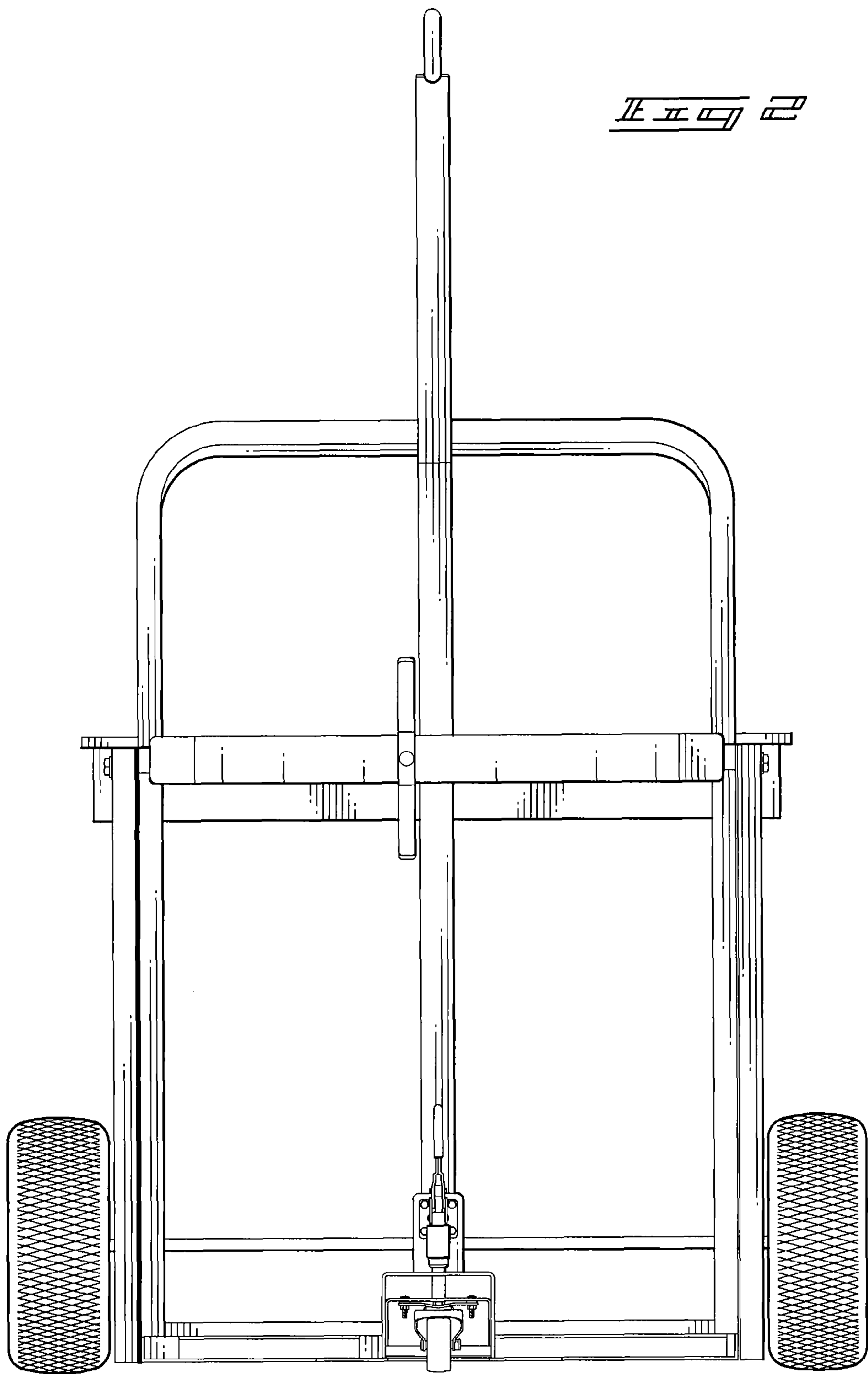
FIG. 7 is a bottom plan view thereof.

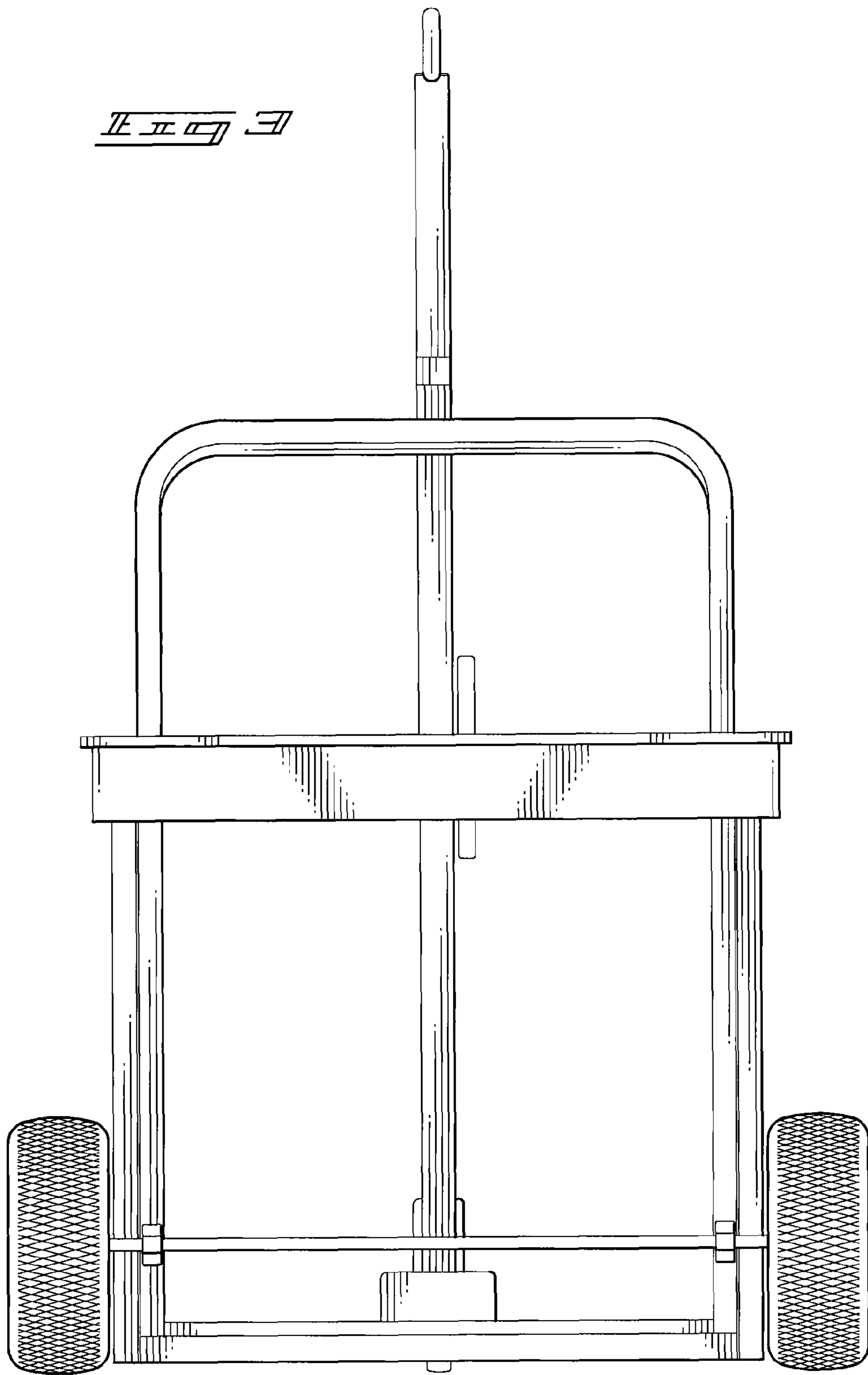
The broken line showing of tanks in FIG. 1 is included for the purpose of illustrating environment and forms no part of the claimed design.

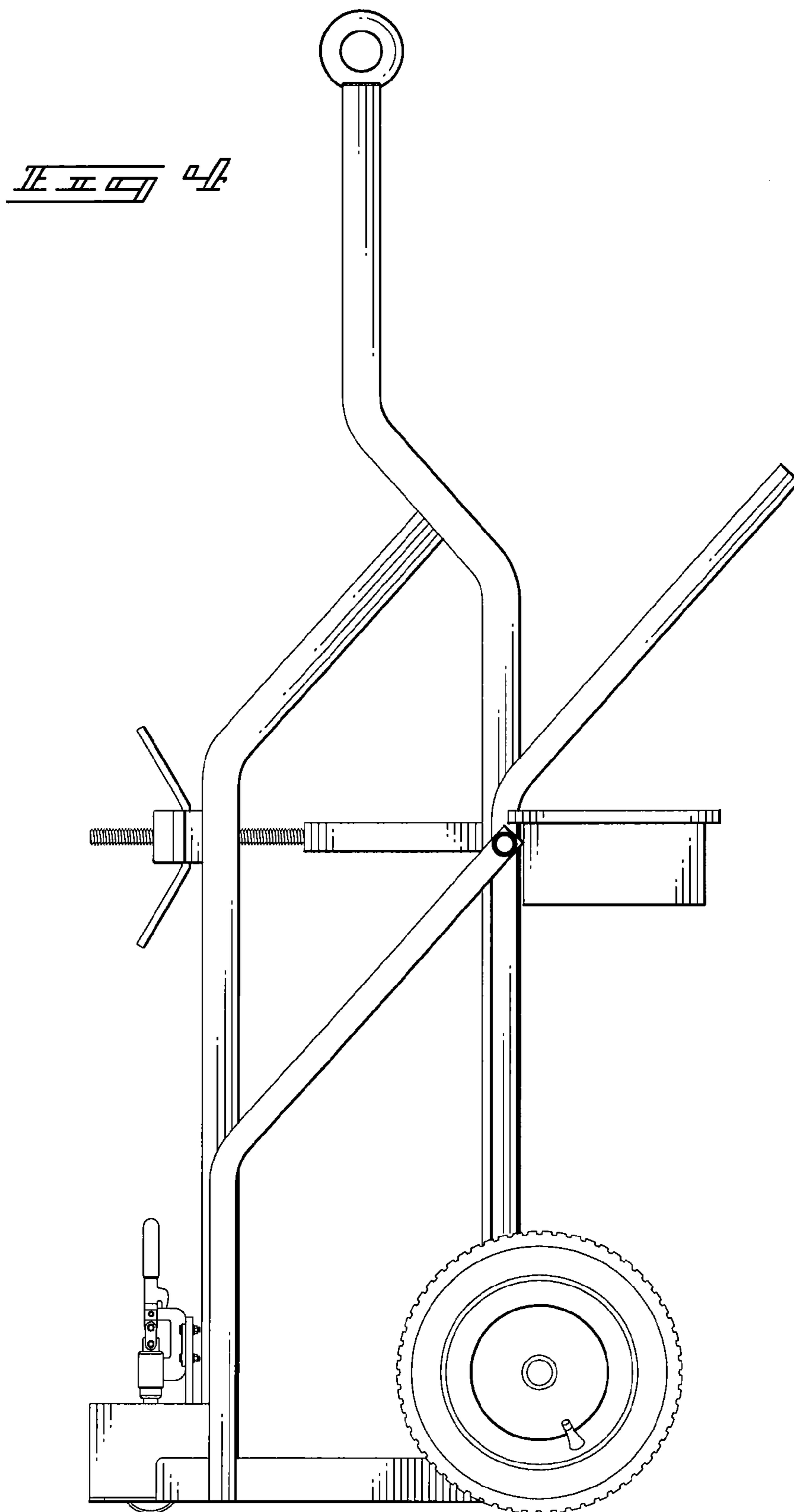
**1 Claim, 7 Drawing Sheets**

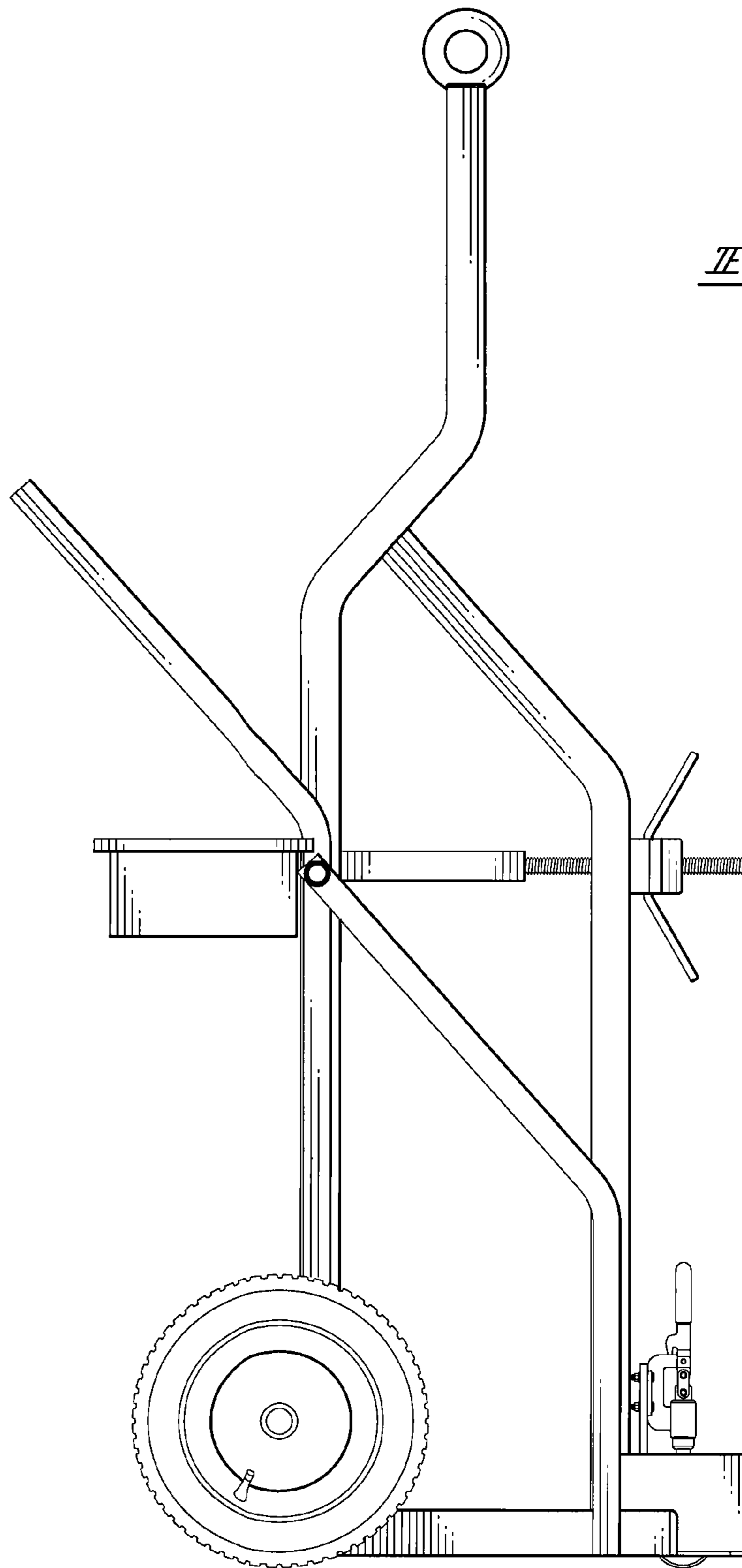




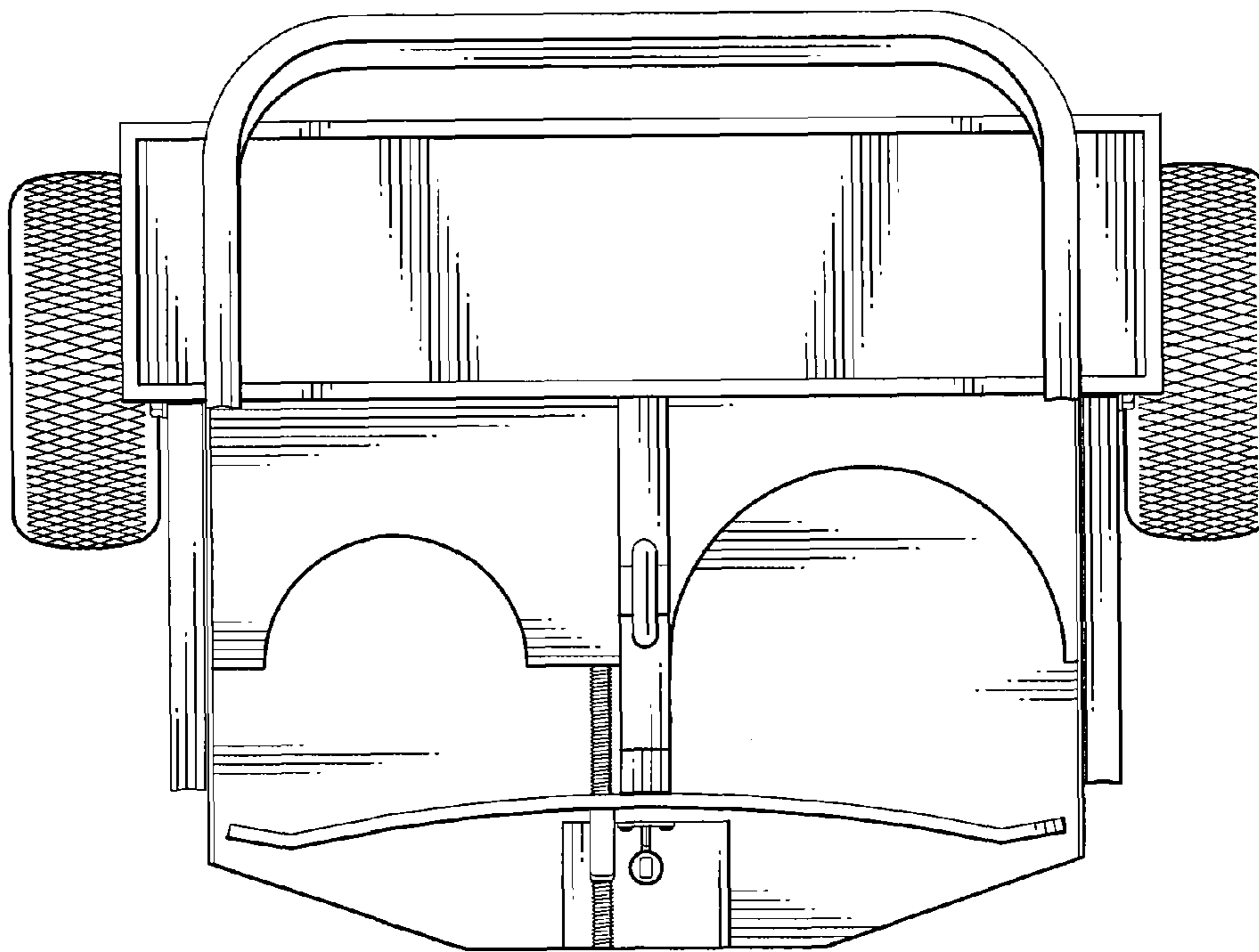








*FIG. 5*



正 五 四 六

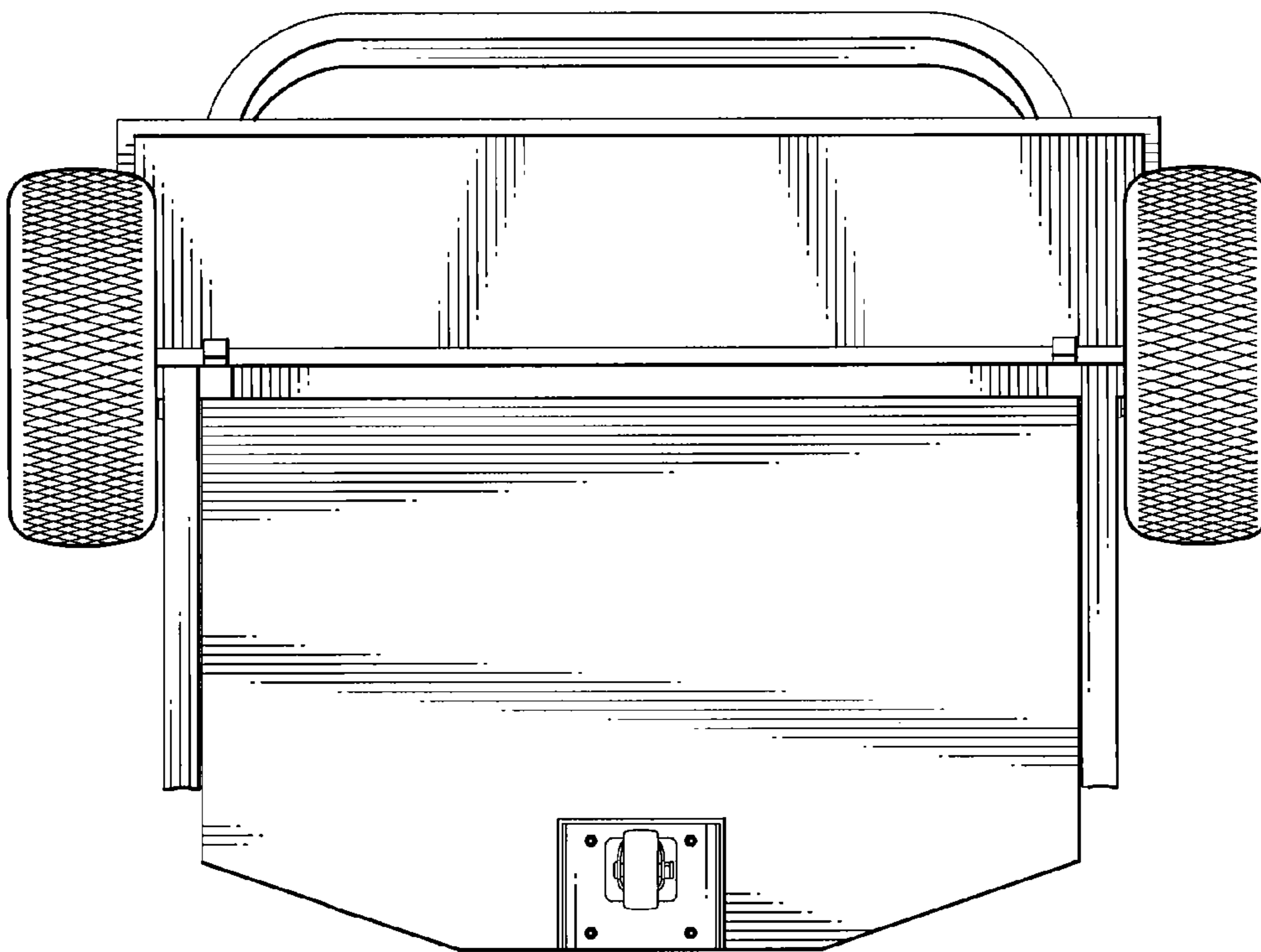


Figure 7