



US00D640028S

(12) **United States Design Patent**
Gardner

(10) **Patent No.:** **US D640,028 S**
(45) **Date of Patent:** **** Jun. 14, 2011**

(54) **THREE RECYCLING BIN HEX STATION**

(75) Inventor: **Scott R. Gardner**, Rockaway Township, NJ (US)

(73) Assignee: **Intercycle LLC**, Wayne, NJ (US)

(**) Term: **14 Years**

(21) Appl. No.: **29/378,390**

(22) Filed: **Nov. 3, 2010**

(51) **LOC (9) Cl.** **09-09**

(52) **U.S. Cl.** **D34/7**

(58) **Field of Classification Search** D34/1,
D34/4, 5, 6, 7, 8, 9, 10, 11; 220/908, 908.1,
220/909, 910, 911; 211/85.19

See application file for complete search history.

(56) **References Cited**

U.S. PATENT DOCUMENTS

2,780,402	A *	2/1957	Heiblim et al.	229/117.23
D328,168	S *	7/1992	Bartle	D34/7
D340,333	S *	10/1993	Duran et al.	D34/7
D558,947	S	1/2008	Gardner et al.		
D562,520	S	2/2008	Gardner et al.		
D571,970	S	6/2008	Gardner et al.		
D602,669	S	10/2009	Gardner et al.		
D603,118	S *	10/2009	Gollinucci	D34/7
D628,884	S *	12/2010	Smith	D9/430

OTHER PUBLICATIONS

Hexcycle Brochure, 2002.

* cited by examiner

Primary Examiner — Cynthia Ramirez

(74) *Attorney, Agent, or Firm* — Richard M. Goldberg

(57) **CLAIM**

The ornamental design for a three recycling bin hex station, as shown and described.

DESCRIPTION

FIG. 1 is an isometric view of the three recycling bin hex station of my design, viewed from the top and side, with the flaps in a closed configuration;

FIG. 2 is a front elevational view thereof;

FIG. 3 is a rear elevational view thereof;

FIG. 4 is a left side elevational view thereof;

FIG. 5 is a right side elevational view thereof;

FIG. 6 is a top plan view thereof;

FIG. 7 is a bottom plan view thereof;

FIG. 8 is an isometric view thereof, viewed from the top and side, with the flaps in an open configuration;

FIG. 9 is a front elevational view thereof with the flaps in an open configuration; and,

FIG. 10 is a rear elevational view thereof with the flaps in an open configuration.

1 Claim, 10 Drawing Sheets

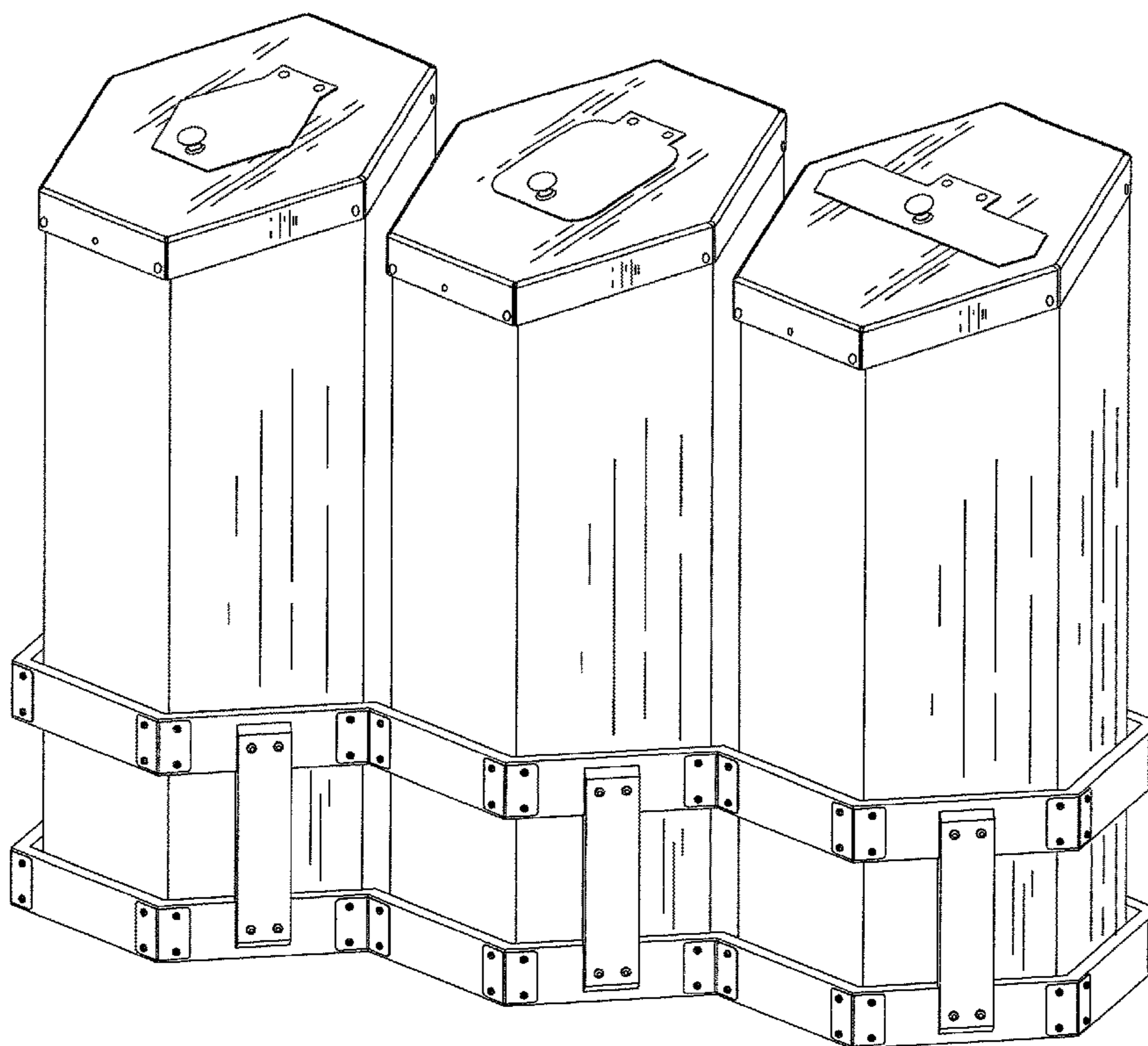


FIG. 1

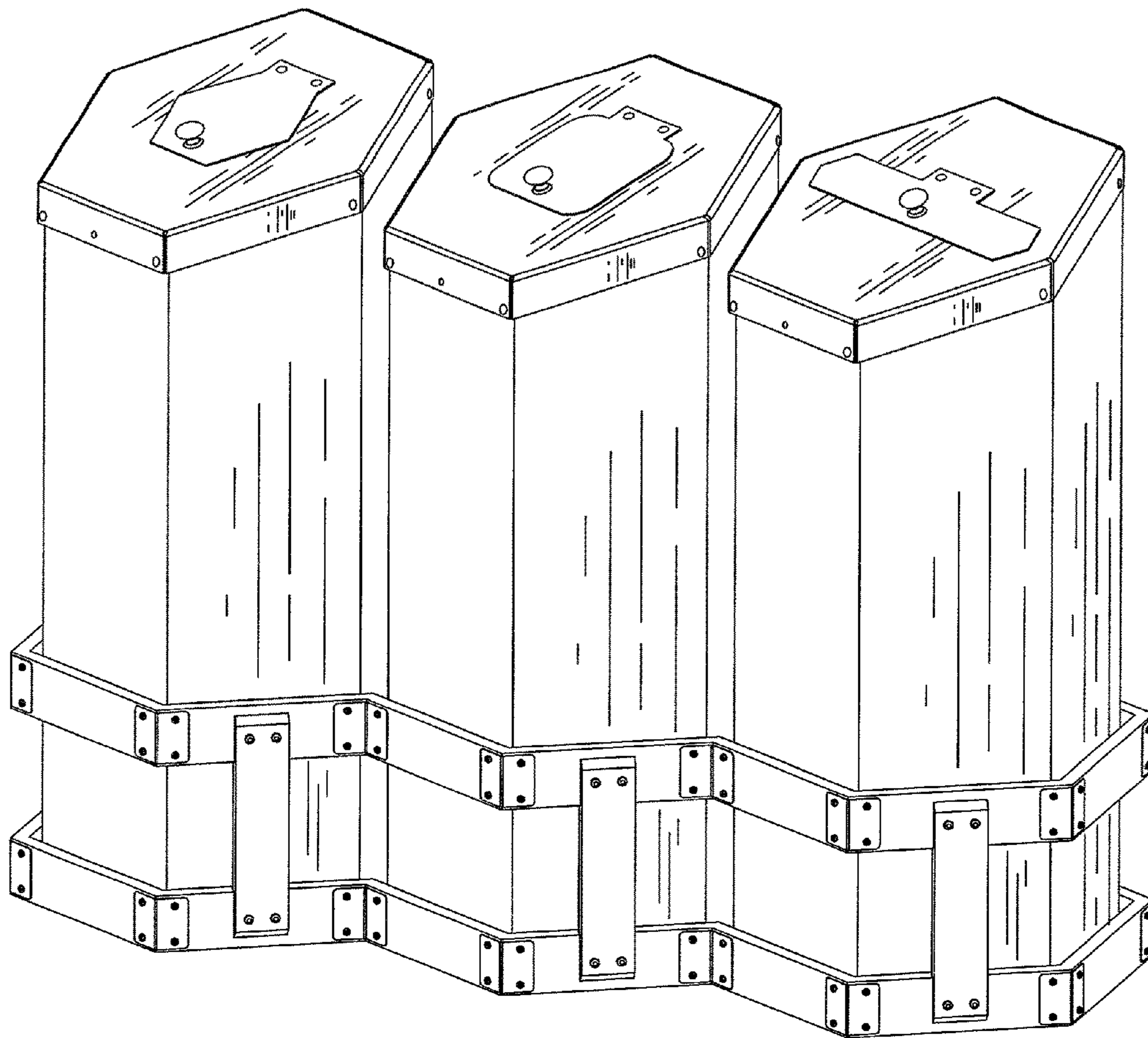


FIG.2

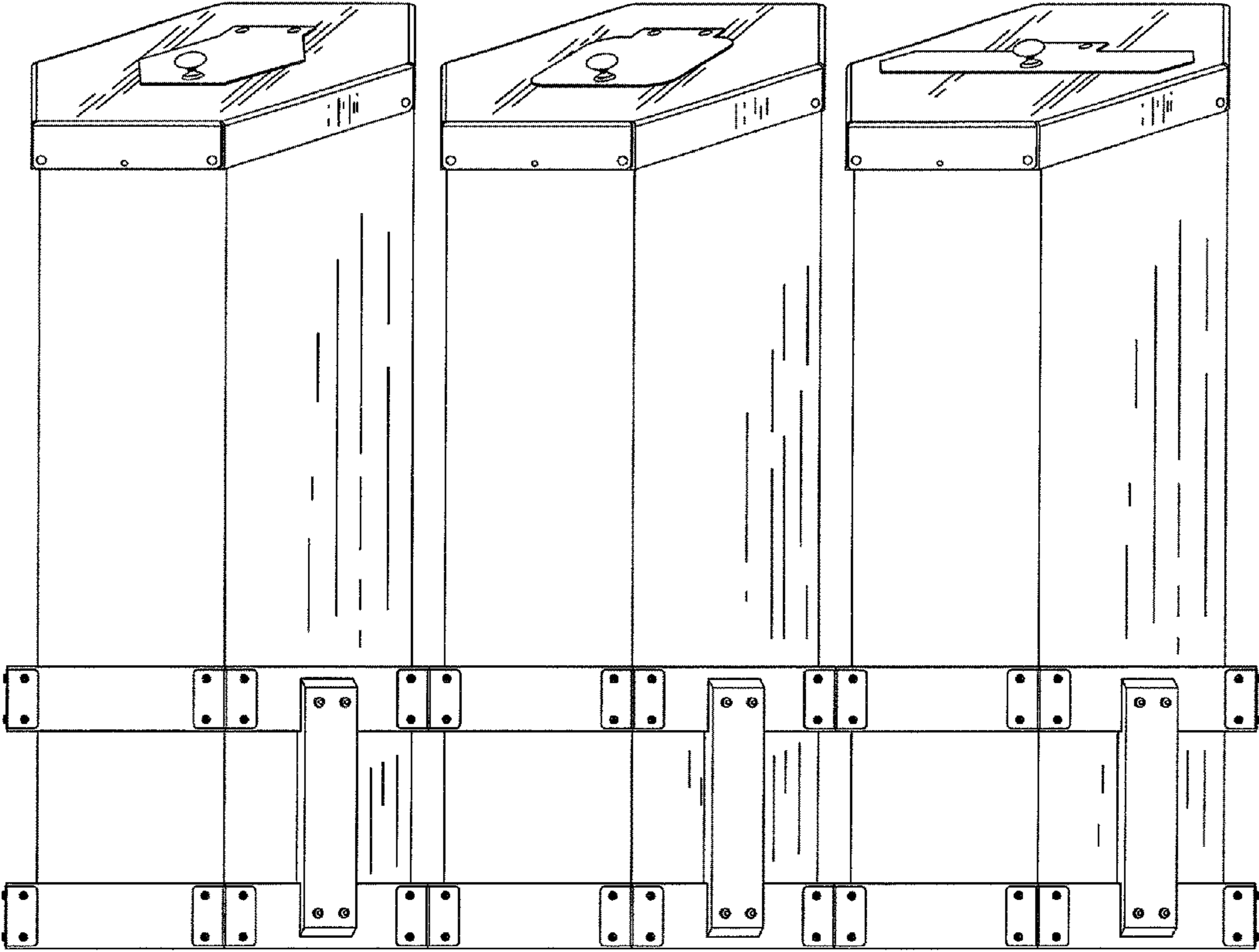


FIG.3

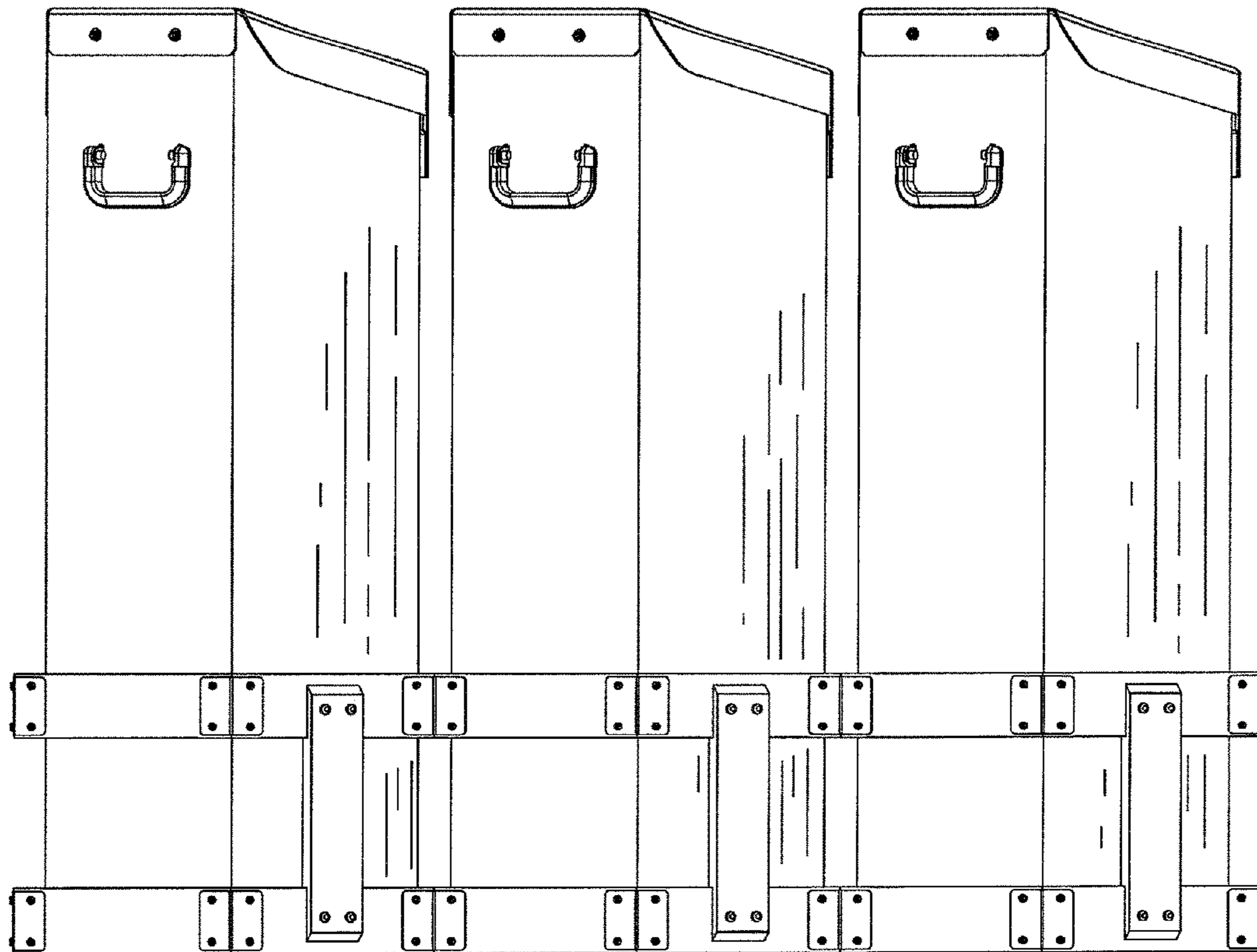


FIG.4

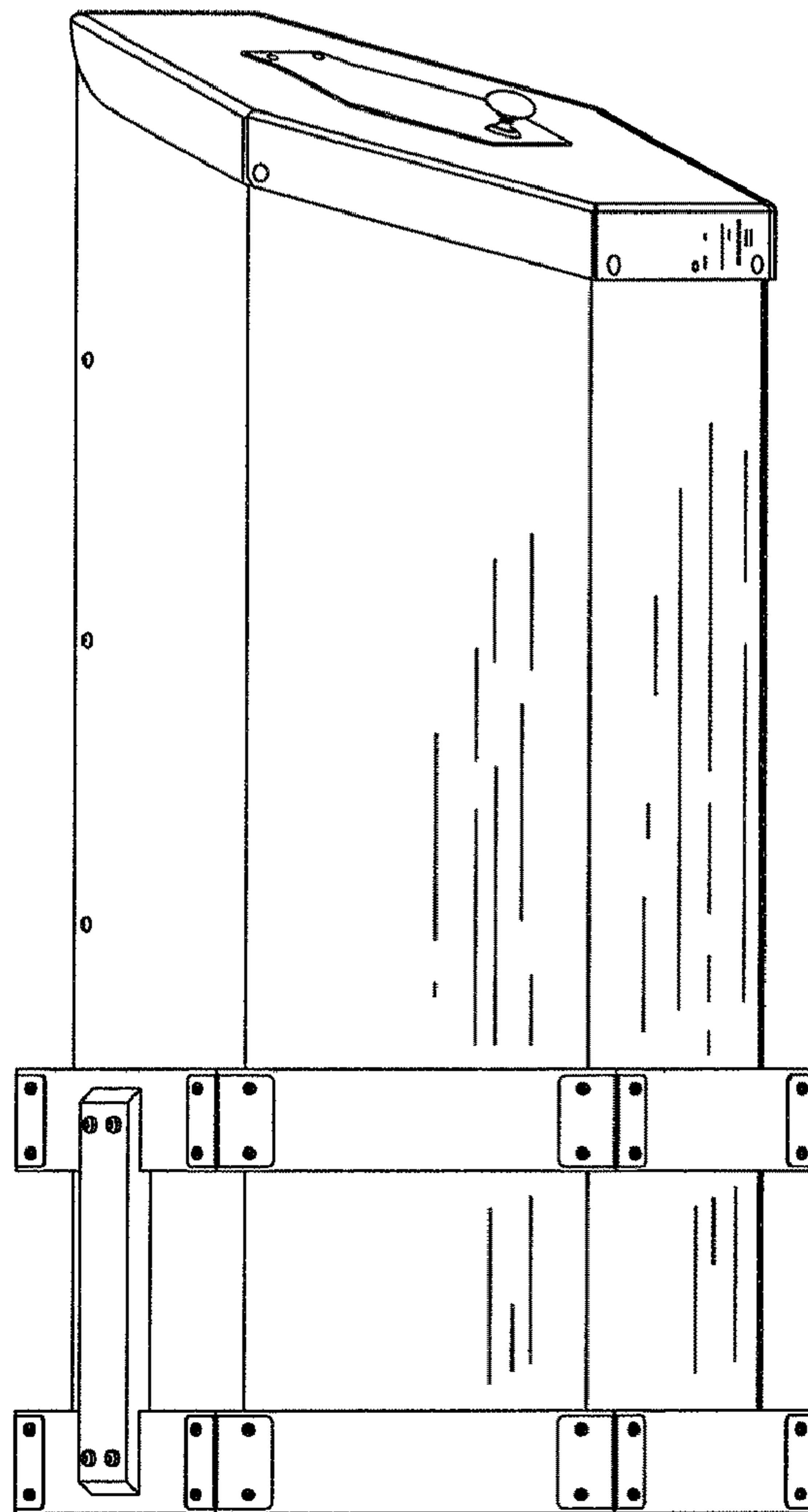


FIG.5

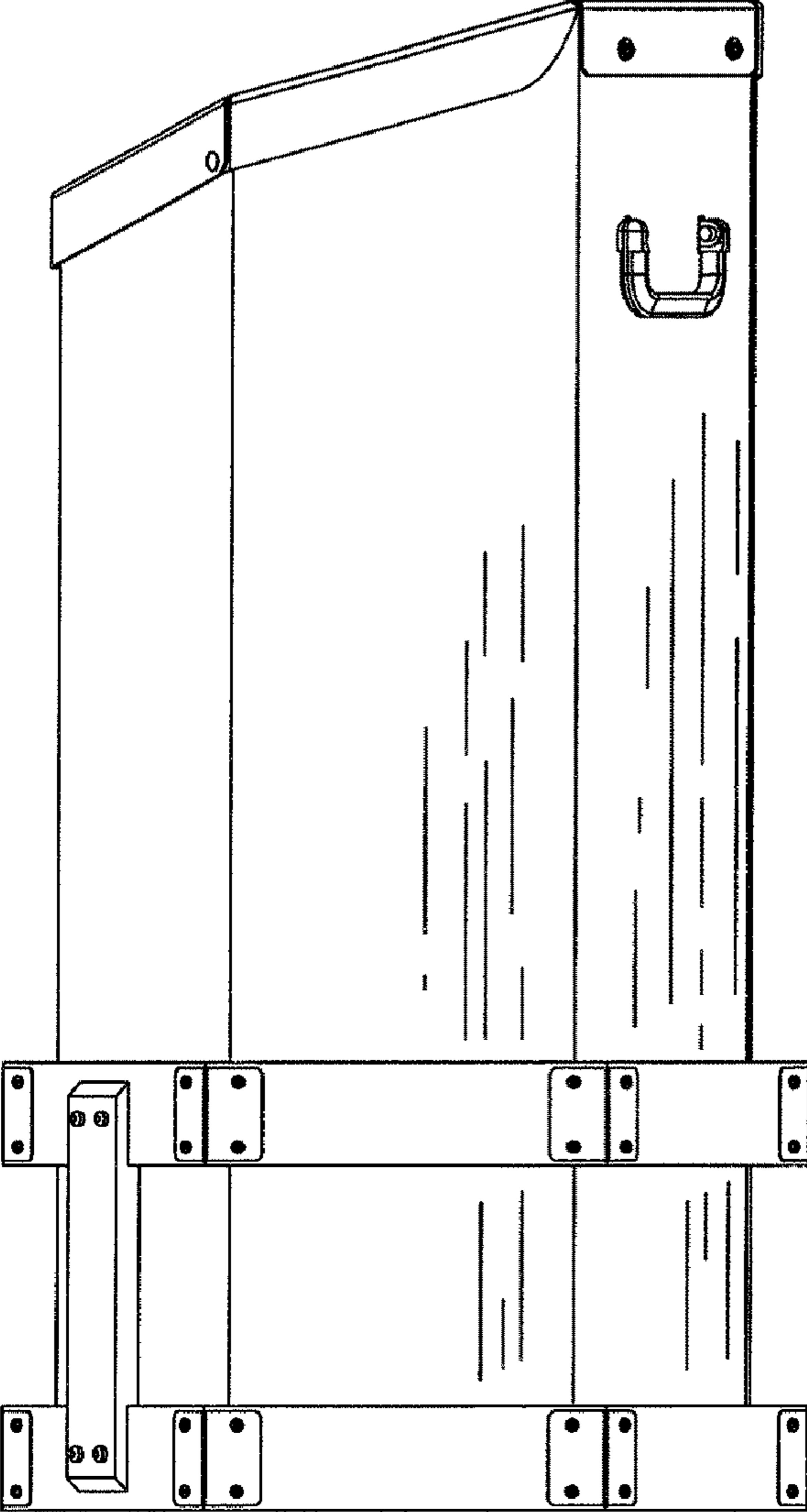


FIG.6

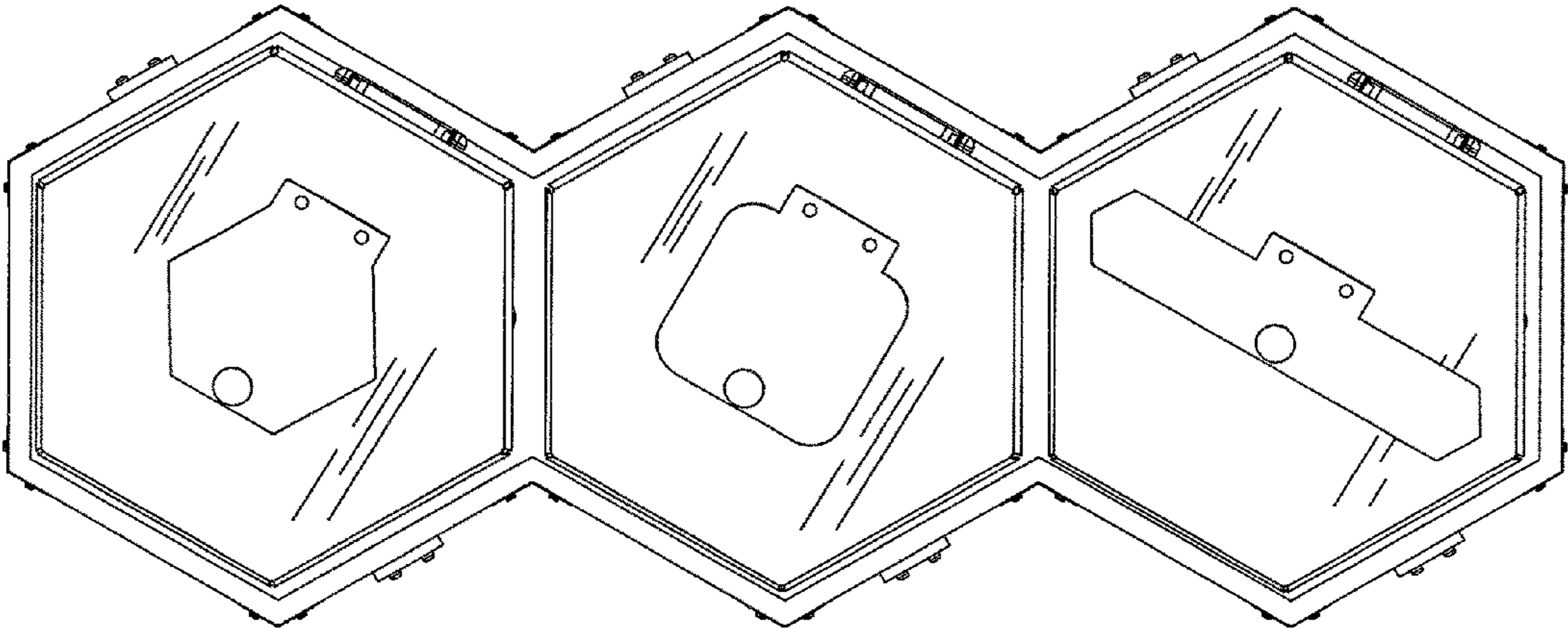


FIG.7

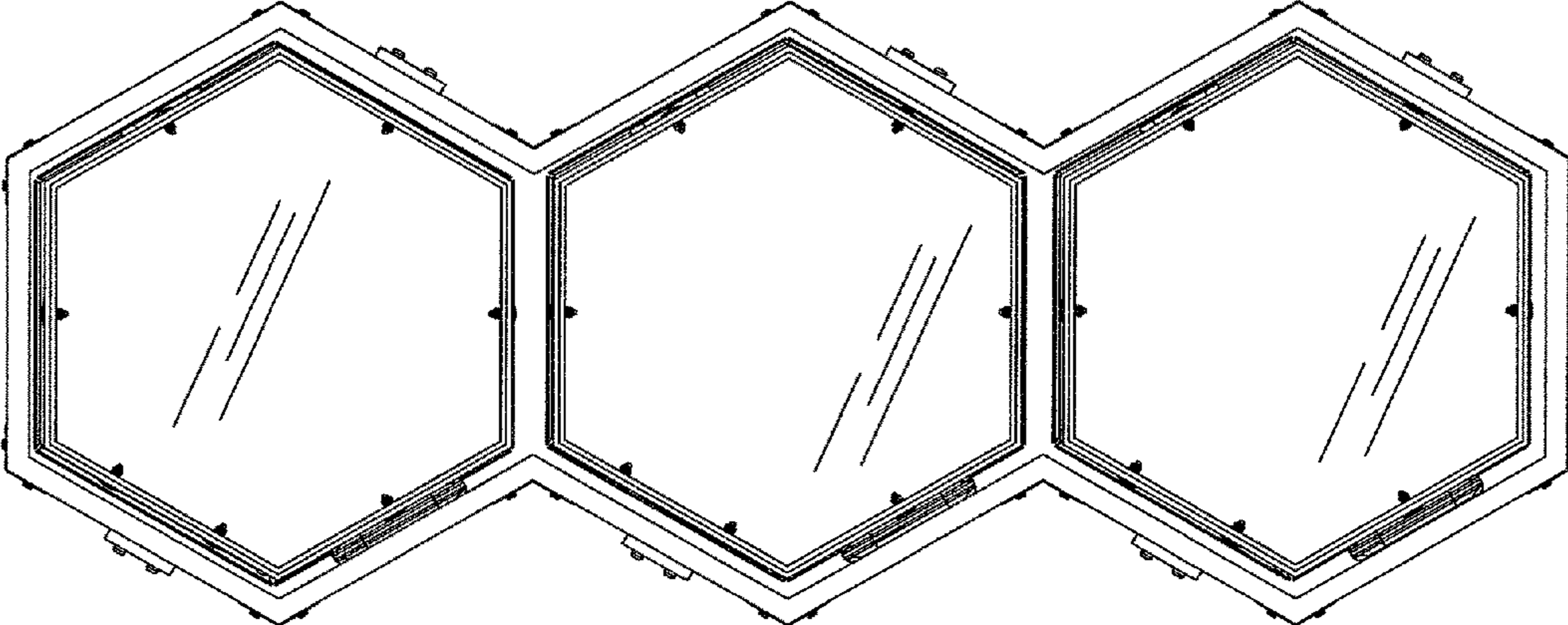


FIG.8

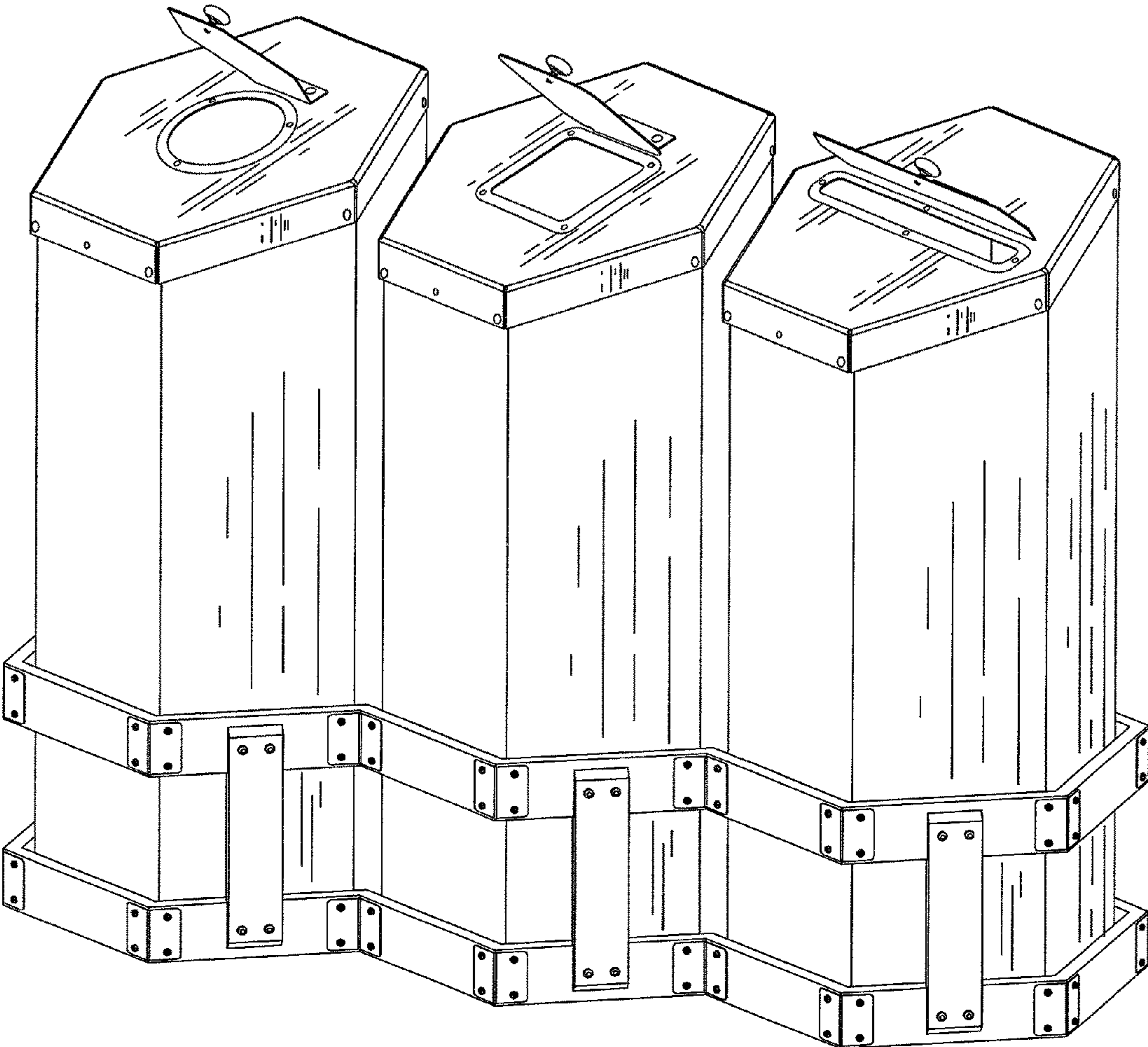


FIG.9

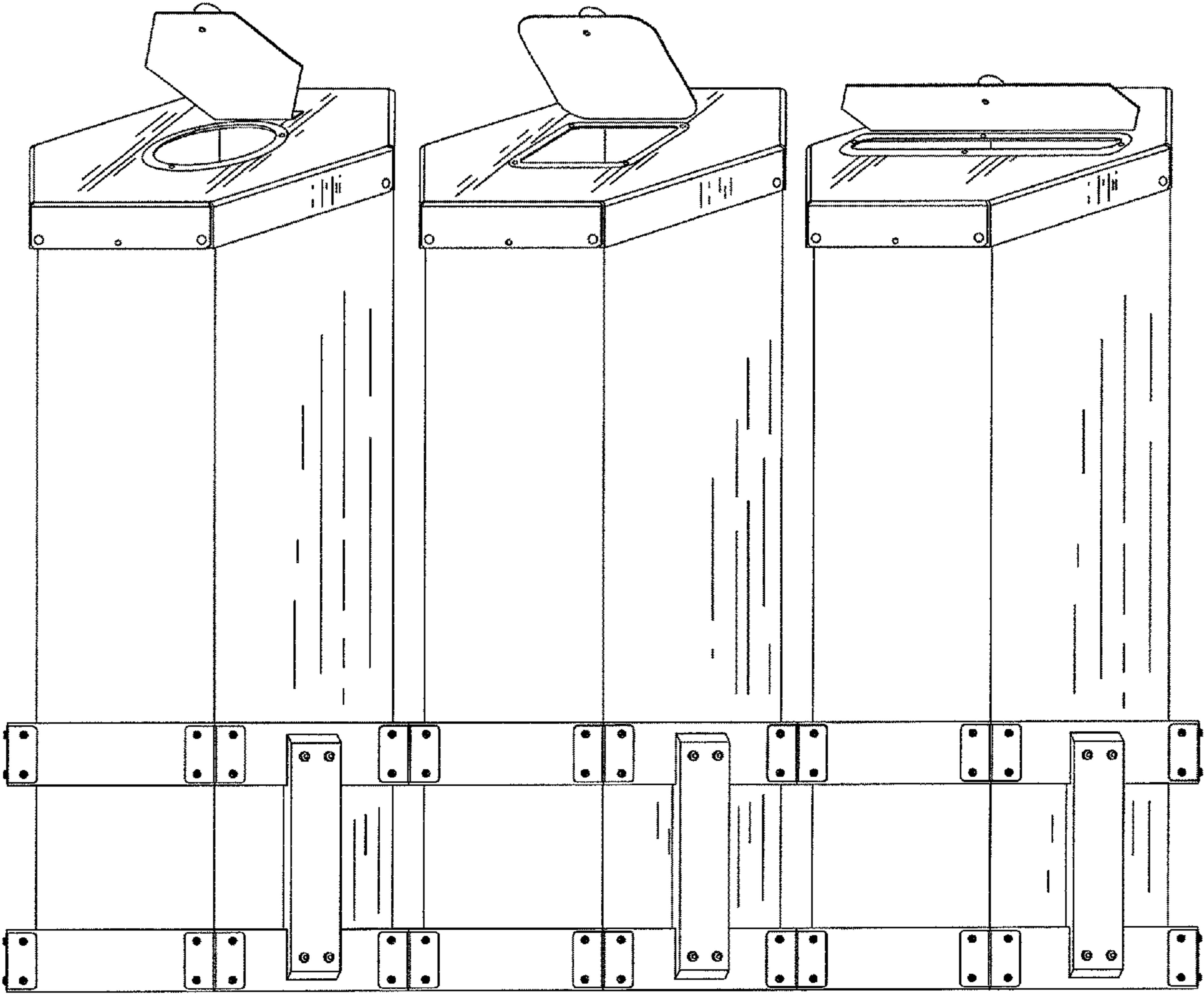


FIG. 10

