



US00D640027S

(12) **United States Design Patent**
Strempack et al.

(10) **Patent No.:** **US D640,027 S**
(45) **Date of Patent:** **** Jun. 14, 2011**

(54) **COMBINED TRASH AND RECYCLABLES BIN WITH SOLAR POWERED LED ILLUMINATED DISPLAY PANELS**

Primary Examiner — Cynthia Ramirez
(74) *Attorney, Agent, or Firm* — Sinorica, LLC

(75) Inventors: **Guy Thomas Strempack**, Fort Lauderdale, FL (US); **Goran Dragonslavic**, Fort Lauderdale, FL (US)

(57) **CLAIM**
The ornamental design for a combined trash and recyclables bin with solar powered LED illuminated display panels, as shown and described.

(73) Assignee: **First American Advertising Corporation**, Fort Lauderdale, FL (US)

DESCRIPTION

(**) Term: **14 Years**

(21) Appl. No.: **29/377,771**

(22) Filed: **Oct. 26, 2010**

(51) **LOC (9) Cl.** **09-09**

(52) **U.S. Cl.** **D34/1**

(58) **Field of Classification Search** D34/1-11;
220/908-913, 4.32; 362/812, 28, 29; 40/306;
D20/10, 19

See application file for complete search history.

FIG. 1 is a perspective view of a combined trash and recyclables bin with solar powered LED illuminated display panels showing our new design;
FIG. 2 is a front elevational view thereof;
FIG. 3 is a rear elevational view thereof;
FIG. 4 is a right-side elevational view thereof;
FIG. 5 is a left-side elevational view thereof;
FIG. 6 is a bottom plan view thereof;
FIG. 7 is a top plan view thereof;
FIG. 8 is a perspective view of a combined trash and recyclables bin with solar powered LED illuminated display panels with the front panel in an open position;
FIG. 9 is a front elevational view thereof;
FIG. 10 is a rear elevational view thereof;
FIG. 11 is a right-side elevational view thereof;
FIG. 12 is a left-side elevational view thereof;
FIG. 13 is a bottom plan view thereof; and,
FIG. 14 is a top plan view thereof.

The broken line showing in the figures is for the purpose of illustrating environmental structure and forms no part of the claimed design.

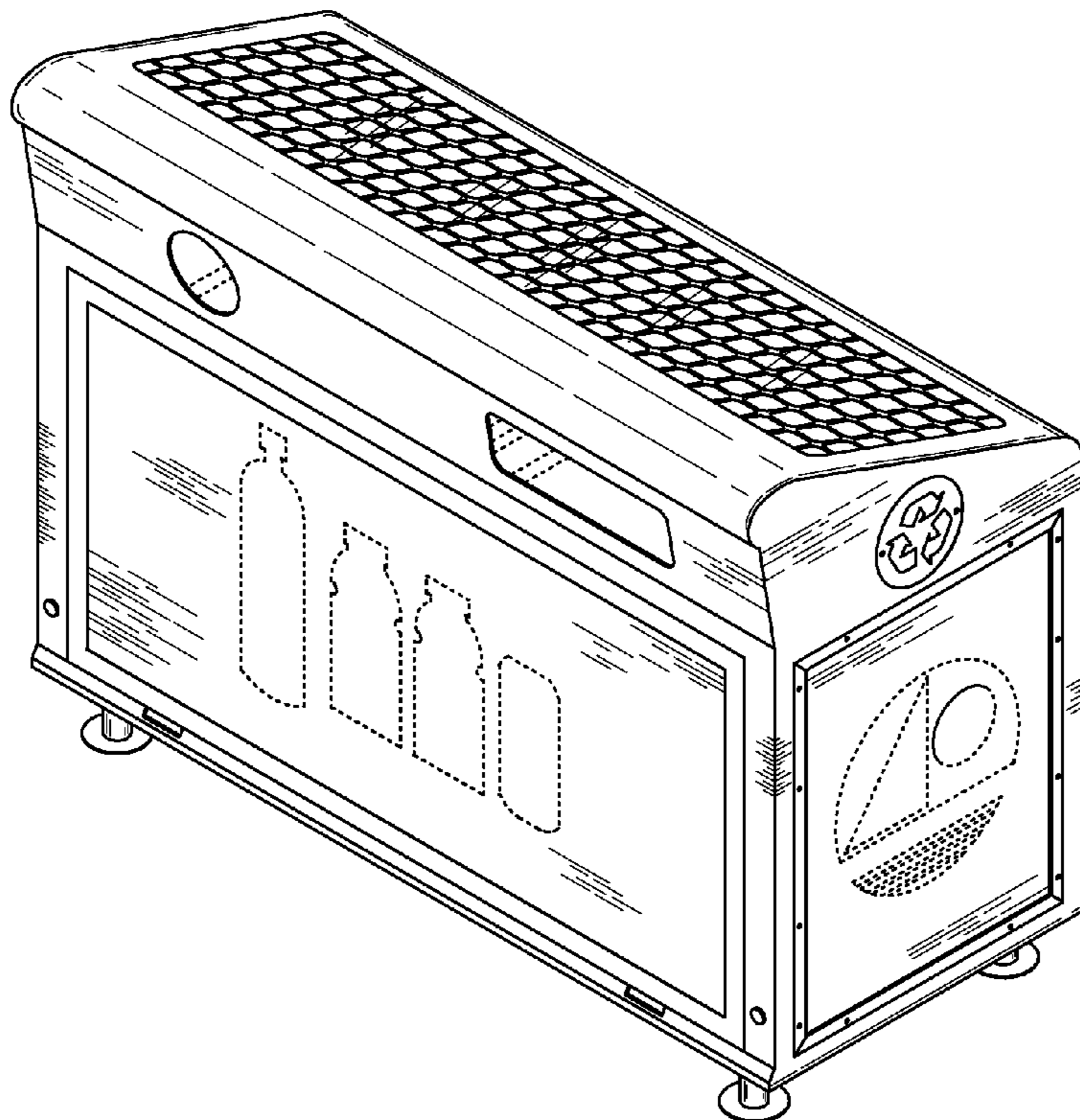
(56) **References Cited**

U.S. PATENT DOCUMENTS

3,394,832 A *	7/1968	McAllister et al.	220/254.3
D327,152 S *	6/1992	Rose et al.	D34/5
D428,279 S *	7/2000	Olson	D6/426
6,193,091 B1 *	2/2001	Olivetti	220/23.88
D535,447 S *	1/2007	Olivetti	D34/1
D617,519 S *	6/2010	Malczewski et al.	D34/1
D629,992 S *	12/2010	Wolff	D34/7

* cited by examiner

1 Claim, 9 Drawing Sheets



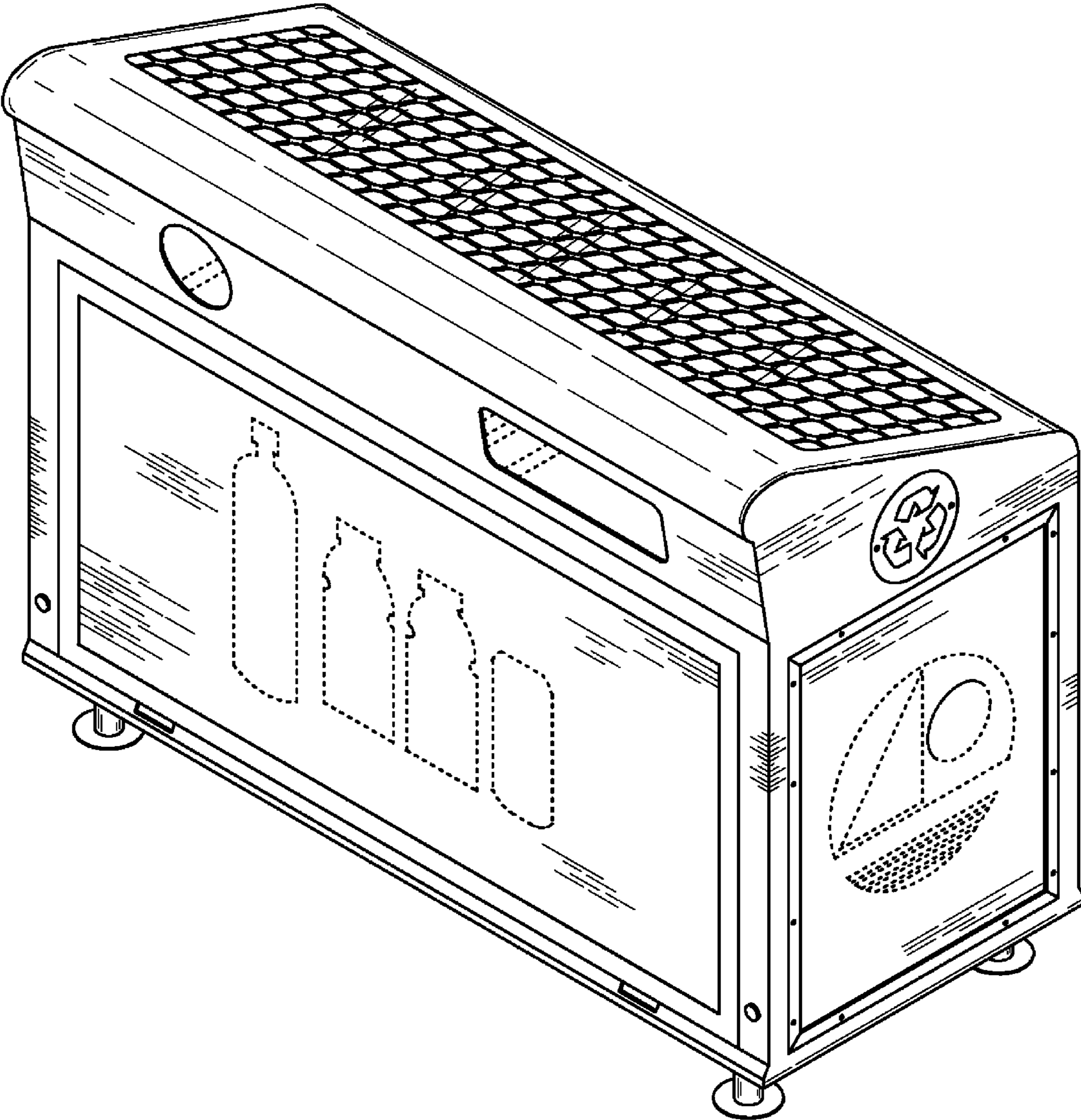


FIG. 1

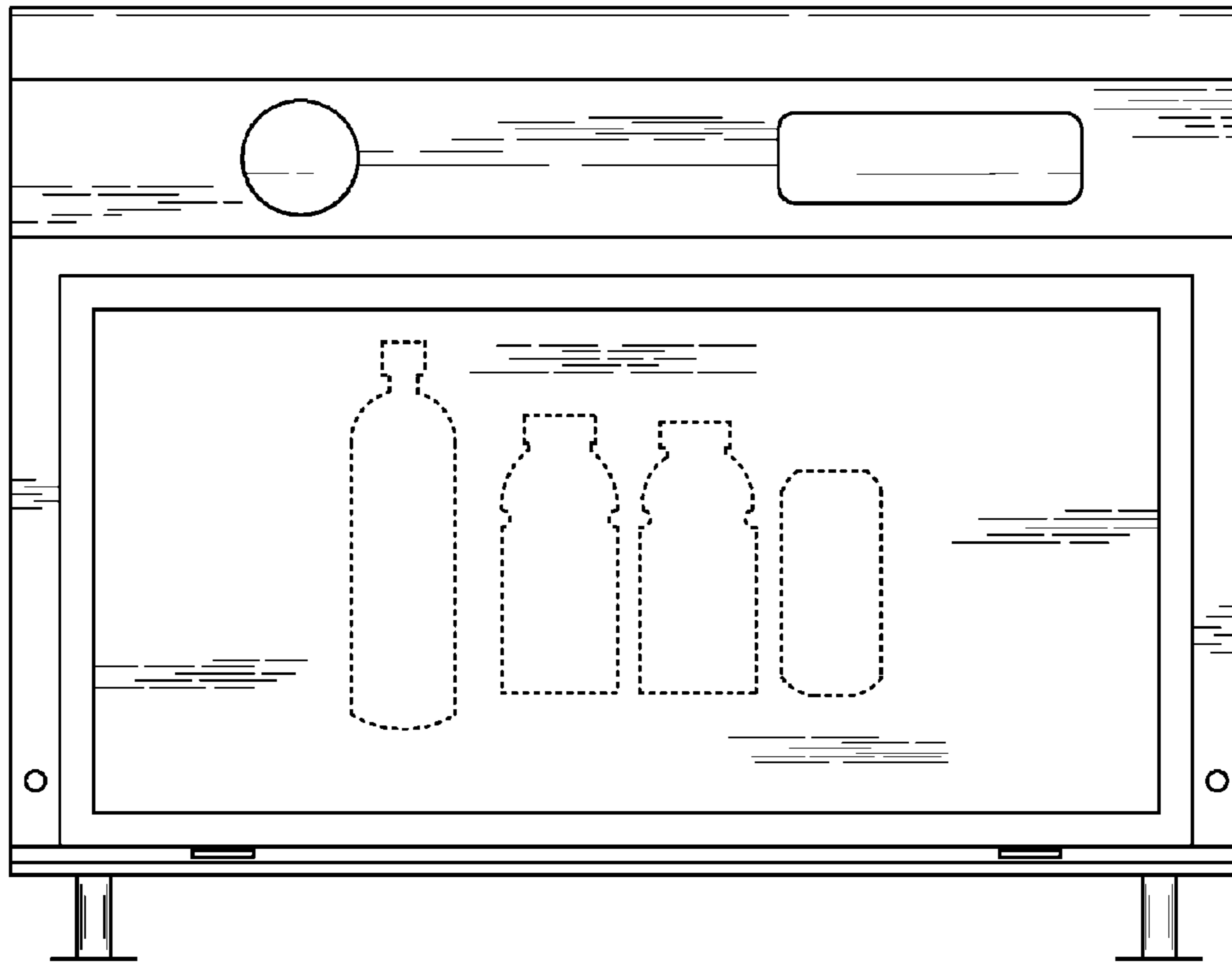


FIG. 2

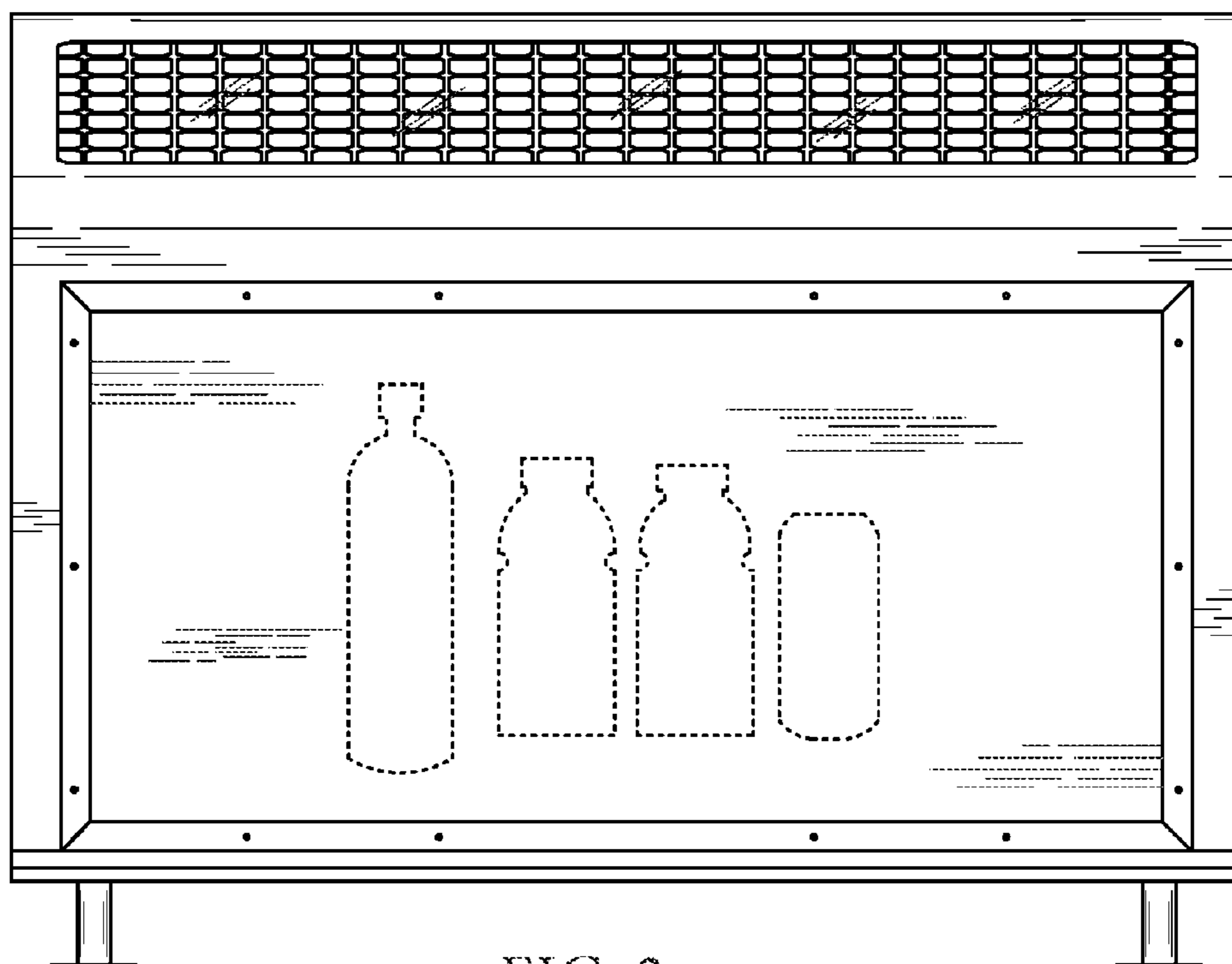


FIG. 3

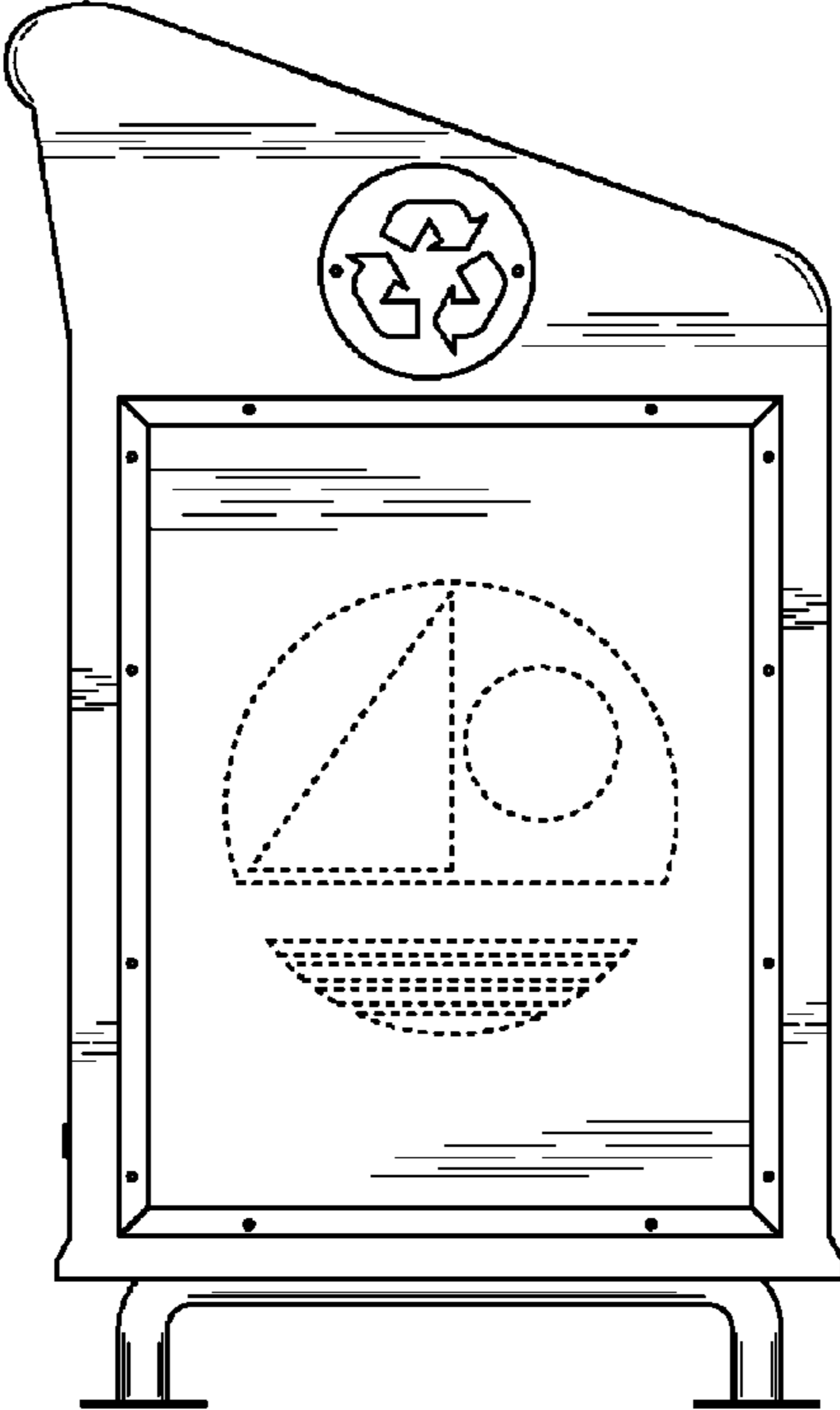


FIG. 4

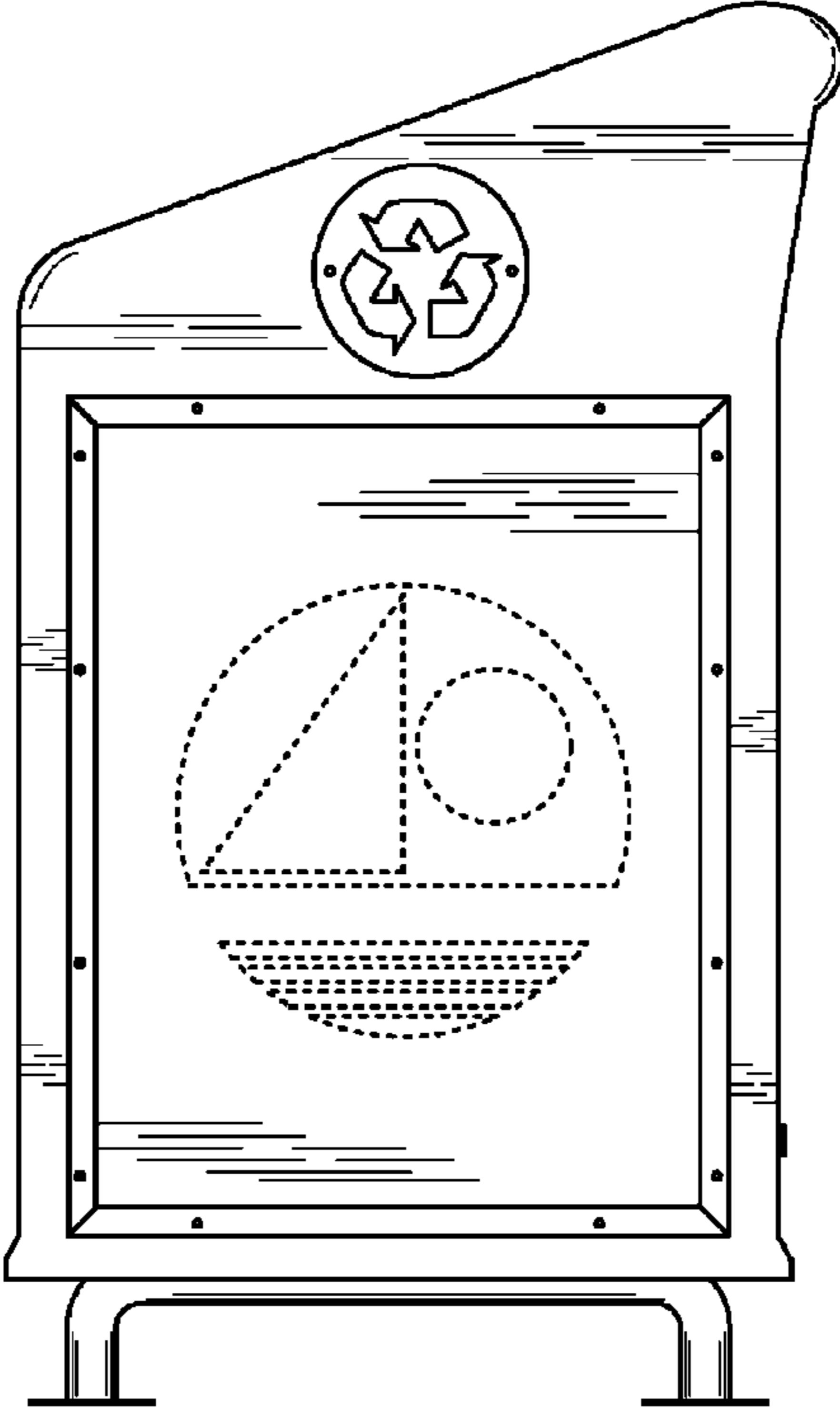


FIG. 5

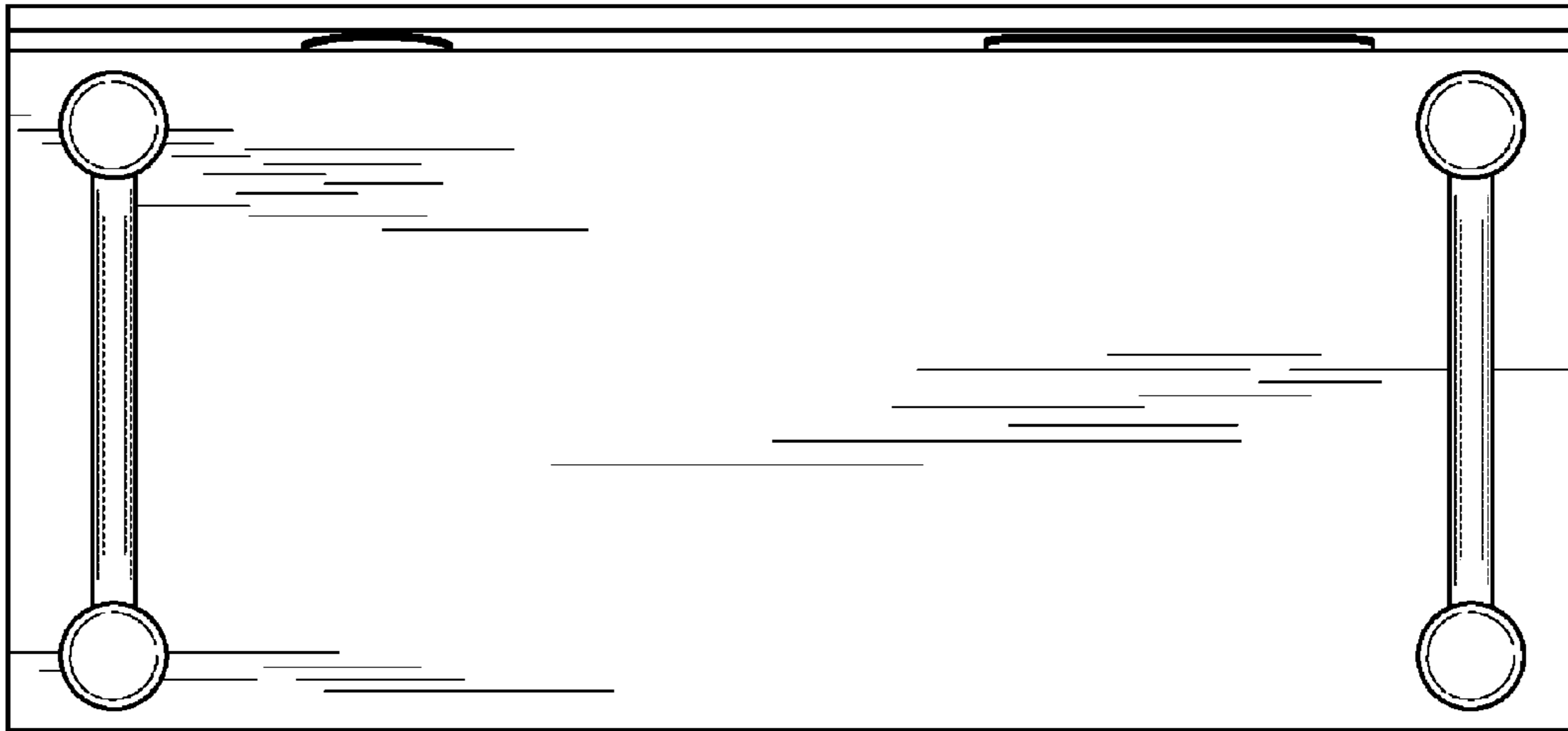


FIG. 6

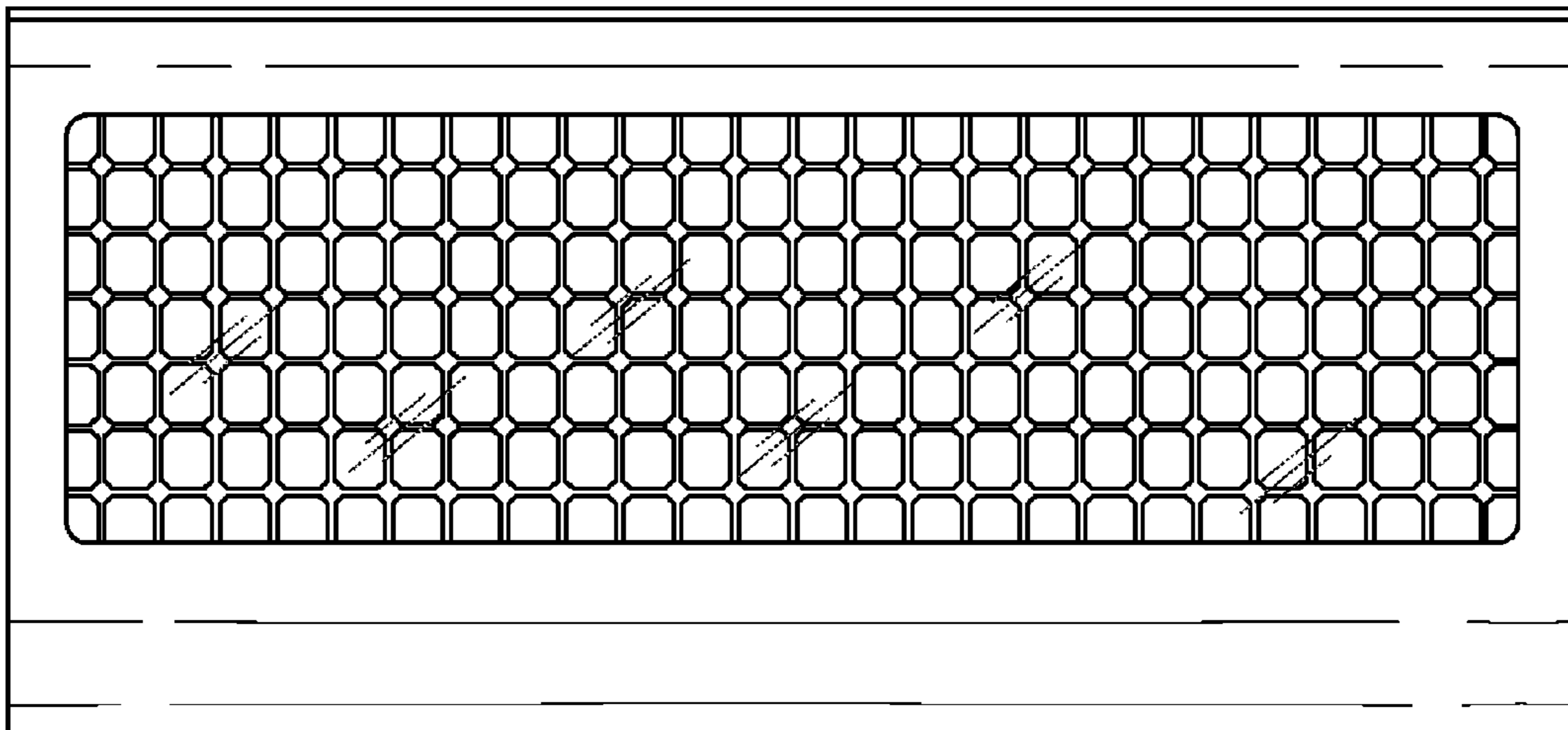


FIG. 7

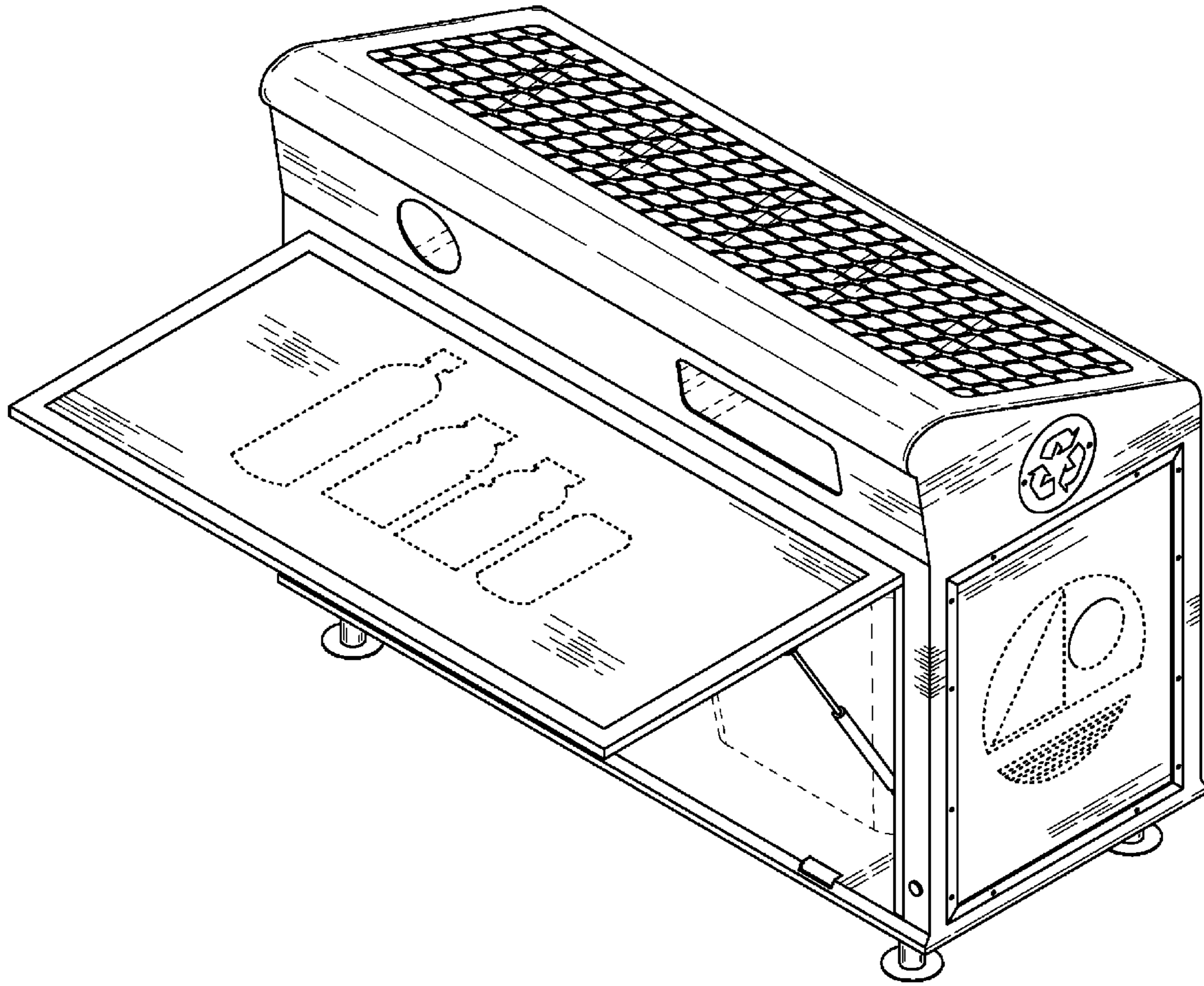


FIG. 8

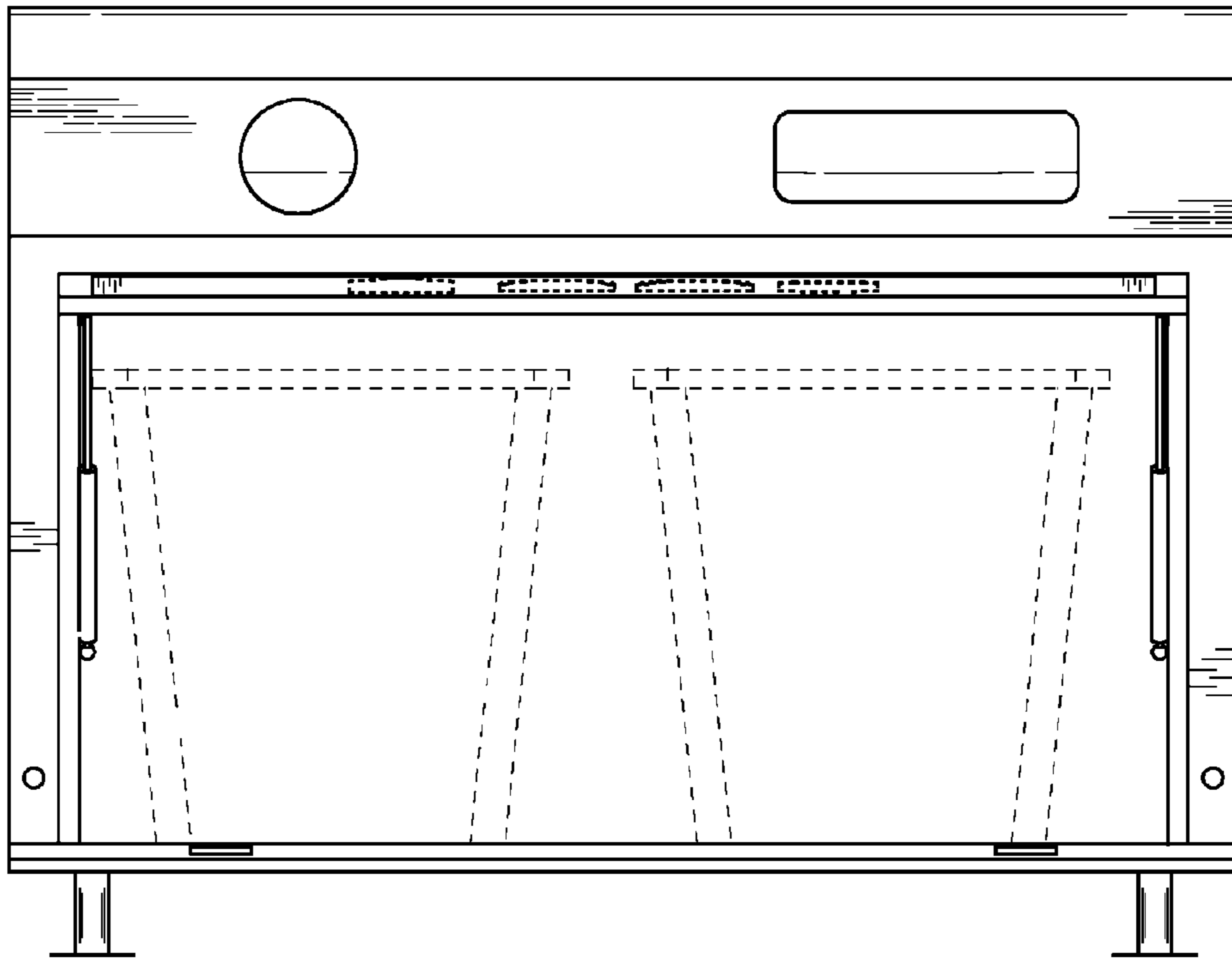


FIG. 9

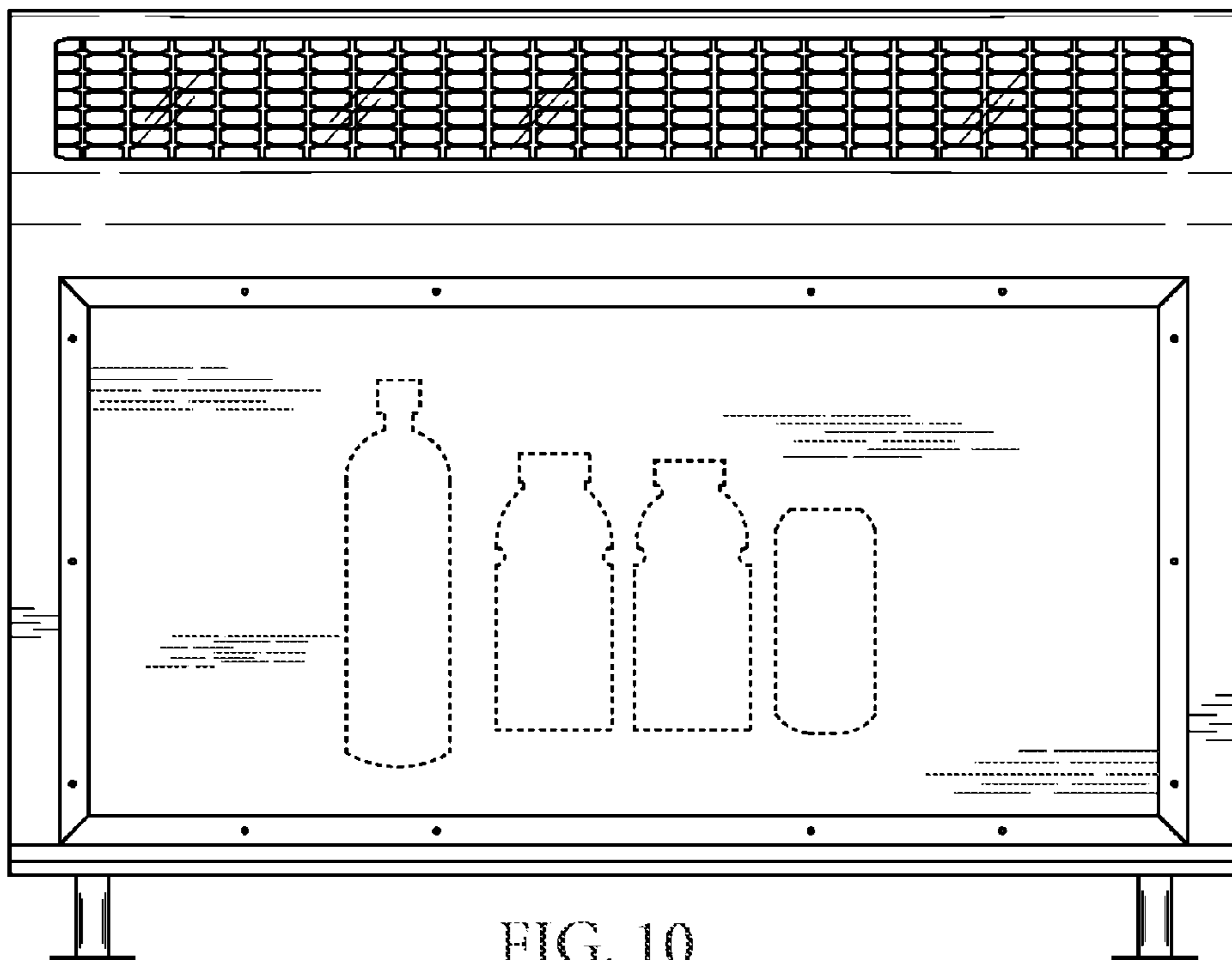


FIG. 10

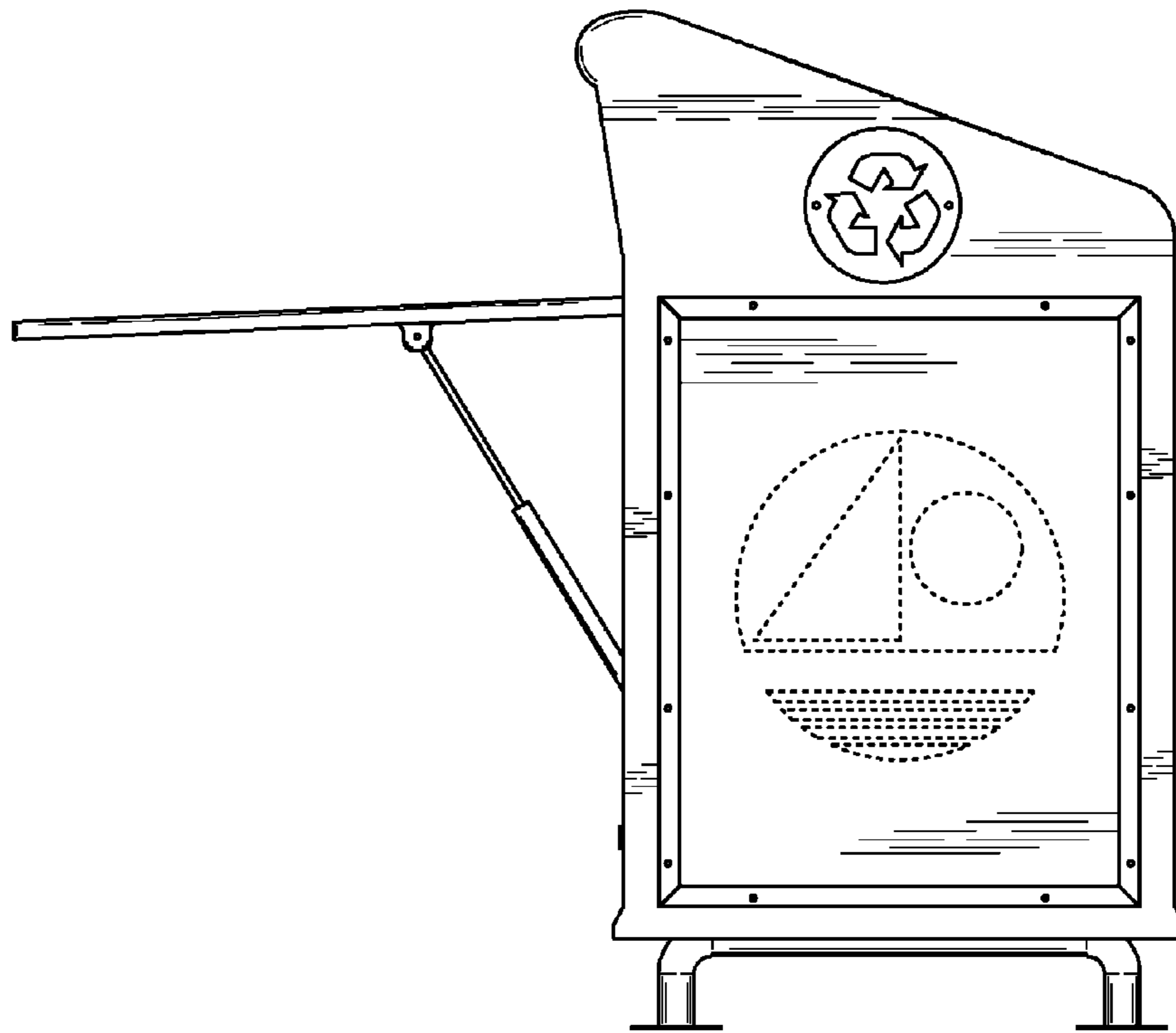


FIG. 11

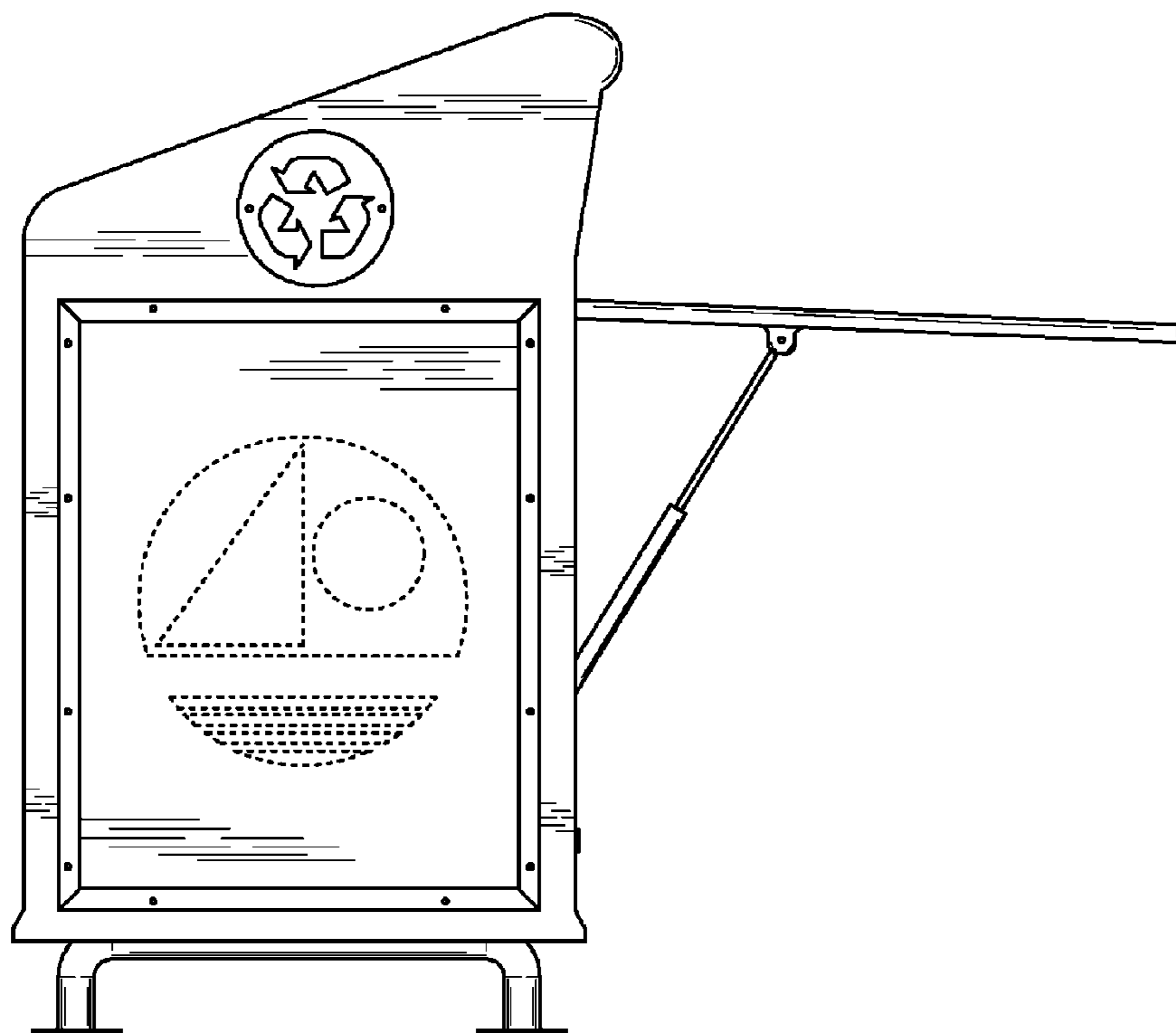


FIG. 12

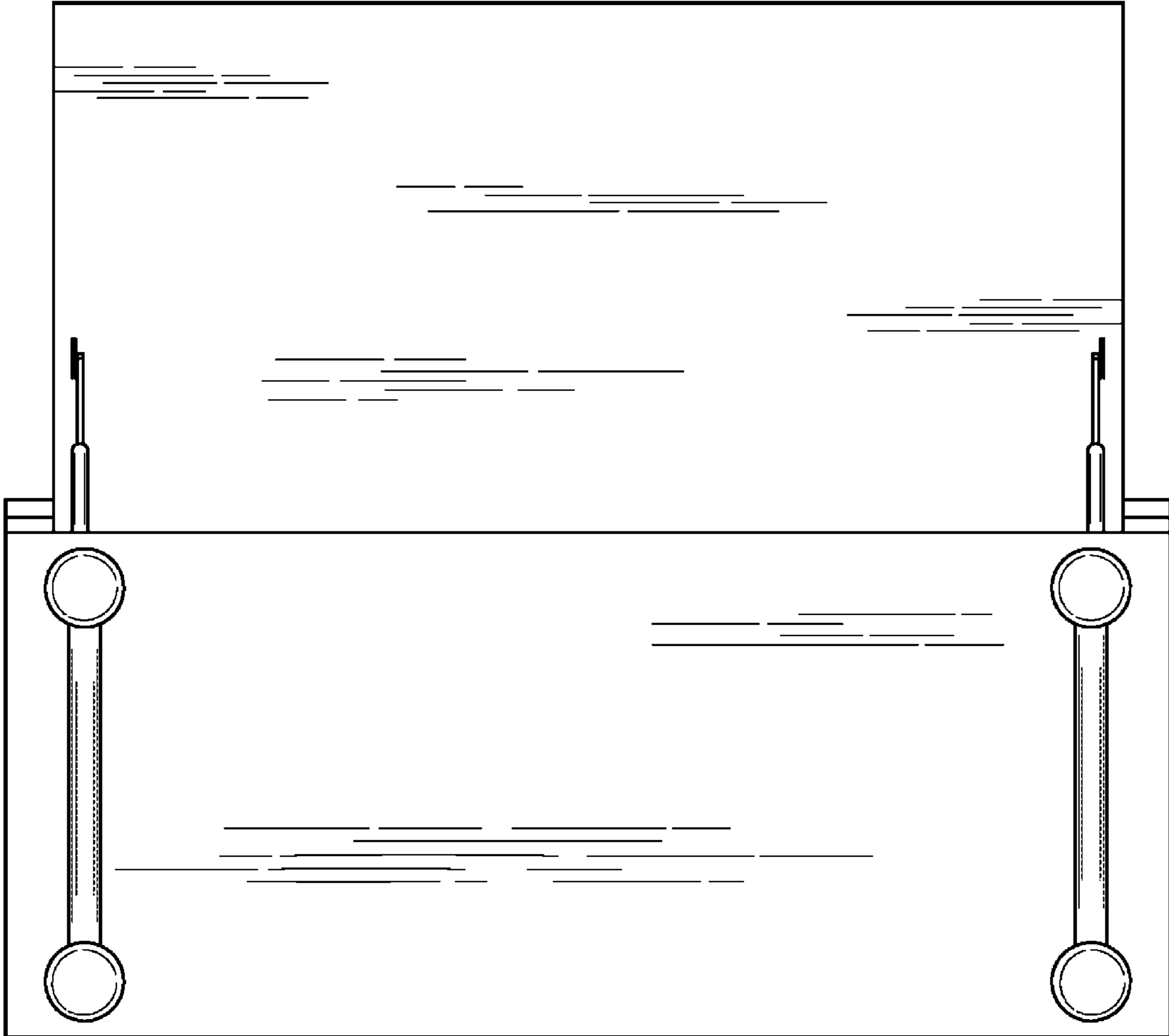


FIG. 13

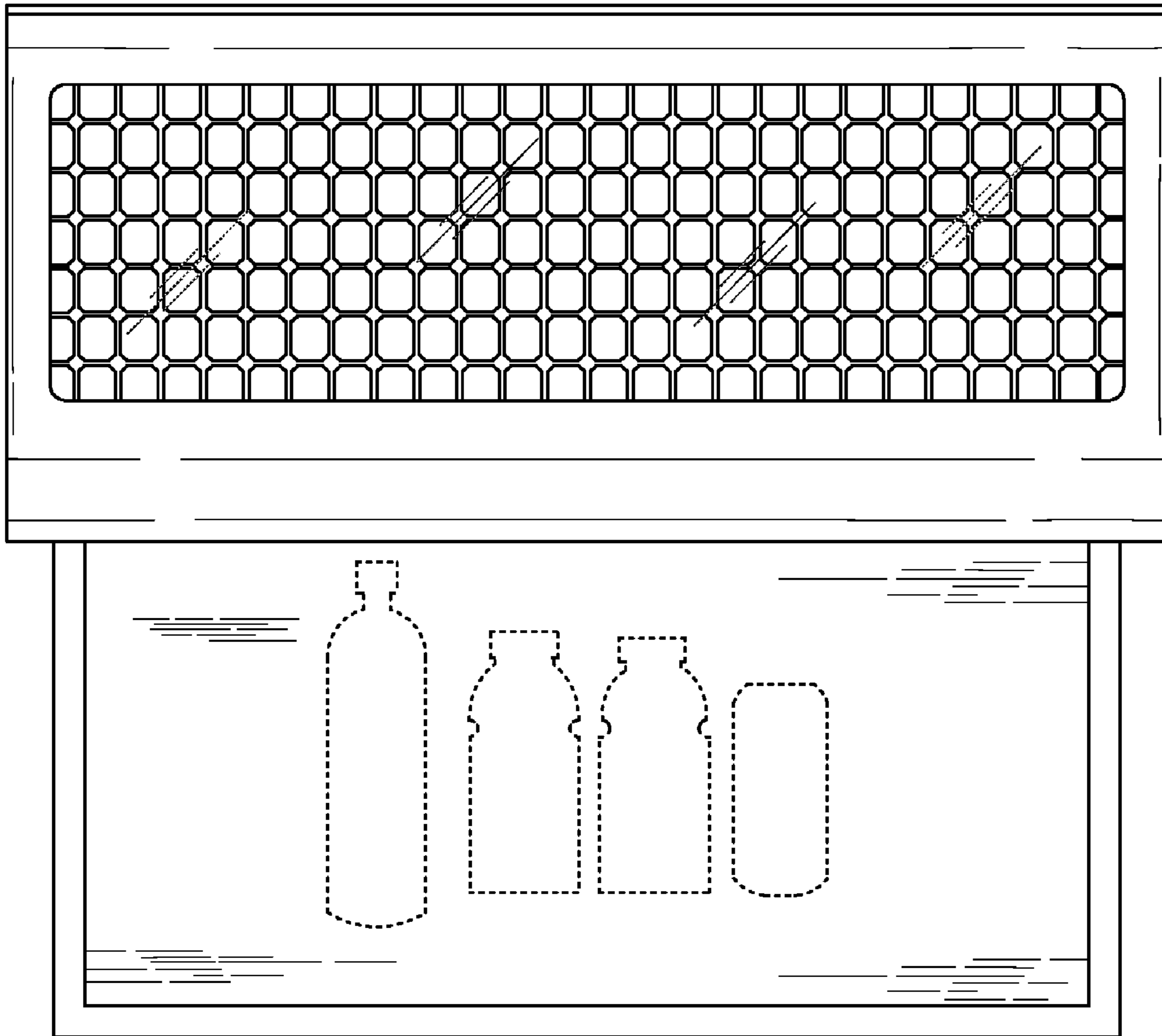


FIG. 14