



US00D640025S

(12) **United States Design Patent**
Wildeman

(10) **Patent No.:** **US D640,025 S**
(45) **Date of Patent:** **** Jun. 14, 2011**

(54) **CLEANING WIPE**

(75) Inventor: **Martin Wildeman**, Spartanburg, SC
(US)

(73) Assignee: **TieTex International, Ltd.**,
Spartanburg, SC (US)

(**) Term: **14 Years**

(21) Appl. No.: **29/381,519**

(22) Filed: **Dec. 20, 2010**

(51) **LOC (9) Cl.** **04-01**

(52) **U.S. Cl.** **D32/40; D5/56**

(58) **Field of Classification Search** D32/40-46;
D5/56; 15/244.1-244.4, 209.1, 245, 245.1,
15/228; 428/85

See application file for complete search history.

(56) **References Cited**

U.S. PATENT DOCUMENTS

| | | | | |
|----------------|---------|-----------------|-------|--------|
| D188,408 S * | 7/1960 | Slegman | | D5/56 |
| D272,673 S * | 2/1984 | Bonomo | | D5/56 |
| D376,896 S * | 12/1996 | O'Rorke | | D2/953 |
| 5,725,927 A * | 3/1998 | Zilg et al. | | 428/89 |
| 6,202,250 B1 * | 3/2001 | Kenmochi et al. | | 15/231 |
| D505,528 S * | 5/2005 | Burt et al. | | D32/40 |

| | | | | |
|--------------|---------|---------------|-------|--------|
| D545,018 S * | 6/2007 | Caruso et al. | | D32/40 |
| D552,313 S * | 10/2007 | Caruso et al. | | D32/40 |
| D581,677 S * | 12/2008 | Yeh | | D5/56 |
| D609,420 S * | 2/2010 | Laforteza | | D32/40 |
| D627,941 S * | 11/2010 | Cocchioni | | D32/40 |
| D633,673 S * | 3/2011 | McKnight | | D32/40 |

* cited by examiner

Primary Examiner — Robin Webster

(74) *Attorney, Agent, or Firm* — J. M. Robertson, LLC

(57) **CLAIM**

The ornamental design for a cleaning wipe, as shown and described.

DESCRIPTION

FIG. 1 is a perspective view of a cleaning wipe showing the new design;

FIG. 2 is a top view of the cleaning wipe of FIG. 1;

FIG. 3 is a bottom view of the cleaning wipe of FIG. 1;

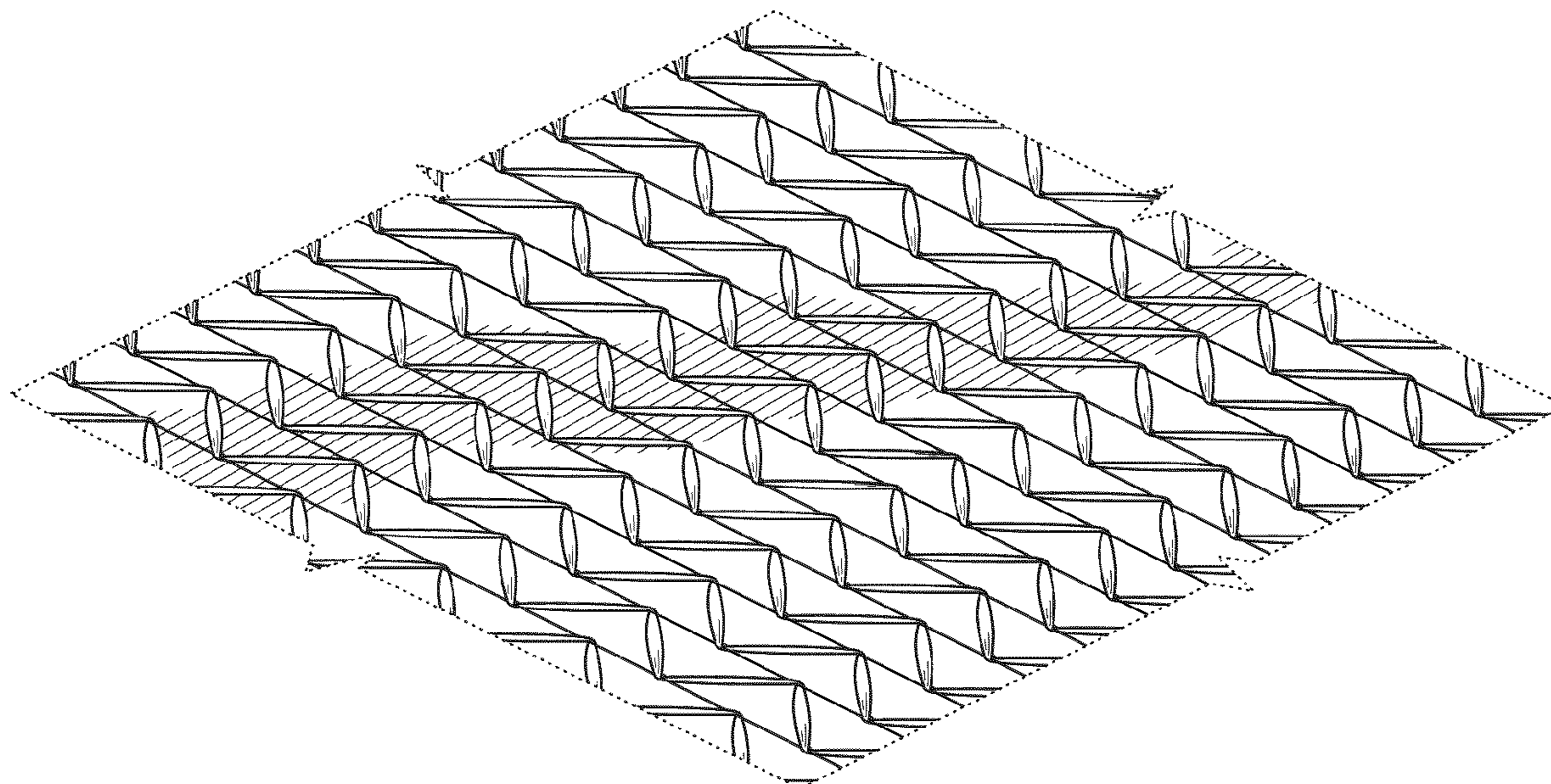
FIG. 4 is a side view in the direction of line 4-4 in FIG. 2;

FIG. 5 is a side view in the direction of line 5-5 in FIG. 2; and,

FIG. 6 is a side view in the direction of line 6-6 in FIG. 2.

The shading and broken line portions of the disclosure are for illustrative purposes only and form no part of the claimed design.

1 Claim, 4 Drawing Sheets



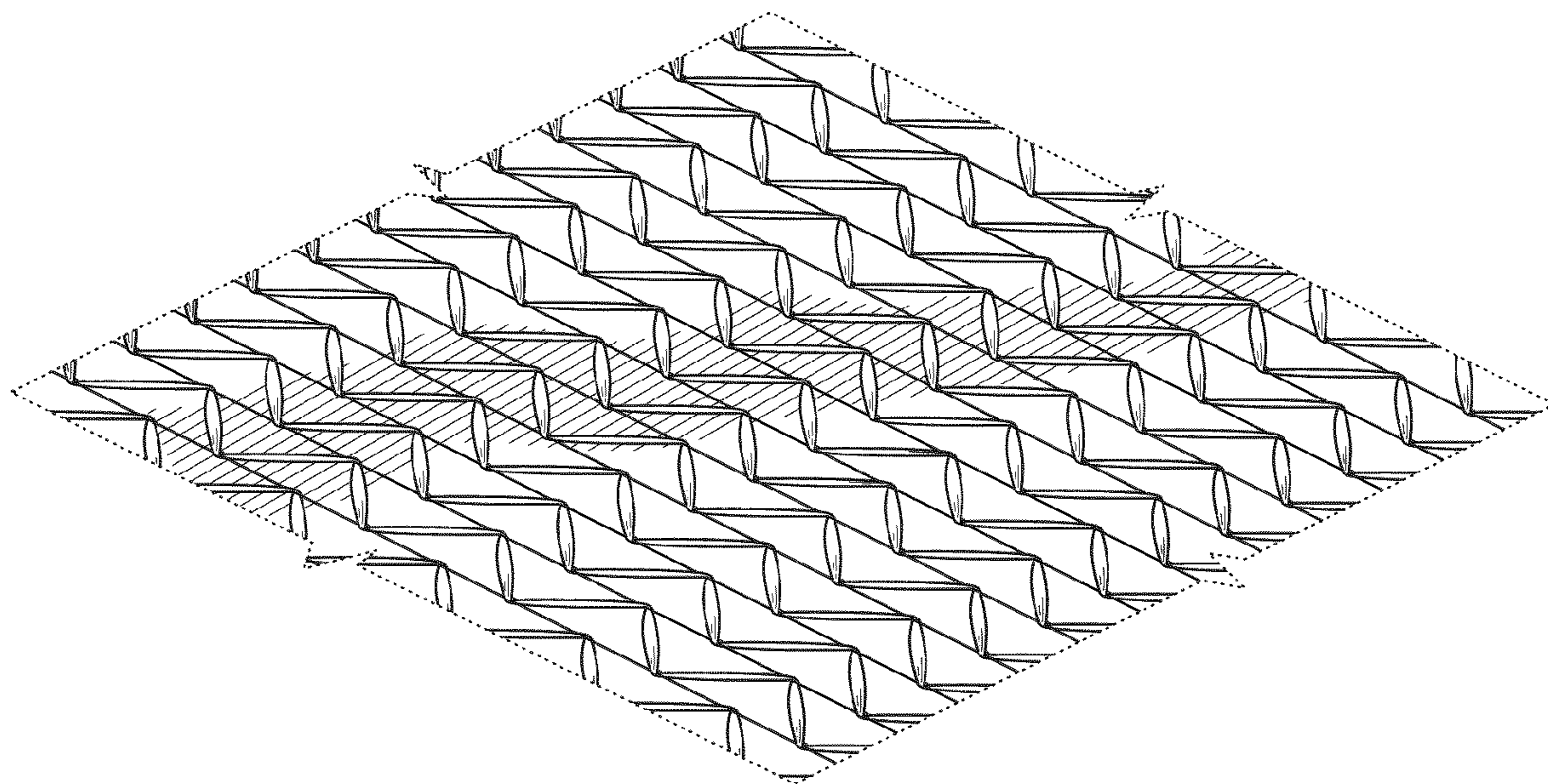


FIG. 1

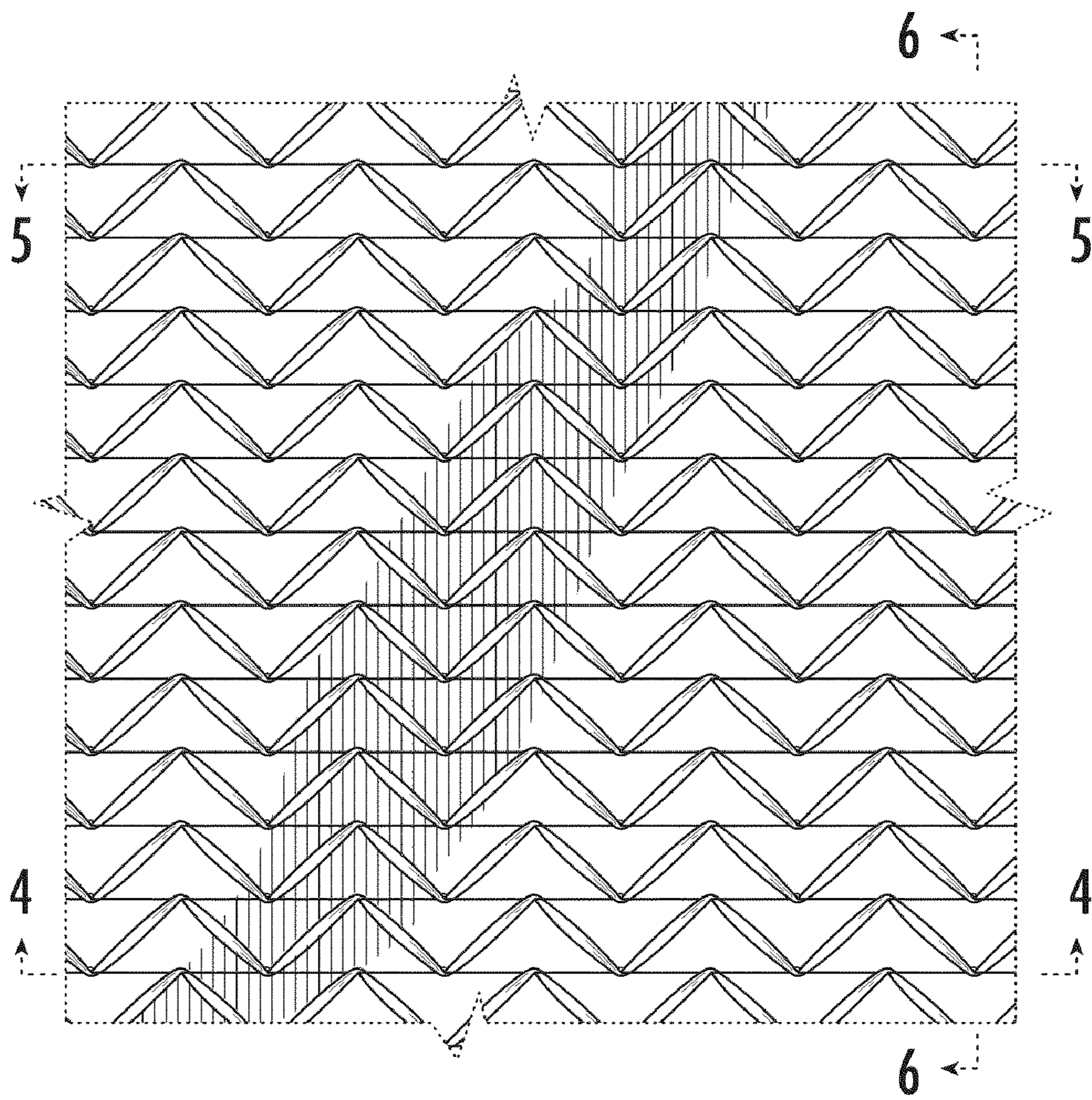


FIG. 2

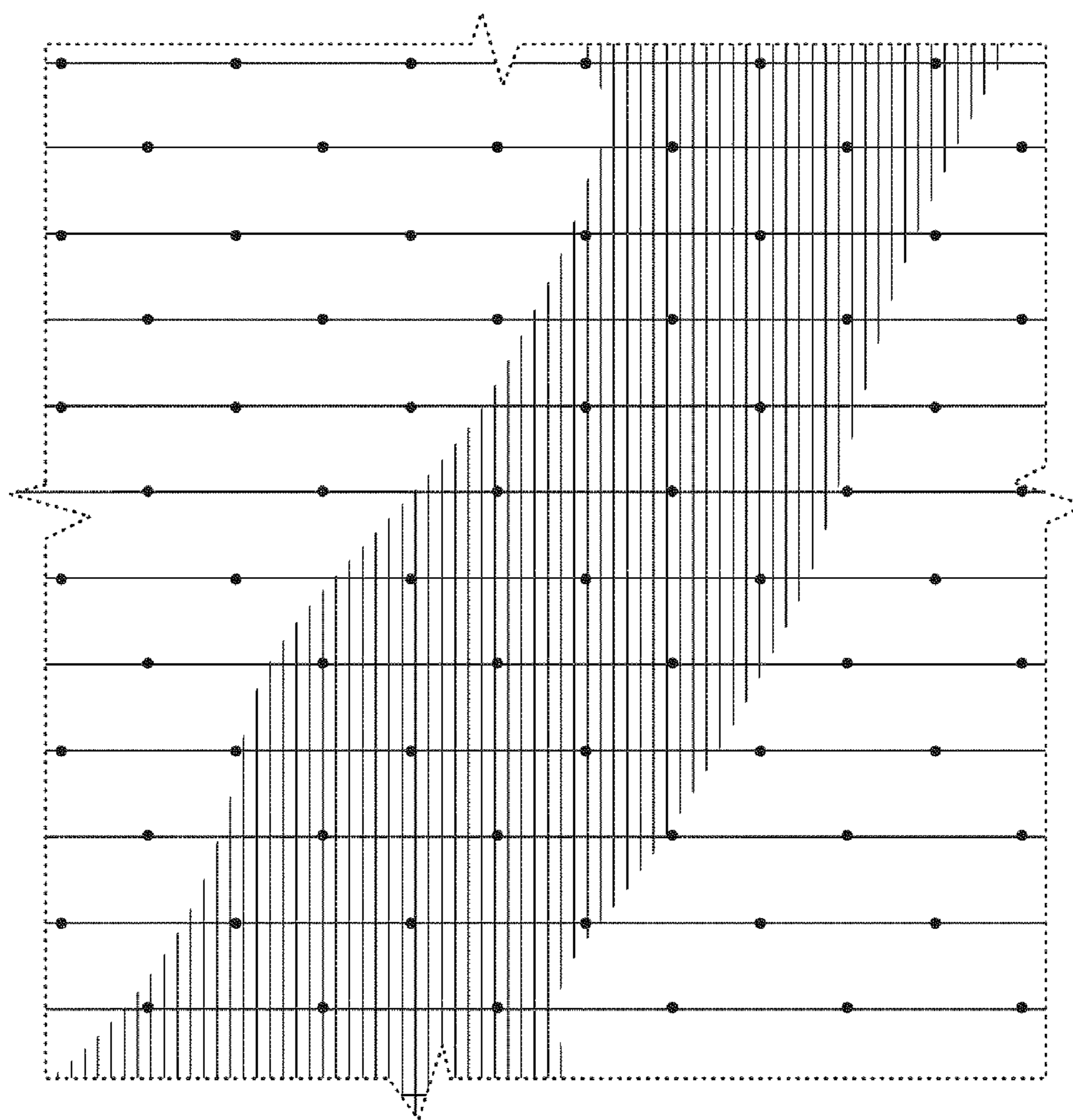


FIG. 3



FIG. 4



FIG. 5



FIG. 6