



US00D640024S

(12) **United States Design Patent**  
**Crevling et al.**

(10) **Patent No.:** **US D640,024 S**

(45) **Date of Patent:** **\*\* Jun. 14, 2011**

(54) **VACUUM CLEANER**

(75) Inventors: **Robert L. Crevling**, Cogan Station, PA (US); **Jason Gottschall**, S. Williamsport, PA (US); **Craig A. Seasholtz**, Avis, PA (US); **John Griffin**, Phoenix, AZ (US)

(73) Assignee: **Shop Vac Corporation**, Williamsport, PA (US)

(\*\*) Term: **14 Years**

(21) Appl. No.: **29/346,770**

(22) Filed: **Nov. 5, 2009**

(51) **LOC (9) Cl.** ..... **15-05**

(52) **U.S. Cl.** ..... **D32/31**

(58) **Field of Classification Search** ..... D32/21, D32/23, 31; 15/327.1, 327.2, 327.4, 327.5, 15/327.7, 320-321, 323, 301, 312.1, 314, 15/353, 412, 347; 220/23.83, 23.6

See application file for complete search history.

(56) **References Cited**

**U.S. PATENT DOCUMENTS**

D470,281	S	*	2/2003	Griffin et al.	.....	D32/23
D528,255	S	*	9/2006	Griffin et al.	.....	D32/21
D568,562	S	*	5/2008	Griffin et al.	.....	D32/23

D568,564	S	*	5/2008	Griffin et al.	.....	D32/31
D568,565	S	*	5/2008	Griffin et al.	.....	D32/31
D581,114	S	*	11/2008	Crevling et al.	.....	D32/23
D587,414	S	*	2/2009	Griffin et al.	.....	D32/31
D591,467	S	*	4/2009	Griffin et al.	.....	D32/23
D599,968	S	*	9/2009	Crevling et al.	.....	D32/23

\* cited by examiner

*Primary Examiner* — Ruth McInroy

(74) *Attorney, Agent, or Firm* — Marshall, Gerstein & Borun LLP; Robert M. Gerstein; Richard M. LaBarge

(57) **CLAIM**

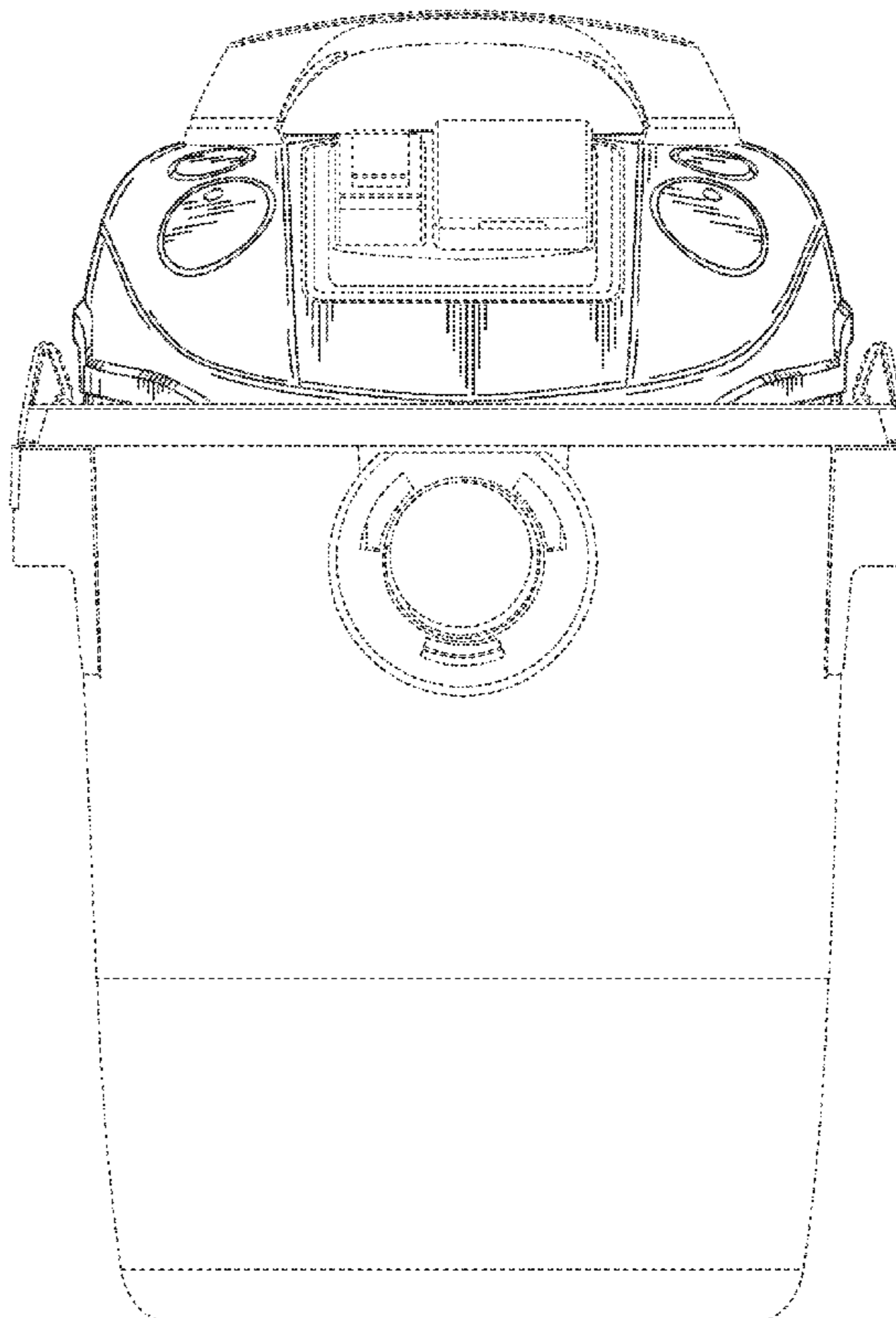
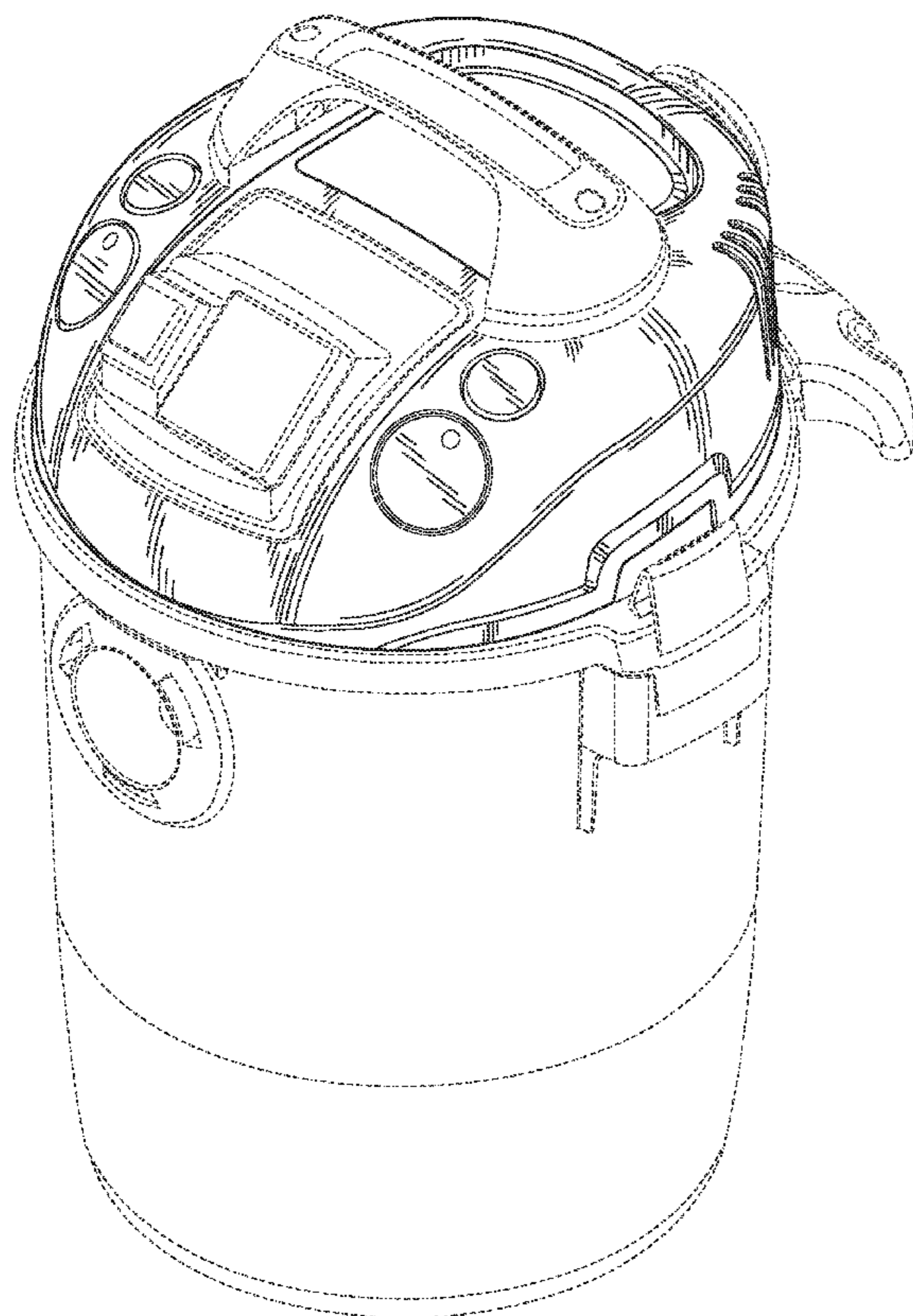
The ornamental design for a vacuum cleaner, as shown and described.

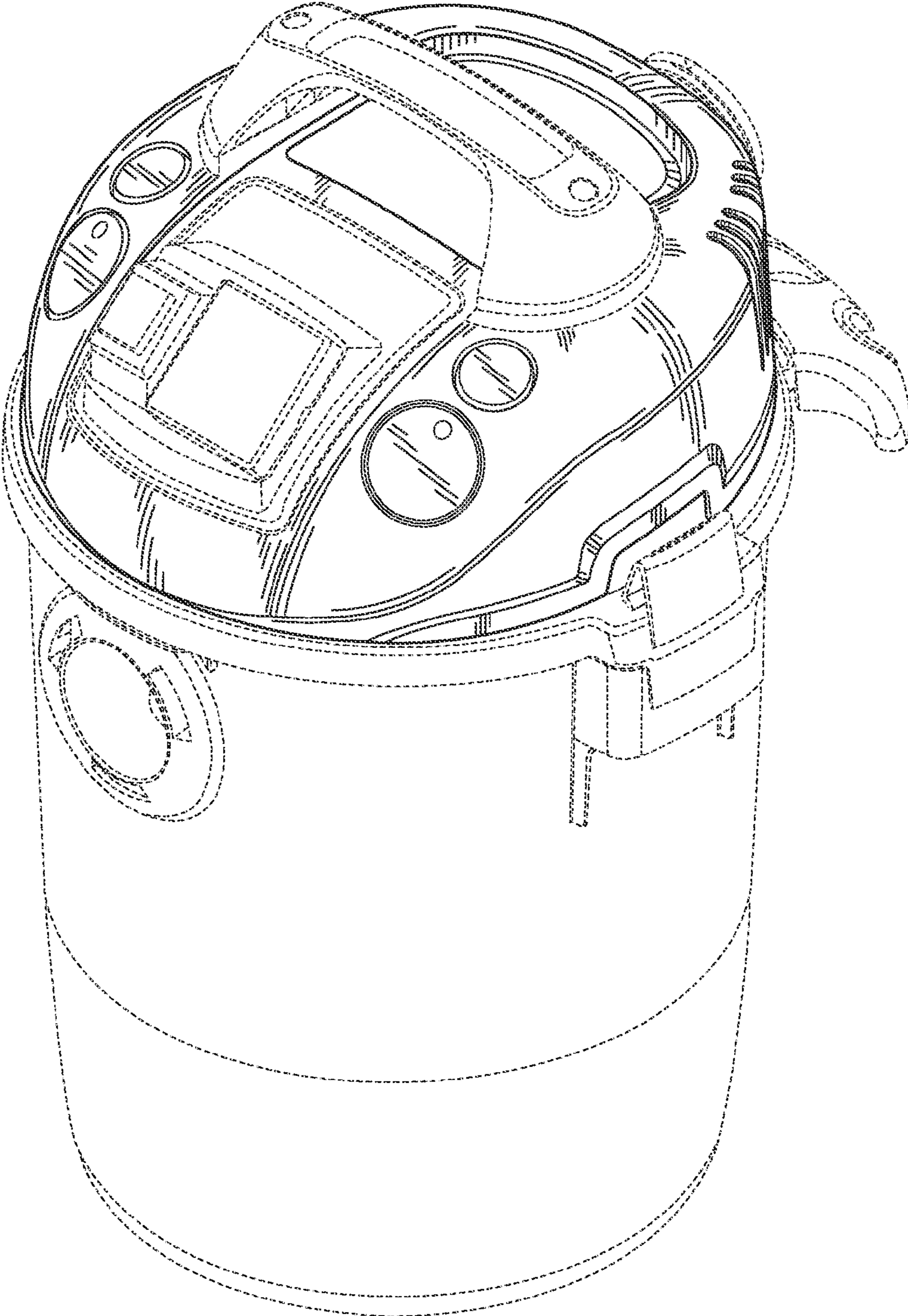
**DESCRIPTION**

FIG. 1 is a top, front and left side perspective view of a vacuum cleaner showing our new design; FIG. 2 is a front elevation view thereof; FIG. 3 is a left side elevation view thereof; FIG. 4 is a rear elevation view thereof; FIG. 5 is a right side elevation view thereof; and, FIG. 6 is a top plan view thereof.

The broken line showing of portions of the vacuum cleaner is for the purpose of illustrating portions of the vacuum cleaner and forms no part of the claimed design.

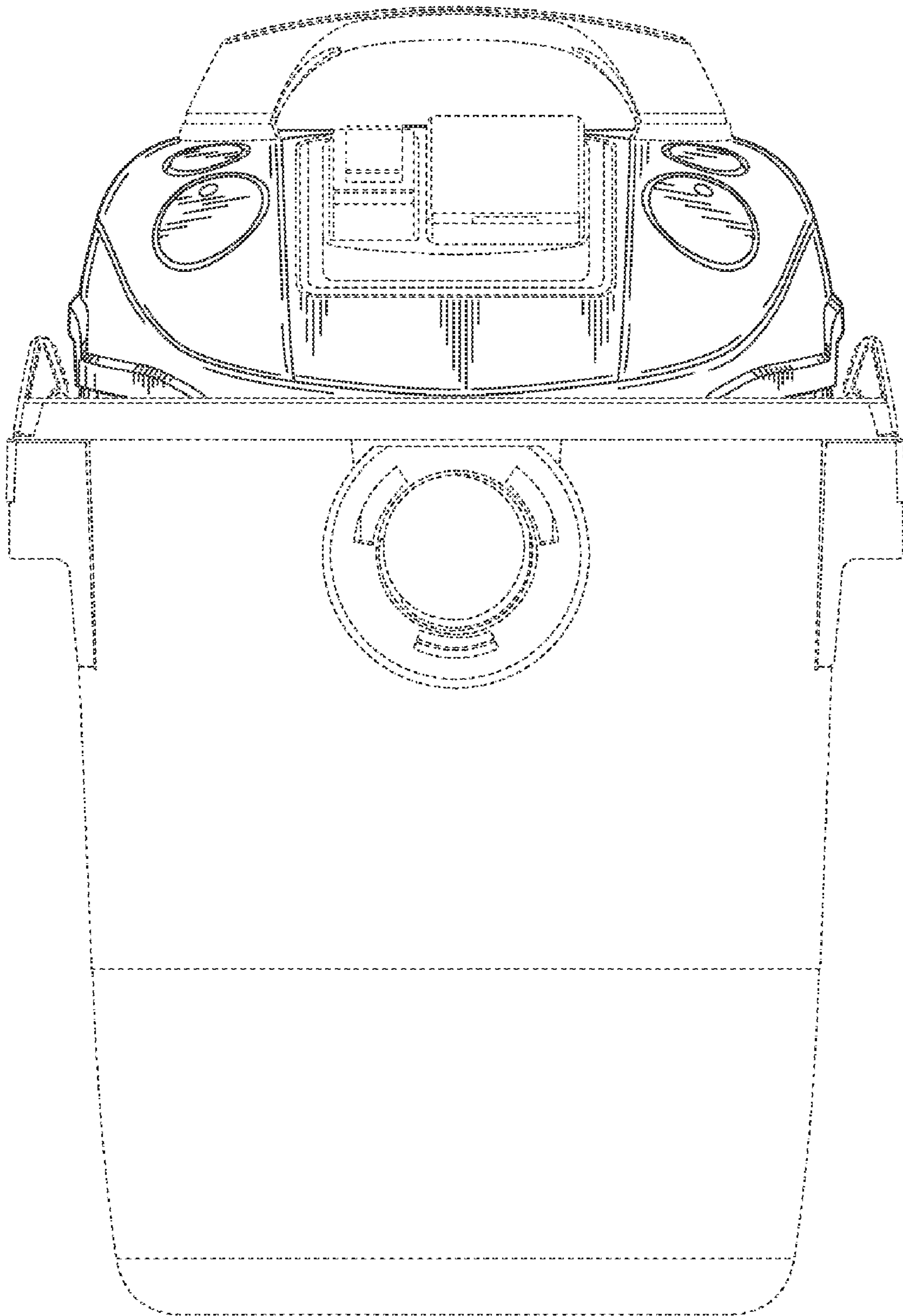
**1 Claim, 6 Drawing Sheets**



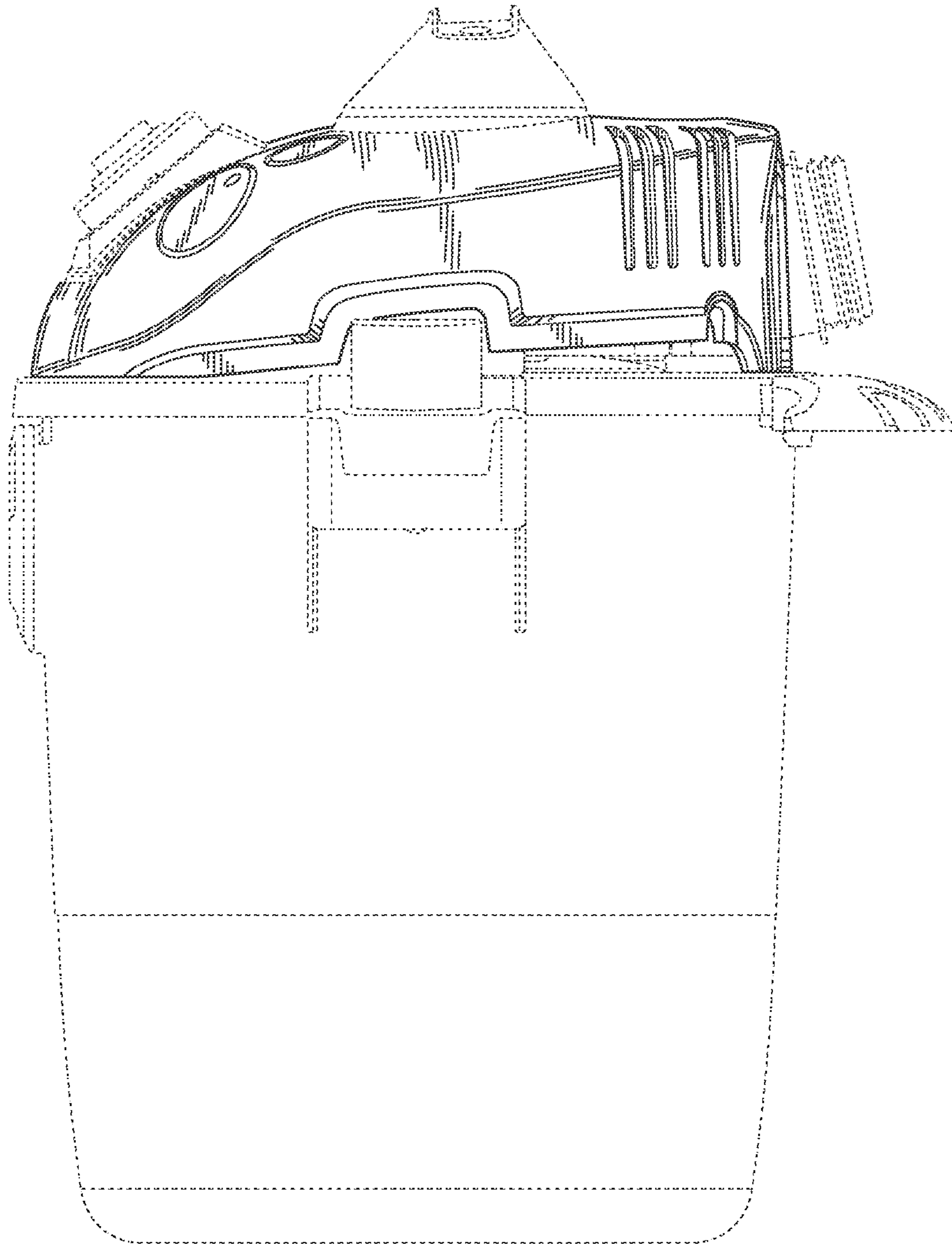


**FIG. 1**





**FIG. 2**



**FIG. 3**

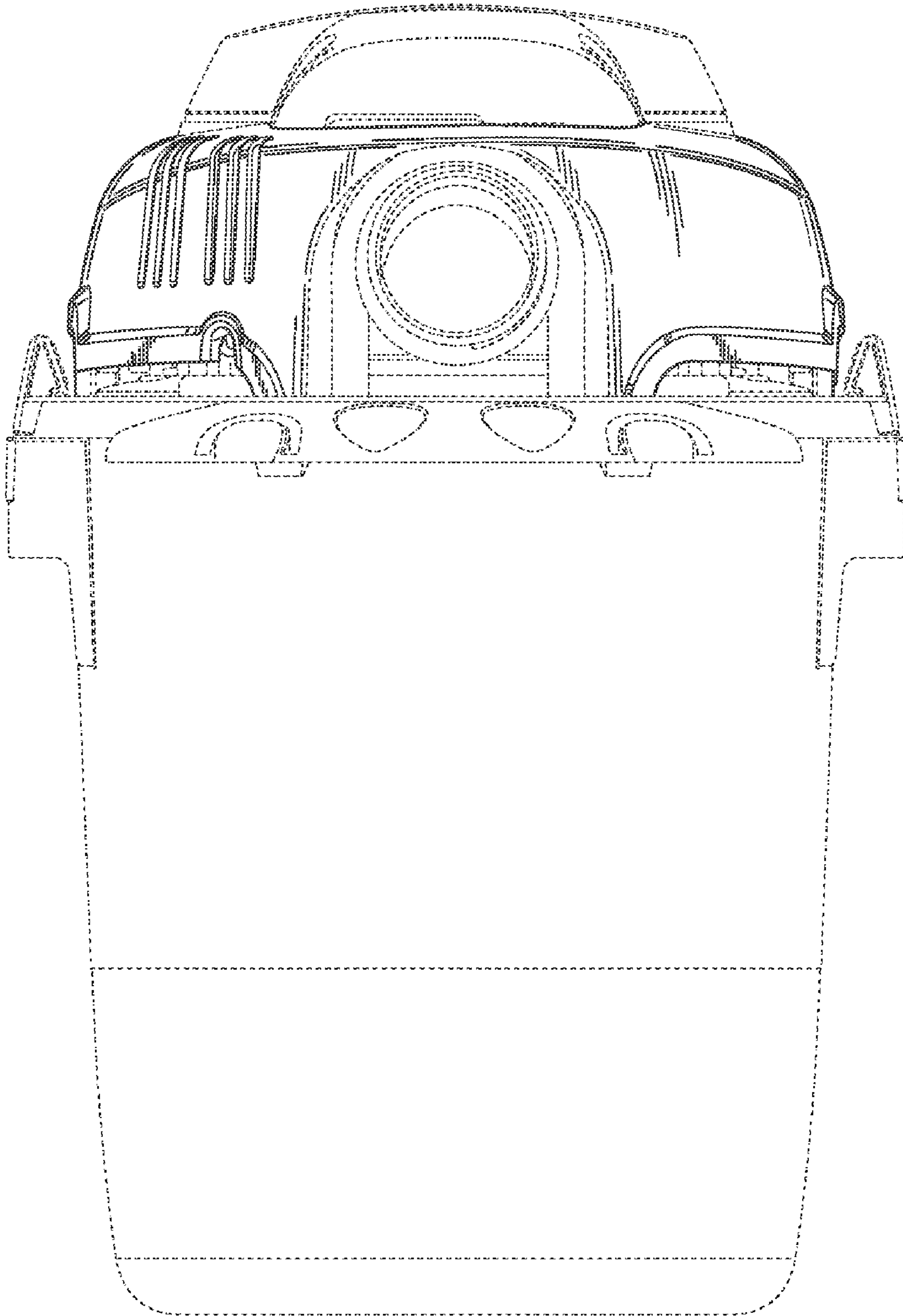


FIG. 4

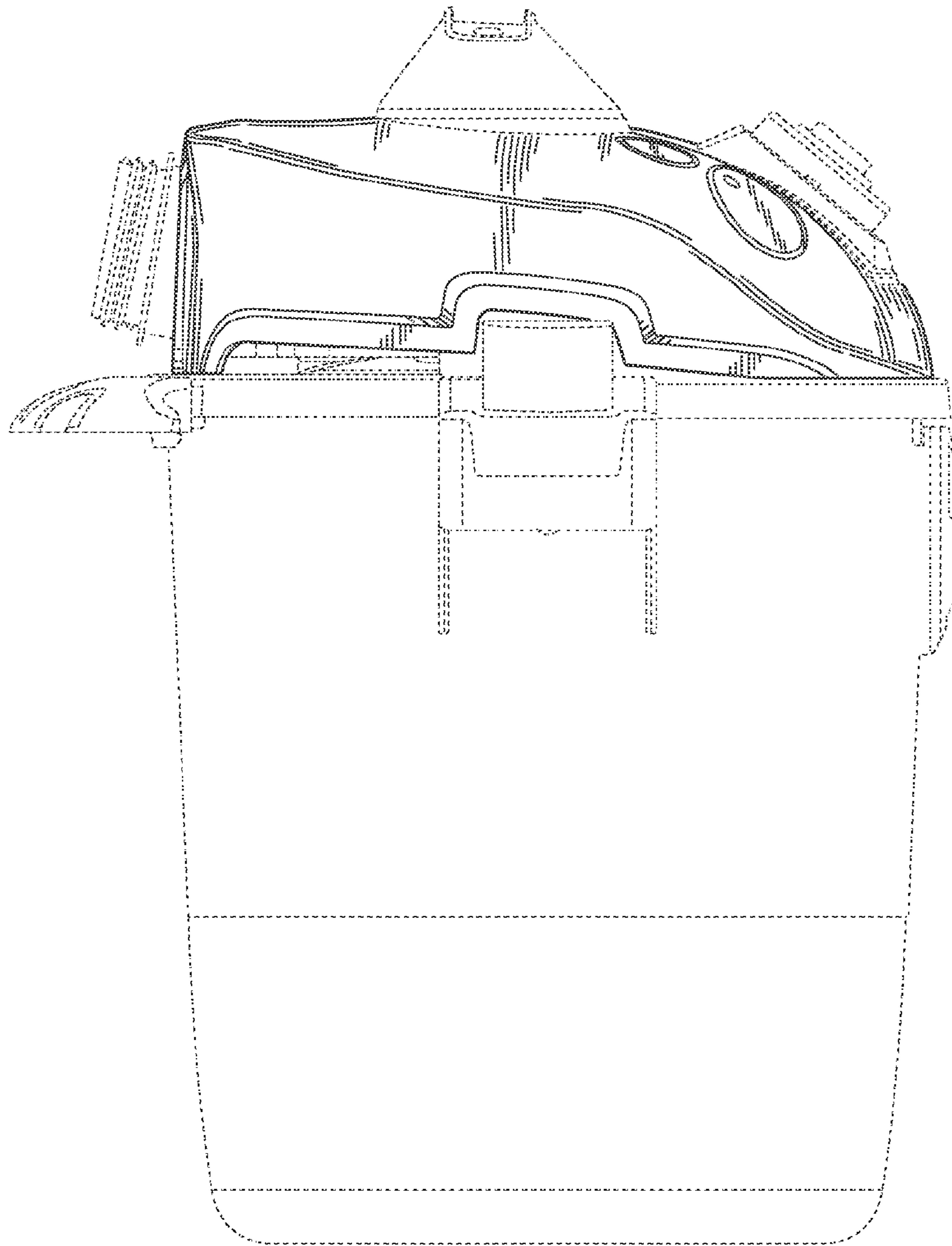


FIG. 5

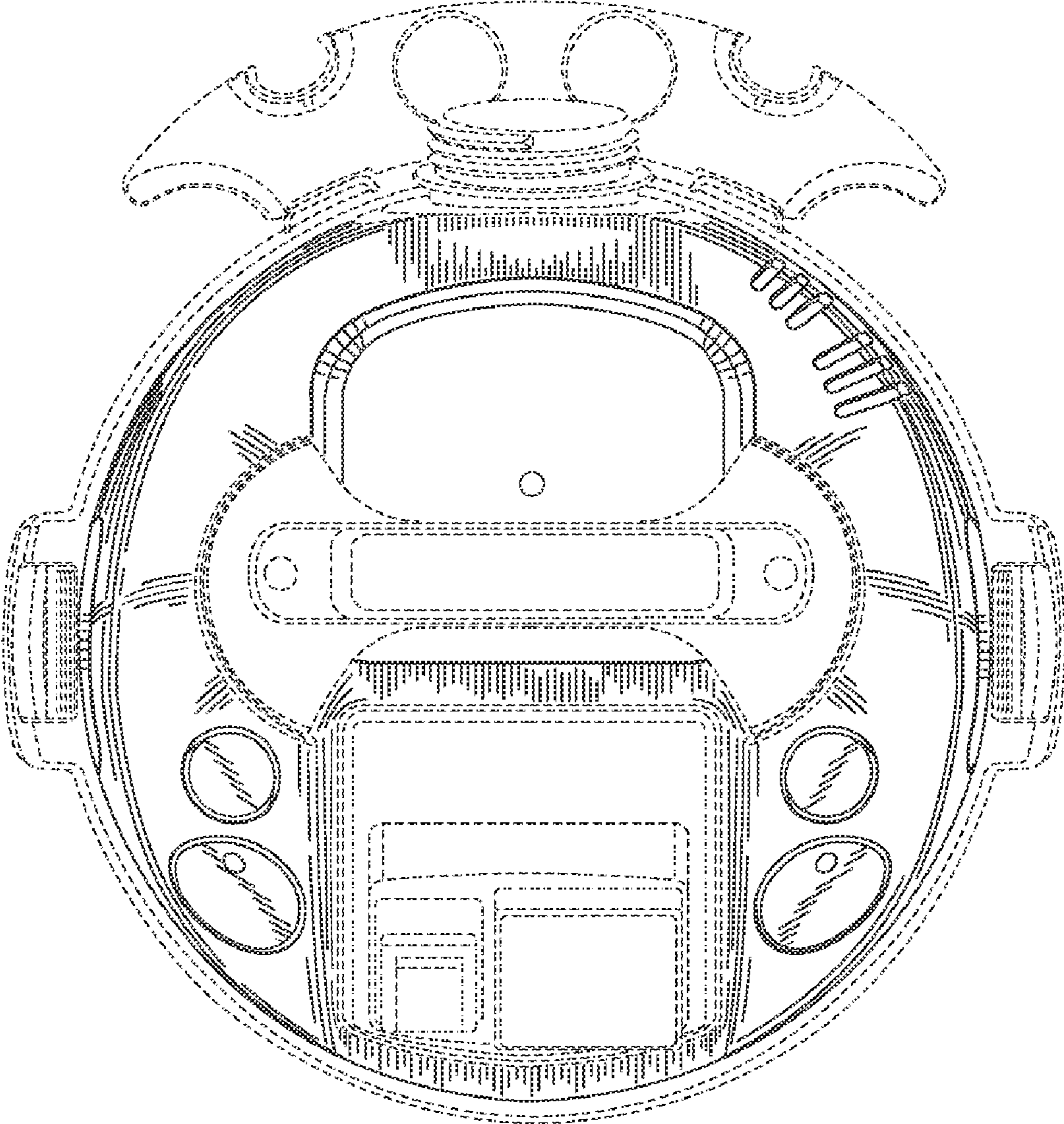


FIG. 6