

US00D640023S

(12) **United States Design Patent**
Bixby et al.

(10) **Patent No.:** **US D640,023 S**
(45) **Date of Patent:** **** Jun. 14, 2011**

(54) **APPLIANCE DOOR**

(75) Inventors: **Seth E. Bixby**, Stevensville, MI (US);
Jeffrey M. Browne, Chicago, IL (US);
Jeong J. Jun, Stevensville, MI (US)

(73) Assignee: **Whirlpool Corporation**, Benton Harbor, MI (US)

(**) Term: **14 Years**

(21) Appl. No.: **29/346,821**

(22) Filed: **Nov. 6, 2009**

(51) **LOC (9) Cl.** **15-05**

(52) **U.S. Cl.** **D32/25**

(58) **Field of Classification Search** D32/6,
D32/8, 5, 10, 1, 9, 25; 68/3 R, 5 R, 12.01,
68/212; 34/523-524; 312/31

See application file for complete search history.

(56) **References Cited**

U.S. PATENT DOCUMENTS

D457,991	S	*	5/2002	Baldwin et al.	D32/6
D459,844	S	*	7/2002	Baldwin et al.	D32/6
D523,595	S	*	6/2006	Carey et al.	D32/6
D524,001	S	*	6/2006	Carey et al.	D32/6
D542,987	S	*	5/2007	Crookshanks	D32/6
D544,157	S	*	6/2007	Crookshanks	D32/25
D553,309	S		10/2007	Revolchini et al.		

D572,419	S	*	7/2008	Park et al.	D32/6
D576,362	S	*	9/2008	Park et al.	D32/6
D592,367	S	*	5/2009	Crookshanks	D32/25

OTHER PUBLICATIONS

<http://www.electroluxappliances.com/node46.aspx?categoryid=1317&productid=18631>.

* cited by examiner

Primary Examiner — T. Chase Nelson
Assistant Examiner — Kathleen M Sims

(74) *Attorney, Agent, or Firm* — Tara M. Hartman; Barnes & Thornberg, LLP

(57) **CLAIM**

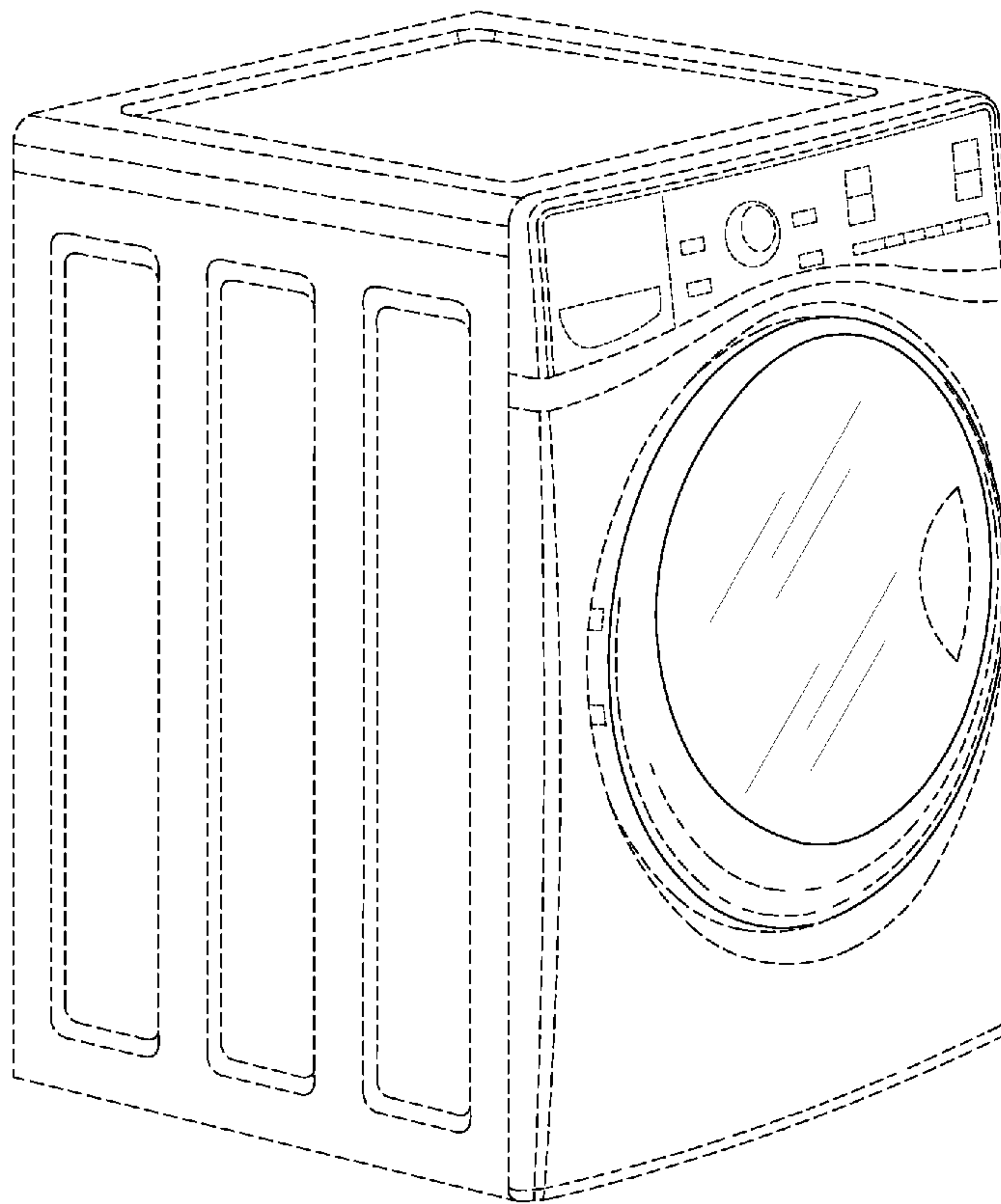
We claim the ornamental design for an appliance door, as shown and described.

DESCRIPTION

FIG. 1 is a front perspective view of the appliance door showing our new design;
FIG. 2 is a front elevational view thereof;
FIG. 3 is a side elevational view thereof;
FIG. 4 is an opposite side elevational view thereof;
FIG. 5 is the top plan view thereof; and,
FIG. 6 is the bottom plan view thereof.

The rear elevational view is not shown and forms no part of the claimed design. The portion shown in broken lines is for illustrative purposes only and forms no part of the claimed design.

1 Claim, 6 Drawing Sheets



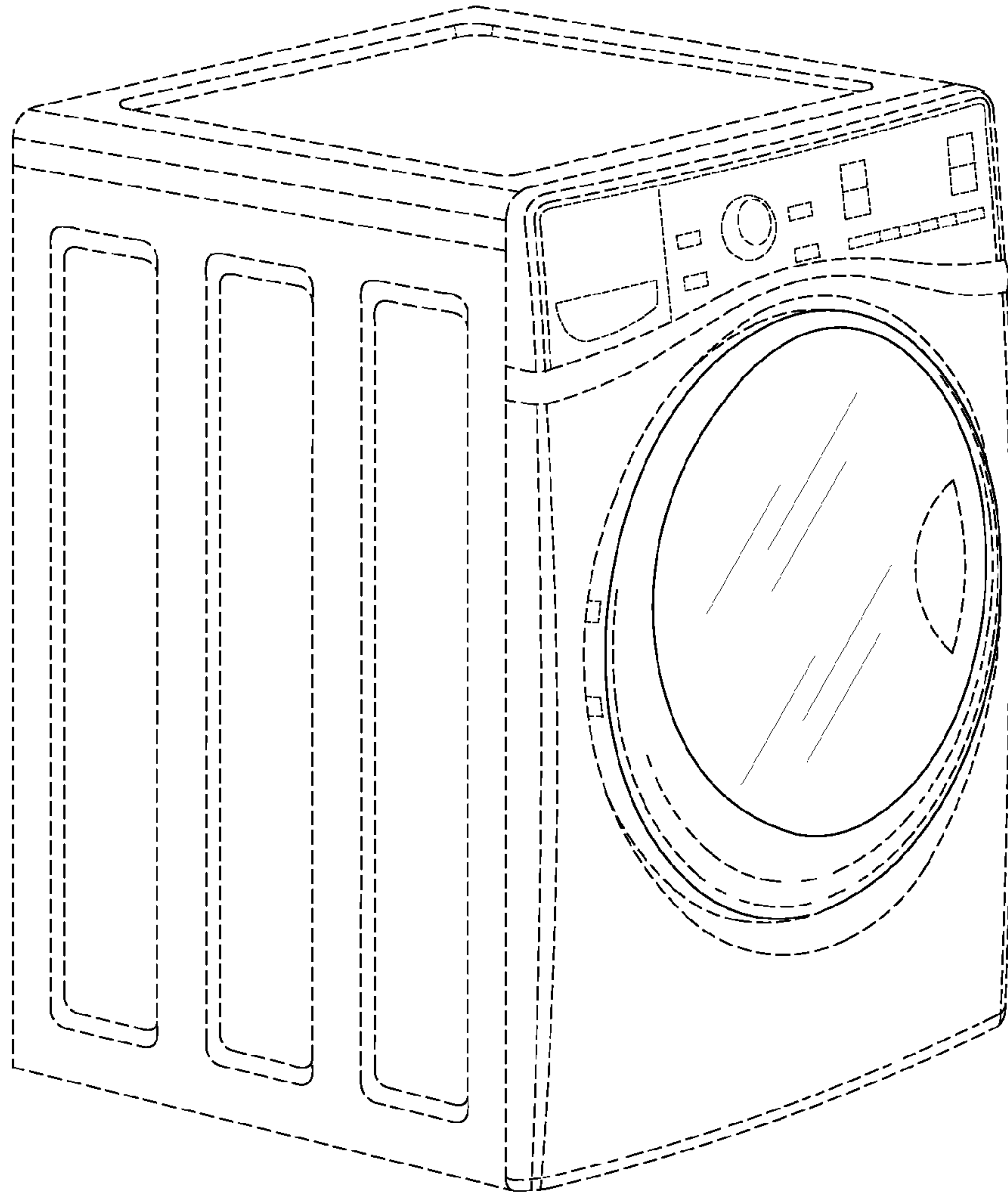


Fig. 1

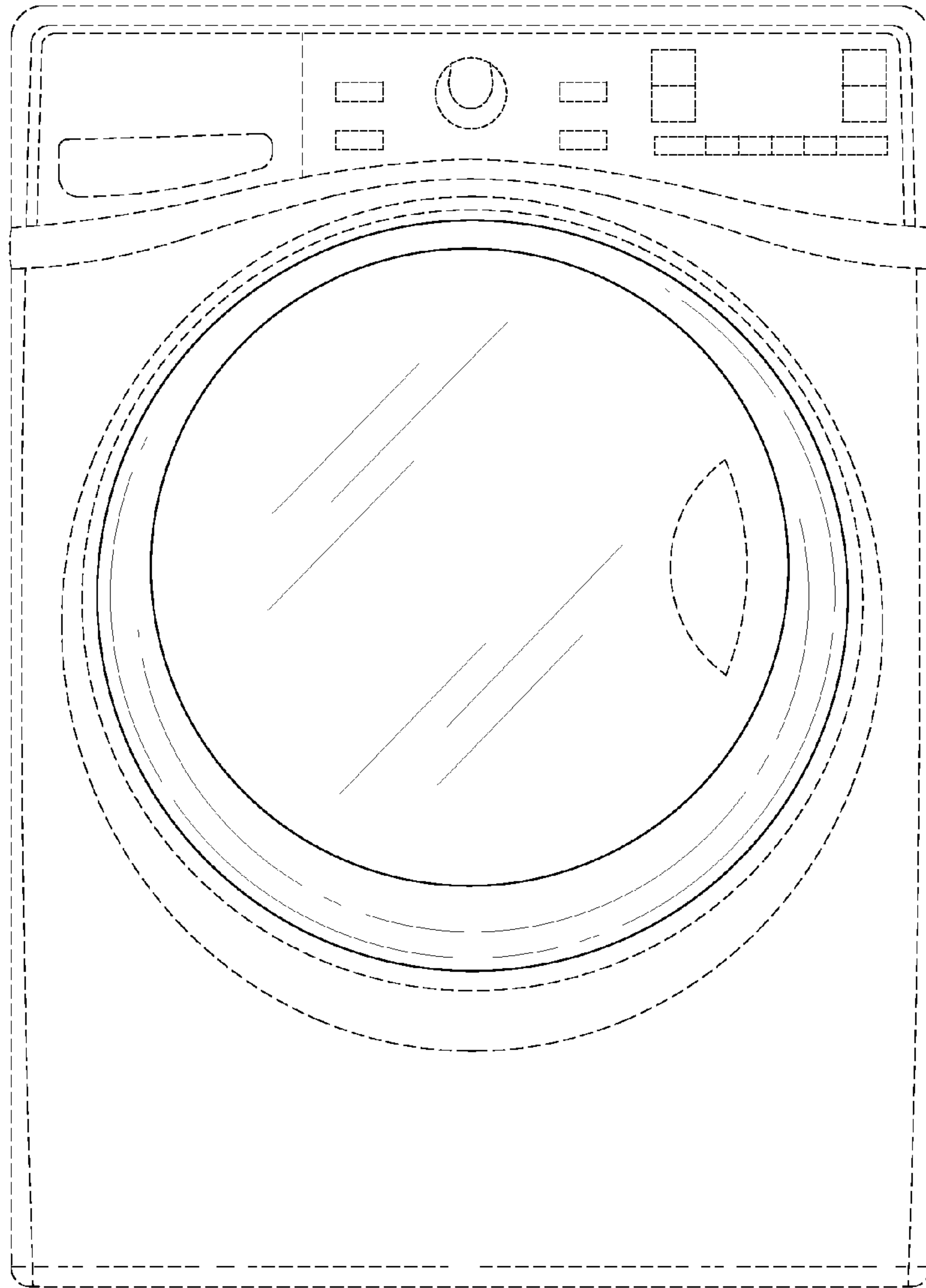


Fig. 2

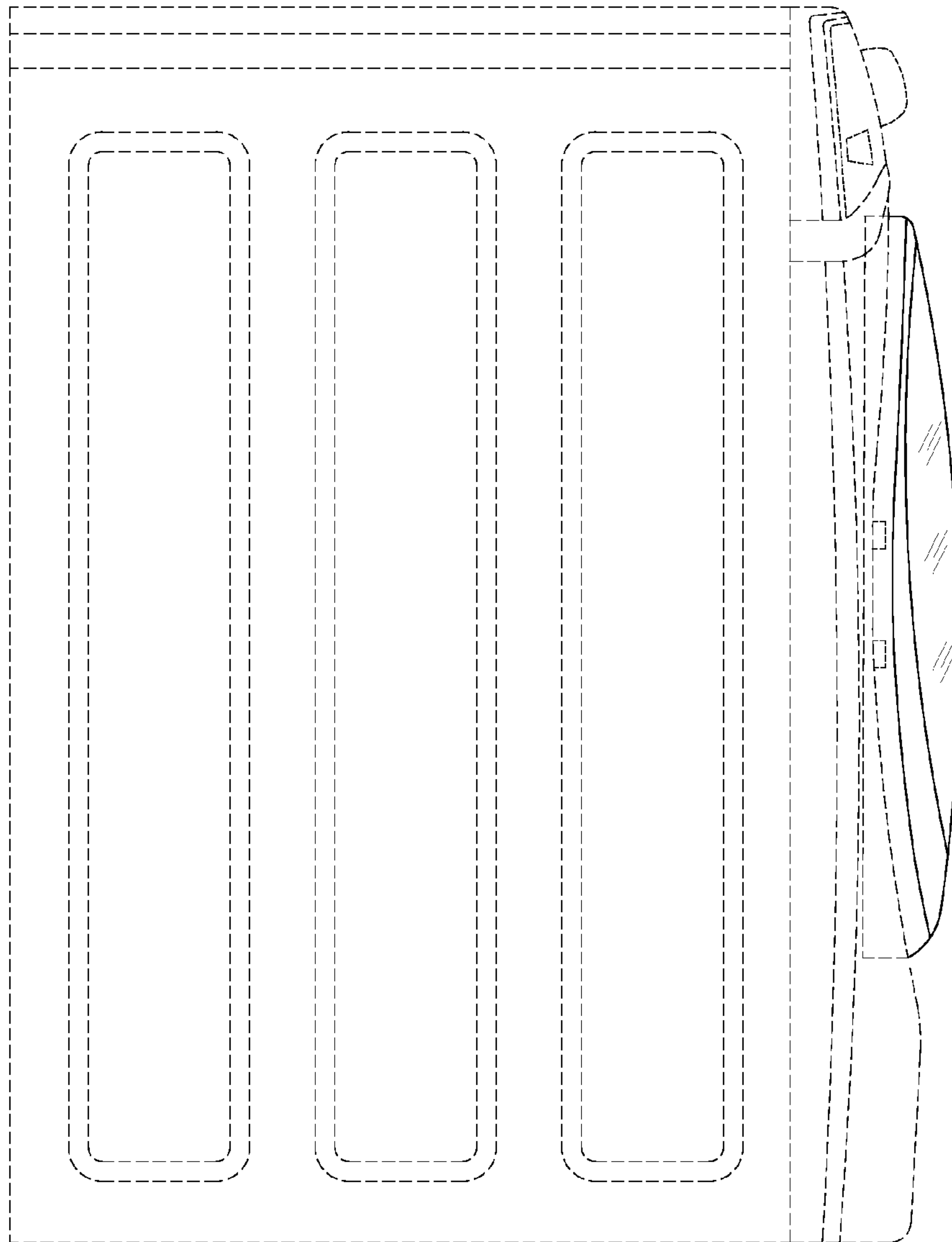


Fig. 3

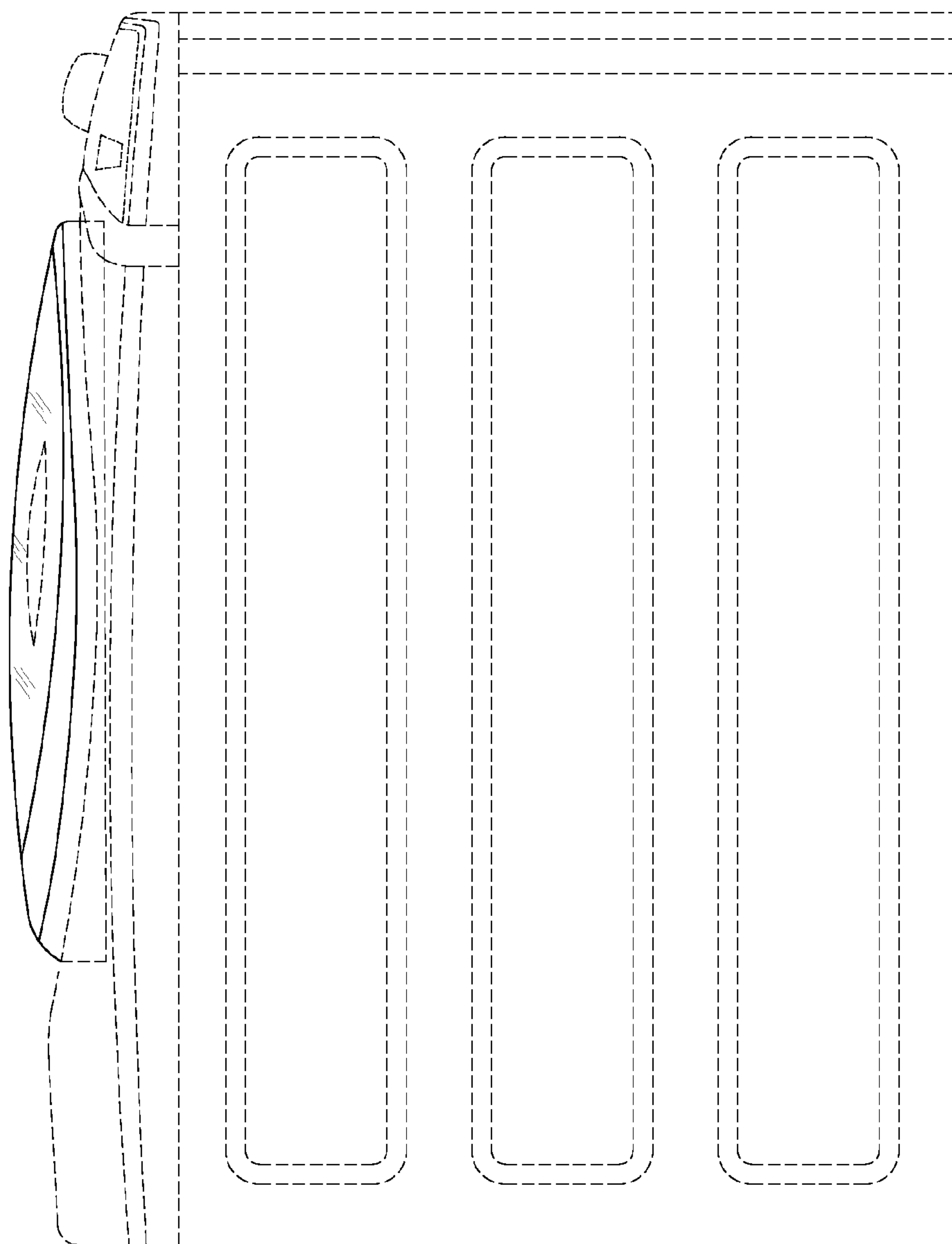


Fig. 4

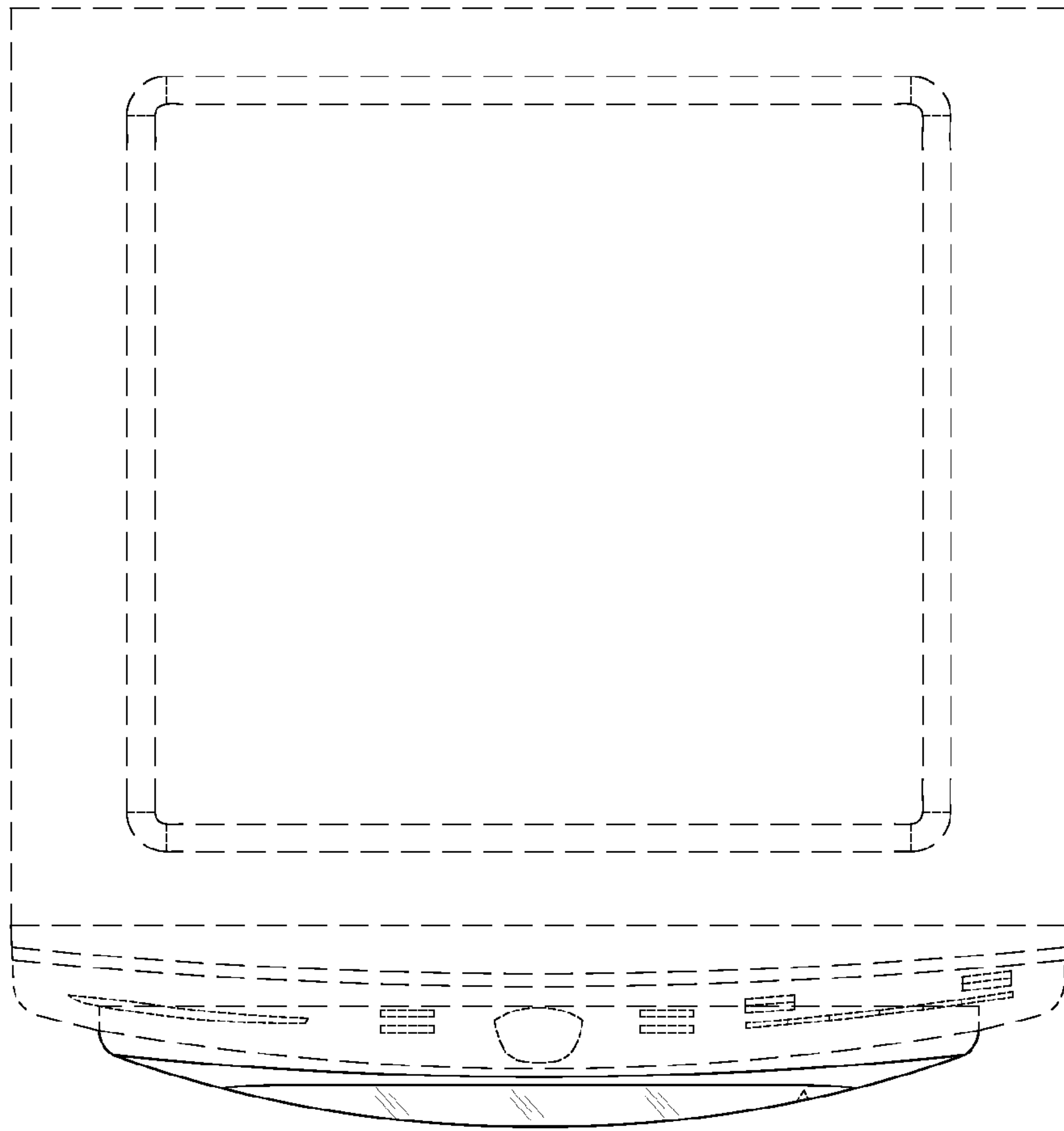


Fig. 5

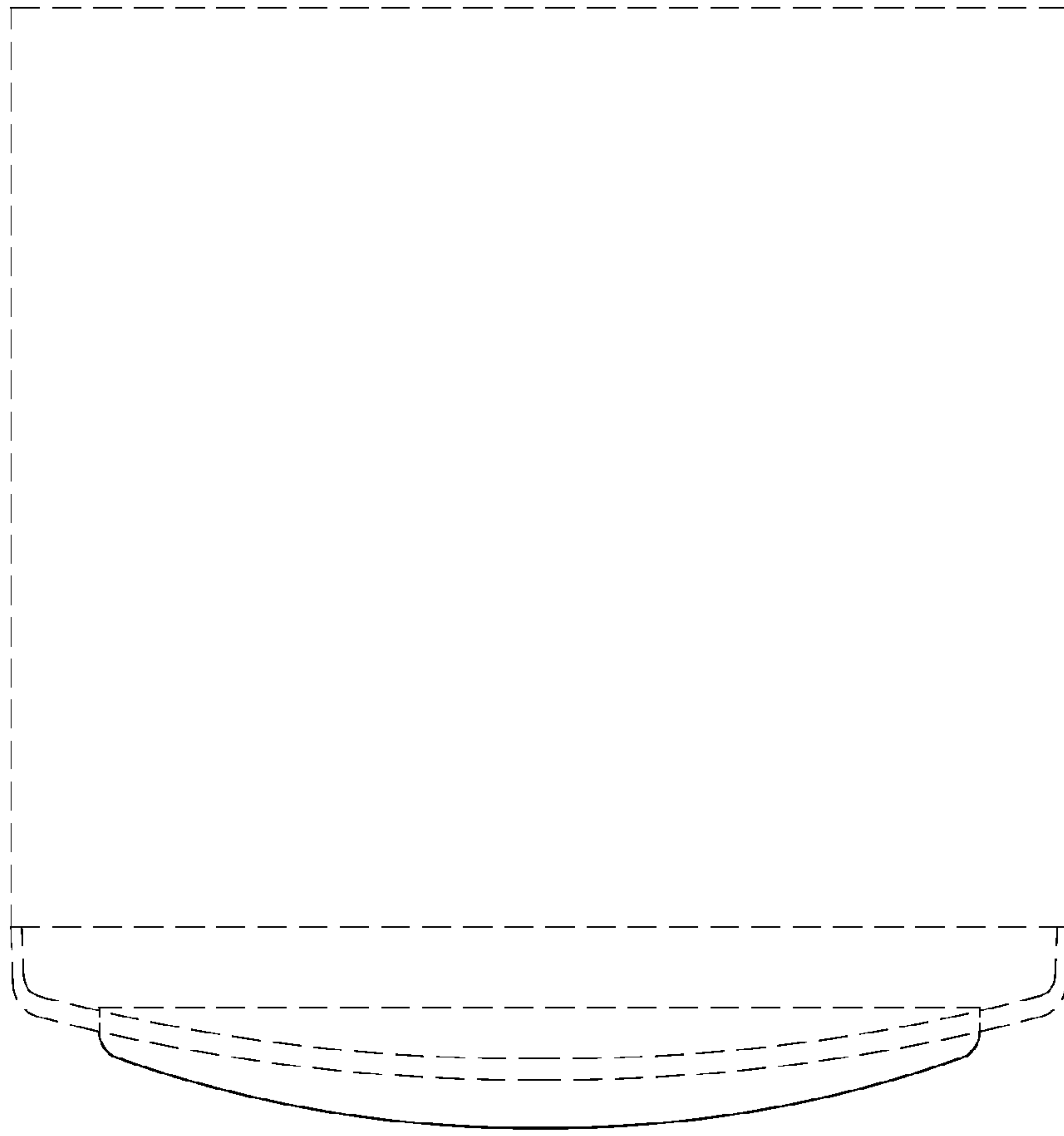


Fig. 6