



US00D640022S

(12) **United States Design Patent**  
**Paterson et al.**

(10) **Patent No.:** **US D640,022 S**  
(45) **Date of Patent:** **\*\* Jun. 14, 2011**

(54) **PORTABLE CANISTER VACUUM**  
(75) Inventors: **Christopher M. Paterson**, Franklin, TN (US); **Ernest Matthew Chavana, Jr.**, Cookeville, TN (US); **Victor Brent McClearen**, Cookeville, TN (US)

(73) Assignee: **Oreck Holdings LLC**, Nashville, TN (US)

(\*\*) Term: **14 Years**

(21) Appl. No.: **29/357,161**

(22) Filed: **Mar. 8, 2010**

(51) **LOC (9) Cl.** ..... **15-05**

(52) **U.S. Cl.** ..... **D32/21**

(58) **Field of Classification Search** ..... D32/21, D32/23-24, 31; 15/327.1, 327.2, 327.6, 15/327.7, 344, 353, 320-321, 301-302, 312.1, 15/314-315; 55/DIG. 3, DIG. 8  
See application file for complete search history.

(56) **References Cited**

**U.S. PATENT DOCUMENTS**

D325,453 S \* 4/1992 Tsuge ..... D32/21  
D435,322 S \* 12/2000 DeBlasis et al. .... D32/21  
6,175,988 B1 \* 1/2001 White et al. .... 15/327.1

D496,764 S \* 9/2004 Lopano ..... D32/21  
D520,197 S \* 5/2006 Wang ..... D32/21  
D549,406 S \* 8/2007 Rosenzweig ..... D32/17  
D549,904 S \* 8/2007 Eccardt et al. .... D32/21  
D564,154 S \* 3/2008 Hollis et al. .... D32/21  
D581,113 S \* 11/2008 Hoshino et al. .... D32/21  
D620,210 S \* 7/2010 Franzino et al. .... D32/23

\* cited by examiner

*Primary Examiner* — Ruth McInroy

(74) *Attorney, Agent, or Firm* — Winston & Strawn LLP

(57) **CLAIM**

We claim the ornamental design for a portable canister vacuum, as shown and described.

**DESCRIPTION**

FIG. 1 is a front perspective view of a portable canister vacuum showing our new design; FIG. 2 is a front view thereof; FIG. 3 is a right side view thereof; FIG. 4 is a rear view thereof; FIG. 5 is a left side view thereof; FIG. 6 is a top view thereof; and, FIG. 7 is a bottom view thereof. The electric cord shown broken away in FIGS. 1-4, 6 and 7 is understood to represent indeterminate length.

**1 Claim, 7 Drawing Sheets**

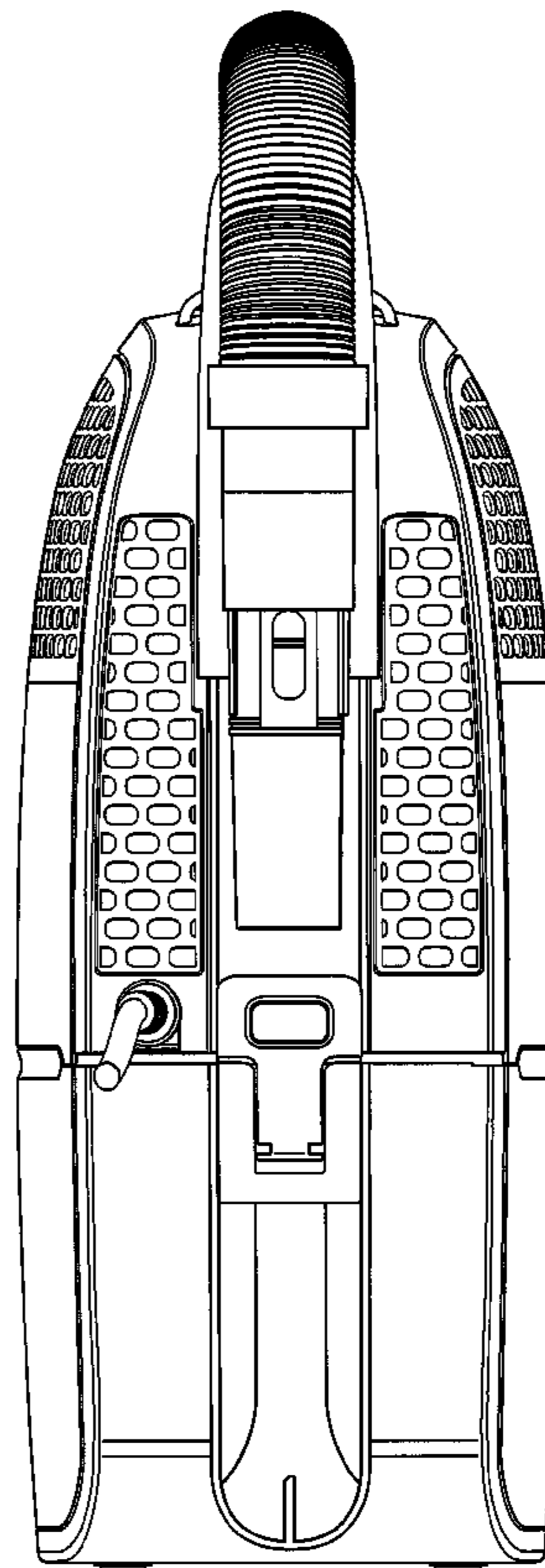
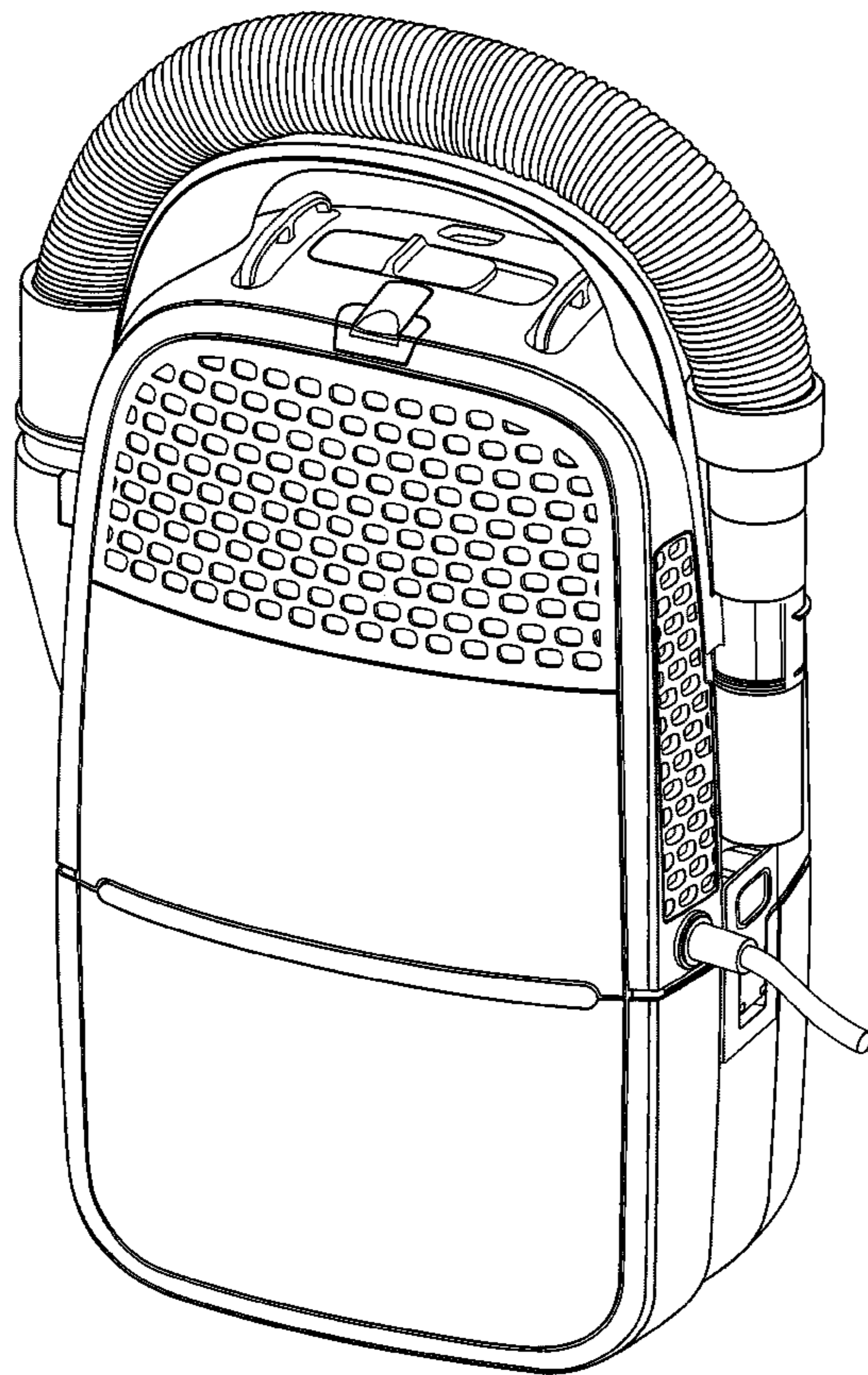


Fig. 1

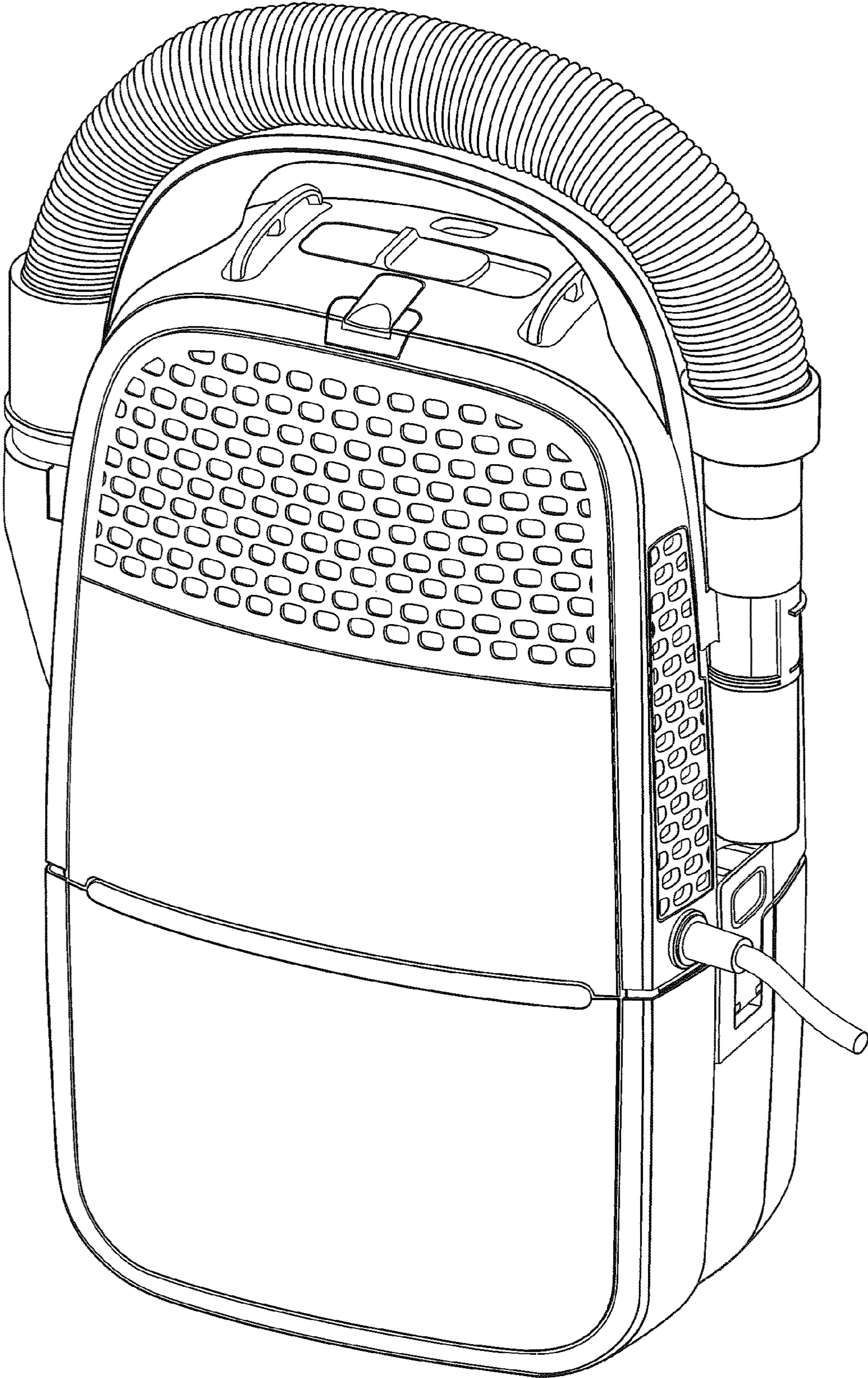


Fig. 2

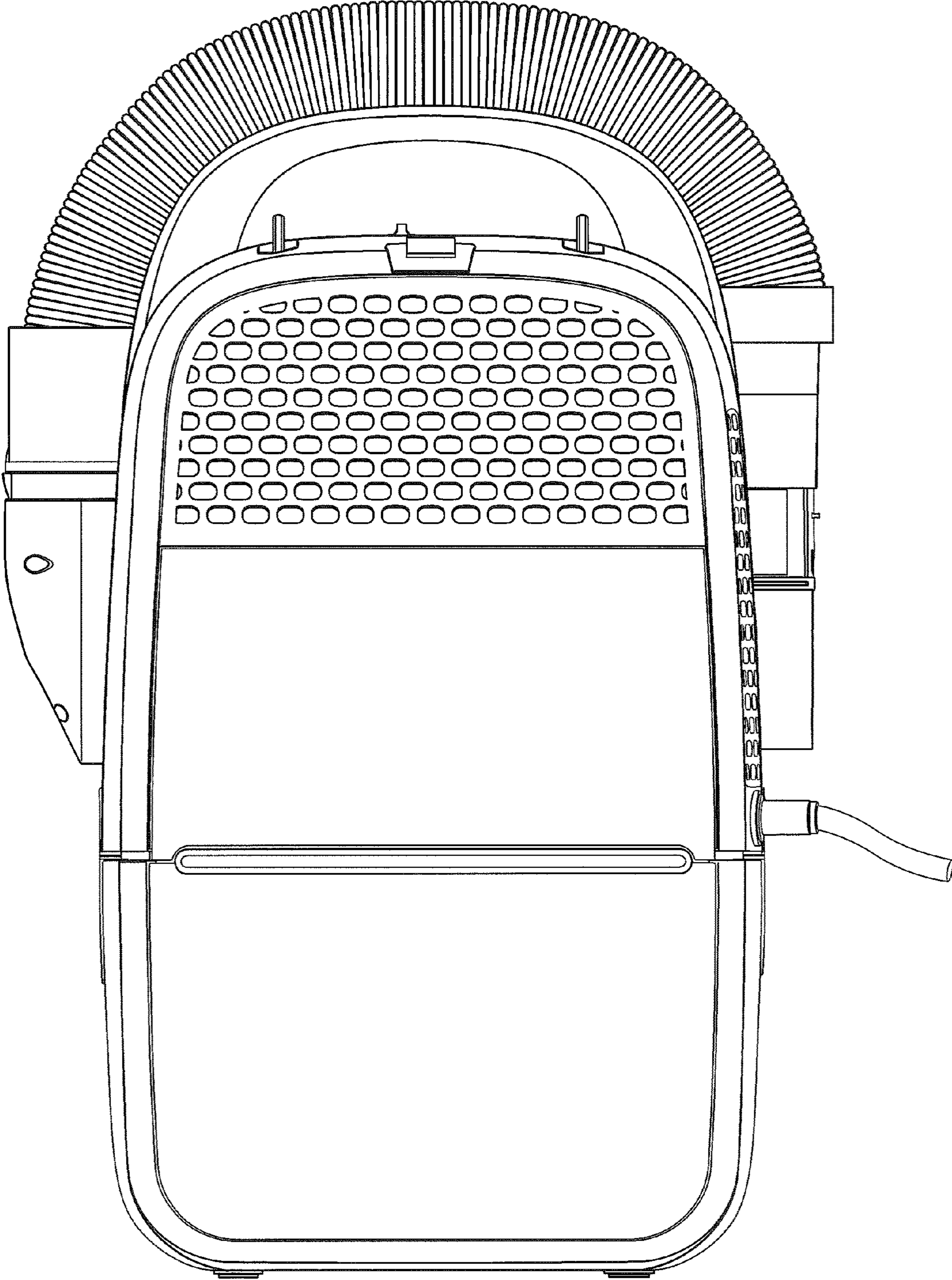


Fig. 3

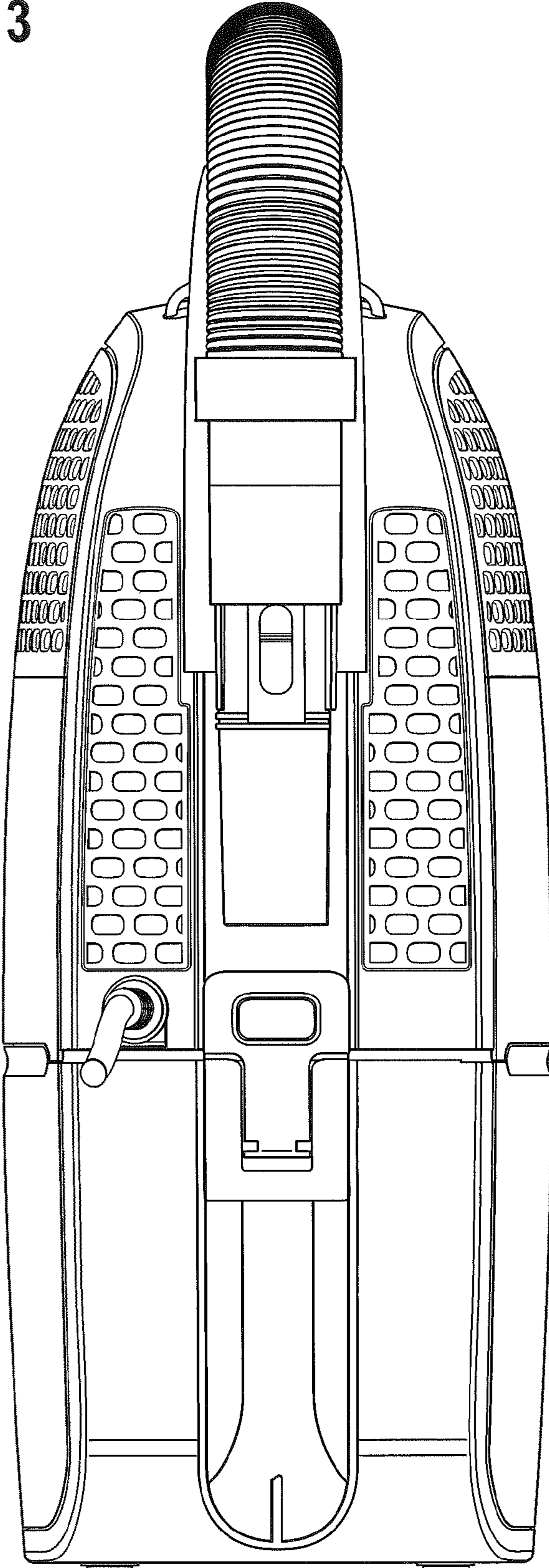


Fig. 4

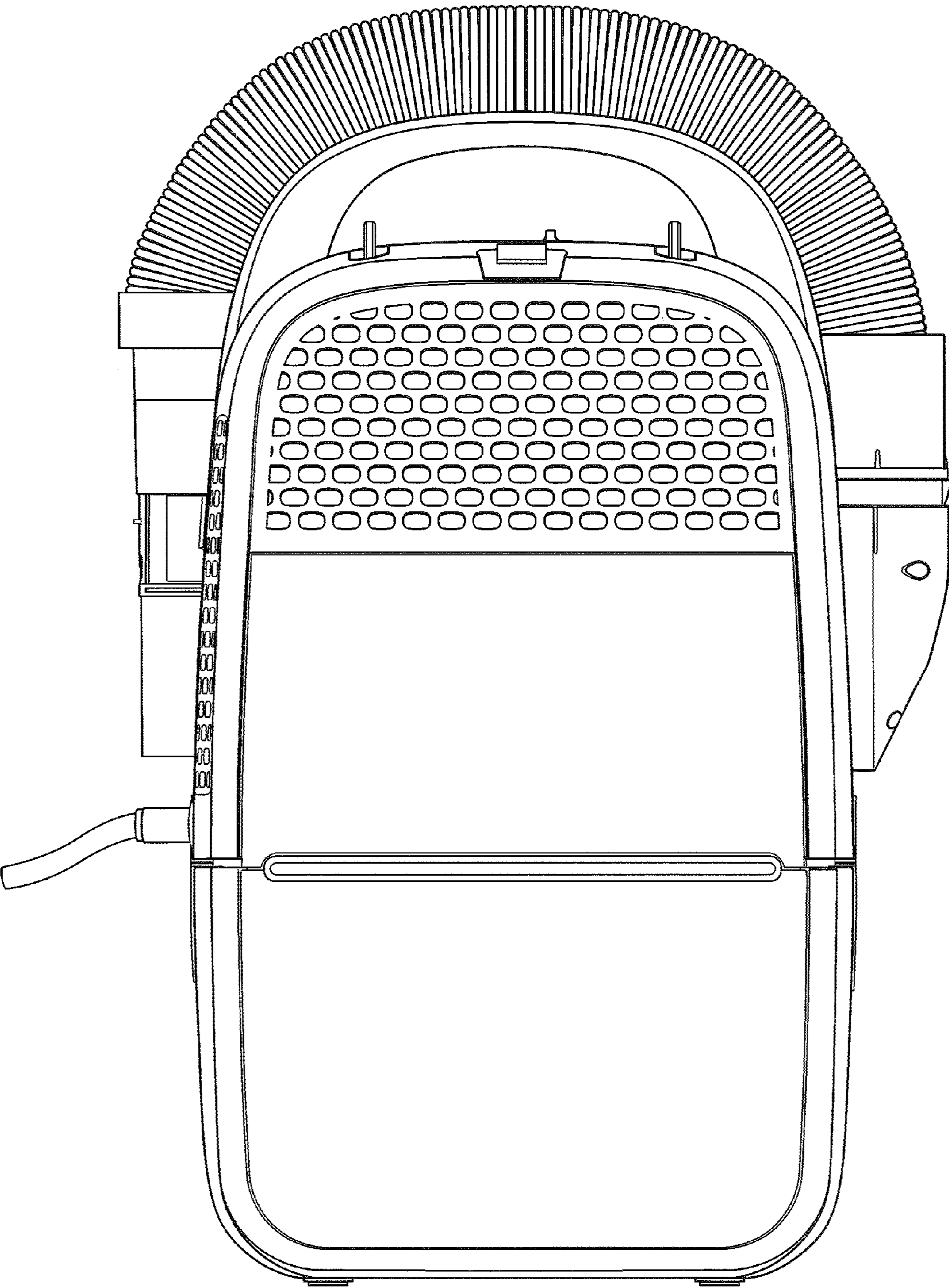


Fig. 5

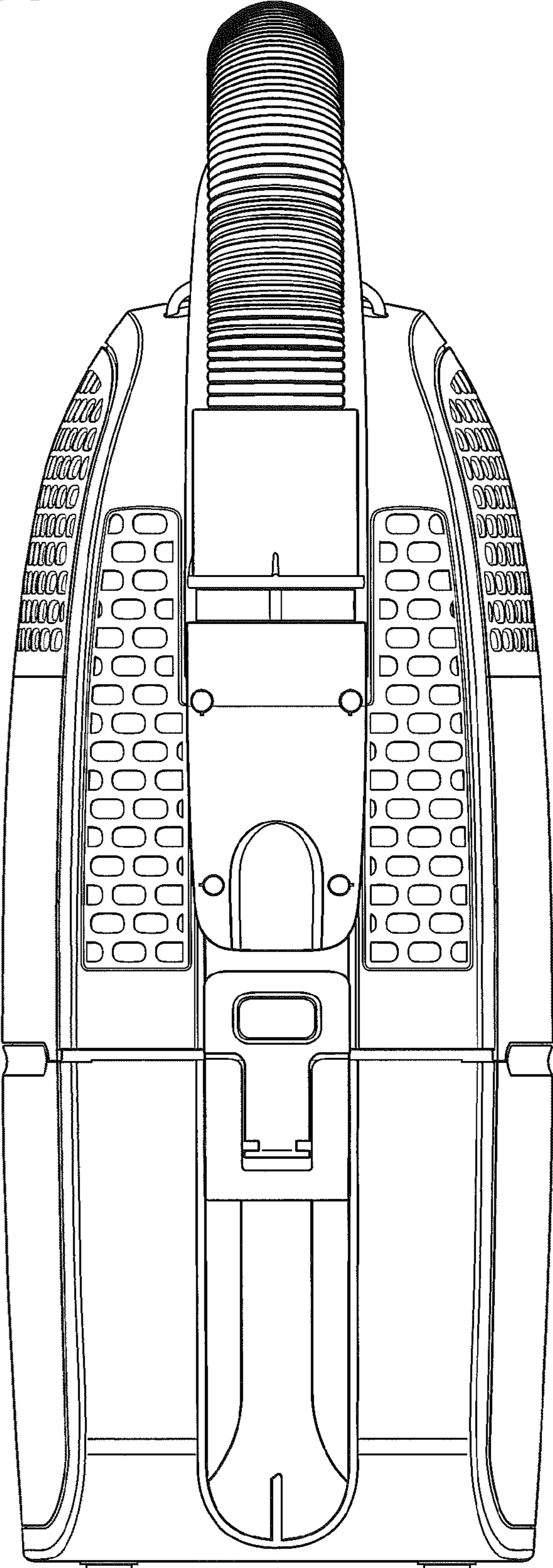


Fig. 6

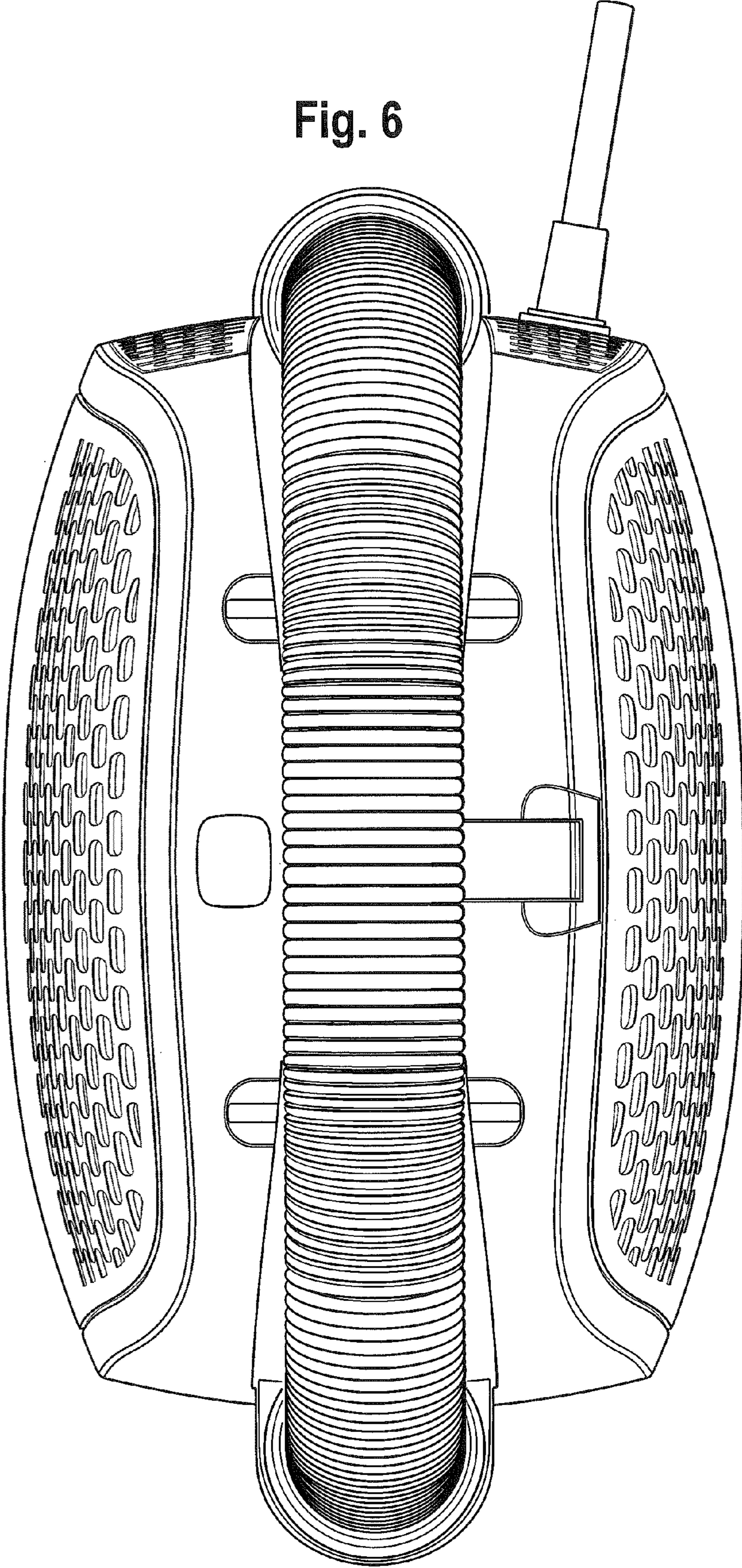


Fig. 7

