



US00D640019S

(12) **United States Design Patent**
Rutherford et al.

(10) **Patent No.:** **US D640,019 S**
(45) **Date of Patent:** **** Jun. 14, 2011**

- (54) **PET TOY**
- (75) Inventors: **Ryan Rutherford**, Belleville, NJ (US);
Norman Anderson, Brooklyn, NY (US)
- (73) Assignee: **J. W. Pet Company, Inc.**, Teterboro, NJ
(US)
- (**) Term: **14 Years**
- (21) Appl. No.: **29/377,139**
- (22) Filed: **Oct. 18, 2010**

- D252,386 S 7/1979 Onderdonk
- D258,902 S 4/1981 Strickland
- 4,321,888 A 3/1982 Topliffe
- 4,356,915 A 11/1982 Phillips
- D272,550 S 2/1984 Esposti
- D272,579 S 2/1984 Snyder
- D277,216 S 1/1985 Paczko
- 4,517,922 A 5/1985 Lind
- 4,577,590 A 3/1986 Skroch
- 4,593,911 A 6/1986 Cory
- 4,611,556 A * 9/1986 Frank 119/706
- 4,616,834 A 10/1986 Davis
- D295,798 S 5/1988 Boelke
- D295,995 S 5/1988 Ryland
- D306,454 S 3/1990 Kanamori

(Continued)

Related U.S. Application Data

- (62) Division of application No. 29/325,159, filed on Sep. 26, 2008, now Pat. No. Des. 631,619.
- (51) **LOC (9) Cl.** **30-99**
- (52) **U.S. Cl.** **D30/160**
- (58) **Field of Classification Search** D30/106,
D30/118, 119, 120, 133, 160, 199; D21/698,
D21/704, 707-709, 711, 576, 625, 621, 622;
119/207, 209, 211, 221, 247, 253, 256, 269,
119/467, 702, 705-711, 28.5
See application file for complete search history.

OTHER PUBLICATIONS

United States Office Action dated Sep. 7, 2010, from corresponding U.S. Appl. No. 29/325,159.

Primary Examiner — Robert M Spear
Assistant Examiner — Rashida C McCoy
(74) *Attorney, Agent, or Firm* — Katten Muchin Roseman LLP

(56) **References Cited**

U.S. PATENT DOCUMENTS

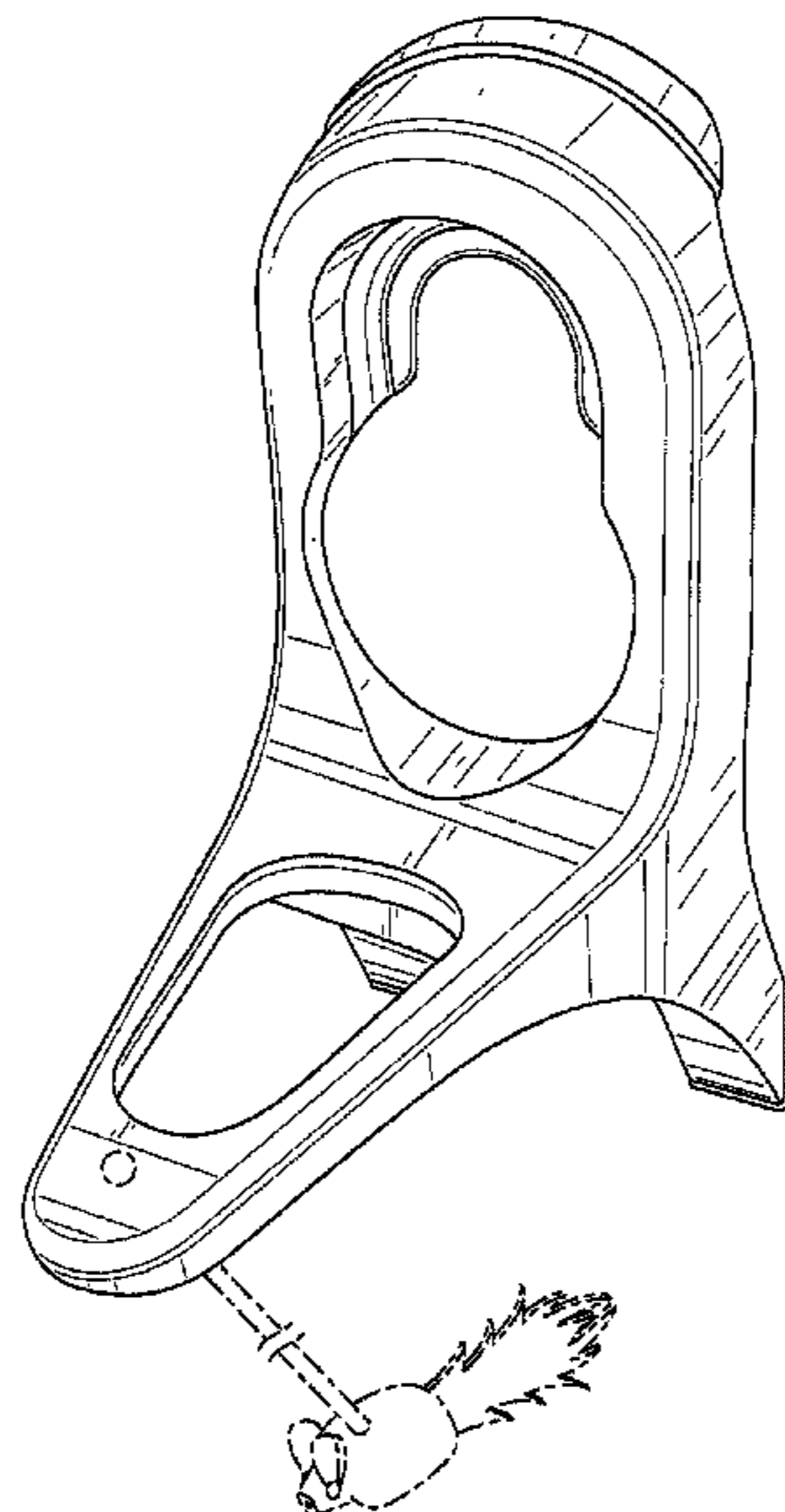
- 544,525 A 8/1895 Bartlett
- 1,483,165 A 2/1924 Eaton
- 1,534,954 A 4/1925 Holtz
- 1,699,308 A 1/1929 Postings
- 1,862,044 A 6/1932 White
- 2,096,078 A 10/1937 Windson
- 2,833,244 A 5/1958 Bohlman
- D191,496 S 10/1961 Damiani
- 3,085,551 A * 4/1963 Helmer 119/706
- 3,408,070 A 10/1968 Gonzales et al.
- 3,665,892 A 5/1972 Kusisto
- 3,716,029 A 2/1973 Pillsbury, Jr.
- 3,916,838 A * 11/1975 Swart 49/460

- (57) **CLAIM**
The ornamental design for a pet toy, as shown and described.

DESCRIPTION

FIG. 1 is a perspective view of a pet toy;
FIG. 2 is a front view thereof;
FIG. 3 is a rear view thereof;
FIG. 4 is a left side view thereof;
FIG. 5 is a right side view thereof;
FIG. 6 is a top view thereof; and,
FIG. 7 is a bottom view thereof.
The portions of the designs that are shown in broken lines do not form part of the claimed design.

1 Claim, 7 Drawing Sheets



US D640,019 S

Page 2

U.S. PATENT DOCUMENTS							
4,930,448	A	6/1990	Robinson	5,579,725	A	12/1996	Boshears
4,940,018	A	7/1990	Edling	D377,418	S	1/1997	Hendren
D314,455	S	2/1991	Morton	5,634,436	A	6/1997	Coombs et al.
D316,734	S	5/1991	Tak	5,657,721	A	8/1997	Mayfield et al.
D318,150	S	7/1991	Eitel et al.	5,675,225	A	10/1997	Moore et al.
5,038,703	A *	8/1991	Frush 116/170	5,778,825	A	7/1998	Krietzmen et al.
5,045,014	A	9/1991	Harkins	5,806,465	A	9/1998	Baiera et al.
5,103,770	A	4/1992	Berkovich	5,809,938	A	9/1998	Baiera et al.
5,111,771	A *	5/1992	Mathews 119/708	5,819,690	A	10/1998	Brown
5,119,001	A	6/1992	Moore et al.	5,823,844	A	10/1998	Markowitz
5,148,769	A	9/1992	Zelinger	5,875,737	A	3/1999	Boshears
5,216,978	A *	6/1993	Lovell 119/708	5,881,679	A	3/1999	Hann
D338,987	S	8/1993	Eroyan	D408,482	S	4/1999	Morrison
D340,489	S	10/1993	Evangelista	D411,357	S	6/1999	Baiera et al.
5,292,136	A	3/1994	Cline	5,924,387	A	7/1999	Schramer
5,314,369	A	5/1994	Gamble	6,016,771	A	1/2000	Baiera et al.
5,322,036	A	6/1994	Merino	D423,152	S	4/2000	Kelly
5,339,770	A	8/1994	Haffner	D426,036	S	5/2000	Willing et al.
5,379,552	A *	1/1995	Smith 49/460	D431,056	S	9/2000	Cuttillo et al.
D356,879	S	3/1995	O'Rourke	D496,413	S	9/2004	Weiser
D358,007	S	5/1995	Axelrod	D544,155	S *	6/2007	Lamstein et al. D30/160
5,480,143	A	1/1996	McMurry	D554,714	S	11/2007	Chow
5,517,948	A	5/1996	Udelle et al.	D563,059	S *	2/2008	Lamstein et al. D30/160
D373,859	S	9/1996	Markham et al.	7,373,902	B2 *	5/2008	Levan 119/702
5,575,241	A	11/1996	Line				

* cited by examiner

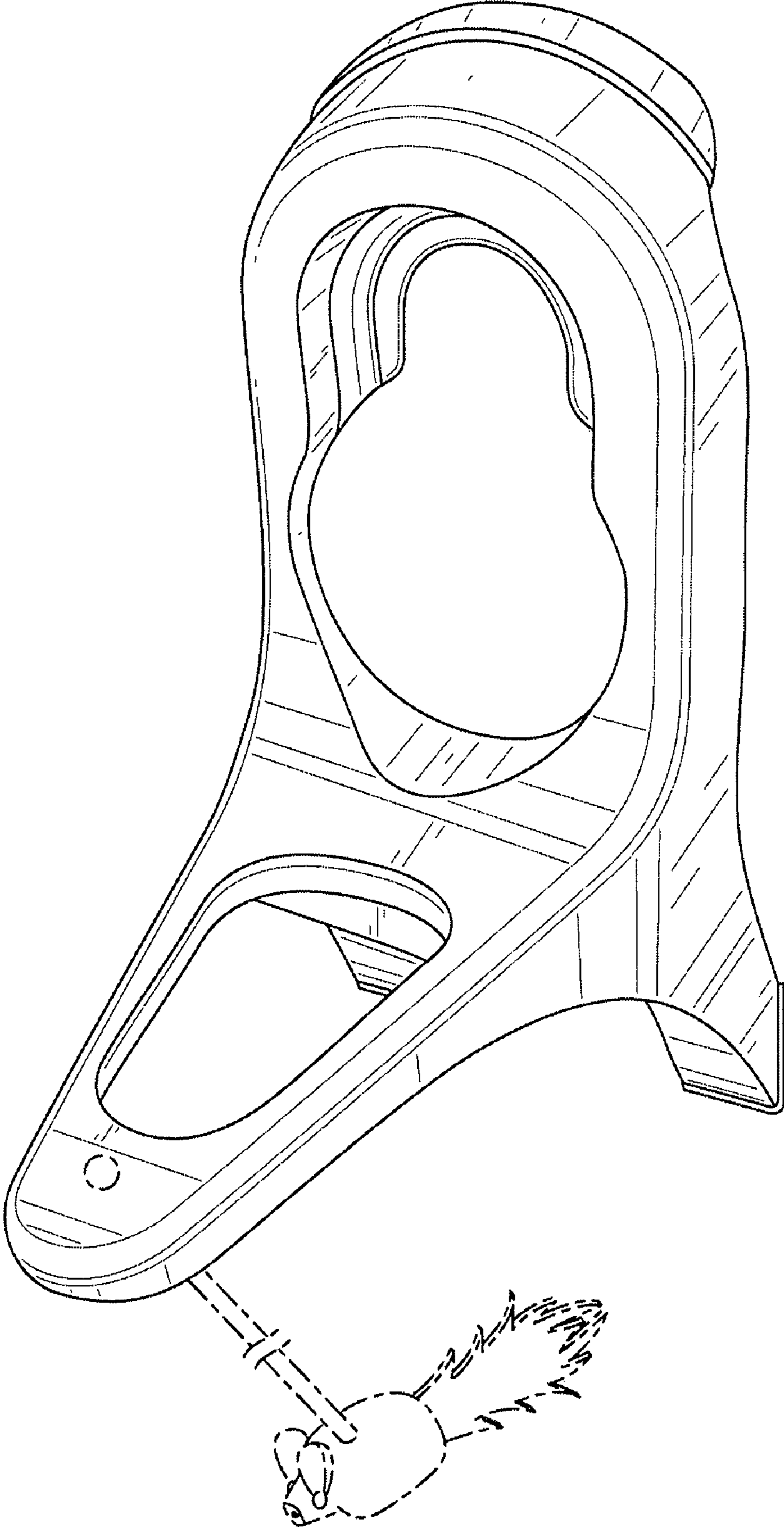


FIG. 1

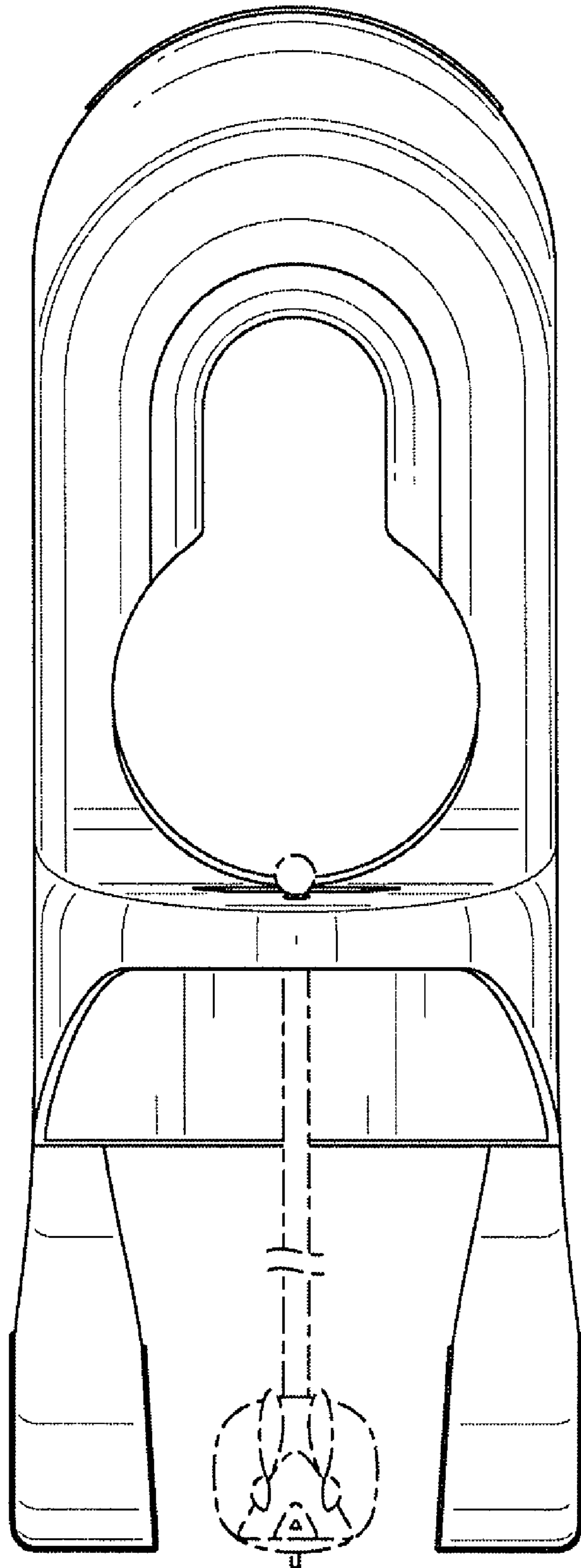


FIG. 2

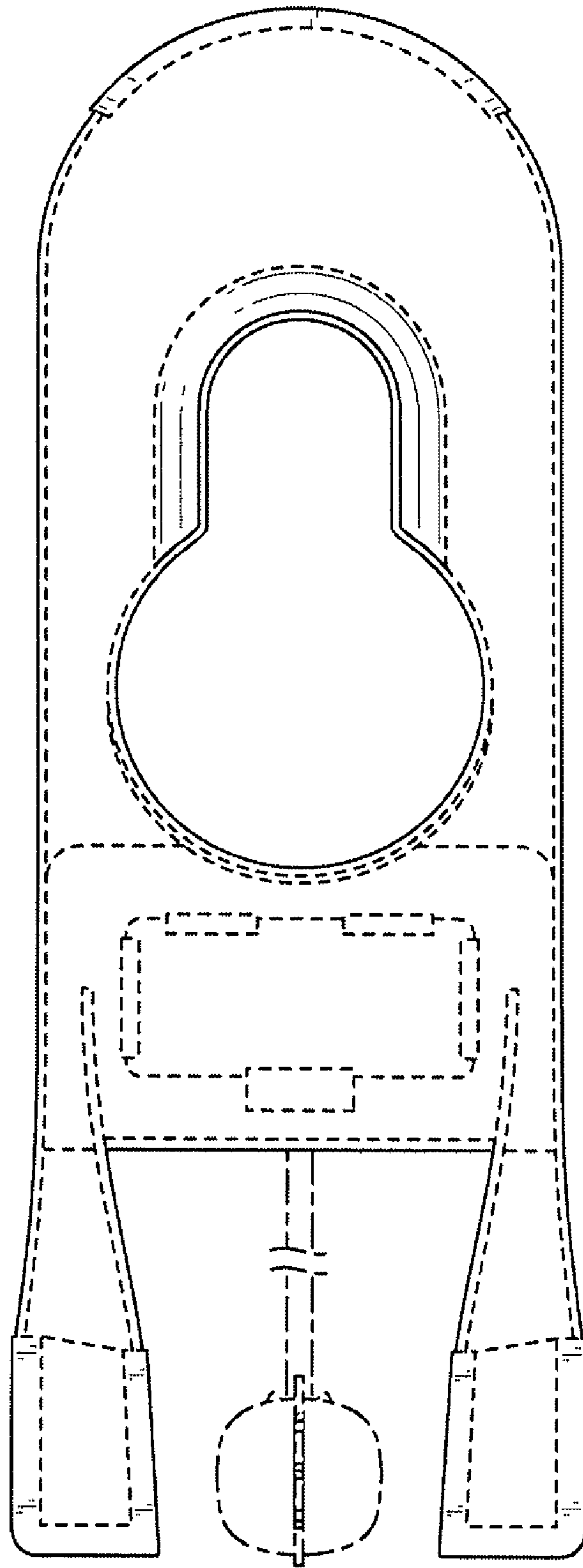


FIG. 3

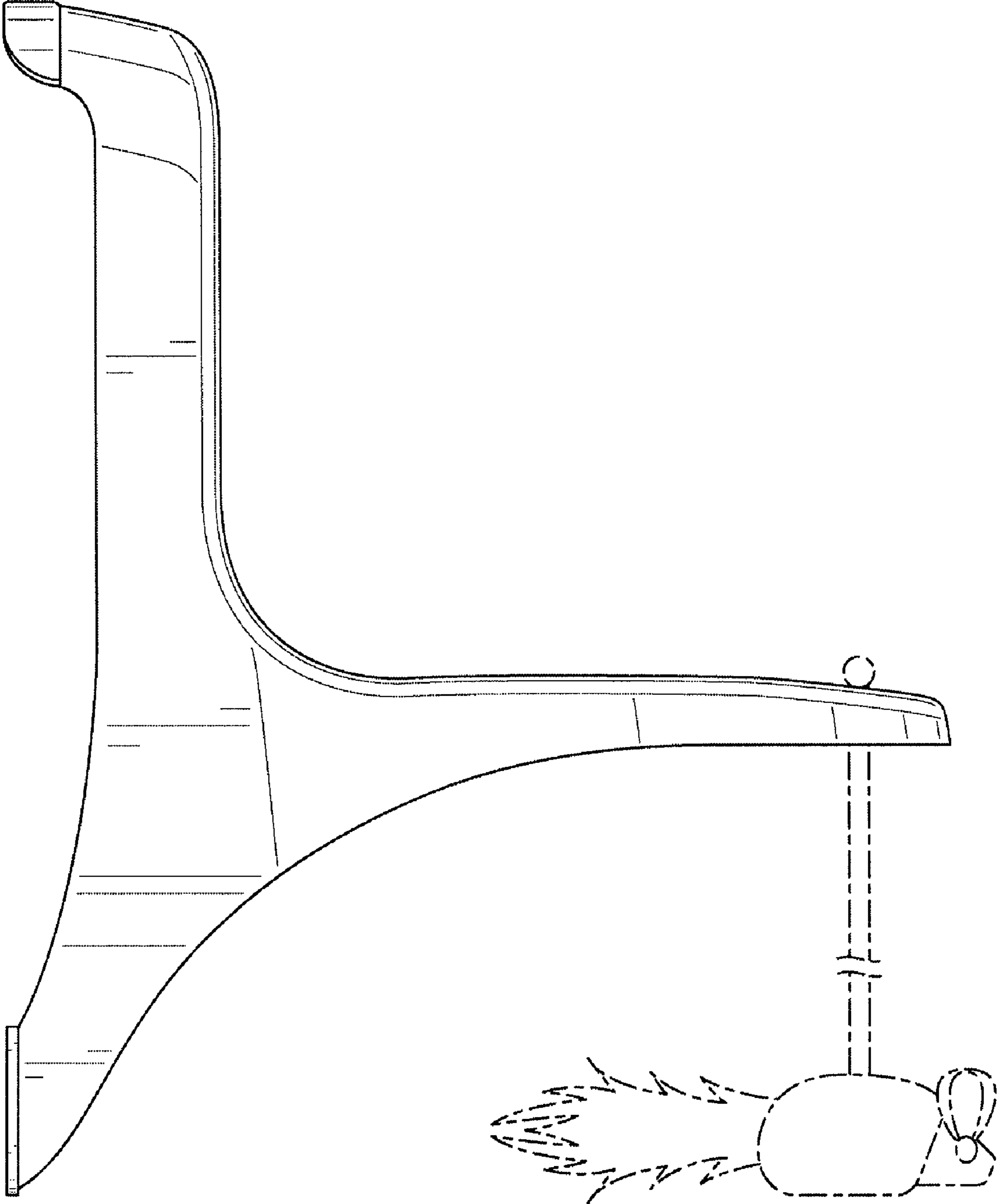


FIG. 4

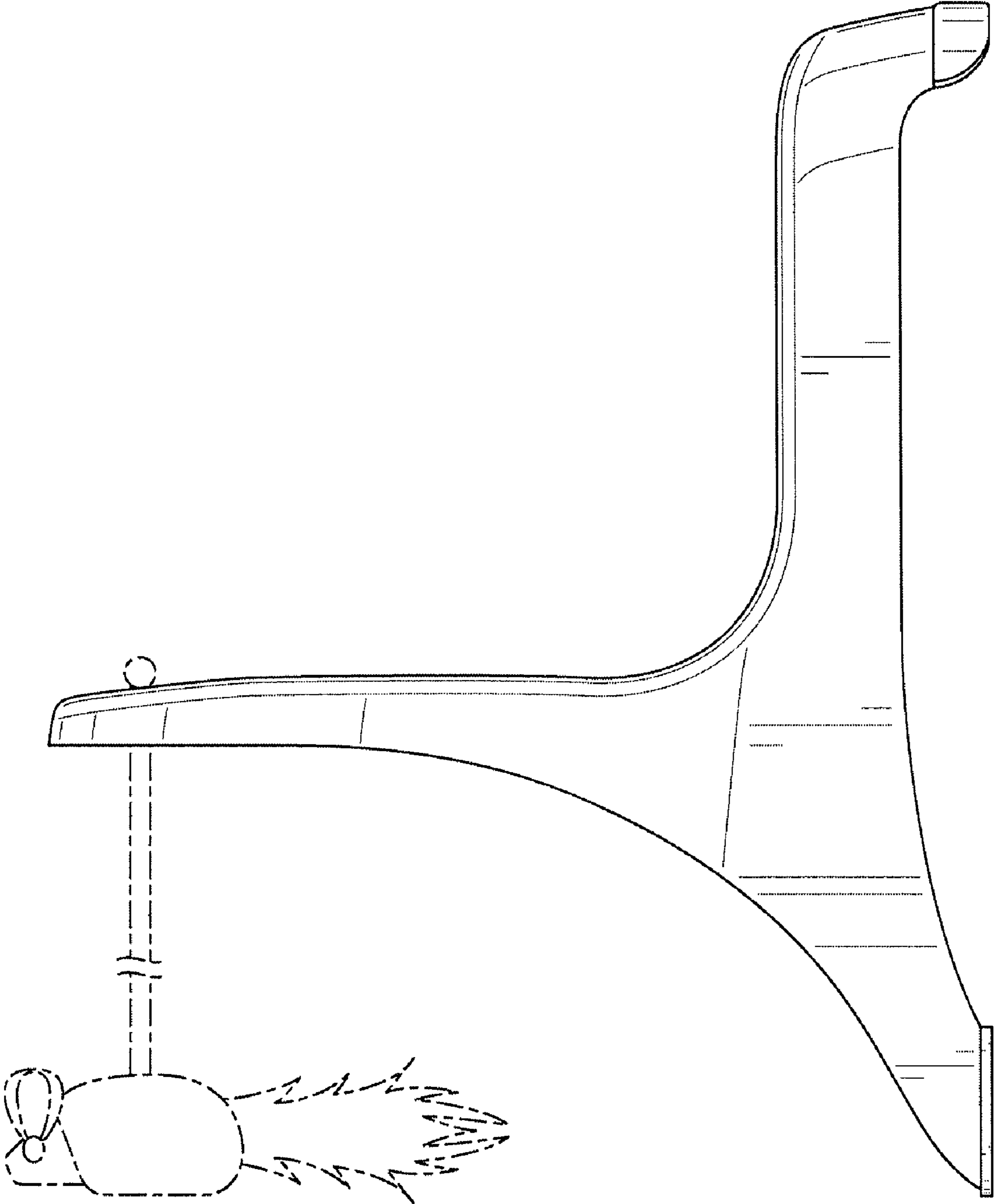


FIG. 5

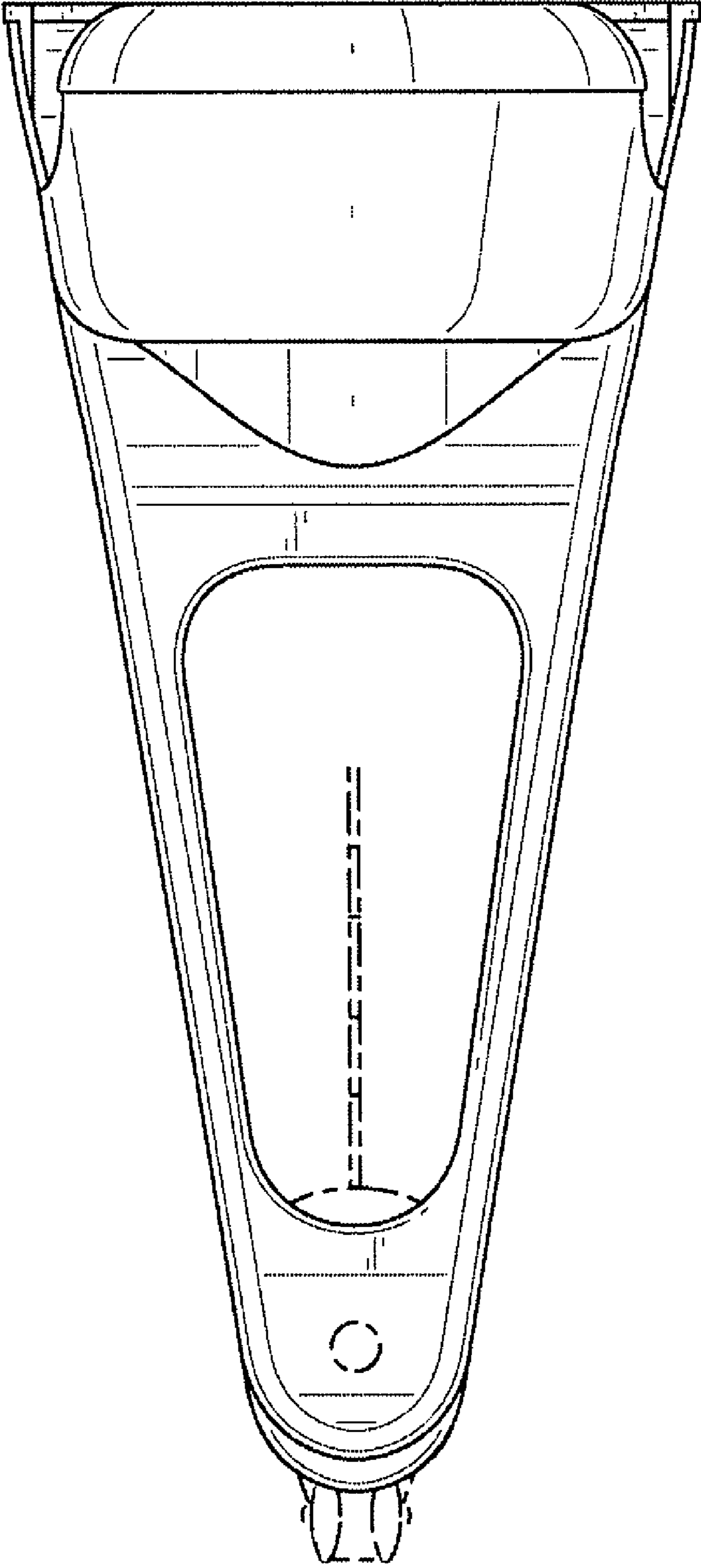


FIG. 6

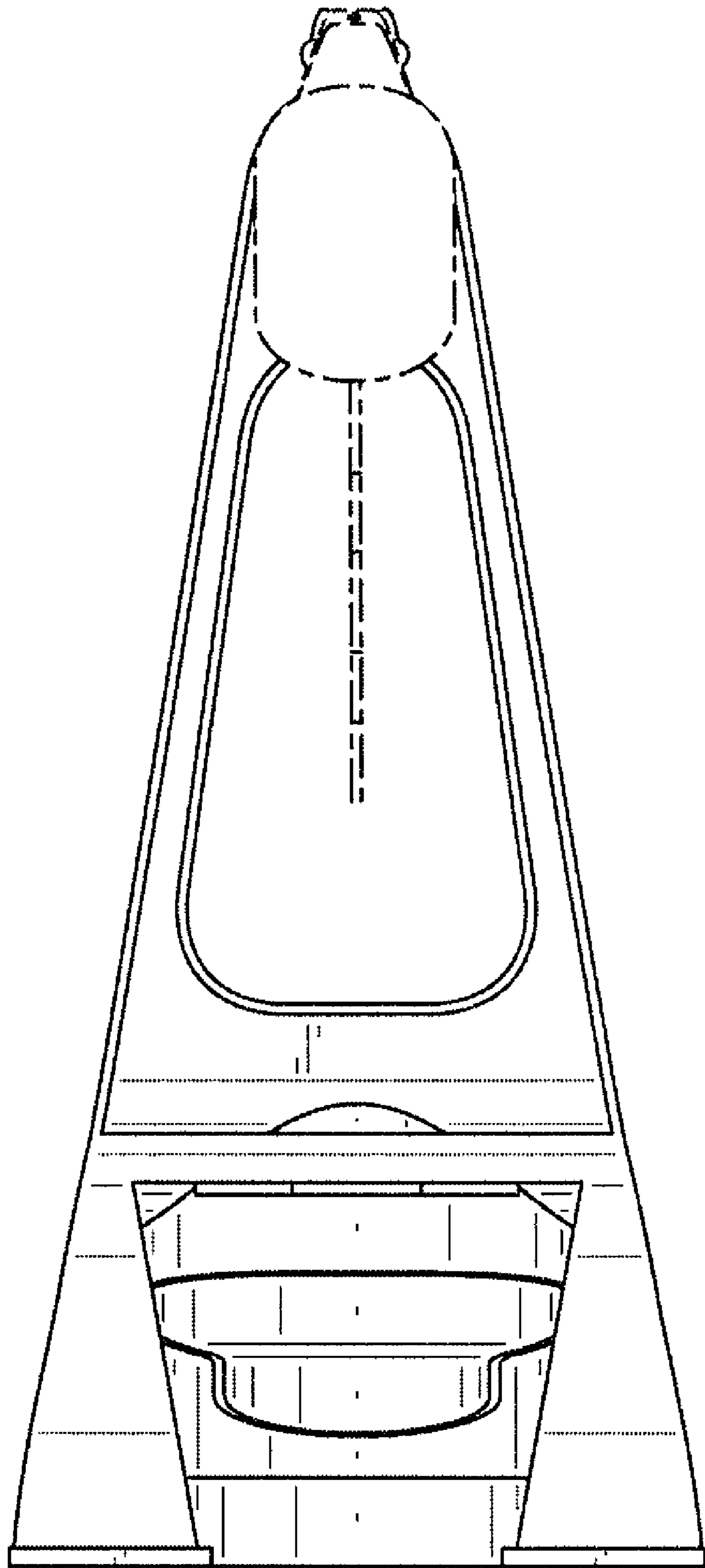


FIG. 7