

US00D640012S

(12) **United States Design Patent**
Marin et al.

(10) **Patent No.:** **US D640,012 S**
(45) **Date of Patent:** **** Jun. 14, 2011**

(54) **WELDER'S MASK**

(75) Inventors: **Bojan Marin**, Ljubljana (SI); **Klemen Eržen**, Preddvor (SI); **Miha Pesek**, Ljubljana (SI)

(73) Assignee: **Balder, optoelektronski elementi in merlina tehnika, d.o.o.**, Ljubljana (SI)

(**) Term: **14 Years**

(21) Appl. No.: **29/347,601**

(22) Filed: **Mar. 11, 2010**

(30) **Foreign Application Priority Data**

Sep. 11, 2009 (EM) 001610338

(51) **LOC (9) Cl.** **29-02**

(52) **U.S. Cl.** **D29/110**

(58) **Field of Classification Search** D29/102-106,
D29/108, 110, 112, 122; 2/455, 8.1-8.4,
2/8.7

See application file for complete search history.

(56) **References Cited**

U.S. PATENT DOCUMENTS

D394,732 S * 5/1998 Huh D29/110
D398,421 S * 9/1998 Crafoord et al. D29/110
D419,727 S * 1/2000 Verkic et al. D29/110
6,401,244 B1 * 6/2002 Kramer et al. 2/8.1

D553,802 S * 10/2007 Huh D29/110
D565,800 S * 4/2008 Wang D29/110
D584,003 S * 12/2008 Juhlin D29/110
D586,956 S * 2/2009 Huh D29/110
D594,600 S * 6/2009 Huh D29/110

* cited by examiner

Primary Examiner — Ruth McInroy

(74) *Attorney, Agent, or Firm* — Jacobson Holman PLLC

(57) **CLAIM**

The ornamental design for a welder's mask, as shown and described.

DESCRIPTION

FIG. 1 is a front perspective view of a welder's mask showing our new design;

FIG. 2 is a front view thereof;

FIG. 3 is a rear view thereof;

FIG. 4 is a left side view thereof, the opposite side being a mirror image;

FIG. 5 is a top view thereof;

FIG. 6 is a front perspective view of a second embodiment thereof;

FIG. 7 is a front view of FIG. 6;

FIG. 8 is a rear view of FIG. 6;

FIG. 9 is a left side view of FIG. 6, the opposite side being a mirror image; and,

FIG. 10 is a top view of FIG. 6.

1 Claim, 10 Drawing Sheets

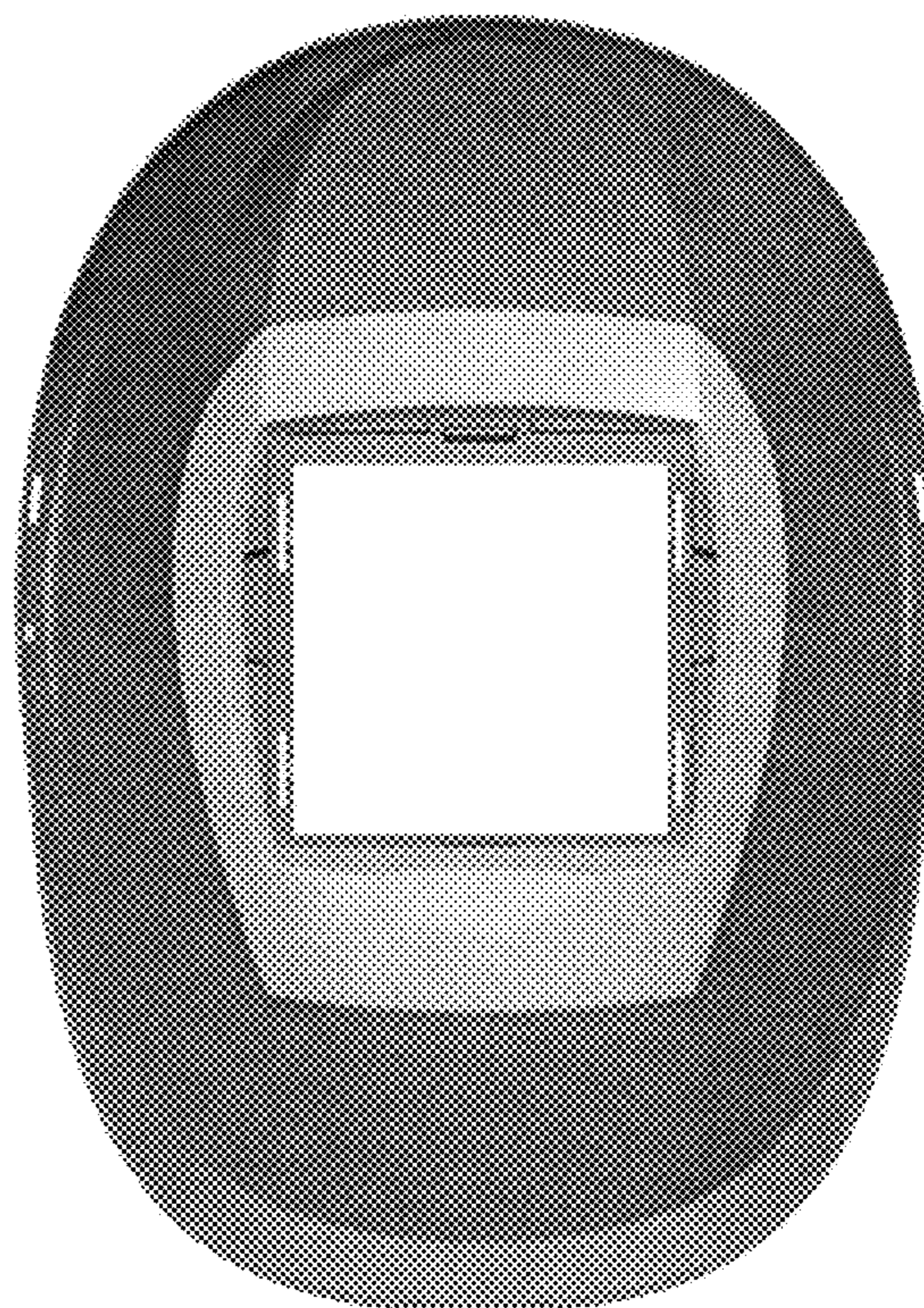
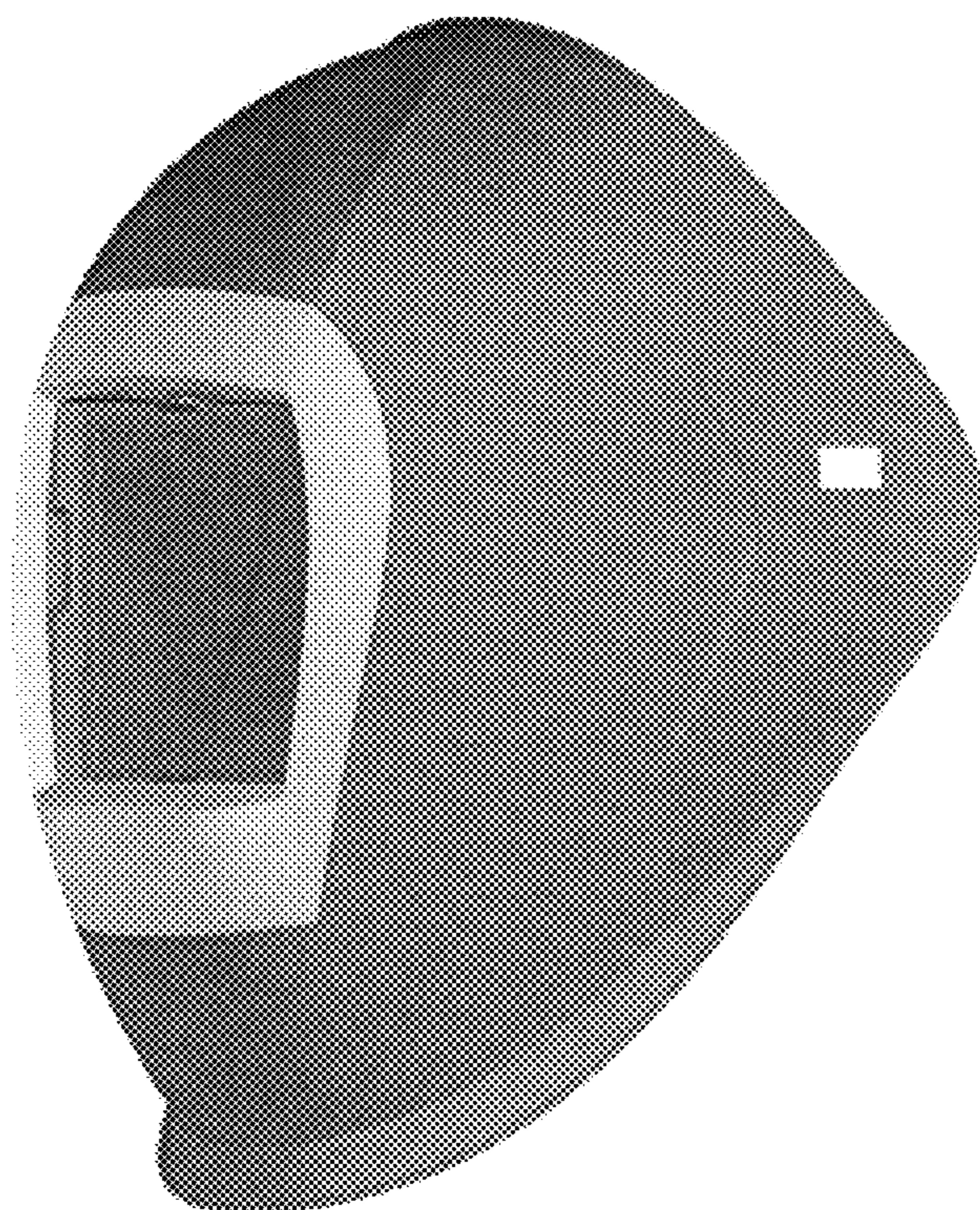


FIG. 1

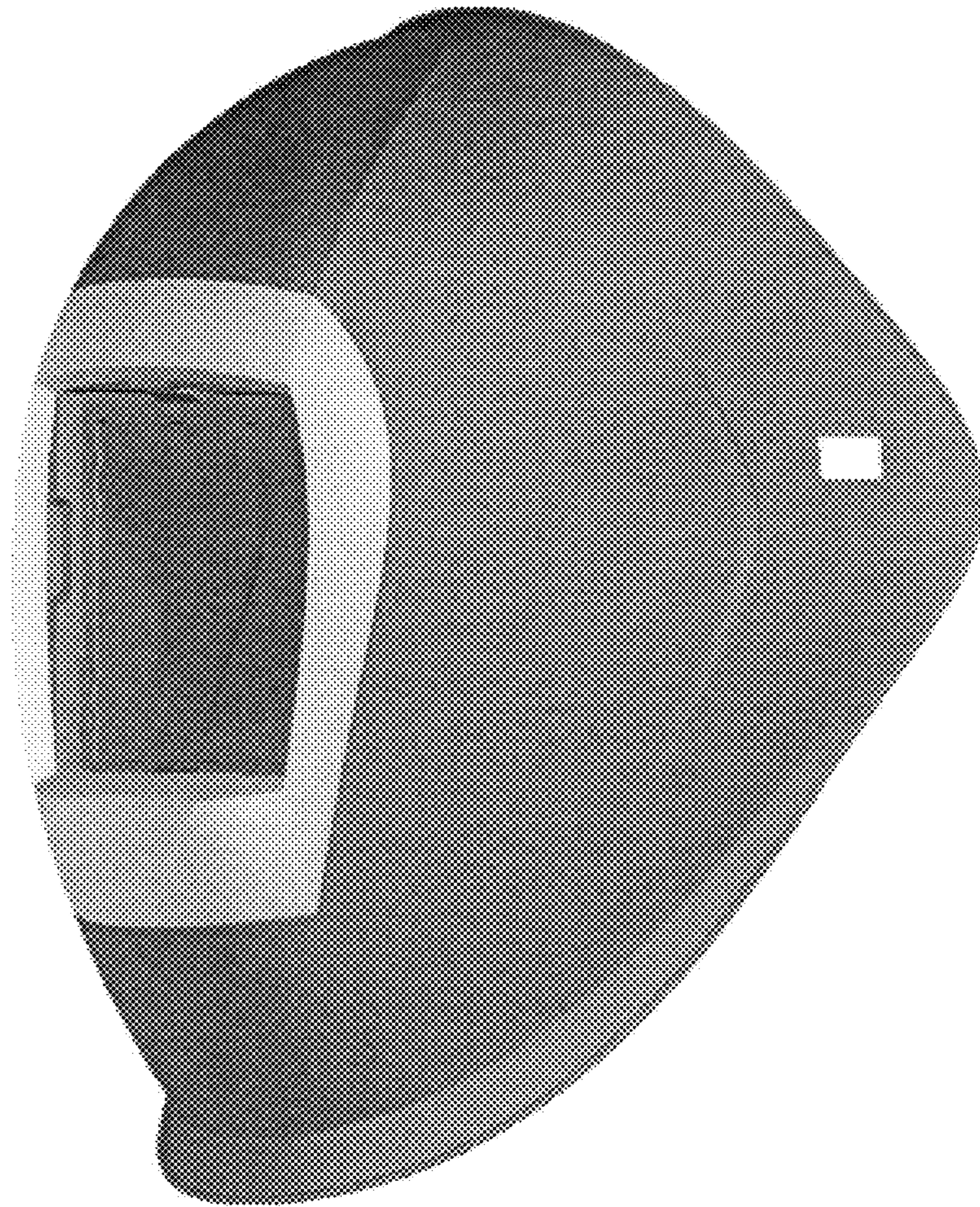


FIG. 2

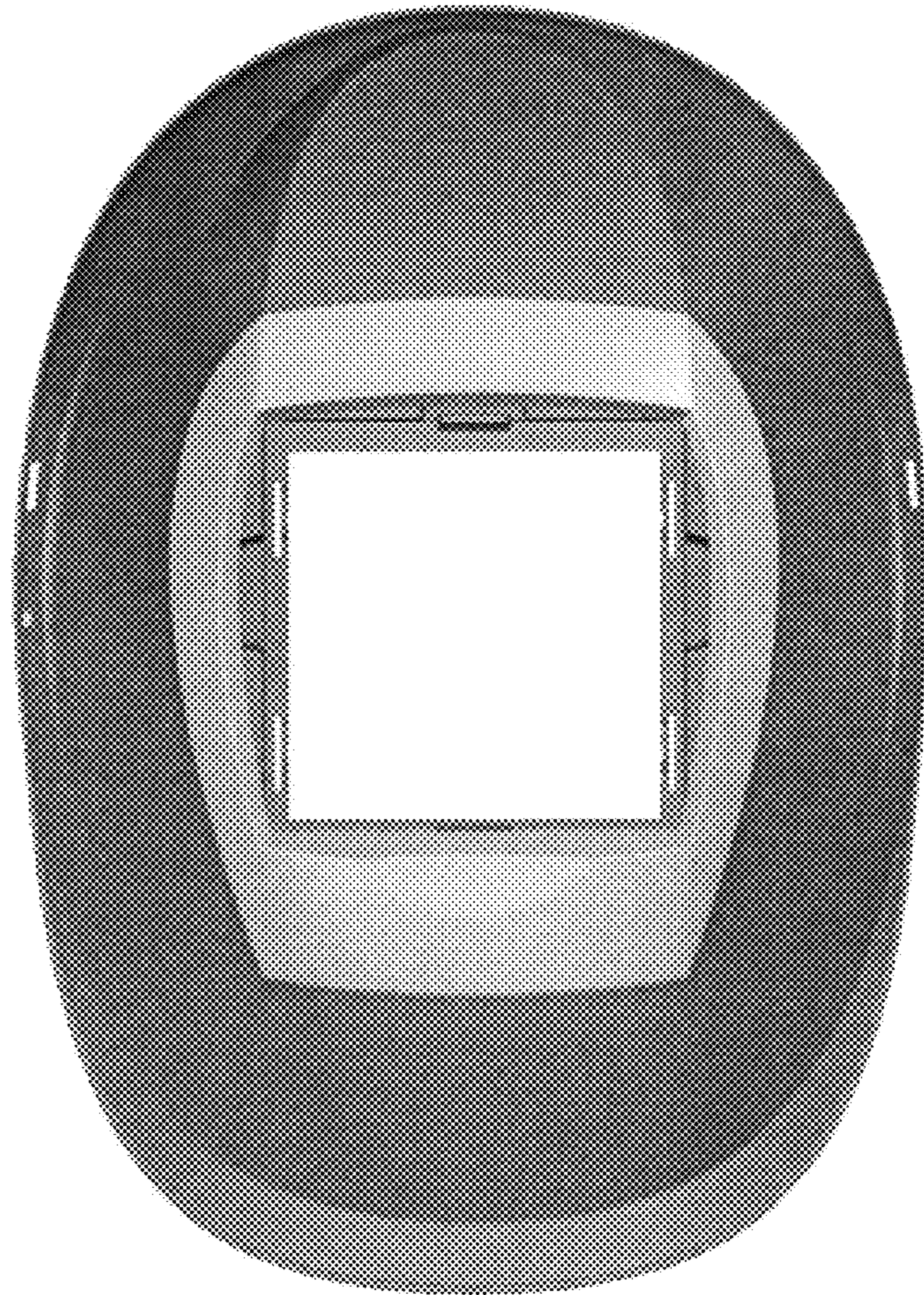


FIG. 3

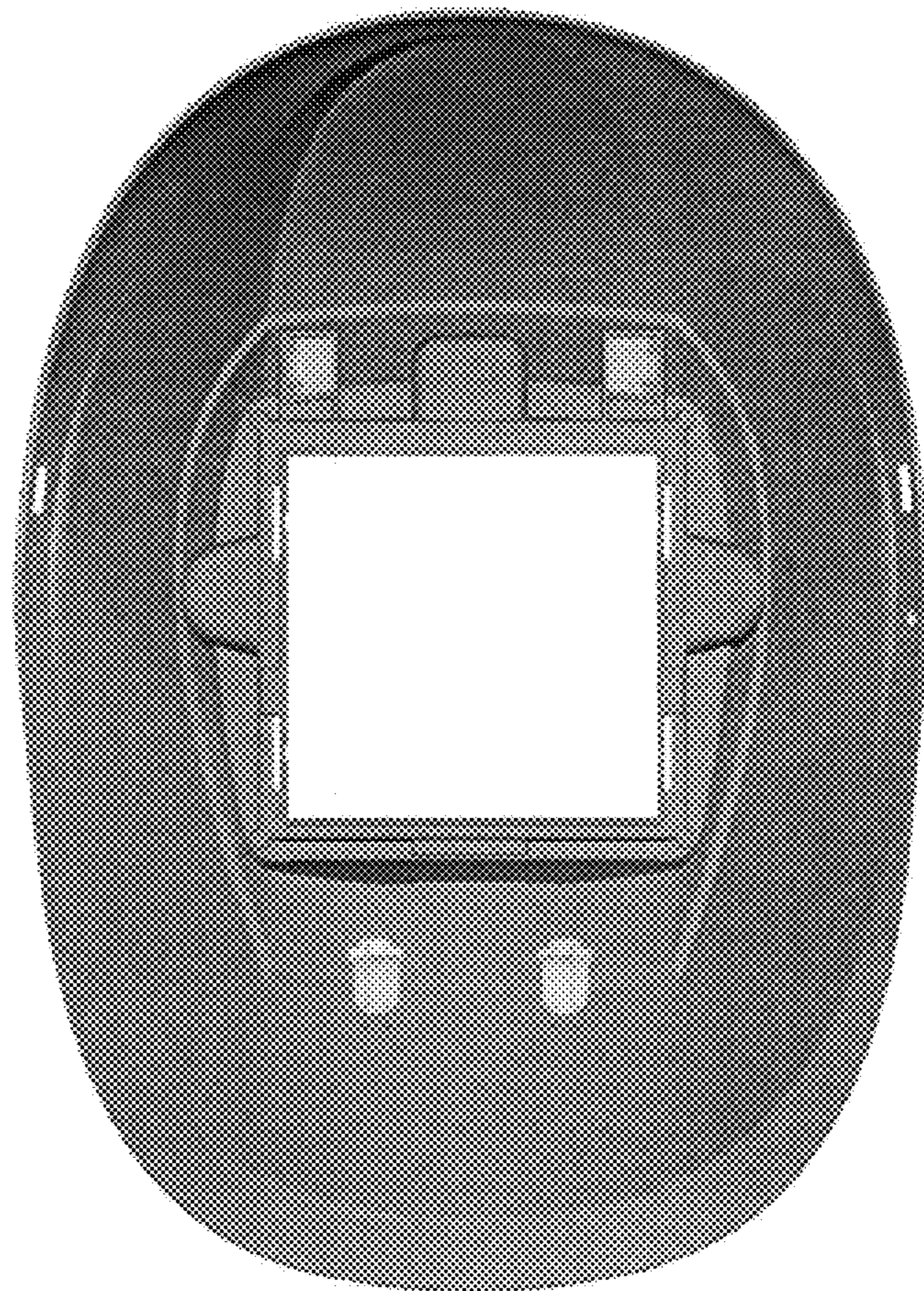


FIG. 4

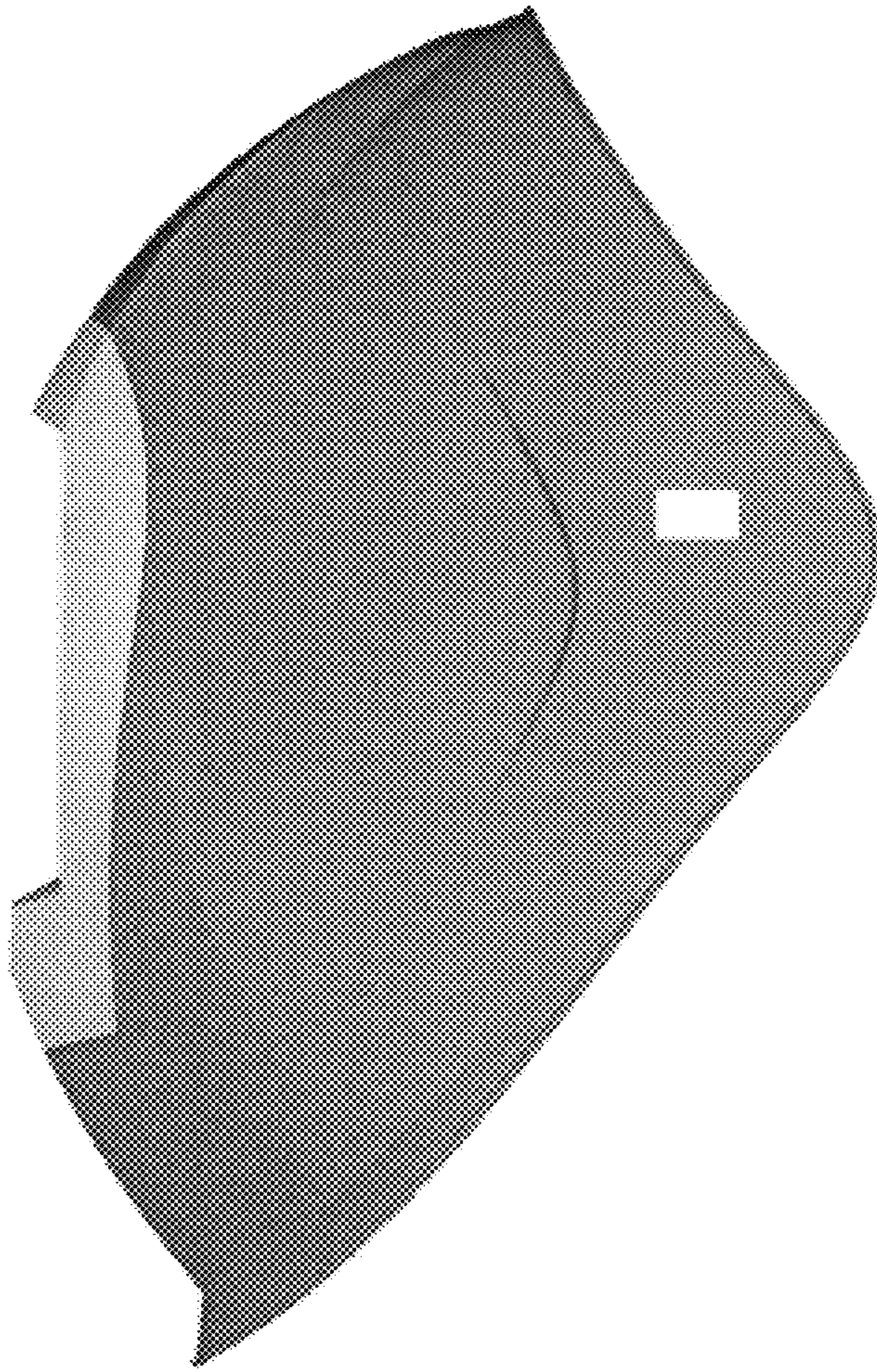


FIG. 5

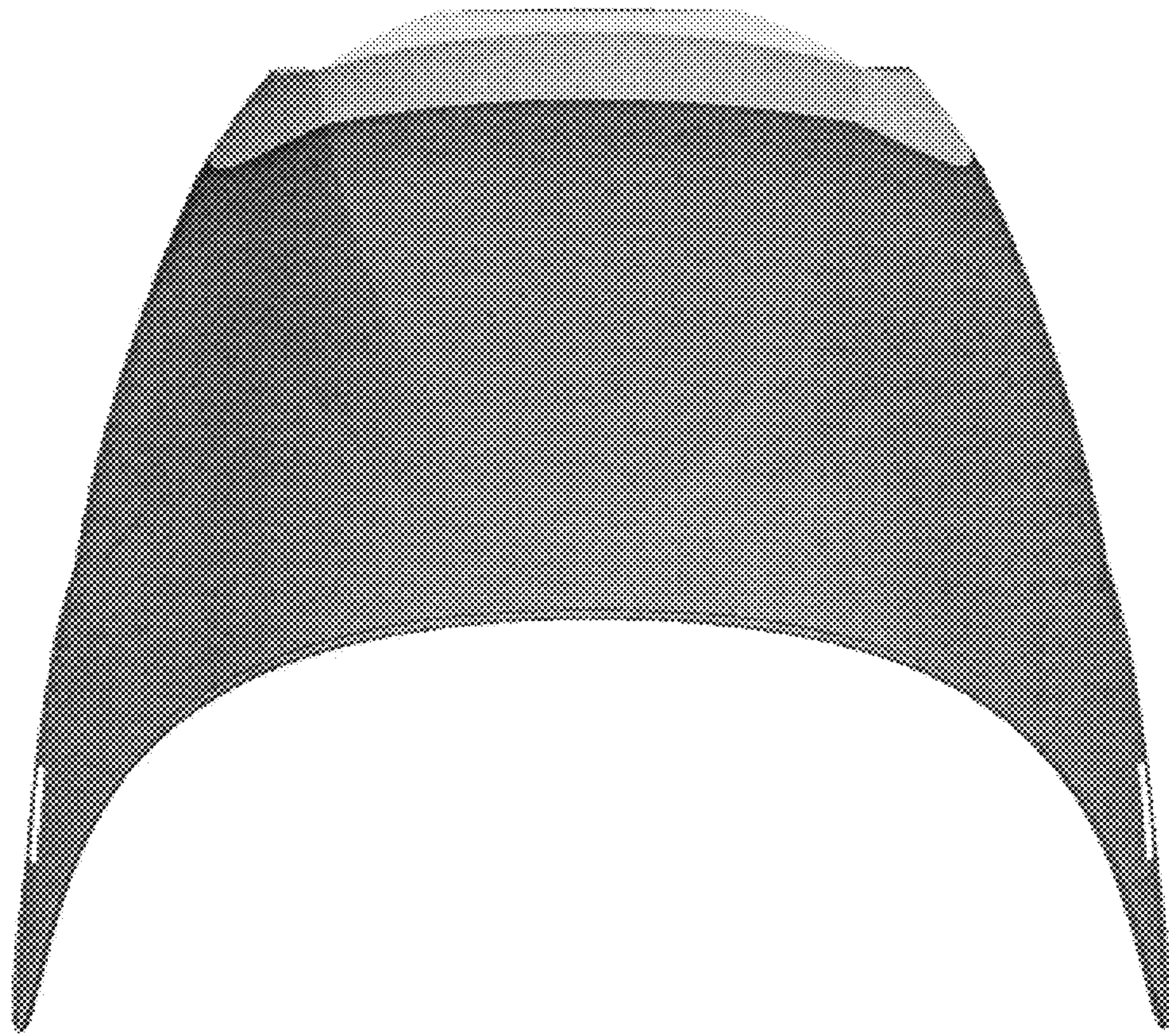


FIG. 6

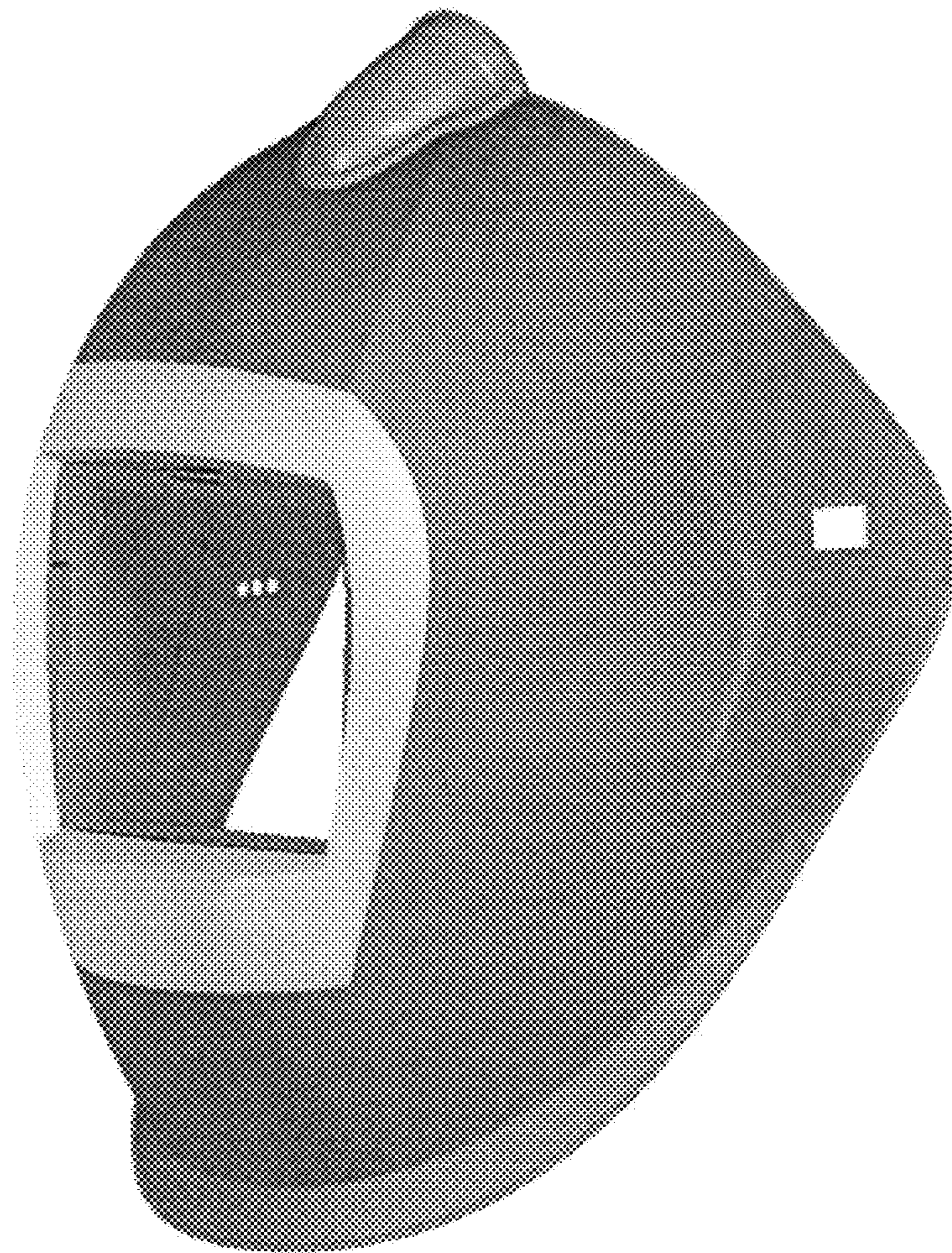


FIG. 7

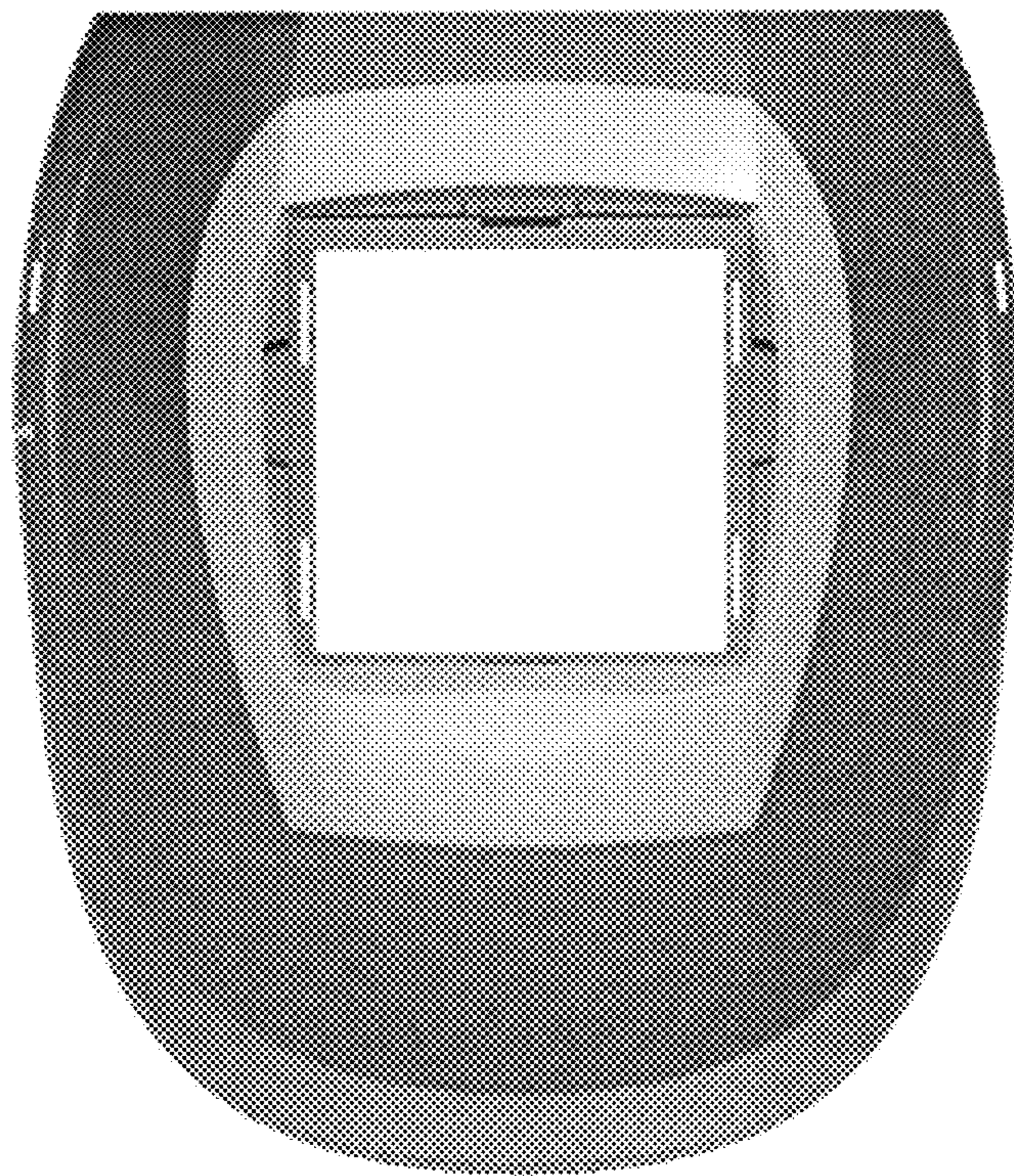


FIG. 8

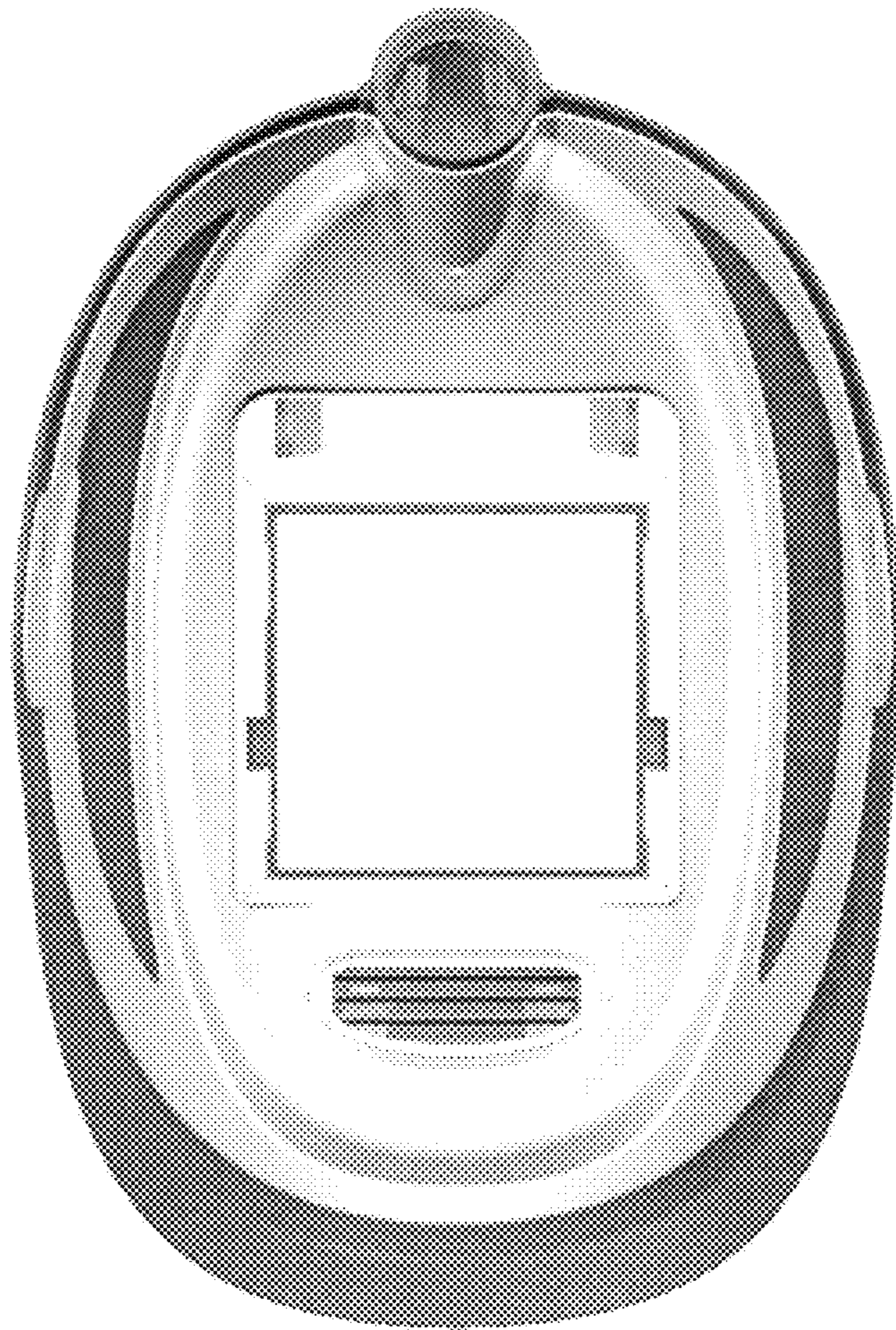


FIG. 9

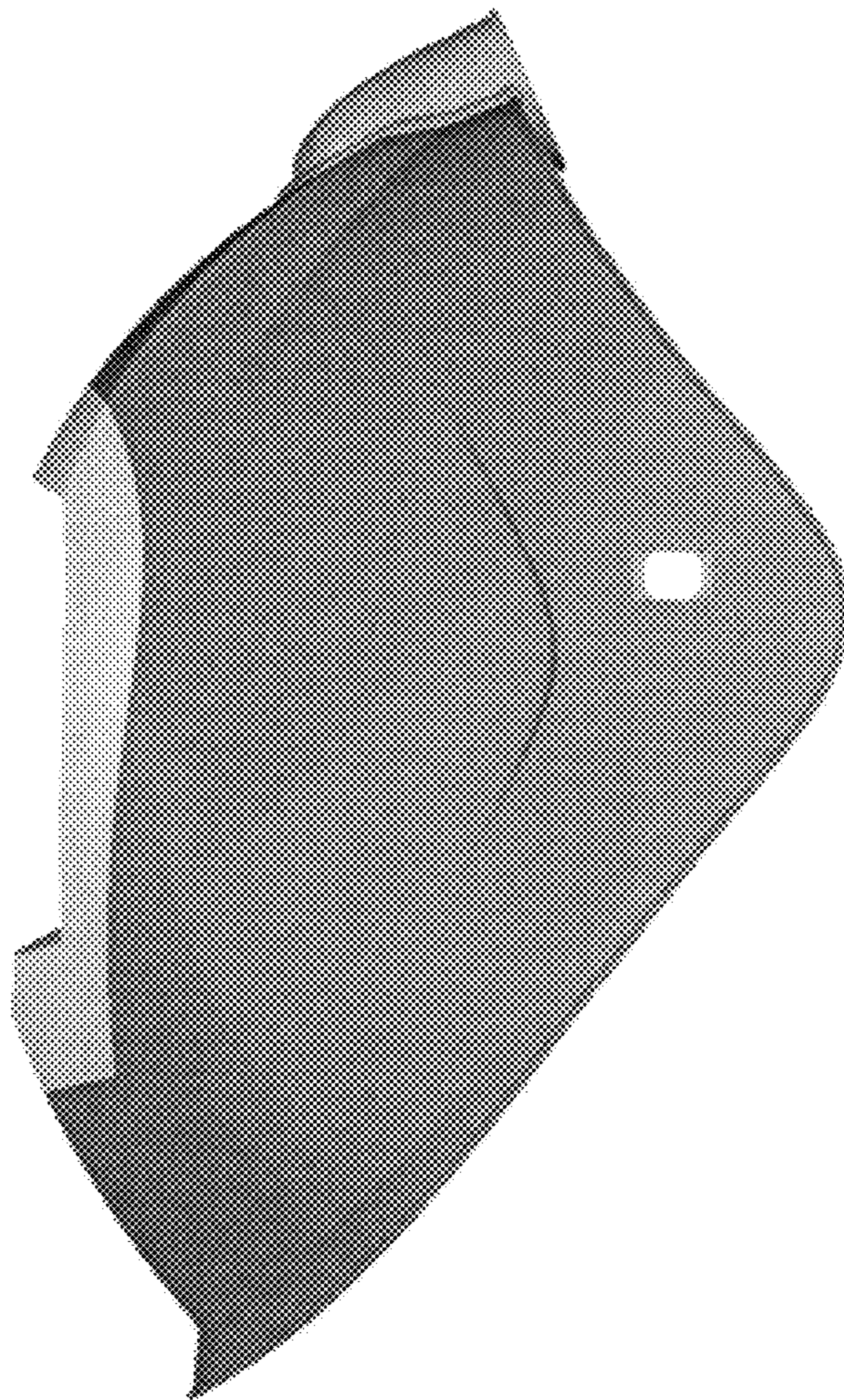
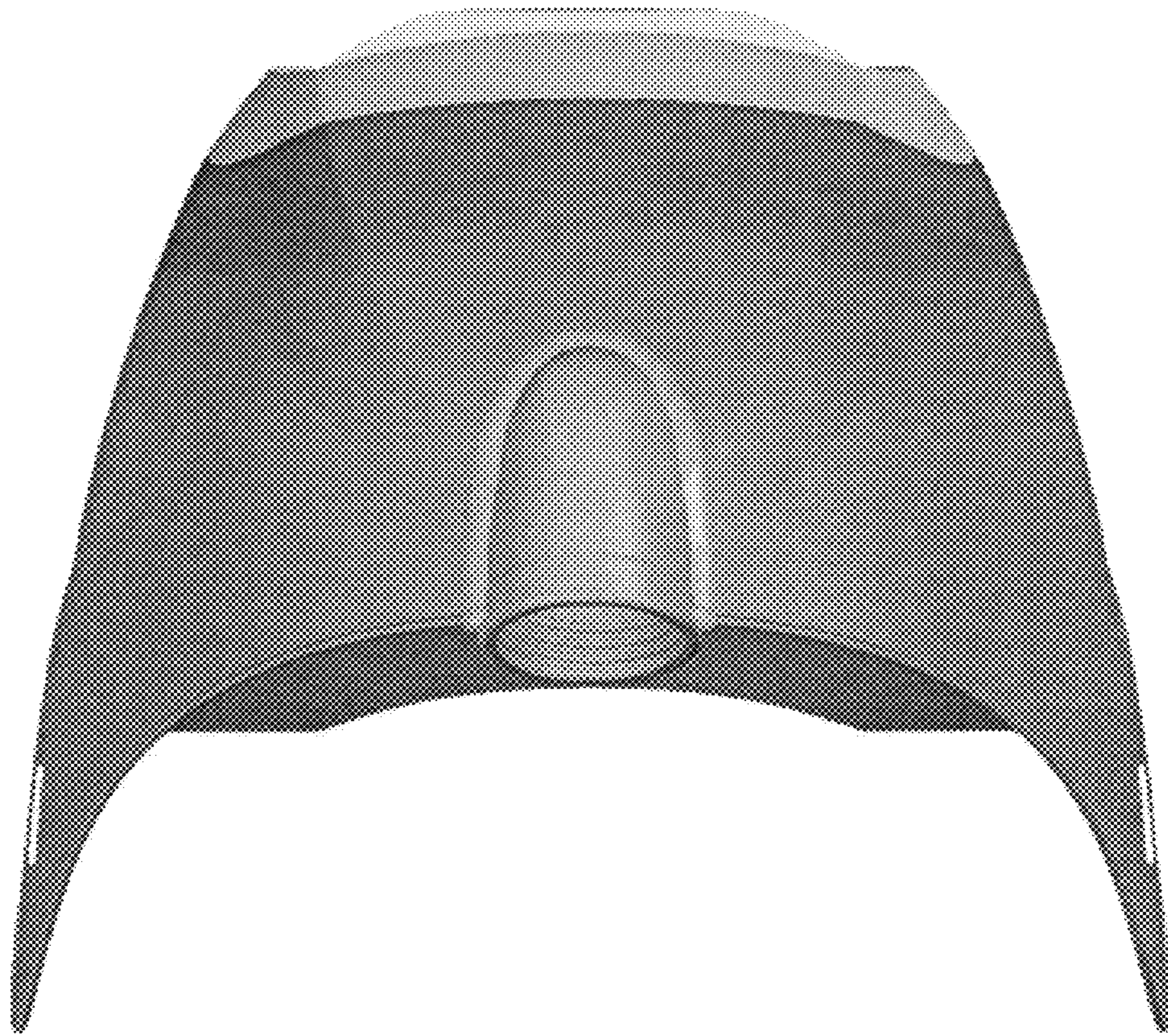


FIG. 10



UNITED STATES PATENT AND TRADEMARK OFFICE
CERTIFICATE OF CORRECTION

PATENT NO. : D640,012 S
APPLICATION NO. : 29/347601
DATED : June 14, 2011
INVENTOR(S) : Marin et al.

Page 1 of 1

It is certified that error appears in the above-identified patent and that said Letters Patent is hereby corrected as shown below:

Title Page, item (73) Assignee, change “merlina technika” to --merilna tehnika--.

Signed and Sealed this
Twelfth Day of February, 2013



Teresa Stanek Rea
Acting Director of the United States Patent and Trademark Office