



US00D640010S

(12) **United States Design Patent**
Mateu Codina

(10) **Patent No.:** **US D640,010 S**
(45) **Date of Patent:** **** Jun. 14, 2011**

(54) **MOTORCYCLE HELMET**

(75) Inventor: **Xavier Mateu Codina**, Barcelona (ES)

(73) Assignee: **Mat Global Solutions, S.L.**, Terrassa
(Barcelona) (ES)

(**) Term: **14 Years**

(21) Appl. No.: **29/347,060**

(22) Filed: **Sep. 10, 2009**

(30) **Foreign Application Priority Data**

May 27, 2009 (EM) 001140206

(51) **LOC (9) Cl.** **02-03**

(52) **U.S. Cl.** **D29/105**

(58) **Field of Classification Search** D29/102-107,
D29/109, 111, 122; 2/6.1, 6.3, 6.5, 6.7, 414,
2/421-425, 427, 468, 209.13, 175.6, 184.5,
2/10; D2/882, 886, 893

See application file for complete search history.

(56) **References Cited**

U.S. PATENT DOCUMENTS

D353,026	S *	11/1994	Kamata	D29/105
5,619,755	A *	4/1997	Casartelli	2/424
5,621,923	A *	4/1997	Tapocik	2/422
D485,948	S *	1/2004	Yi	D29/107
6,711,753	B2 *	3/2004	Arai	2/424
D498,882	S *	11/2004	Yi	D29/107
D499,213	S *	11/2004	Lee	D29/105

D523,993	S *	6/2006	Dion	D29/107
D526,092	S *	8/2006	Egger et al.	D29/107
D545,502	S *	6/2007	Lee	D29/107
D549,883	S *	8/2007	Dion	D29/106
D549,884	S *	8/2007	Dion	D29/107
D550,904	S *	9/2007	Lee	D29/122
D567,450	S *	4/2008	Renfrew	D29/107
D568,002	S *	4/2008	Mateu Codina	D29/107
D571,507	S *	6/2008	Murakami	D29/107
D581,099	S *	11/2008	Ahn et al.	D29/107
D583,102	S *	12/2008	Summers et al.	D29/106
2007/0011797	A1 *	1/2007	Ikeda	2/424
2008/0216215	A1 *	9/2008	Lee	2/424
2008/0250549	A1 *	10/2008	Summers et al.	2/425
2010/0050326	A1 *	3/2010	Lee	2/422

* cited by examiner

Primary Examiner — Ruth McInroy

(74) *Attorney, Agent, or Firm* — Dowell & Dowell, P.C.

(57) **CLAIM**

The ornamental design for a motorcycle helmet, as shown and described.

DESCRIPTION

FIG. 1 is a left perspective view of a motorcycle helmet showing my new design;

FIG. 2 is a left side elevational view thereof;

FIG. 3 is a right side elevational view thereof;

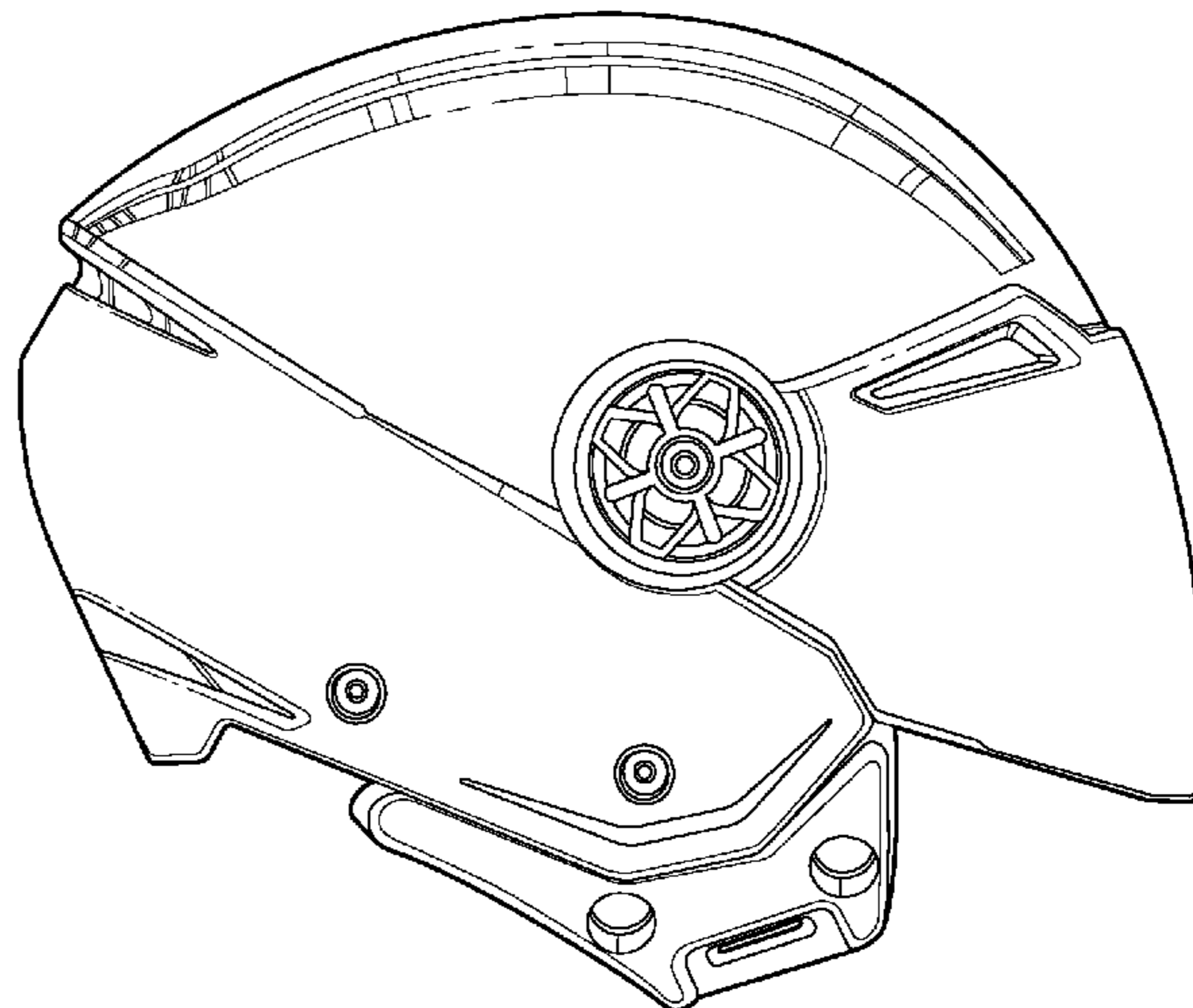
FIG. 4 is a front elevational view thereof;

FIG. 5 is a top plan view thereof;

FIG. 6 is a rear elevational view thereof; and,

FIG. 7 is a bottom plan view thereof.

1 Claim, 4 Drawing Sheets



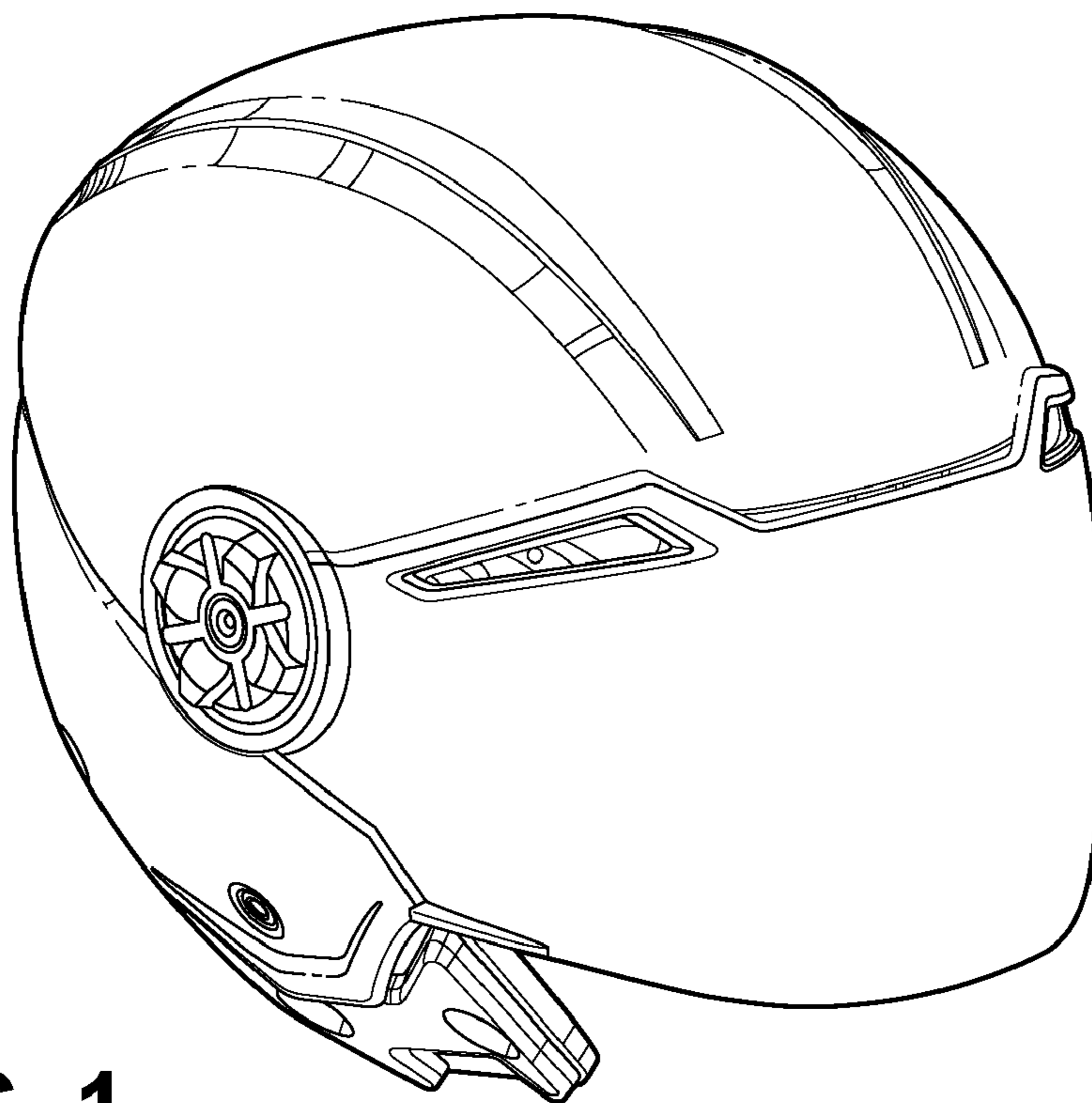


FIG. 1

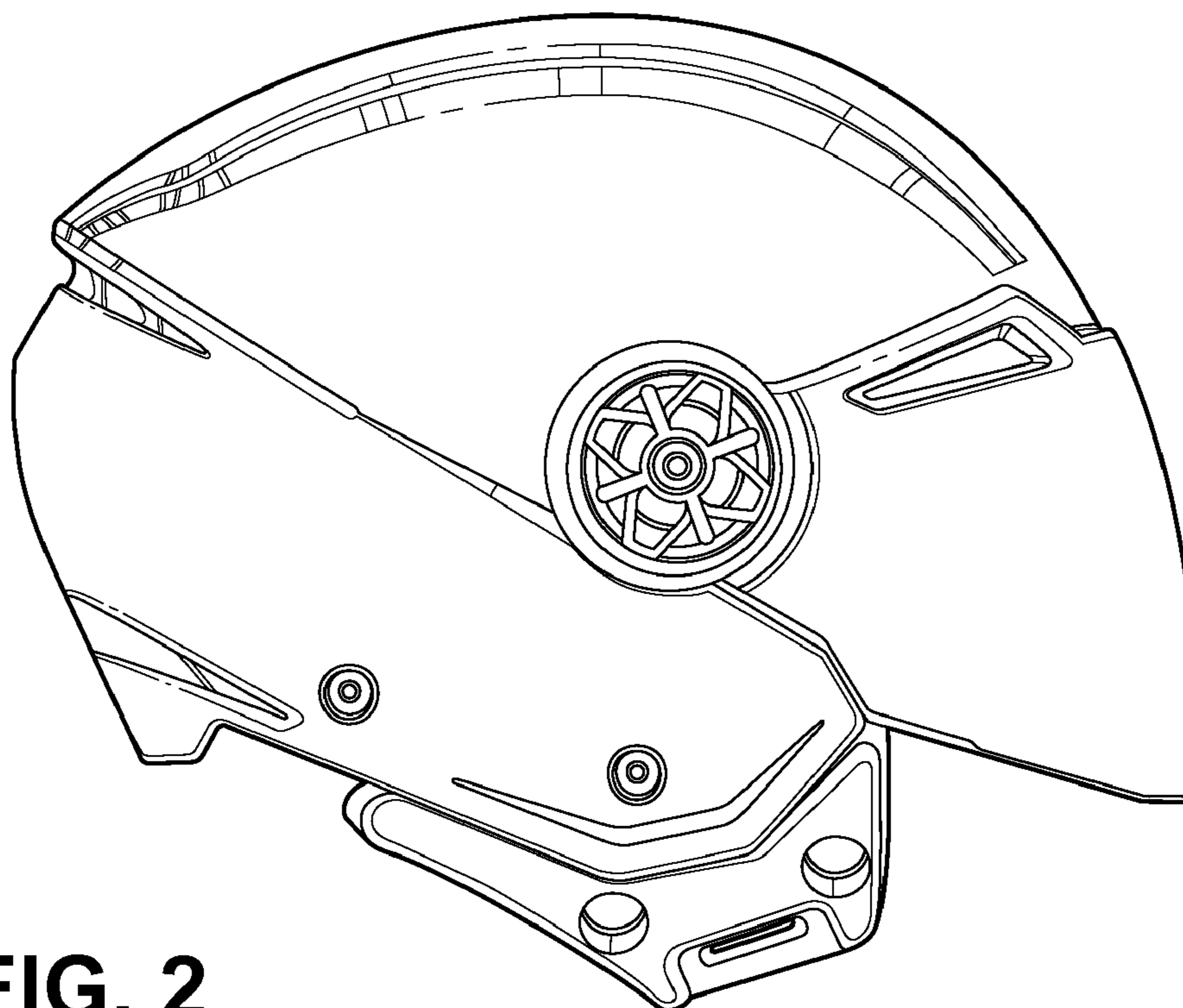


FIG. 2

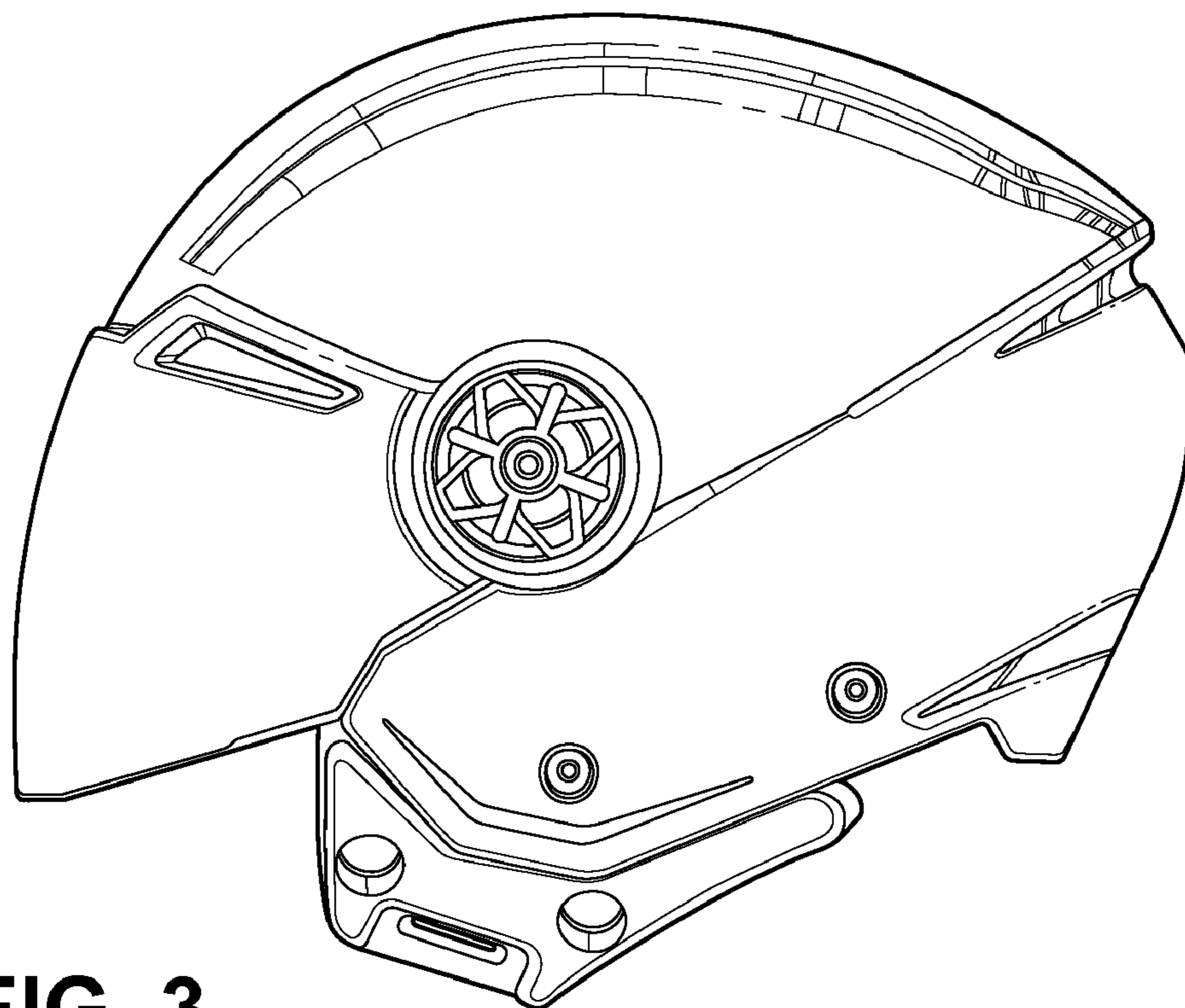


FIG. 3

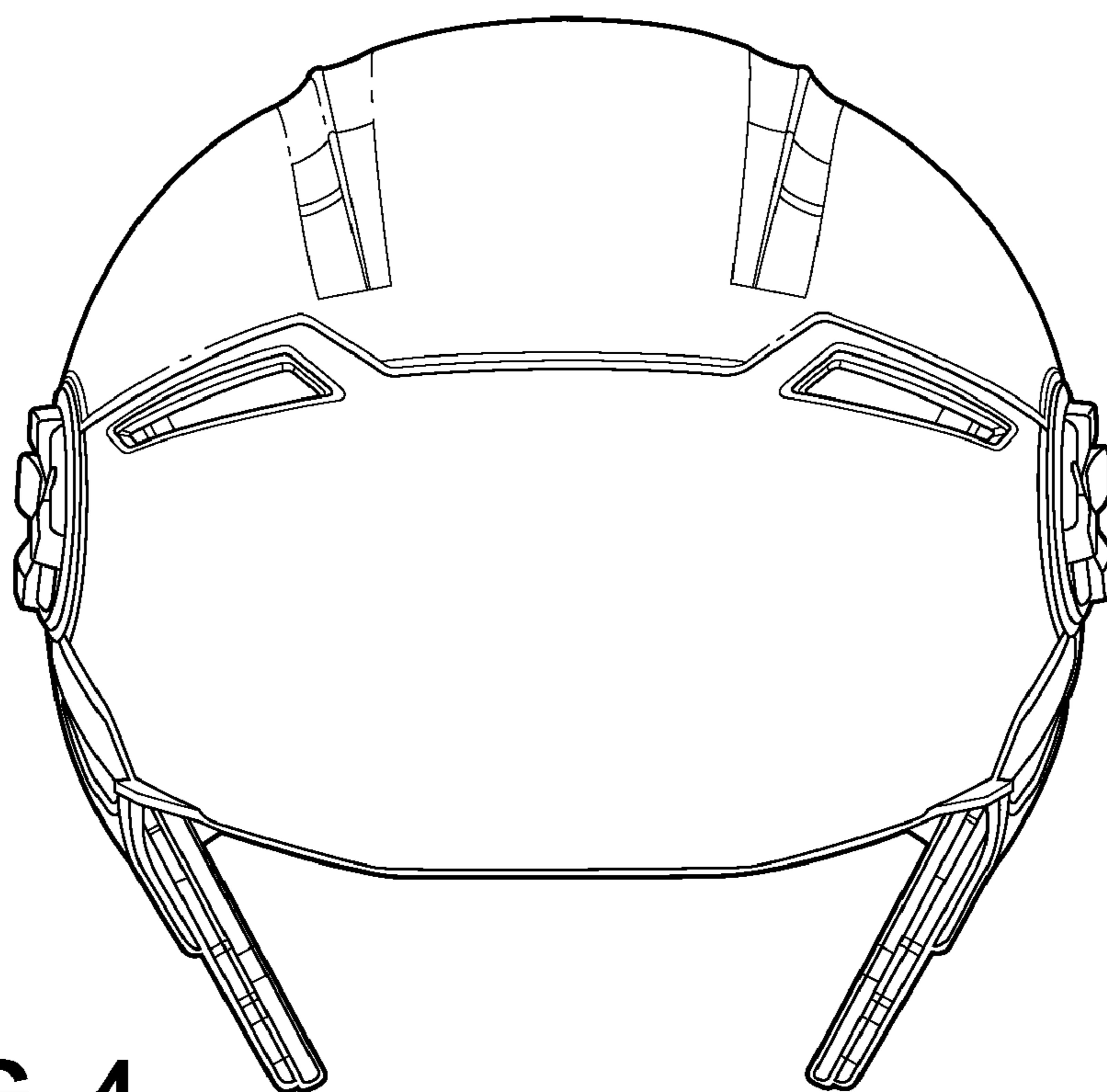


FIG. 4

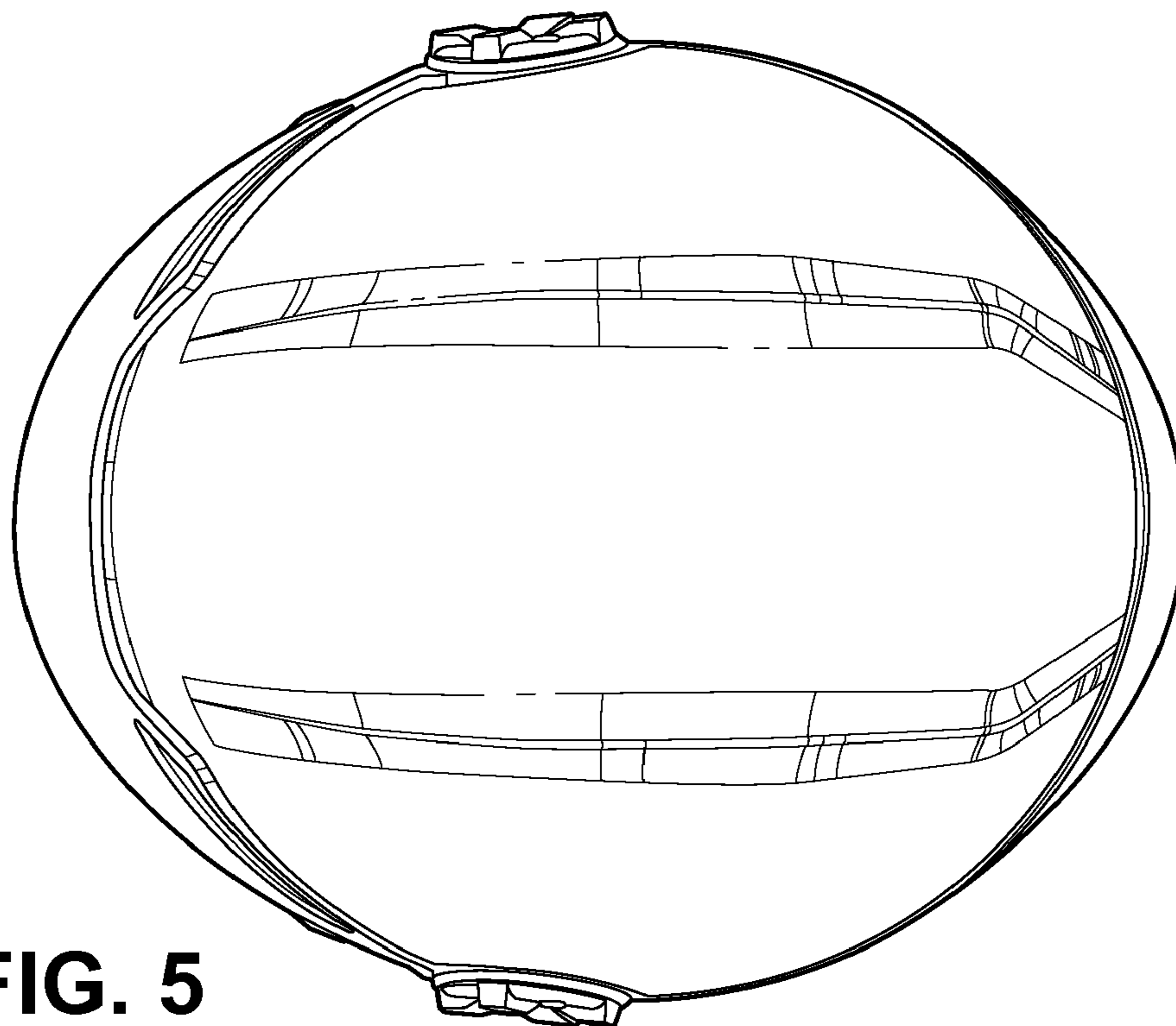


FIG. 5

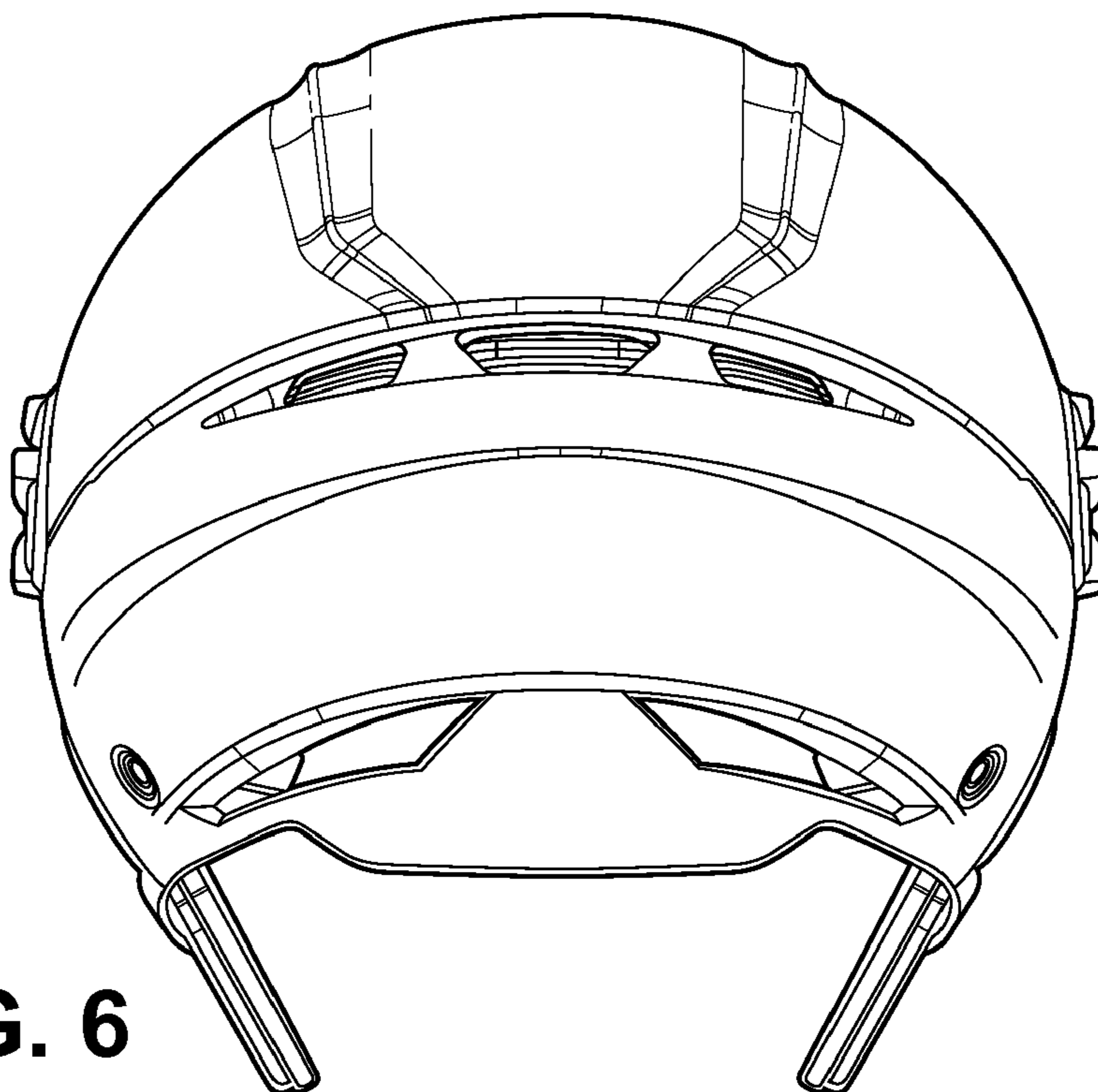


FIG. 6

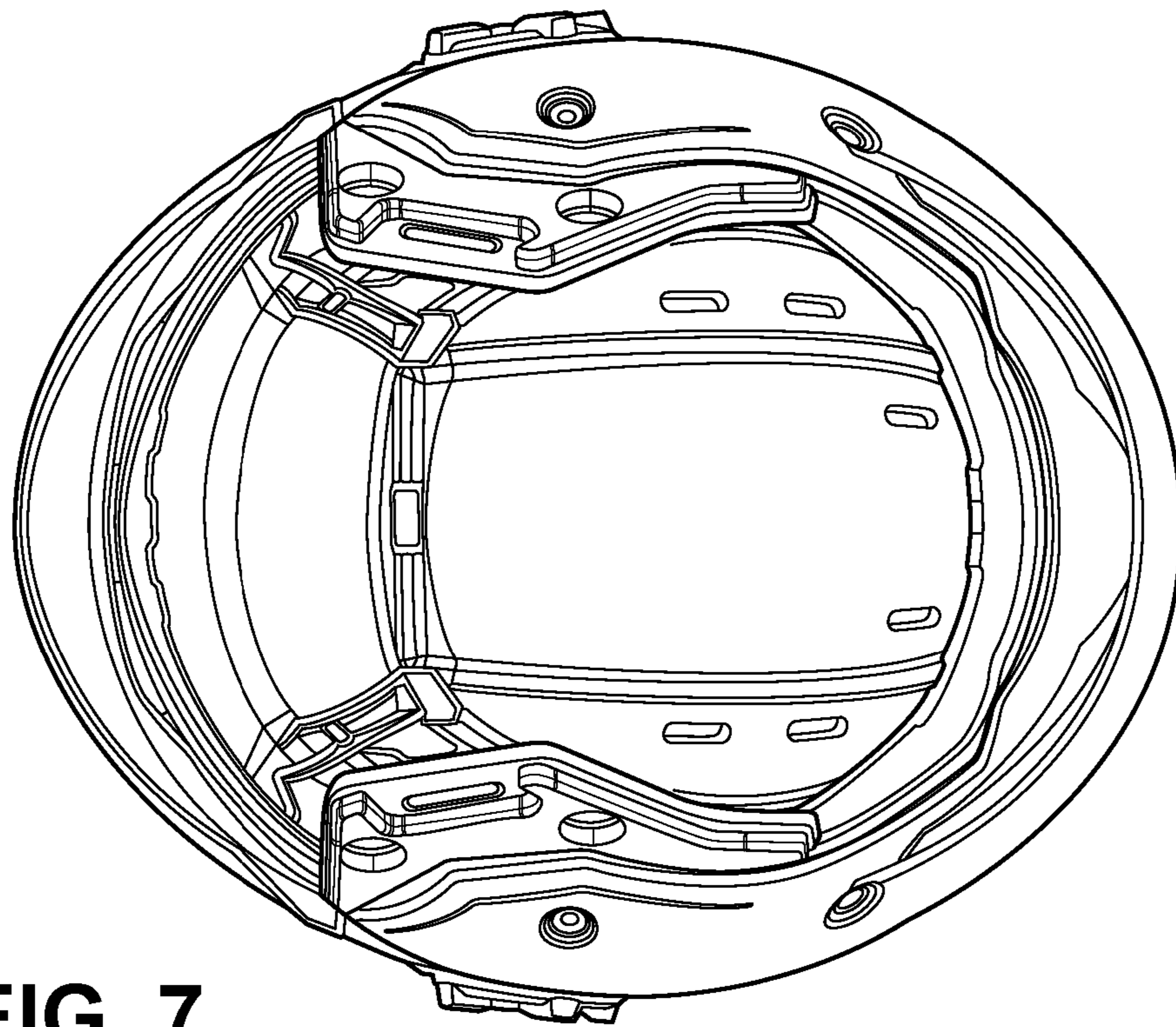


FIG. 7