



US00D640009S

(12) **United States Design Patent**
Richardson

(10) **Patent No.:** **US D640,009 S**
(45) **Date of Patent:** **** Jun. 14, 2011**

(54) **VEST PACK**

(75) Inventor: **Raymond Kevin Richardson,**
Coronado, CA (US)

(73) Assignee: **Richardson Capital, Inc.,** Coronado,
CA (US)

(**) Term: **14 Years**

(21) Appl. No.: **29/354,704**

(22) Filed: **Jan. 27, 2010**

(51) **LOC (9) Cl.** **29-02**

(52) **U.S. Cl.** **D29/101.4**

(58) **Field of Classification Search** D29/100,
D29/101.1, 101.2, 101.3, 101.4, 101.5, 124;
D21/804, 805; 441/115; 2/2.5, 48, 46, 51,
2/79, 85, 92, 93, 94, 102, 108; 5/81.1 R;
362/108; D24/190; D2/830

See application file for complete search history.

(56) **References Cited**

U.S. PATENT DOCUMENTS

4,194,257	A *	3/1980	Martin et al.	441/115
D315,242	S *	3/1991	Ruge	D29/101.4
D340,543	S *	10/1993	Ashton	D29/101.4
D353,256	S *	12/1994	VanZelf	D29/101.4
D426,051	S *	6/2000	Bugel et al.	D2/830

D426,937	S *	6/2000	Auster et al.	D2/830
D548,401	S *	8/2007	Tinao	D29/101.4
D585,603	S *	1/2009	O'Connor et al.	D29/101.4
D597,708	S *	8/2009	Basenberg et al.	D29/101.4
D617,501	S *	6/2010	Richardson	D29/101.3
D627,072	S *	11/2010	Kosh	D24/190
D631,611	S *	1/2011	Sattler	D29/101.4
2009/0144876	A1 *	6/2009	Pena et al.	2/102

* cited by examiner

Primary Examiner — Susan Bennett Hattan

Assistant Examiner — Barbara B Lohr

(74) *Attorney, Agent, or Firm* — Mintz, Levin, Cohen,
Ferris, Glovsky, and Popeo, P.C.

(57) **CLAIM**

I claim the ornamental design for a vest pack, as shown and described.

DESCRIPTION

FIG. 1 is a side perspective view of a vest pack;

FIG. 2 is a front plan view of a vest pack;

FIG. 3 is a back plan view of a vest pack;

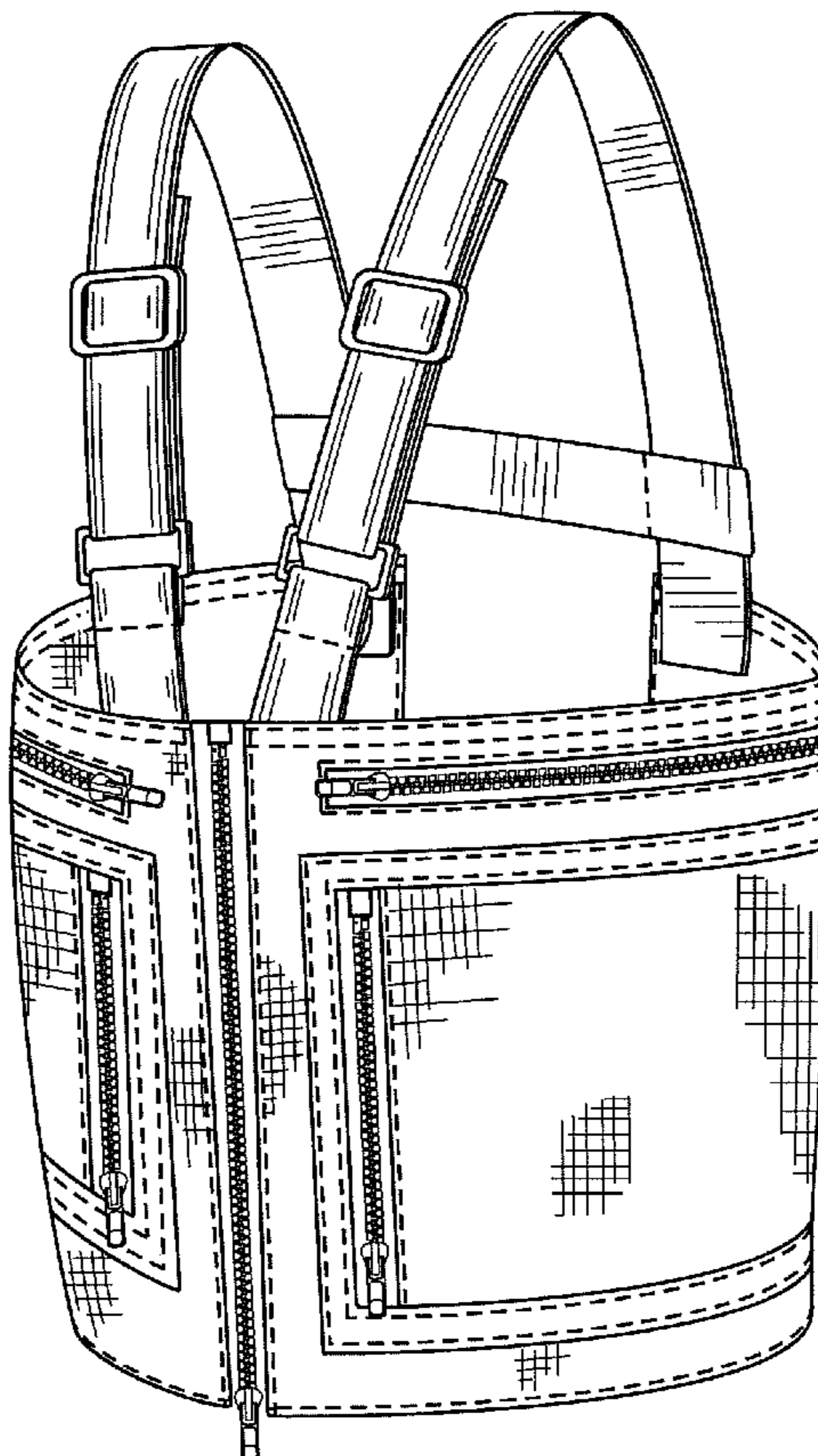
FIG. 4 is a side plan view of a vest pack;

FIG. 5 is a front view of a vest pack in use; and,

FIG. 6 is a back view of a vest pack in use.

The broken lines in the figure shown on the surface of the vest pack depict stitching and are included in the design claim; the broken line showing of a human figure in FIGS. 5 and 6 forms no part of the claimed design.

1 Claim, 6 Drawing Sheets



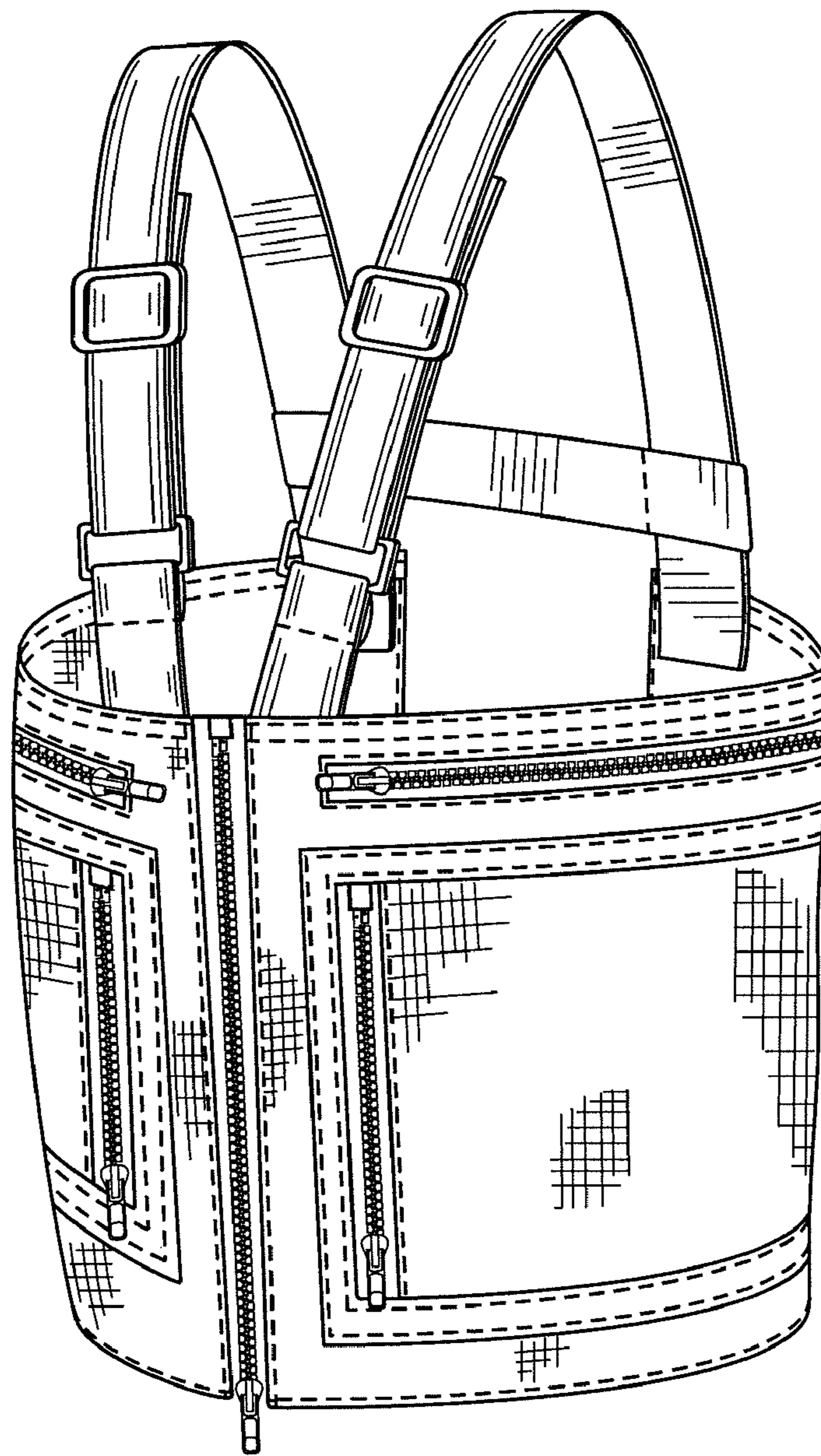


FIG. 1

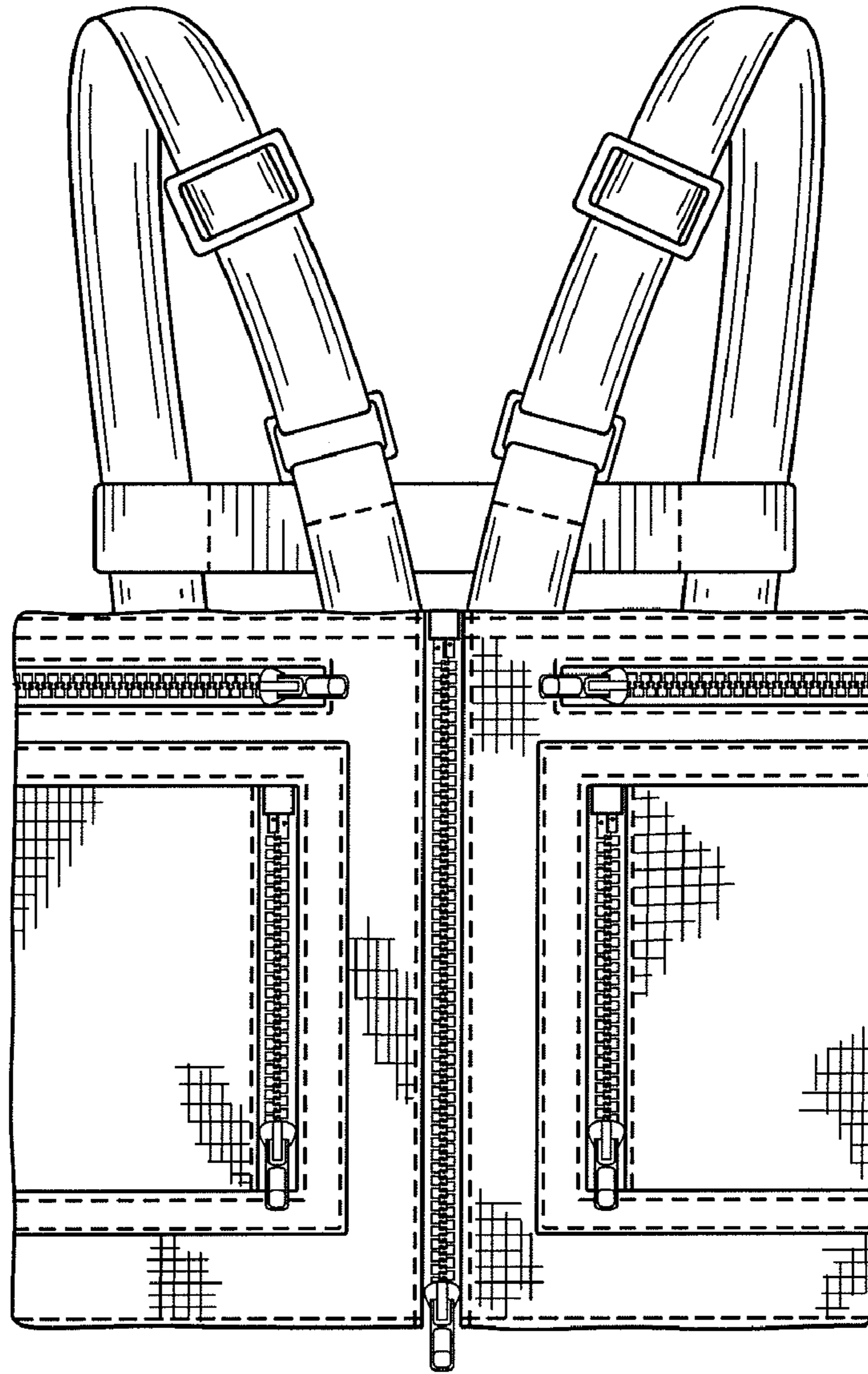


FIG. 2

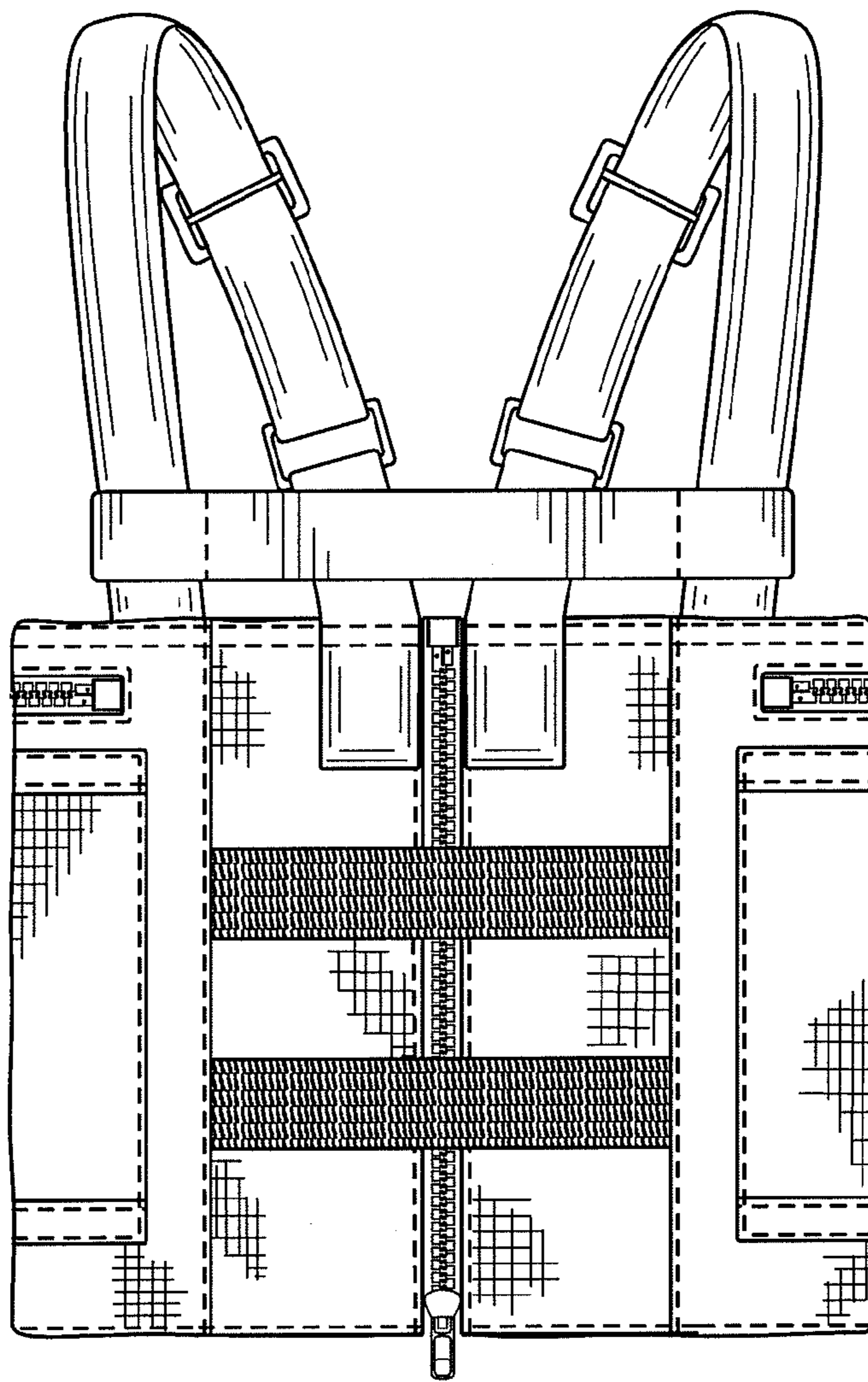


FIG. 3

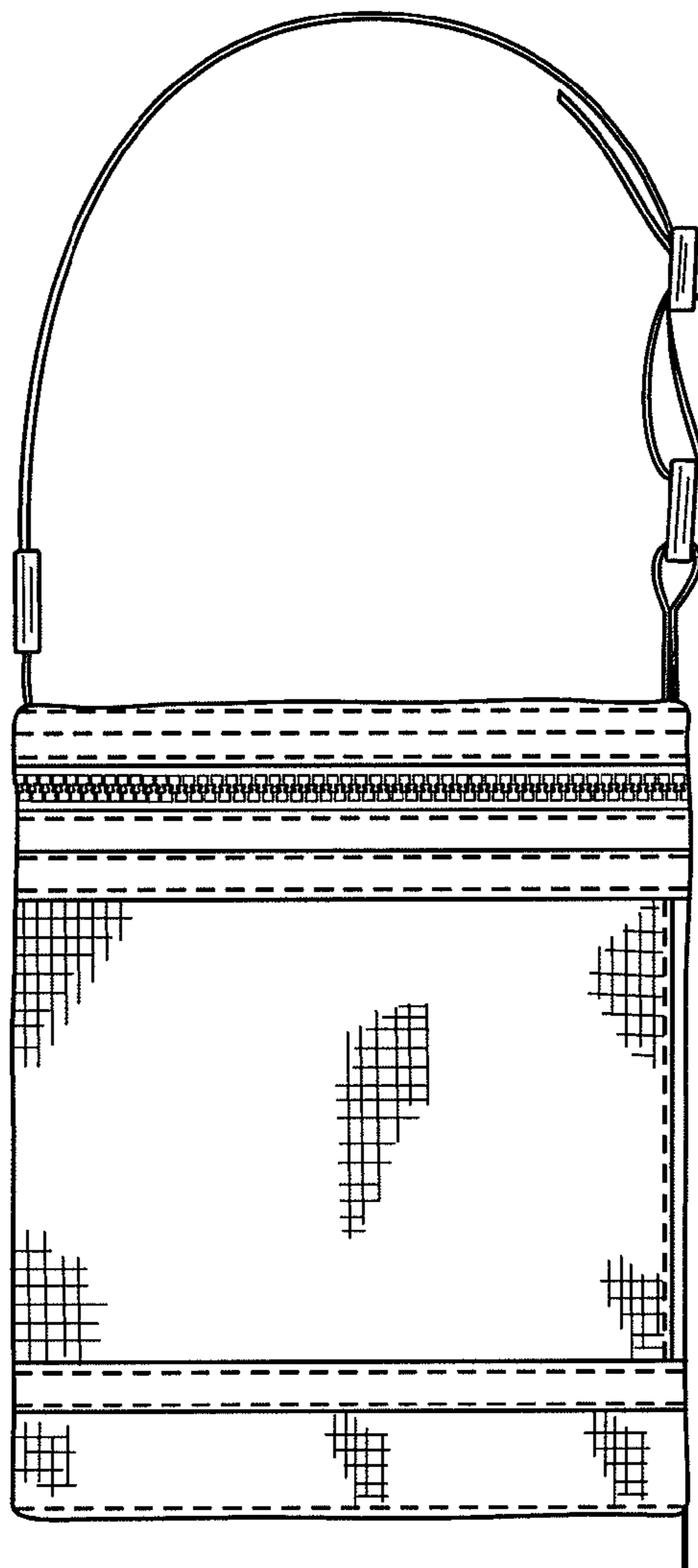


FIG. 4

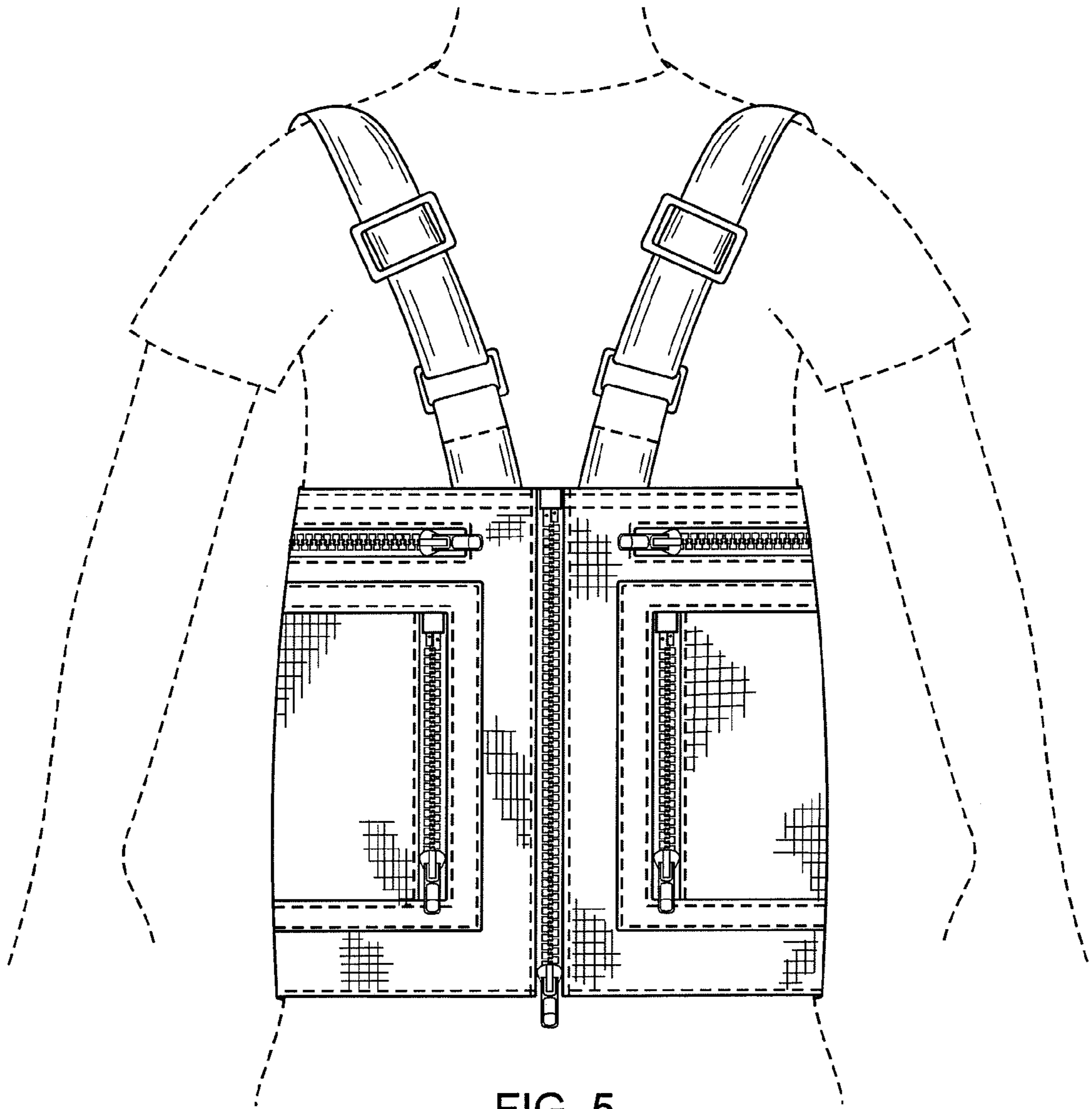


FIG. 5

