



US00D640003S

(12) **United States Design Patent**
Gilbert

(10) **Patent No.:** **US D640,003 S**

(45) **Date of Patent:** **** Jun. 14, 2011**

(54) **HAIR STYLING IMPLEMENT HOLDING APPARATUS**

(76) Inventor: **Mary L. Gilbert**, Leadwood, MO (US)

(**) Term: **14 Years**

(21) Appl. No.: **29/375,127**

(22) Filed: **Sep. 17, 2010**

(51) **LOC (9) Cl.** **28-03**

(52) **U.S. Cl.** **D28/38**

(58) **Field of Classification Search** D4/100,
D4/114, 133, 134, 120; 30/28, 29; D24/143,
D24/153; 132/74.5, 223, 224, 226, 228,
132/232, 233, 132, 248, 222, 251, 249, 238,
132/262, 123, 118, 121, 122, 227, 229, 237,
132/266, 285, 200; D30/158; D28/35, 9,
D28/10, 11, 12, 13, 37, 38, 73, 75, 55, 60,
D28/61, 44, 57, 58, 59; 219/222, 242, 218,
219/521, 226, 225, 229; D8/52; D32/35;
D7/686, 558, 601, 602, 608, 615, 701, 704,
D7/706, 707, 619.1, 630, 640; D6/567, 608,
D6/583; D3/205; 206/349

See application file for complete search history.

(56) **References Cited**

U.S. PATENT DOCUMENTS

928,213	A *	7/1909	Patterson	248/121
D223,101	S *	3/1972	Sylvester	D8/71
4,278,223	A	7/1981	Fauteux		
D260,463	S *	9/1981	Imus	D6/514
D272,699	S *	2/1984	Godfrey	D7/701
4,679,695	A *	7/1987	Leff	211/85.21
D297,063	S *	8/1988	Baldwin	D34/18
D342,343	S	12/1993	Slivko		
D369,950	S *	5/1996	LaPointe	D7/600.2
D373,849	S *	9/1996	Passalacqua	D28/38

5,568,954	A	10/1996	Burgess		
D377,695	S *	1/1997	Puckett	D28/38
5,613,305	A	3/1997	Narrin		
D386,363	S *	11/1997	Dardashti	D7/704
5,727,701	A	3/1998	Rhoades		
5,737,847	A	4/1998	Britton		
5,743,415	A	4/1998	Smart		
D418,724	S *	1/2000	Williams	D7/708
D434,619	S *	12/2000	Janis	D7/702
6,205,679	B1	3/2001	Rodway et al.		
6,209,732	B1 *	4/2001	Dennis et al.	211/70.6
6,581,890	B2	6/2003	Johnson et al.		
D481,556	S *	11/2003	Hampshire et al.	D6/465
D498,982	S *	11/2004	Hockey	D7/600.2
D526,170	S *	8/2006	Gugni	D7/706

* cited by examiner

Primary Examiner — Cathron C Brooks

Assistant Examiner — Kevin K Rudzinski

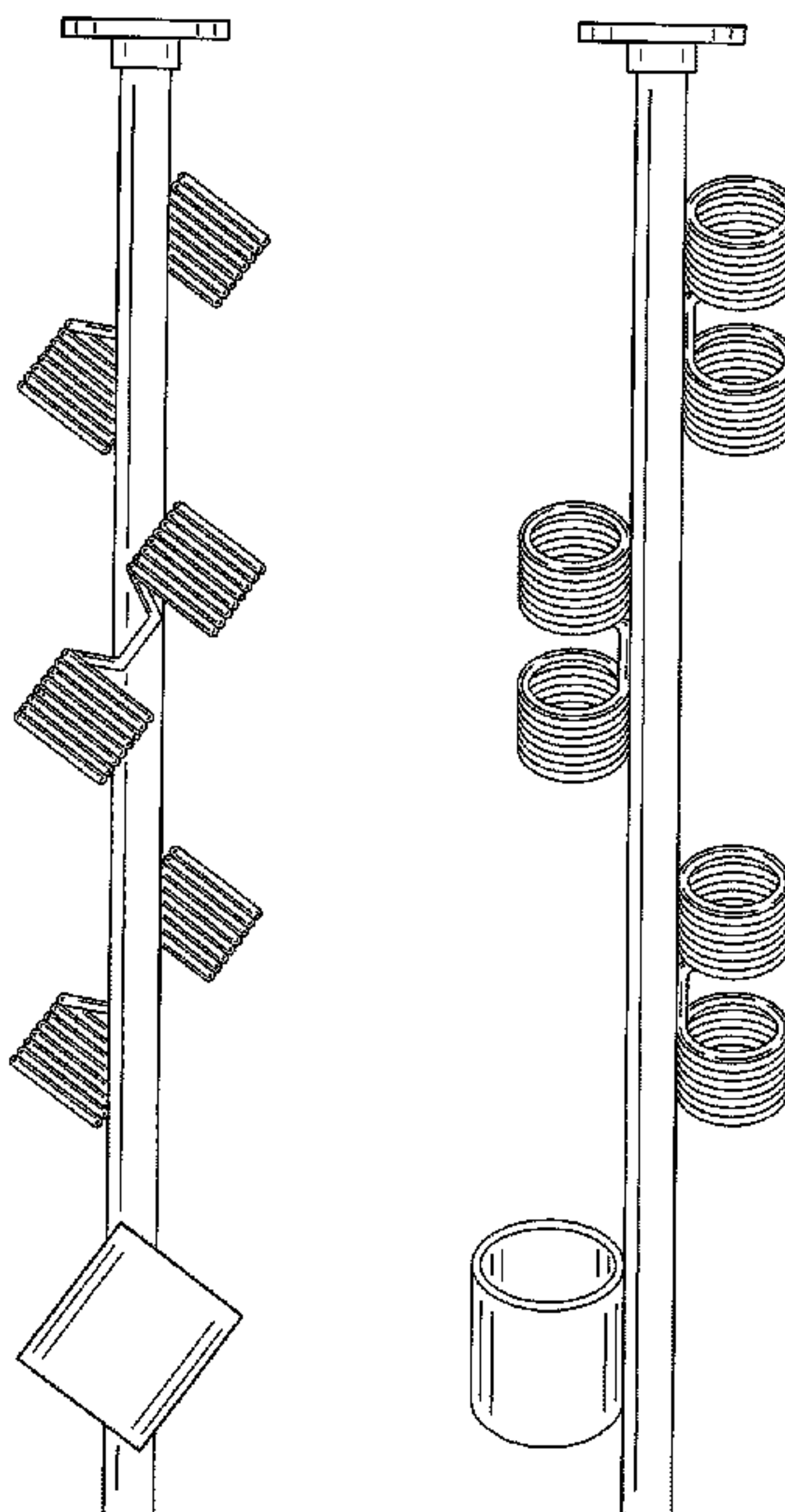
(57) **CLAIM**

The ornamental design for a hair styling implement holding apparatus, as shown and described.

DESCRIPTION

FIG. 1 is a front elevated view of a hair styling implement holding apparatus showing my new design;
FIG. 2 is a rear elevated view of the hair styling implement holding apparatus;
FIG. 3 is a right side elevated view of the hair styling implement holding apparatus;
FIG. 4 is a left side elevated view of the hair styling implement holding apparatus;
FIG. 5 is a top plan view of the hair styling implement holding apparatus; and,
FIG. 6 is a bottom plan view of the hair styling implement holding apparatus.

1 Claim, 3 Drawing Sheets



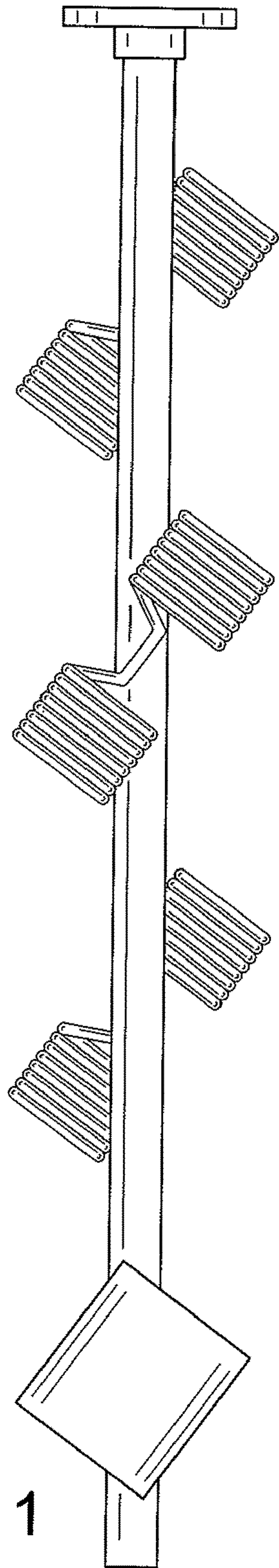


FIG. 1

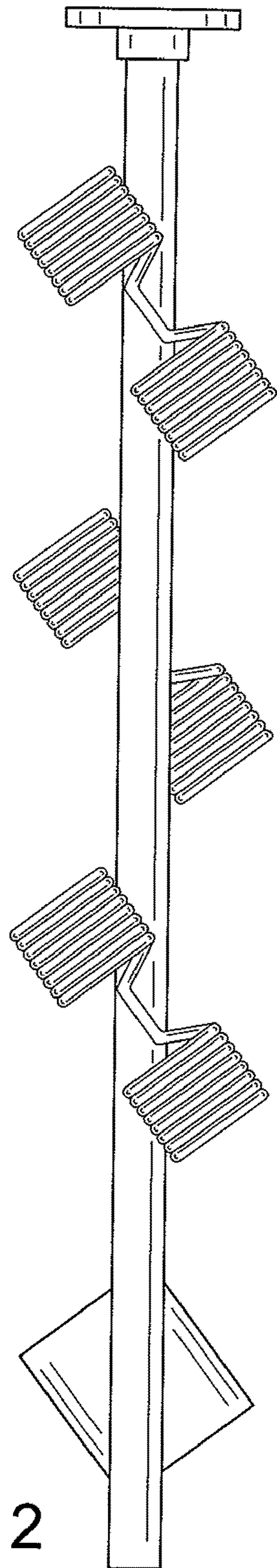


FIG. 2

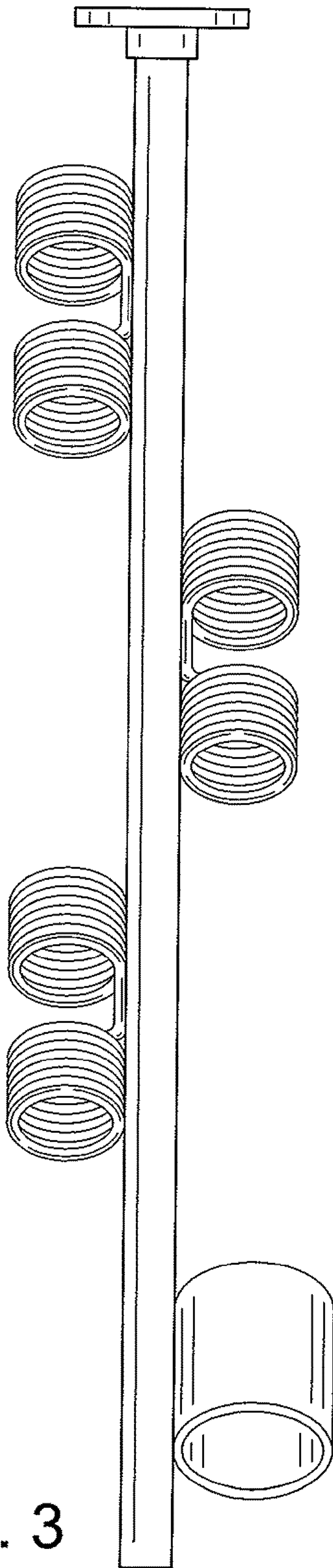


FIG. 3

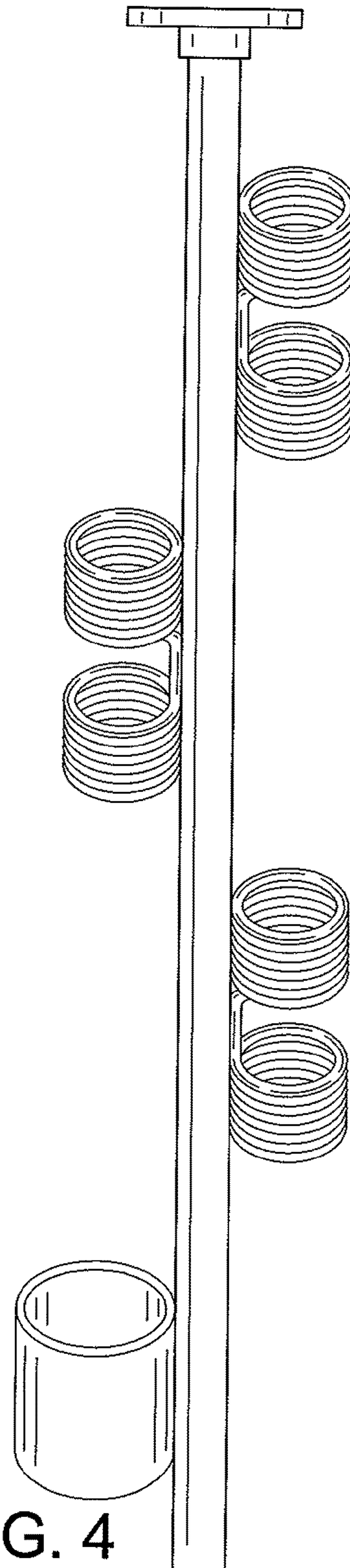


FIG. 4

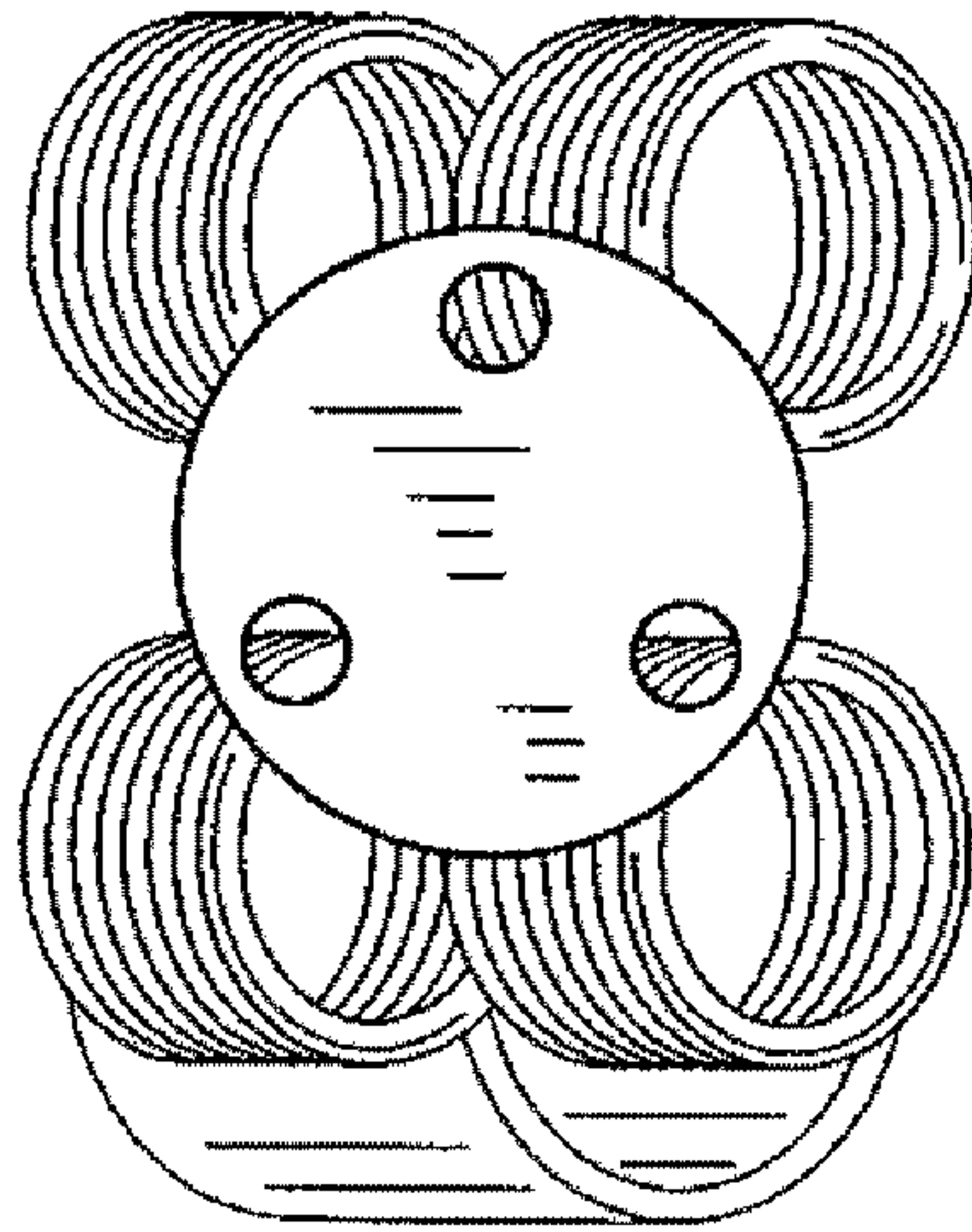


FIG. 5

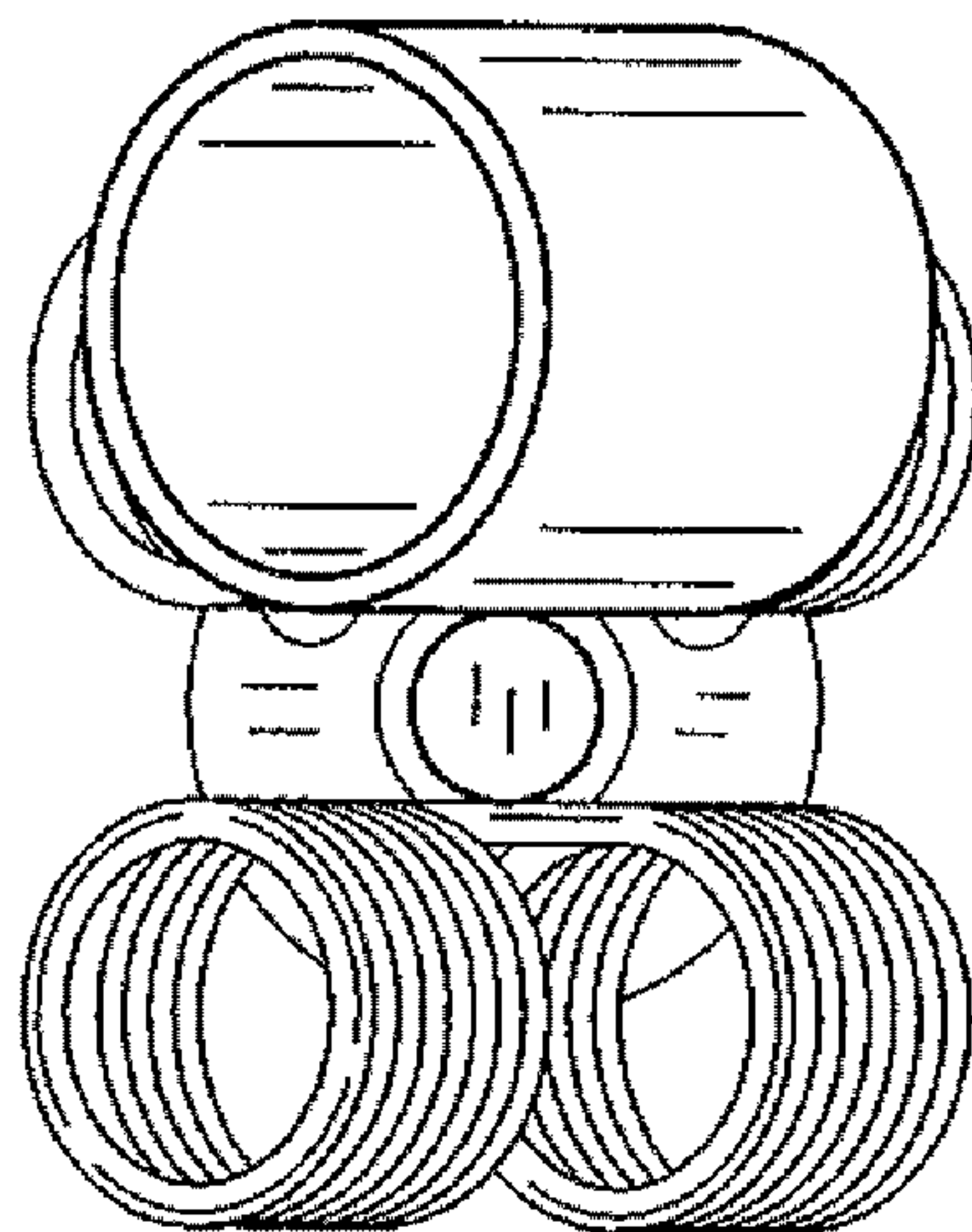


FIG. 6