



US00D640001S

(12) **United States Design Patent**
Limongi

(10) **Patent No.:** **US D640,001 S**
(45) **Date of Patent:** **** Jun. 14, 2011**

- (54) **APPLICATOR FOR COSMETICS**
- (75) Inventor: **Michel Limongi**, Clichy (FR)
- (73) Assignee: **Alcan Packaging Beauty Services**,
Gennevilliers (FR)
- (**) Term: **14 Years**
- (21) Appl. No.: **29/349,790**
- (22) Filed: **Apr. 29, 2010**
- (51) **LOC (9) Cl.** **28-02**
- (52) **U.S. Cl.** **D28/7**
- (58) **Field of Classification Search** D28/7,
D28/8, 20-22, 30-31, 76, 85, 99; 132/108,
132/202, 208, 317, 320; 401/202-207, 261-267;
D4/132-135; D24/119; D7/361, 395, 688
See application file for complete search history.

- D537,564 S * 2/2007 Montoli D28/7
- D538,975 S * 3/2007 Montoli D28/7
- D541,979 S * 5/2007 Montoli D28/7
- D544,644 S * 6/2007 Hartstock et al. D28/7
- D552,798 S * 10/2007 Py et al. D28/88
- D586,048 S * 2/2009 Hartstock et al. D28/76
- D591,903 S * 5/2009 Mongeon et al. D28/7
- D591,904 S * 5/2009 Mongeon et al. D28/7
- D601,299 S * 9/2009 Germany et al. D28/7

* cited by examiner

Primary Examiner — Zenia I Bennett

(74) *Attorney, Agent, or Firm* — Cooper & Dunham LLP

(56) **References Cited**

U.S. PATENT DOCUMENTS

- D280,351 S * 8/1985 Shay D28/57
- D307,331 S * 4/1990 Pflieger D28/7
- D527,143 S * 8/2006 Fischer D28/7
- D537,200 S * 2/2007 Montoli D28/7

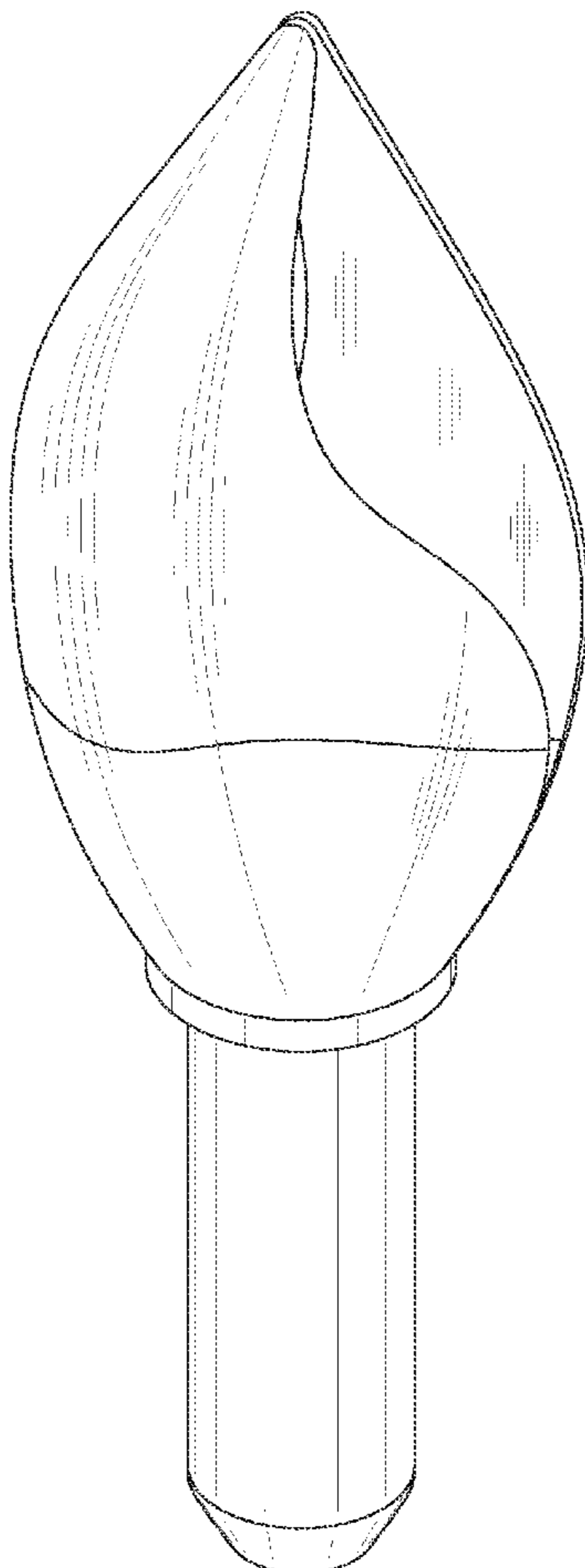
(57) **CLAIM**

The ornamental design for an applicator for cosmetics, as shown and described.

DESCRIPTION

FIG. 1 is a perspective view thereof;
 FIG. 2 is a rear view thereof;
 FIG. 3 is a right side view thereof;
 FIG. 4 is a bottom view thereof;
 FIG. 5 is a left side view thereof;
 FIG. 6 is a front view thereof; and,
 FIG. 7 is a top view thereof.

1 Claim, 3 Drawing Sheets



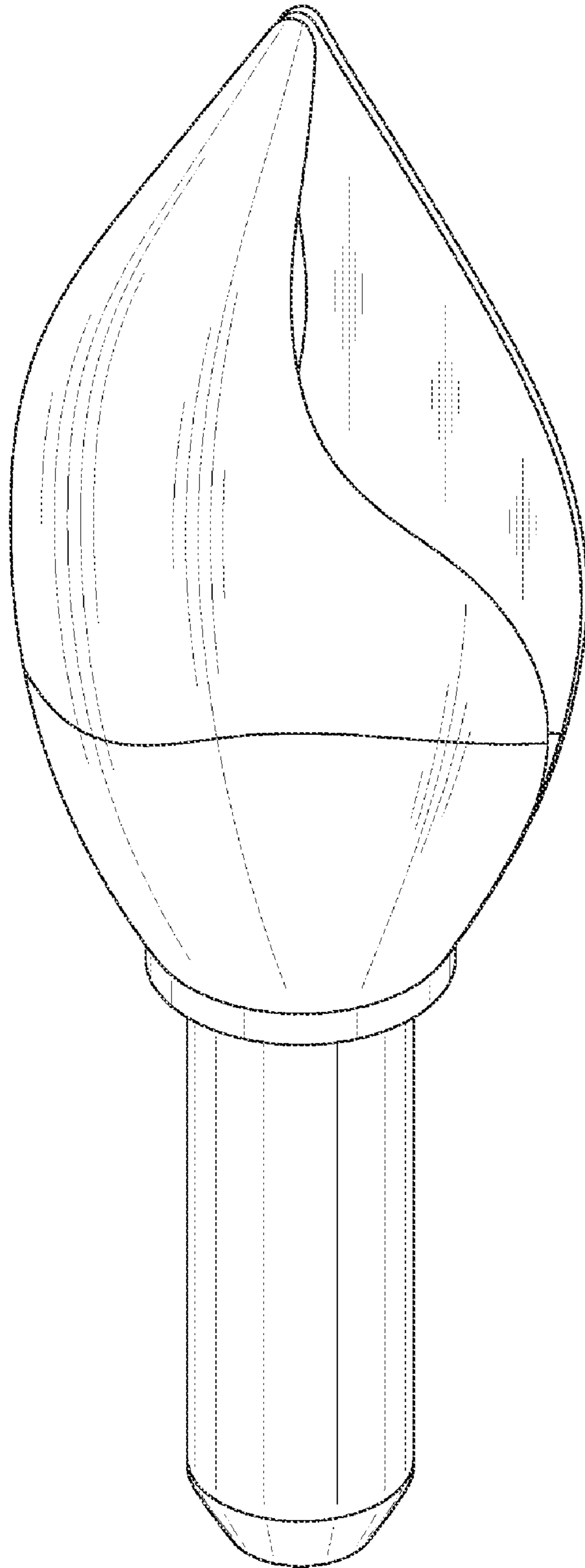


FIG. 1

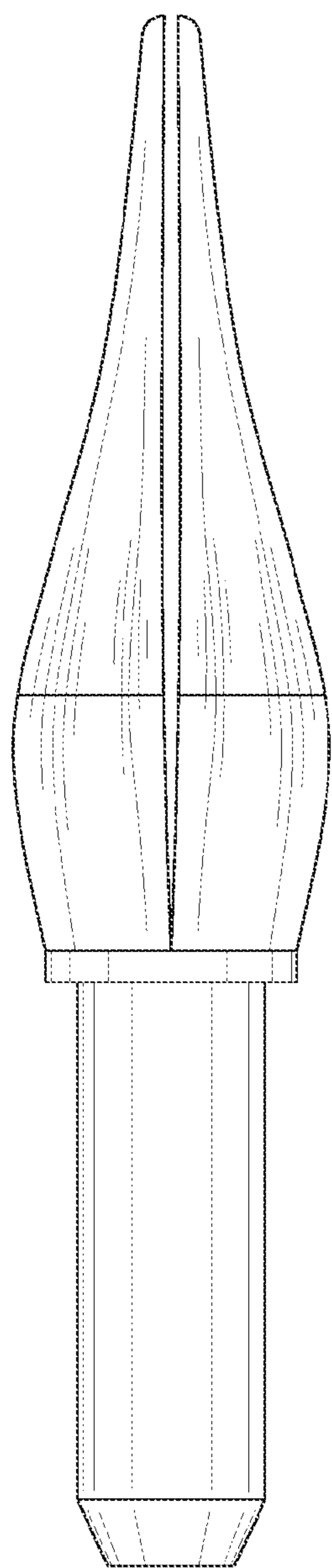


FIG. 2

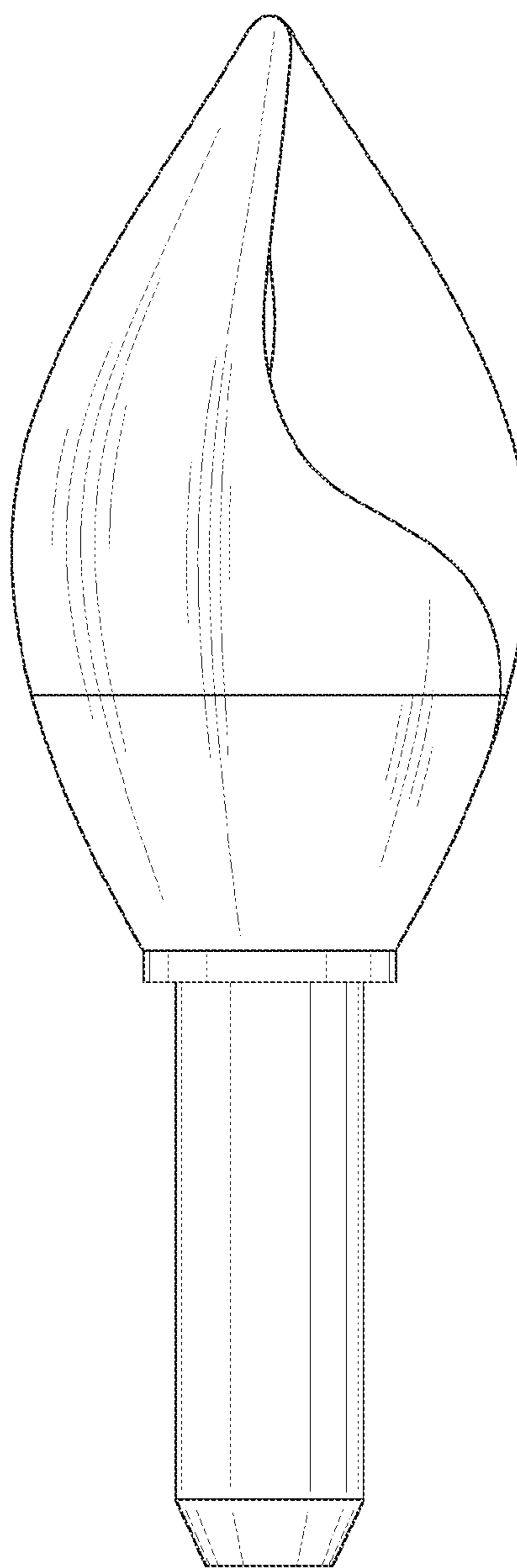


FIG. 3

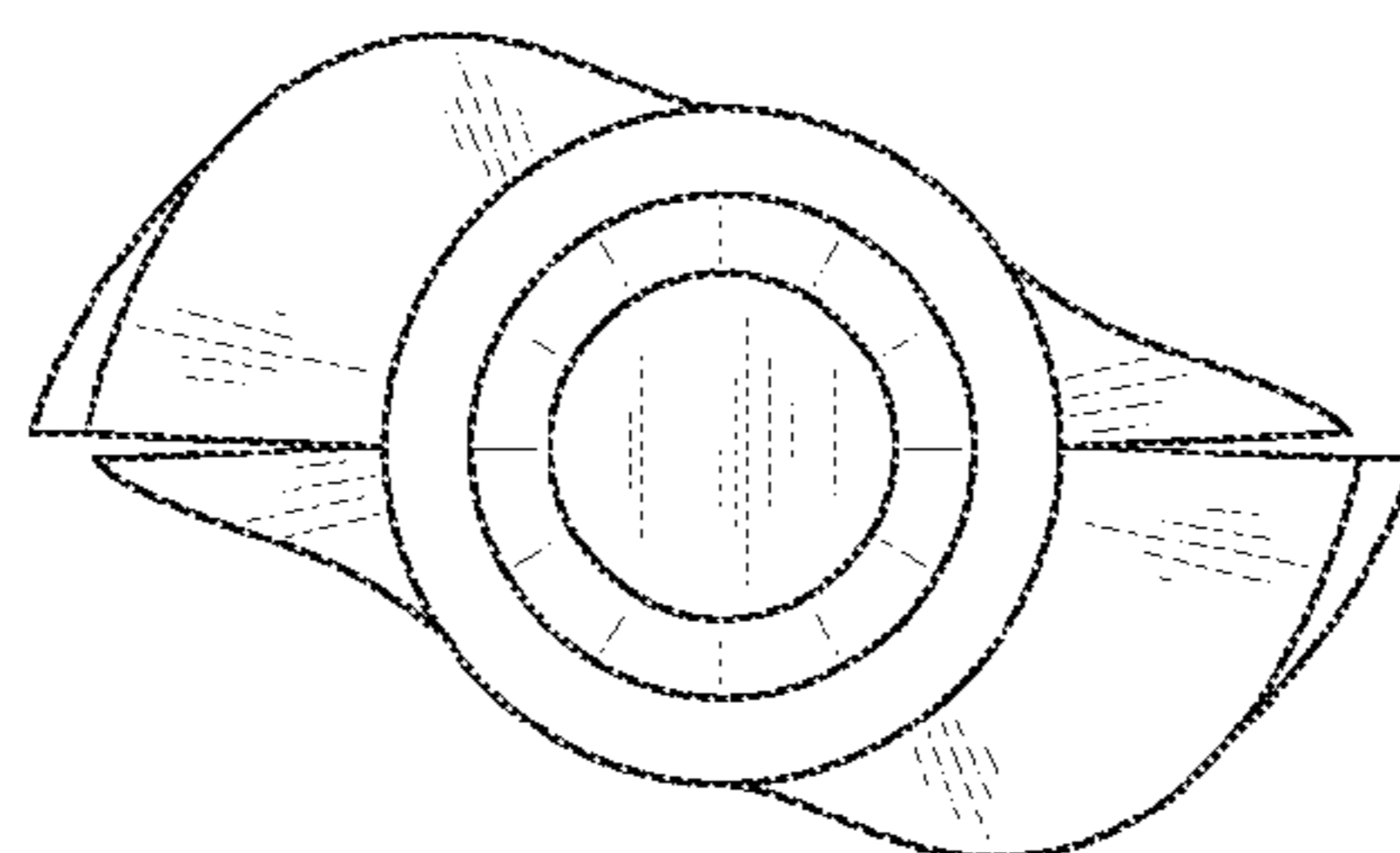


FIG. 4

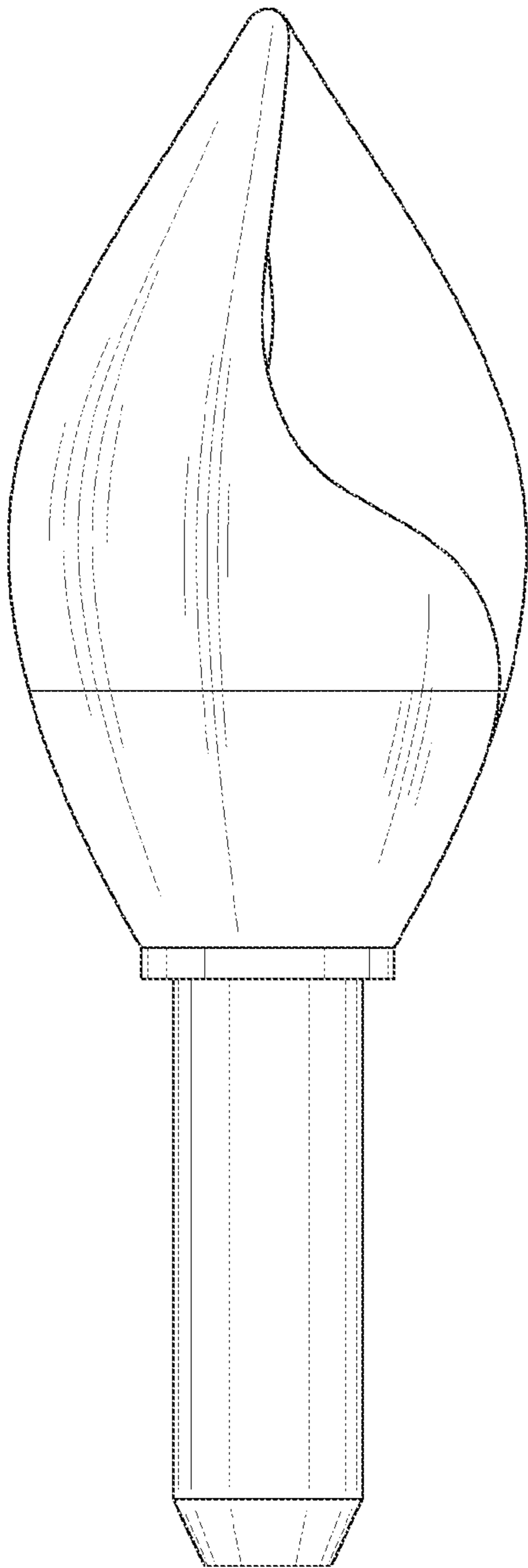


FIG. 5

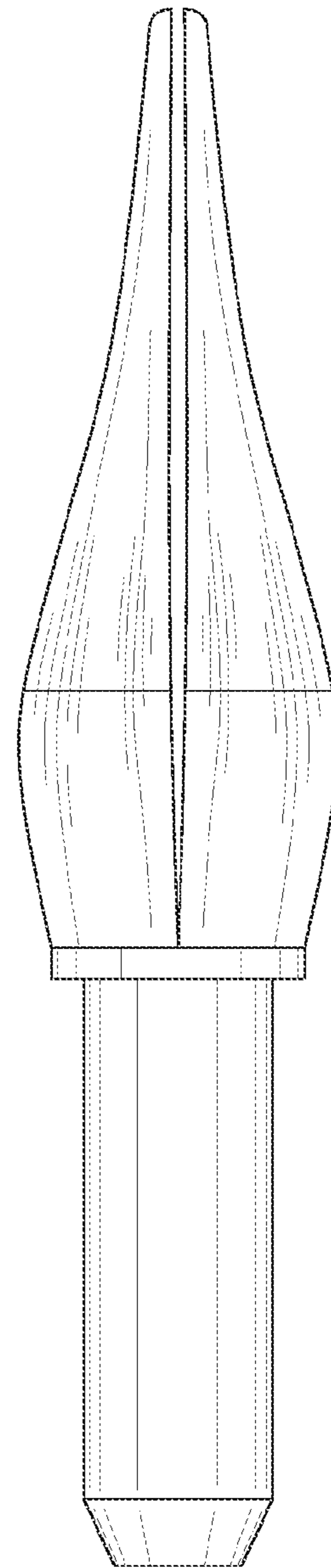


FIG. 6

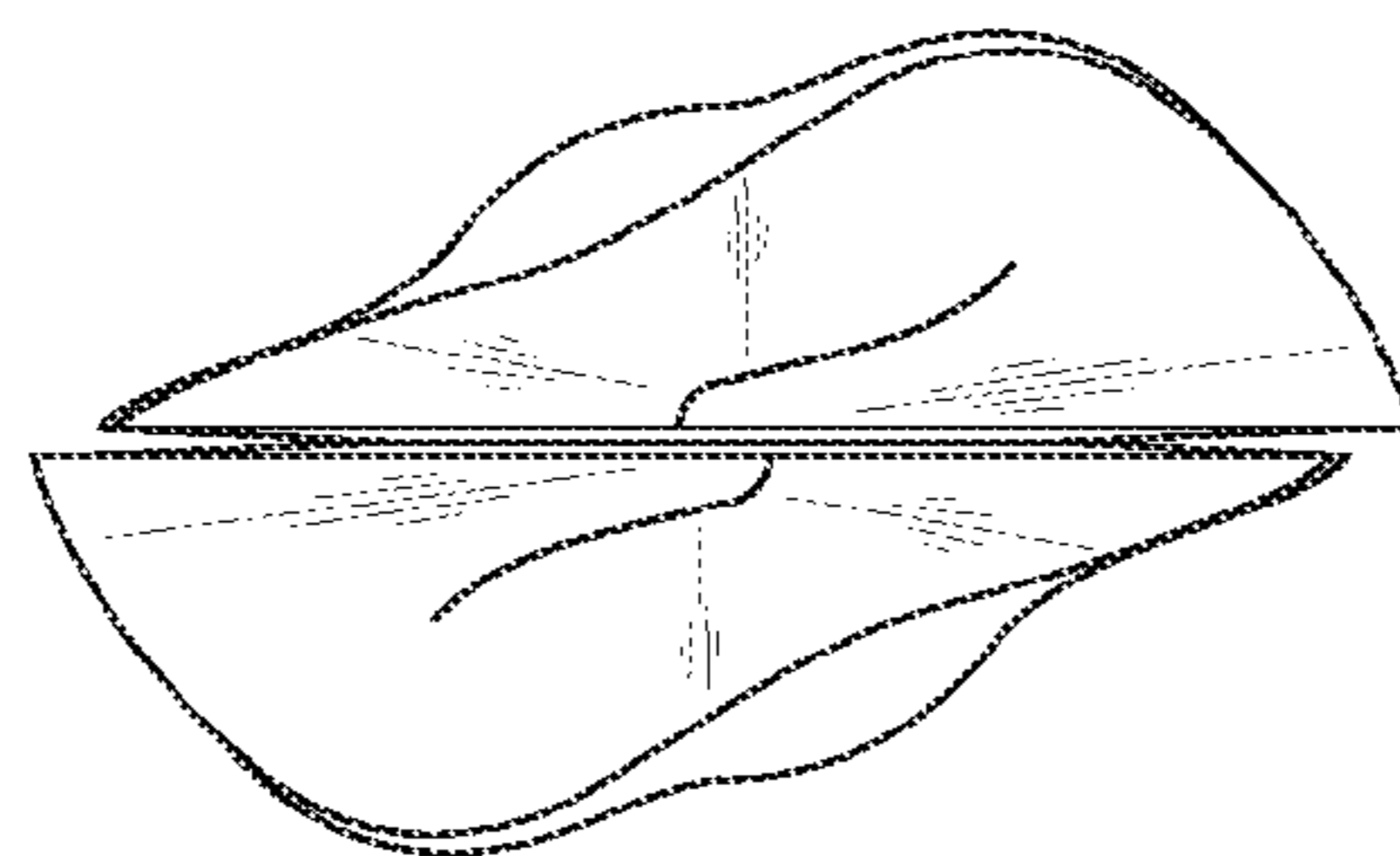


FIG. 7