



US00D63999S

(12) **United States Design Patent**
Limongi

(10) **Patent No.:** **US D639,999 S**

(45) **Date of Patent:** **** Jun. 14, 2011**

(54) **APPLICATOR FOR COSMETICS**

(75) Inventor: **Michel Limongi**, Clichy (FR)

(73) Assignee: **Alcan Packaging Beauty Services**,
Gennevilliers (FR)

(**) Term: **14 Years**

(21) Appl. No.: **29/349,781**

(22) Filed: **Apr. 29, 2010**

(51) **LOC (9) Cl.** **28-02**

(52) **U.S. Cl.** **D28/7**

(58) **Field of Classification Search** D28/7,
D28/8, 20-22, 30-31, 76, 85, 99; 132/108,
132/202, 208, 317, 320; 401/202-207, 261-267;
D4/132-135; D24/119; D7/361, 395, 688
See application file for complete search history.

(56) **References Cited**

U.S. PATENT DOCUMENTS

D280,351 S *	8/1985	Shay	D28/57
D307,331 S *	4/1990	Pfleger	D28/7
D527,143 S *	8/2006	Fischer	D28/7
D537,200 S *	2/2007	Montoli	D28/7

D537,564 S *	2/2007	Montoli	D28/7
D538,975 S *	3/2007	Montoli	D28/7
D541,979 S *	5/2007	Montoli	D28/7
D544,644 S *	6/2007	Hartstock et al.	D28/7
D552,798 S *	10/2007	Py et al.	D28/88
D586,048 S *	2/2009	Hartstock et al.	D28/76
D591,903 S *	5/2009	Mongeon et al.	D28/7
D591,904 S *	5/2009	Mongeon et al.	D28/7
D601,299 S *	9/2009	Germany et al.	D28/7

* cited by examiner

Primary Examiner — Zenia I Bennett

(74) *Attorney, Agent, or Firm* — Cooper & Dunham LLP

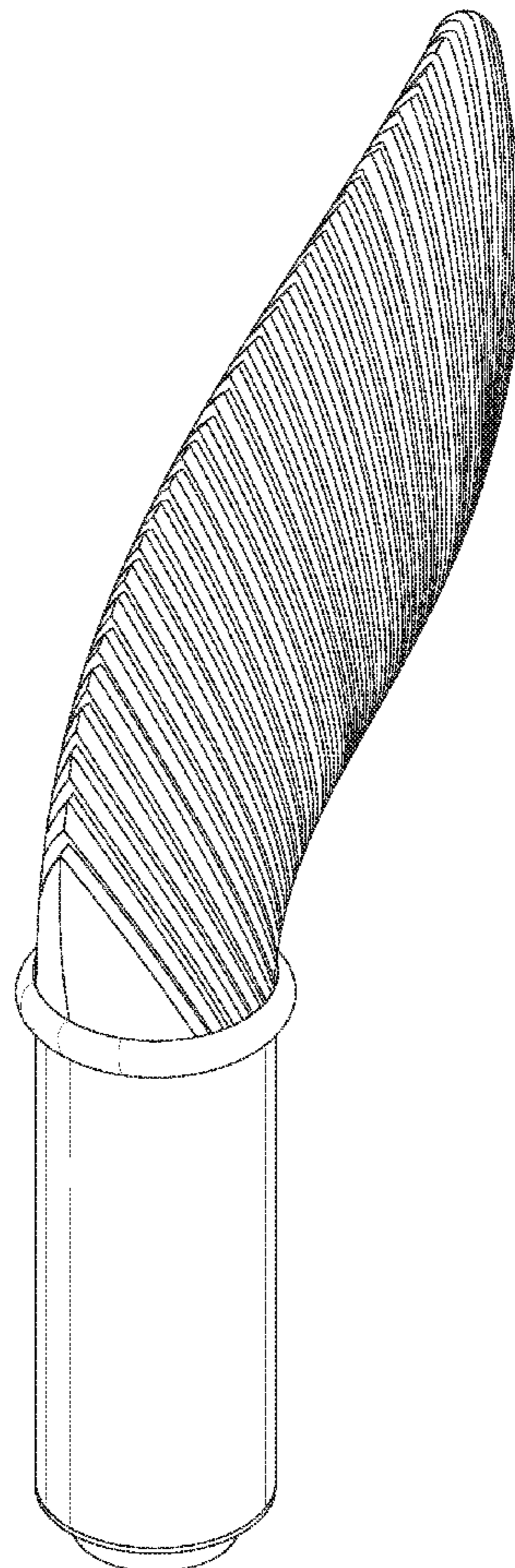
(57) **CLAIM**

The ornamental design for an applicator for cosmetics, as shown and described.

DESCRIPTION

FIG. 1 is a perspective view thereof;
FIG. 2 is a rear view thereof;
FIG. 3 is a right side view thereof;
FIG. 4 is an enlarged bottom view thereof;
FIG. 5 is a left side view thereof;
FIG. 6 is a front view thereof; and,
FIG. 7 is an enlarged top view thereof.

1 Claim, 4 Drawing Sheets



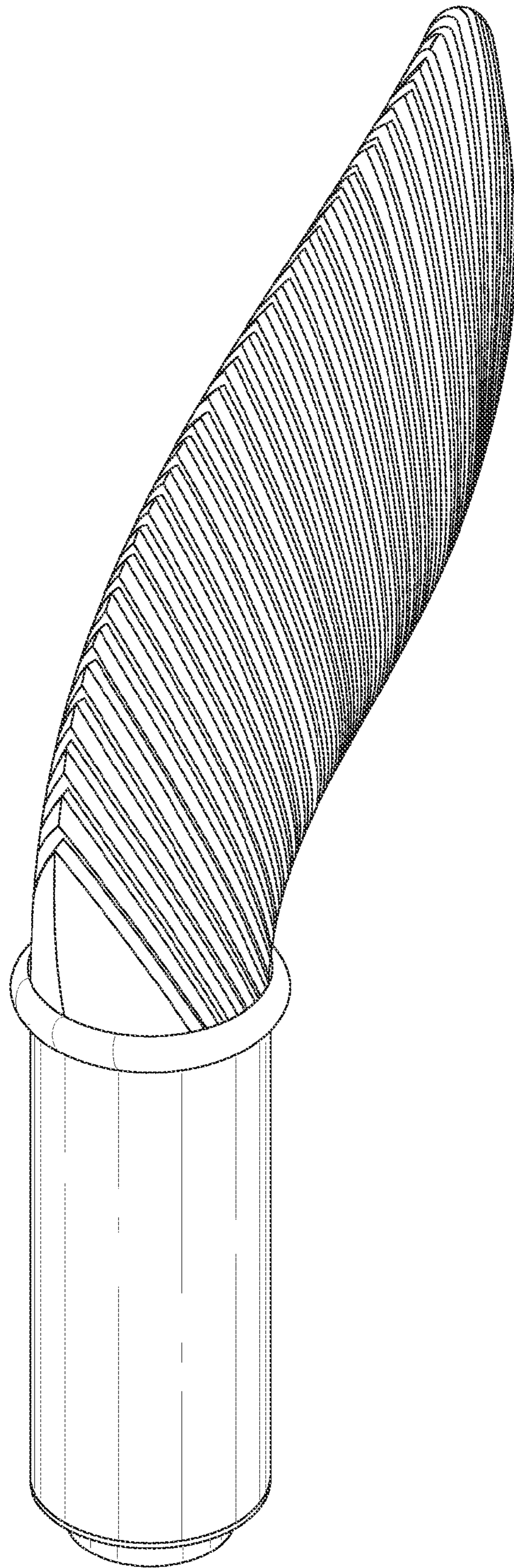


FIG. 1

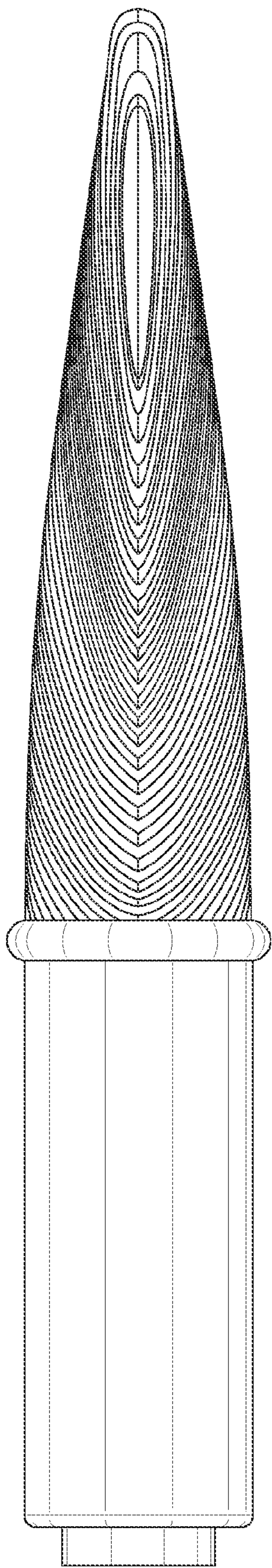


FIG. 2

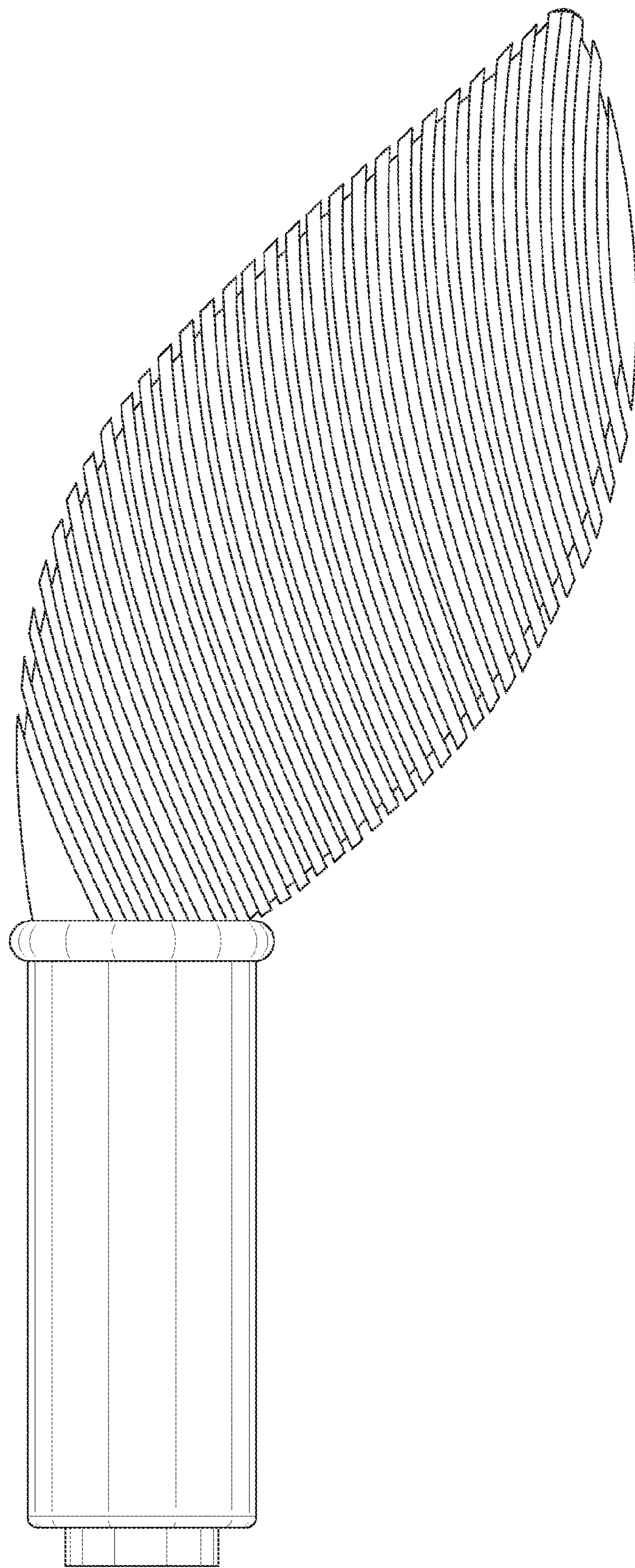


FIG. 3

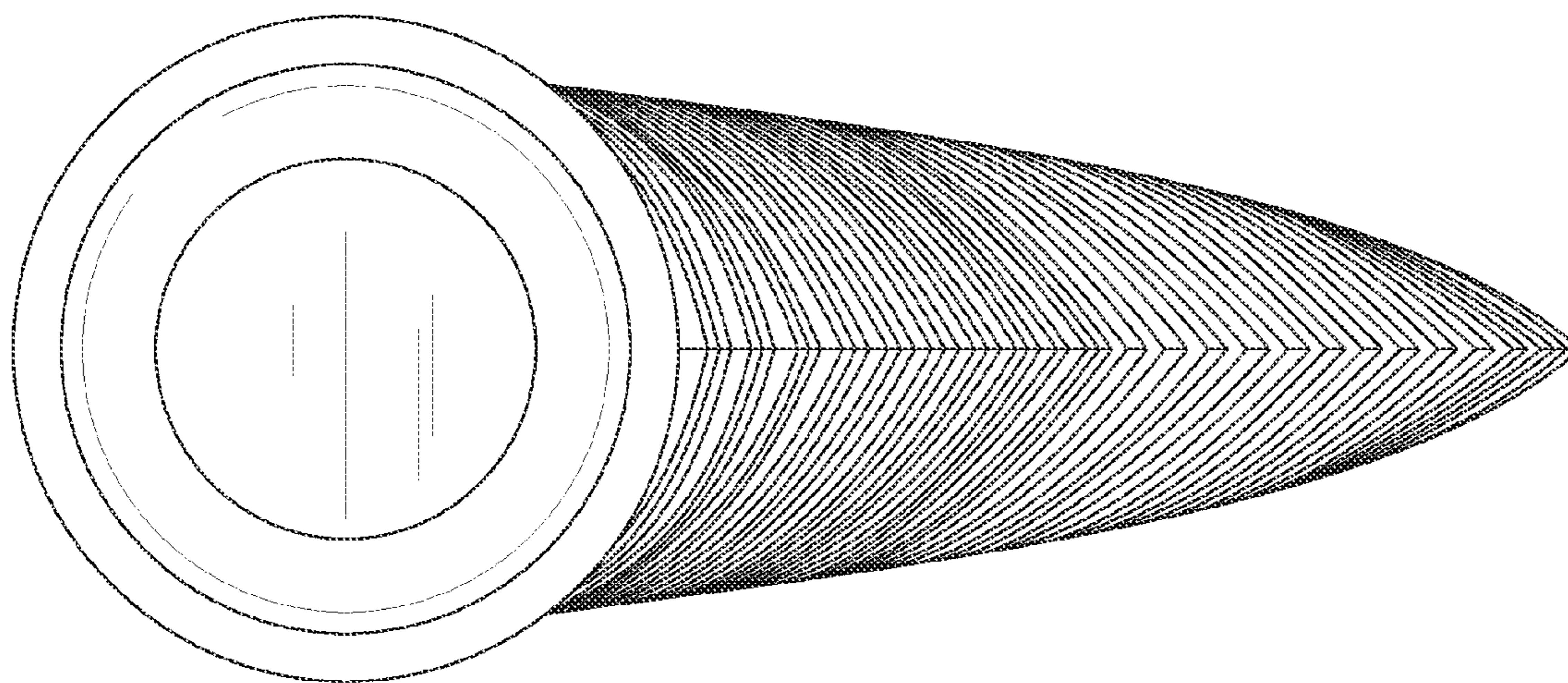


FIG. 4

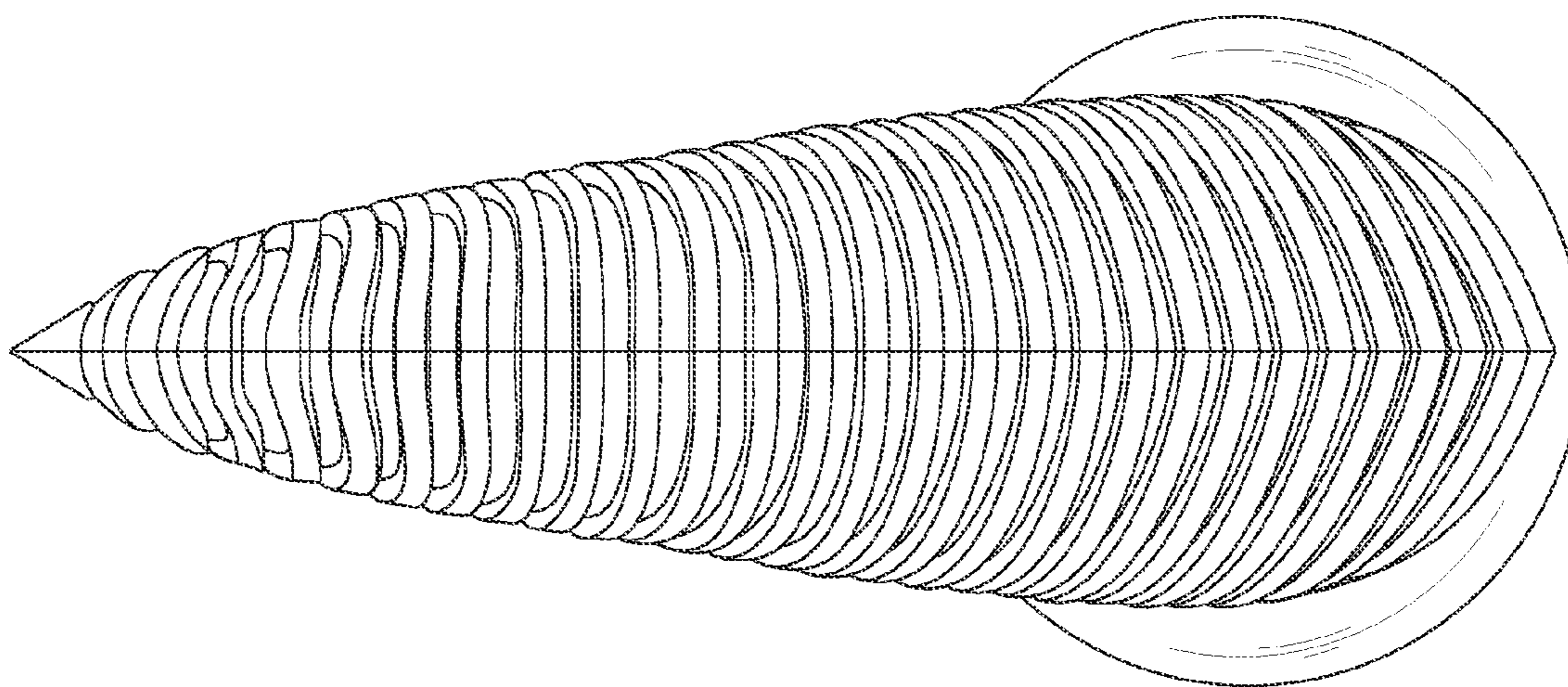


FIG. 7

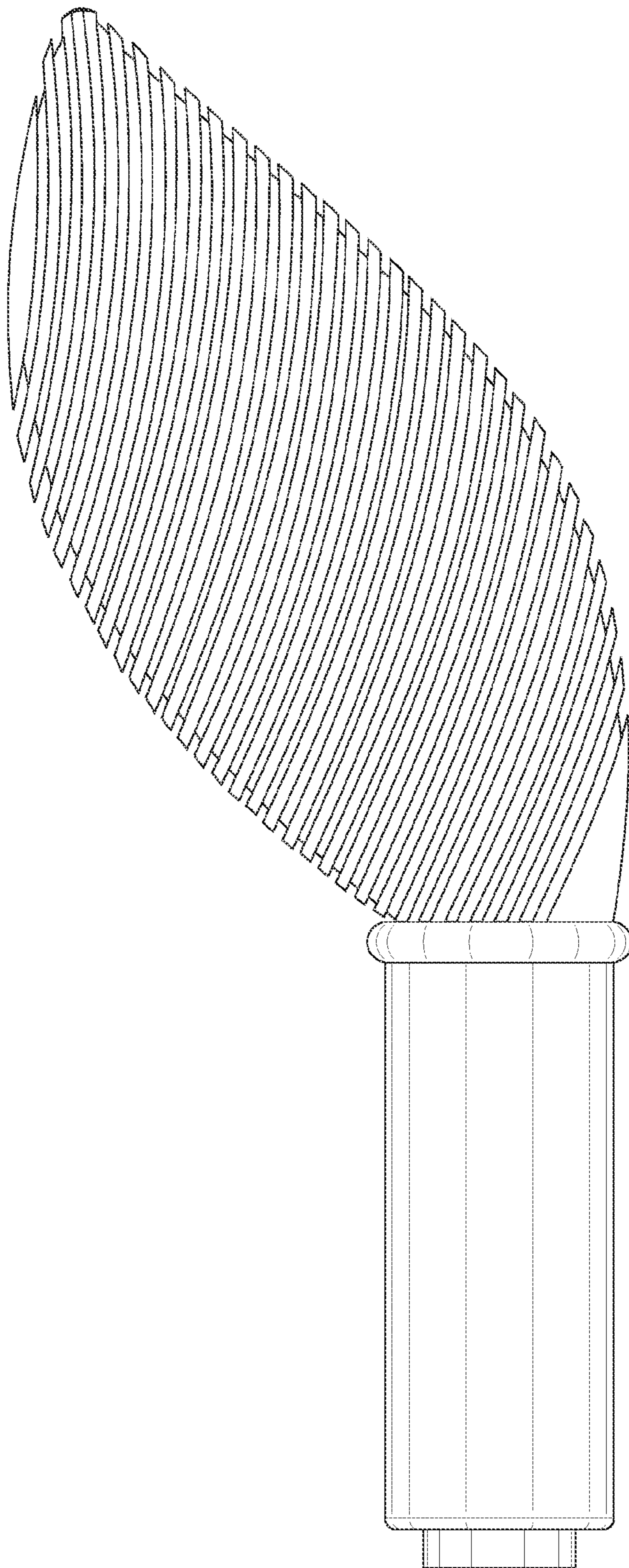


FIG. 5

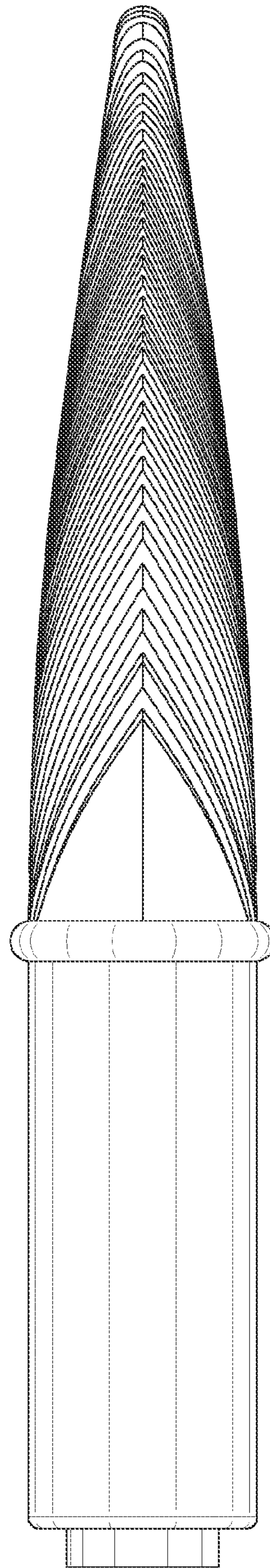


FIG. 6